



US00D988857S

(12) **United States Design Patent** (10) **Patent No.:** **US D988,857 S**
Wang (45) **Date of Patent:** **** Jun. 13, 2023**

(54) **MOUNTING BRACKET**
(71) Applicant: **Youshi Wang**, Jinjiang (CN)
(72) Inventor: **Youshi Wang**, Jinjiang (CN)
(73) Assignee: **Youshi Wang**, Jinjiang (CN)
(**) Term: **15 Years**

D383,050 S * 9/1997 Palmer D8/354
D391,218 S * 2/1998 Pingel D12/114
D447,532 S * 9/2001 Keng D22/110
D708,053 S * 7/2014 Marini D8/394
D812,450 S * 3/2018 Cornelius D8/349
D915,949 S * 4/2021 Mendez D12/114
D924,468 S * 7/2021 Huang D26/138

(21) Appl. No.: **29/760,634**
(22) Filed: **Dec. 2, 2020**
(51) **LOC (14) Cl.** **08-08**
(52) **U.S. Cl.**
USPC **D8/394**
(58) **Field of Classification Search**
USPC D8/71, 349, 354, 355, 380, 381;
D25/133; D15/5, 17, 28, 72, 78, 89, 138;
D13/118, 154, 173; D20/8; D26/113;
D6/572, 328, 702, 580; D12/20, 42, 317,
D12/345, 106, 114, 133, 172, 177, 223,
D12/420; D10/74, 80, 94, 103, 121;
D14/432, 483, 217; D23/206, 249, 303,
D23/322, 386, 393; D24/128, 184, 127
CPC ... A47F 5/08; A47B 96/028; B60G 2206/601;
B60G 2204/4305; B60G 2204/4306;
E04H 17/135; E06C 7/083; F21S 8/036;
F21S 8/043; H04N 2201/02485
See application file for complete search history.

OTHER PUBLICATIONS

Audak Aluminum Mounting Bracket, posted Jan. 6, 2020 [online], [retrieved Dec. 28, 2022]. Retrieved from internet, https://www.amazon.com/Audak-Aluminum-Mounting-Horizontal-Adjustable/dp/B083JSVZ1V/ref=asc_df_B083JSVZ1V/?tag=&linkCode=df0&hvadid=%E2%80%A6 (Year: 2020).*

* cited by examiner

Primary Examiner — Calvin E Vansant
Assistant Examiner — Benjamin L. Gray
(74) *Attorney, Agent, or Firm* — Nitin Kaushik

(57) **CLAIM**

The ornamental design for a mounting bracket, as shown and described.

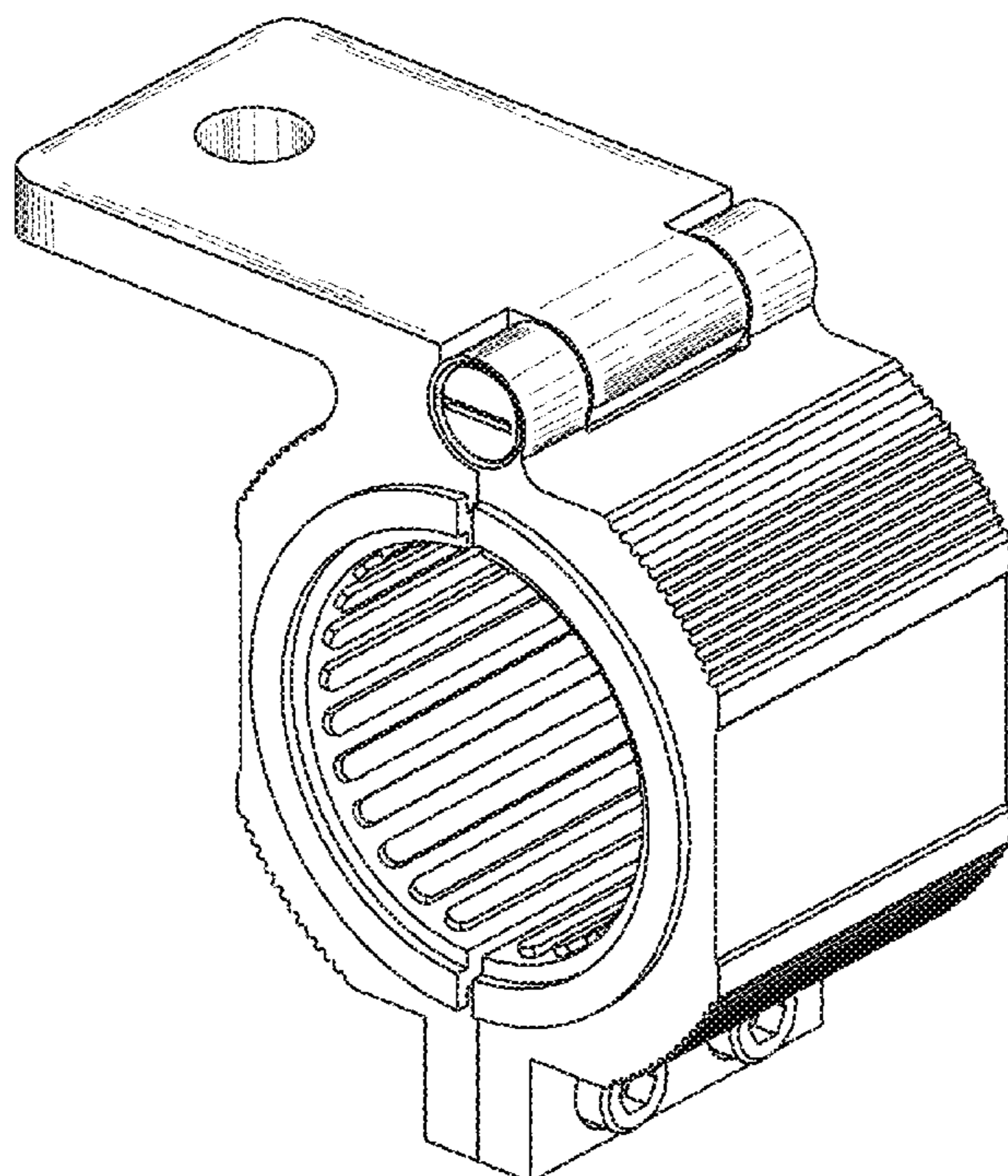
DESCRIPTION

FIG. 1 is a perspective view of a mounting bracket showing my new design;
FIG. 2 is another perspective view thereof;
FIG. 3 is a right side elevational view thereof;
FIG. 4 is a left side elevational view thereof;
FIG. 5 is a rear elevational view thereof;
FIG. 6 is a front elevational view thereof;
FIG. 7 is a top plan view thereof; and,
FIG. 8 is a bottom plan view thereof.

(56) **References Cited**
U.S. PATENT DOCUMENTS

D251,671 S * 4/1979 Bechtel D22/110
D308,116 S * 5/1990 Vandergriff D8/396

1 Claim, 8 Drawing Sheets



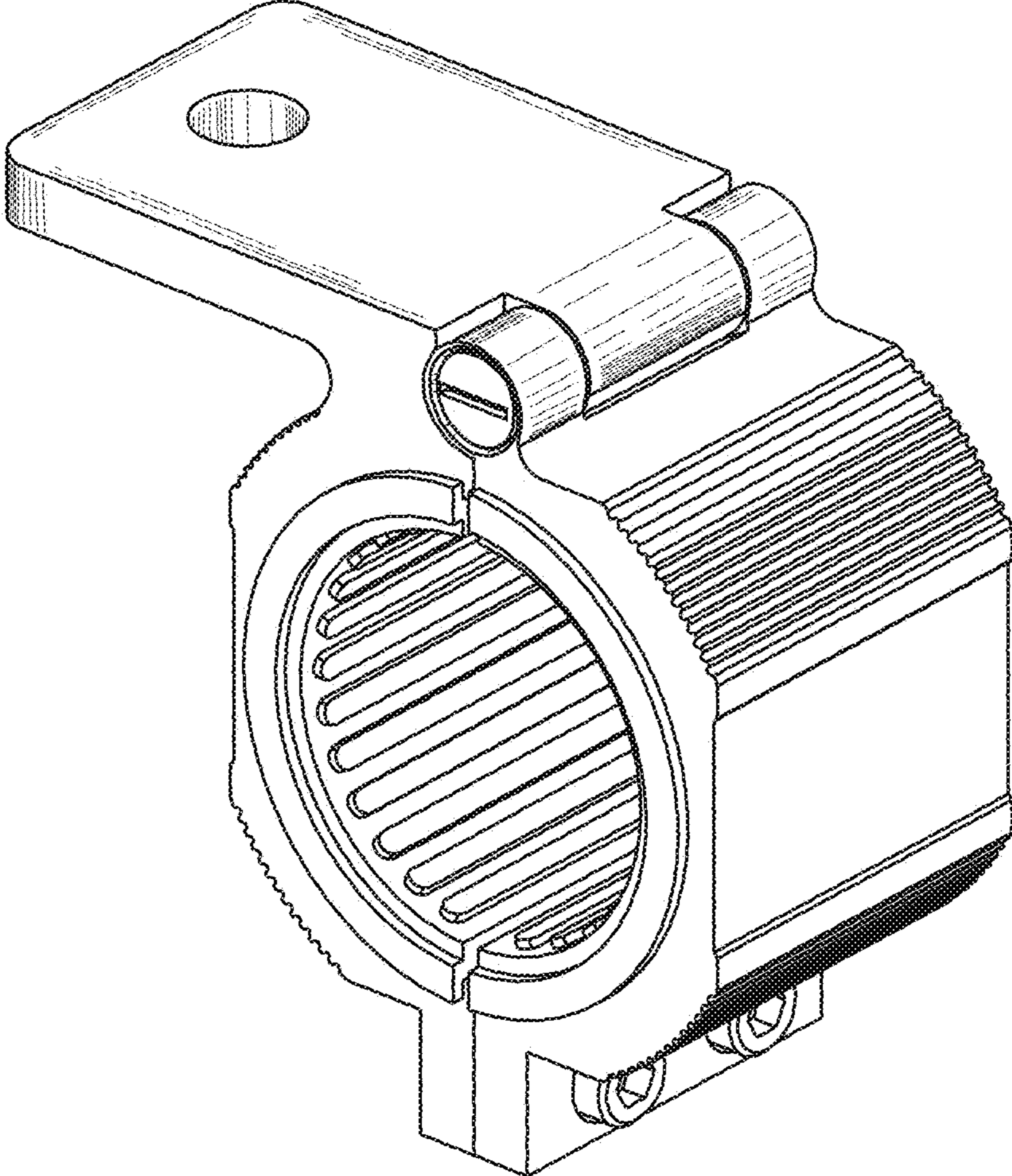


Fig. 1

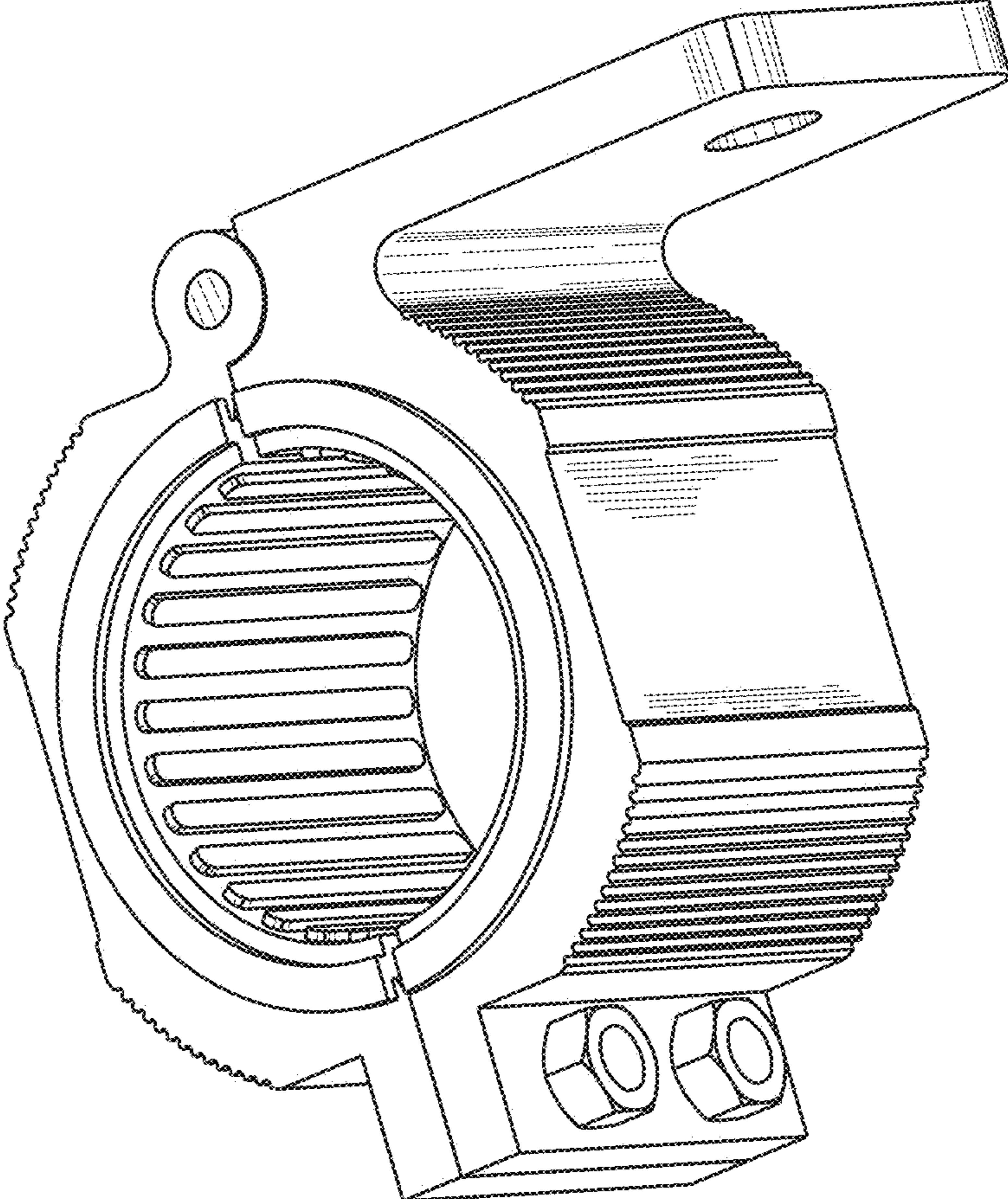


Fig.2

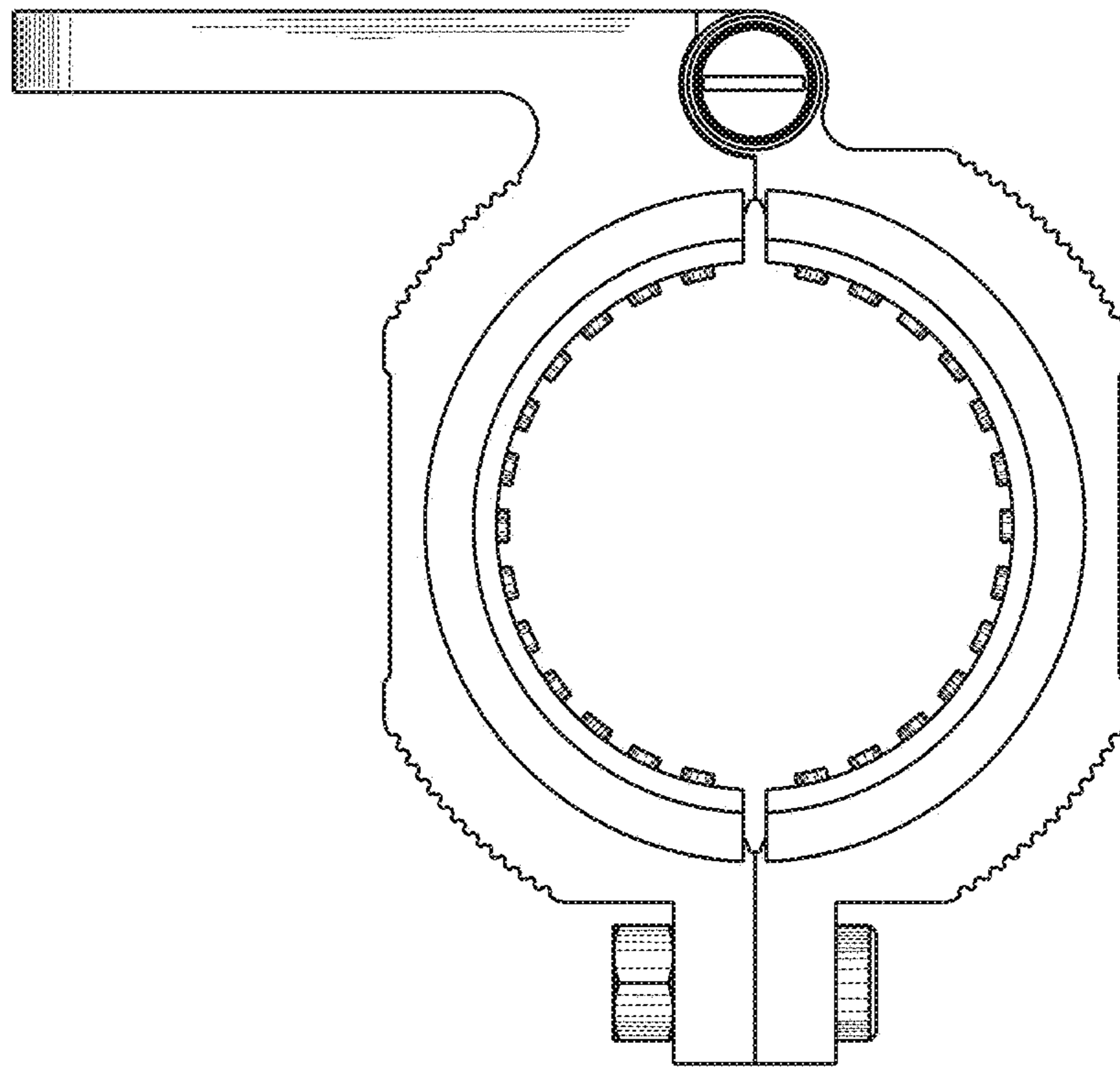


Fig. 3

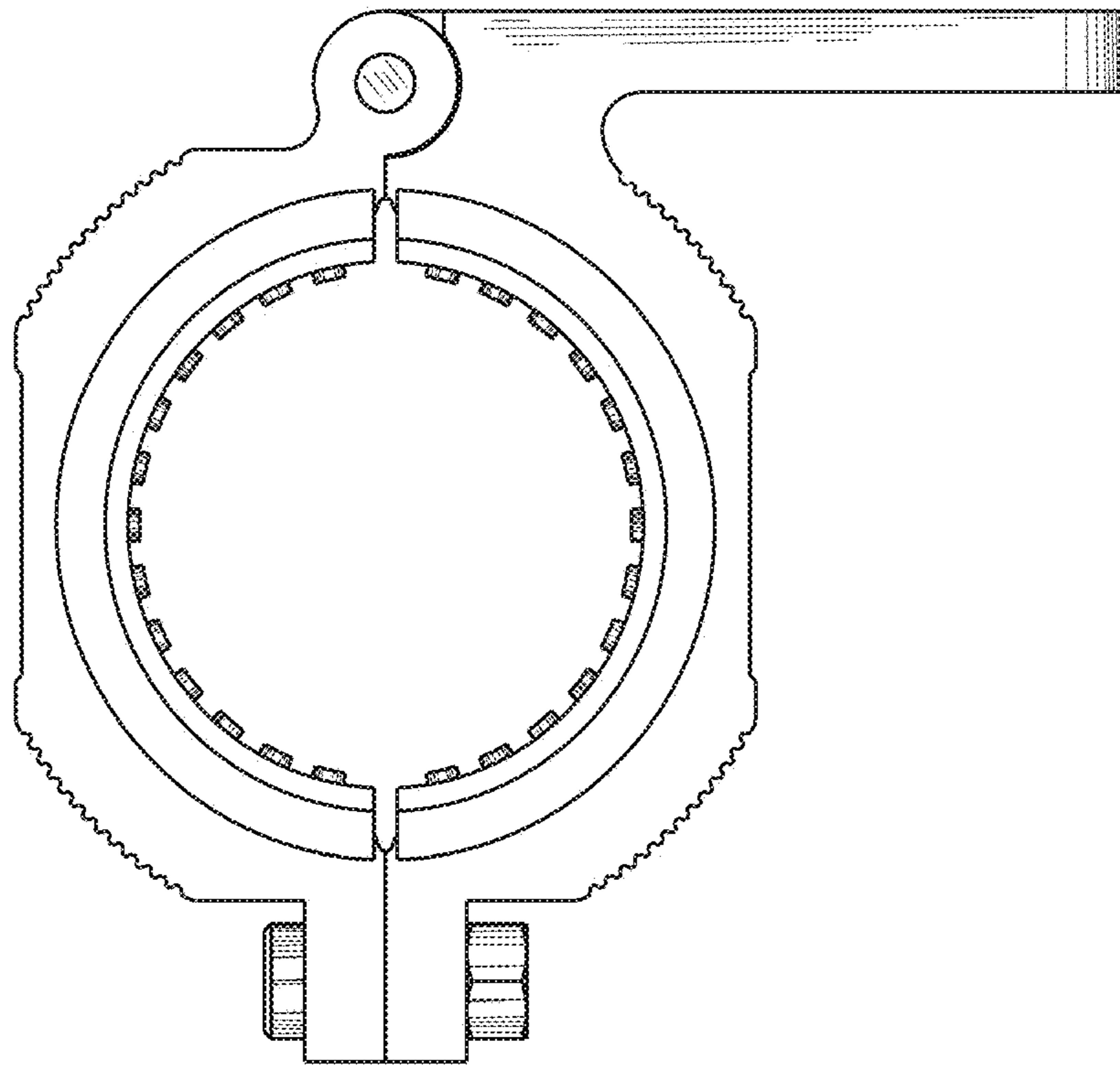


Fig. 4

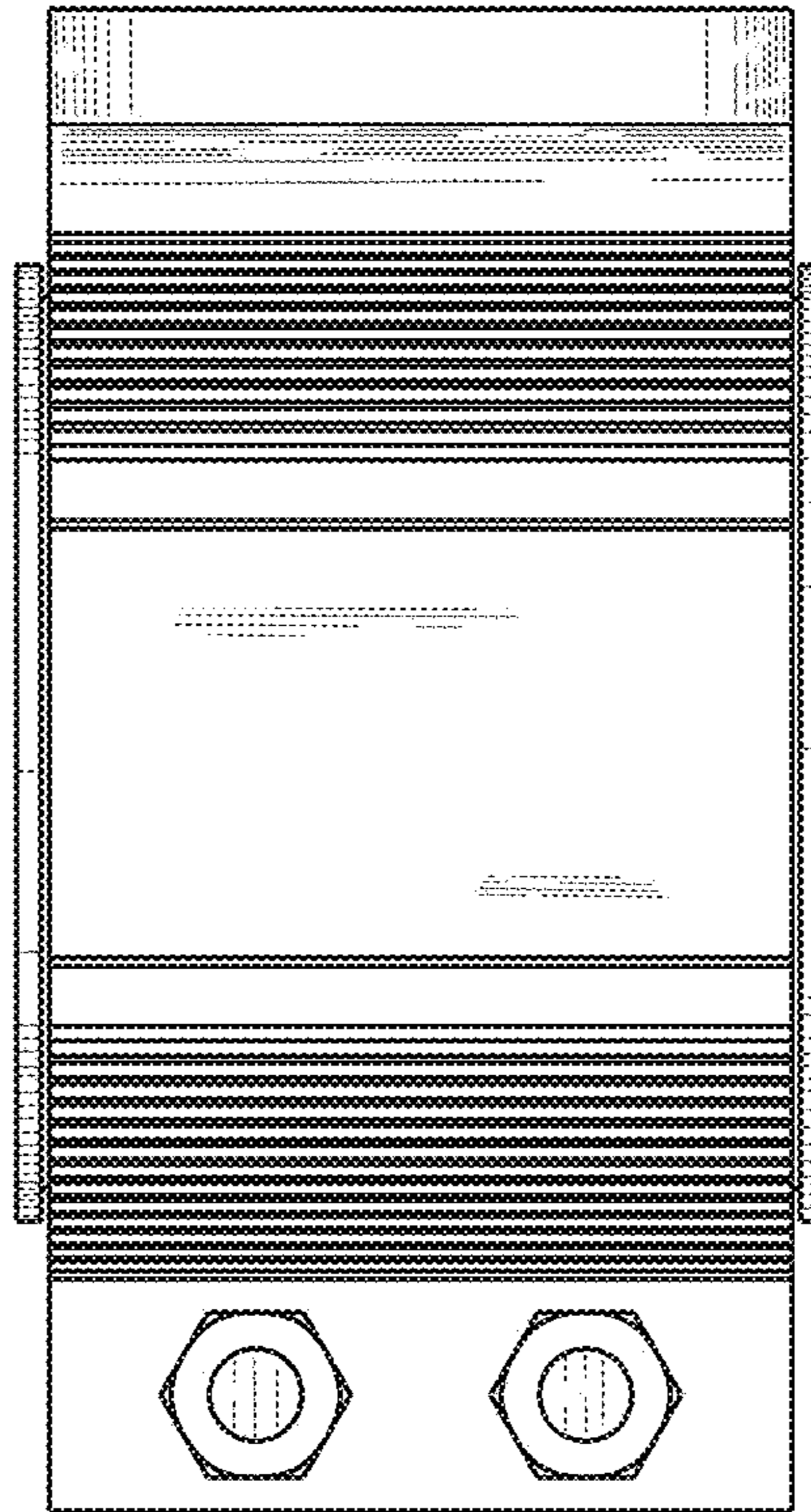


Fig. 5

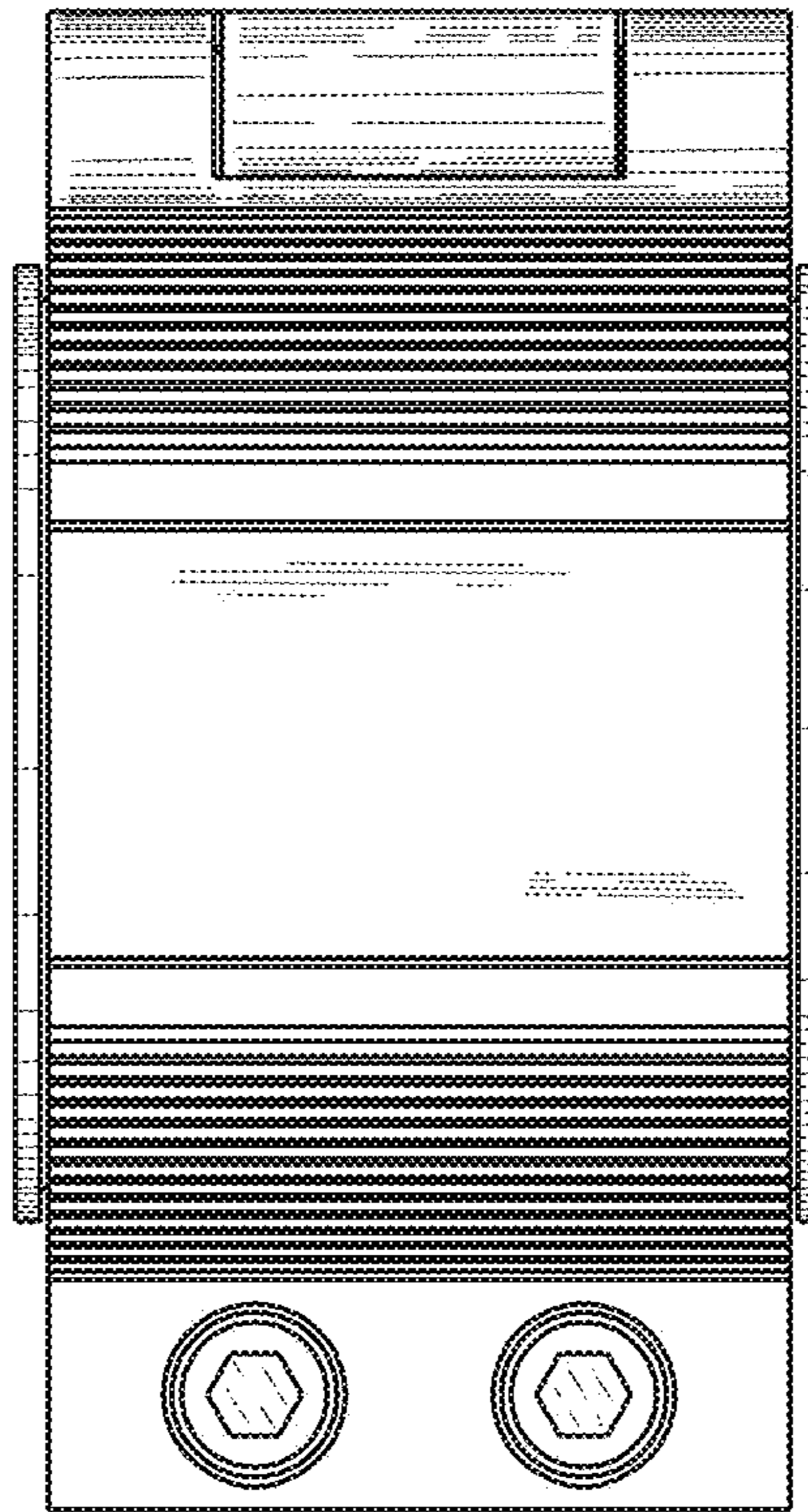


Fig. 6

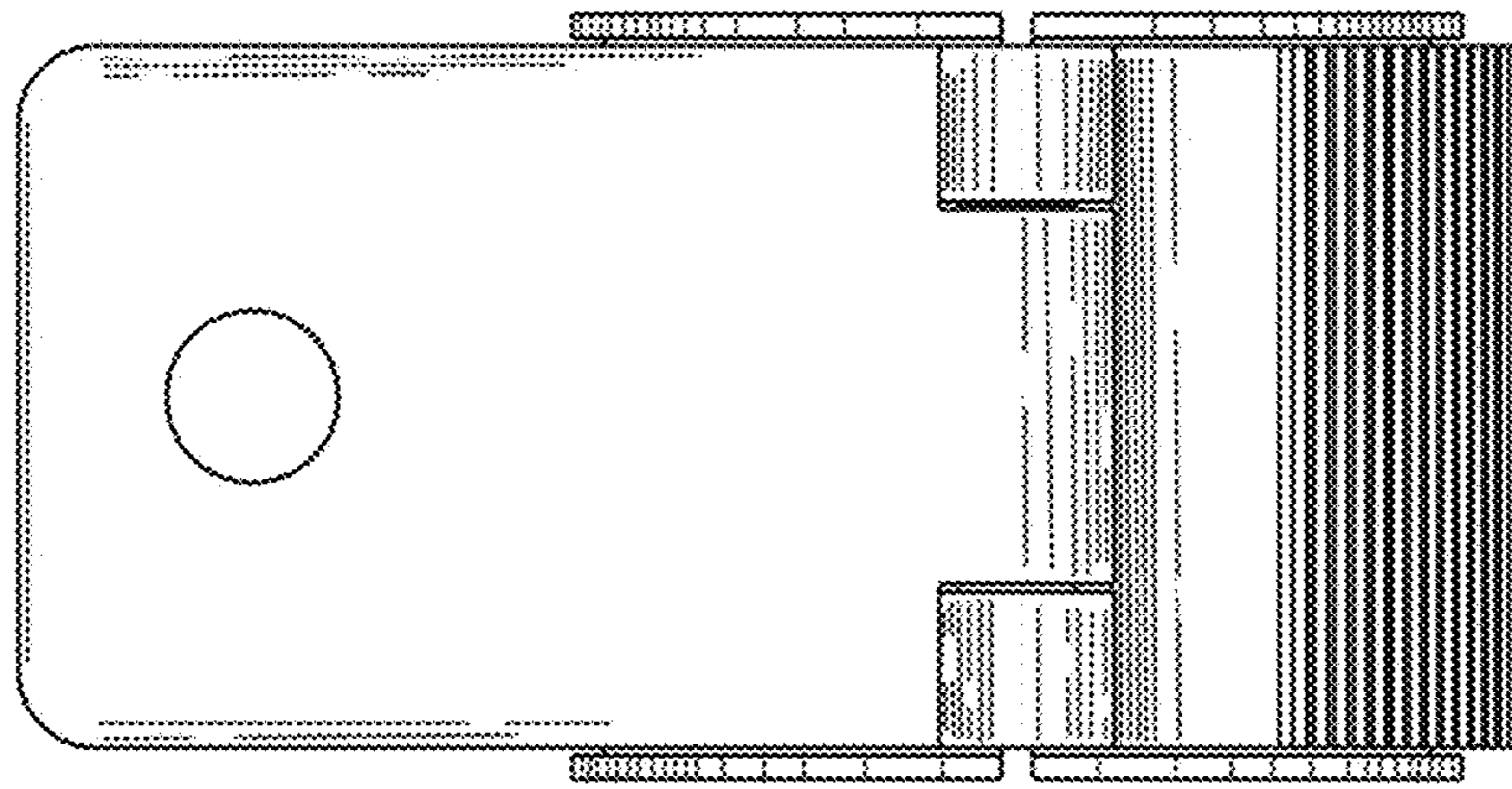


Fig. 7

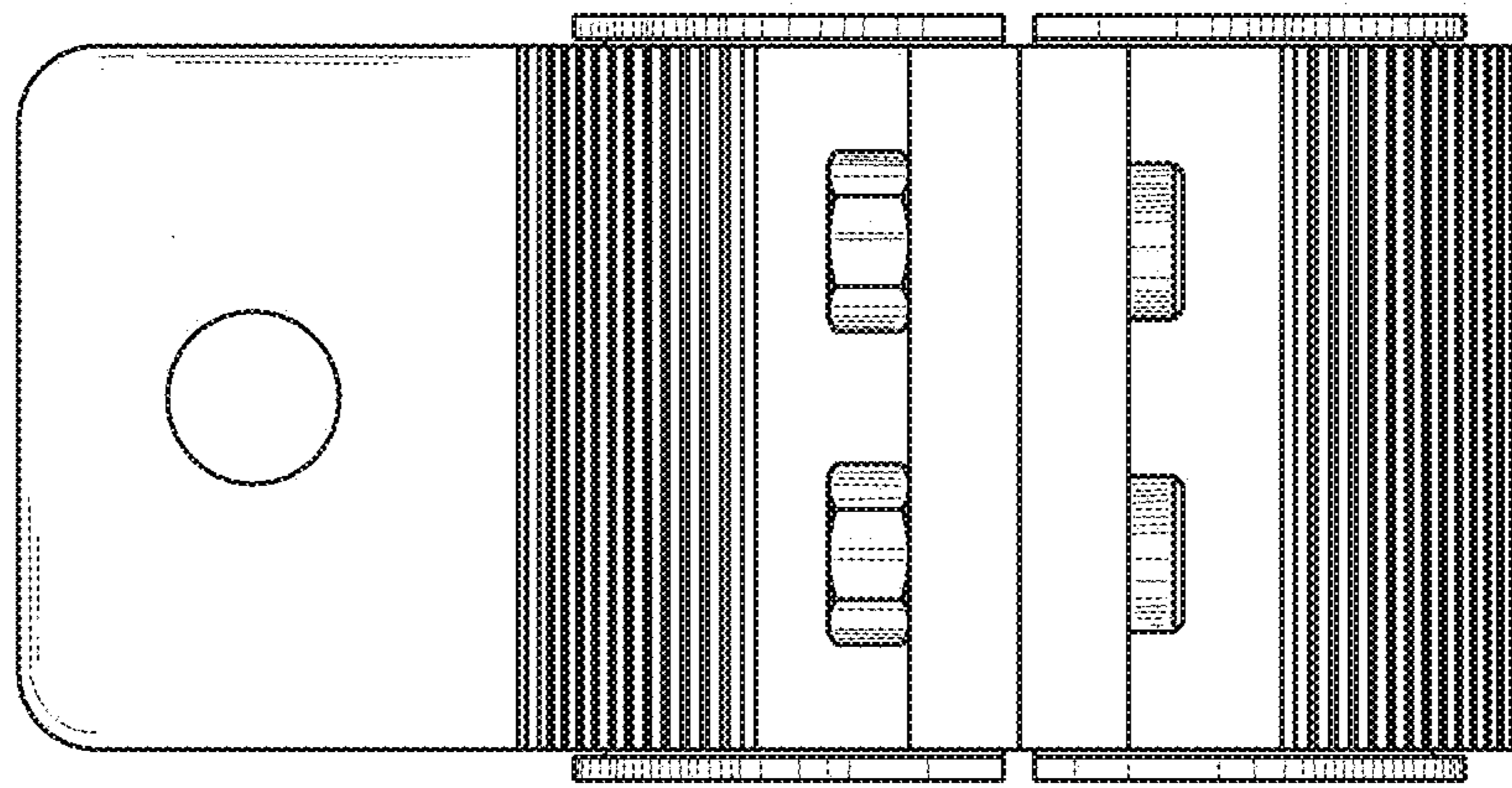


Fig. 8