



US00D988856S

(12) **United States Design Patent** (10) **Patent No.:** **US D988,856 S**
D'Ascanio et al. (45) **Date of Patent:** **** Jun. 13, 2023**

(54) **CABLE STAPLE**
(71) Applicants: **Franco L D'Ascanio**, Key Colony Beach, FL (US); **Sean P Snowden**, Marathon, FL (US); **Harold Zimmermann**, Riverton, NJ (US)
(72) Inventors: **Franco L D'Ascanio**, Key Colony Beach, FL (US); **Sean P Snowden**, Marathon, FL (US); **Harold Zimmermann**, Riverton, NJ (US)
(73) Assignee: **COASTAL SOURCE, LLC**, Marathon, FL (US)
(**) Term: **15 Years**
(21) Appl. No.: **29/867,021**
(22) Filed: **Oct. 6, 2022**
(51) **LOC (14) Cl.** **08-08**
(52) **U.S. Cl.**
USPC **D8/390**
(58) **Field of Classification Search**
USPC D8/389, 390; D24/145, 155
CPC F16B 15/0007; F16B 15/0015; F16B 15/0092; F16B 15/02; F16B 15/04; F16B 15/06; F16B 15/08; A61B 17/064; A61B 17/0642; A61B 17/0644; A61B 2017/0645; A61B 2017/0646; H02G 3/26; H02G 3/32
See application file for complete search history.

1,466,533 A * 8/1923 Kosienski F16B 15/02 24/710.5
1,639,530 A * 8/1927 Payson F16B 15/0015 411/920
1,988,233 A * 1/1935 Berendt A44B 1/28 24/107
2,003,062 A * 5/1935 Wickwire F16B 15/02 411/469
2,632,356 A * 3/1953 Thiel F16B 15/0015 411/920

(Continued)

FOREIGN PATENT DOCUMENTS

CN 304907199 * 11/2018
IL 60604 * 6/2019
JP D1504138 * 6/2014

Primary Examiner — S. Bryan Reinholdt, Jr.
Assistant Examiner — Ieisha N Price
(74) *Attorney, Agent, or Firm* — Stuart M. Goldstein

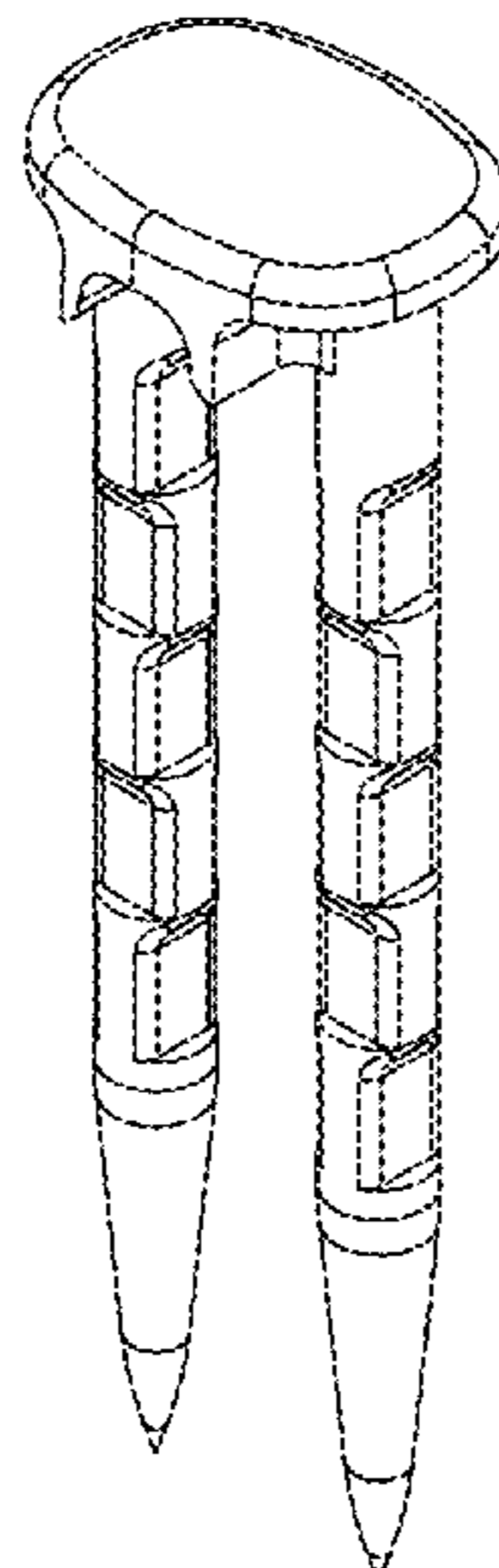
(57) **CLAIM**

The ornamental design for a cable staple, as shown and described.

DESCRIPTION

FIG. 1 is a top perspective view of a cable staple of the present invention.
FIG. 2 is a front view of a cable staple of the present invention.
FIG. 3 is a rear view of a cable staple of the present invention.
FIG. 4 is a right side elevation view of a cable staple of the present invention.
FIG. 5 is a left side elevation view of a cable staple of the present invention.
FIG. 6 is a top view of a cable staple of the present invention; and,
FIG. 7 is a bottom view of a cable staple of the present invention.

1 Claim, 3 Drawing Sheets



(56)

References Cited

U.S. PATENT DOCUMENTS

2,867,807 A *	1/1959	Anstett	F16B 15/06	248/71	5,352,229 A *	10/1994	Goble	A61B 17/0642	606/220
2,887,004 A *	5/1959	Stewart	F16B 15/0015	411/920	5,855,097 A *	1/1999	Moore	A01G 9/28	405/16
3,154,999 A *	11/1964	Stewart	F16B 15/02	411/920	6,126,372 A *	10/2000	Takata	F16B 15/0015	411/475
3,267,660 A *	8/1966	Matthews	B21F 45/24	59/77	7,722,610 B2 *	5/2010	Viola	A61B 17/0682	227/176.1
D227,976 S *	7/1973	Barth	D8/393		8,956,097 B2 *	2/2015	Albrecht	F16B 15/08	411/443
3,813,985 A *	6/1974	Perkins	F16B 15/00	411/902	D865,178 S *	10/2019	Sammarco	D24/155	
3,945,293 A *	3/1976	Krol	F16B 15/06	411/451.3	2003/0021655 A1 *	1/2003	Correll	F24D 3/143	411/473
3,969,975 A *	7/1976	Krol	F16B 15/06	411/456	2004/0250505 A1 *	12/2004	Leek	F16B 15/0015	52/480
D243,365 S *	2/1977	Cross	D24/135		2008/0319443 A1 *	12/2008	Focht	A61B 17/0642	606/75
4,014,244 A *	3/1977	Larson	F16B 15/06	411/451.3	2009/0264923 A1 *	10/2009	Safer	A61B 17/083	606/219
4,220,070 A *	9/1980	Anstett	F16B 15/08	411/444	2011/0118842 A1 *	5/2011	Bernard	A61F 2/4455	623/17.11
4,454,875 A *	6/1984	Pratt	A61B 17/0642	606/75	2012/0130421 A1 *	5/2012	Hafez	A61B 17/07207	606/220
D281,814 S *	12/1985	Pratt	D24/145		2014/0018809 A1 *	1/2014	Allen	A61B 17/0642	606/75
4,570,623 A *	2/1986	Ellison	A61B 17/68	606/75	2015/0313592 A1 *	11/2015	Coillard-Lavirotte	A61B 17/083	606/151
D284,509 S *	7/1986	Johnson	D24/145		2018/0347610 A1 *	12/2018	Zuk	E01C 11/18	
D286,442 S *	10/1986	Korthoff	D24/145		2019/0046183 A1 *	2/2019	Hartdegen	A61B 17/10	
4,697,045 A *	9/1987	Beatty	F16B 15/06	411/456	2019/0154070 A1 *	5/2019	Kargenian	B25C 5/15	
						2021/0386422 A1 *	12/2021	Maclure	A61B 17/10	

* cited by examiner

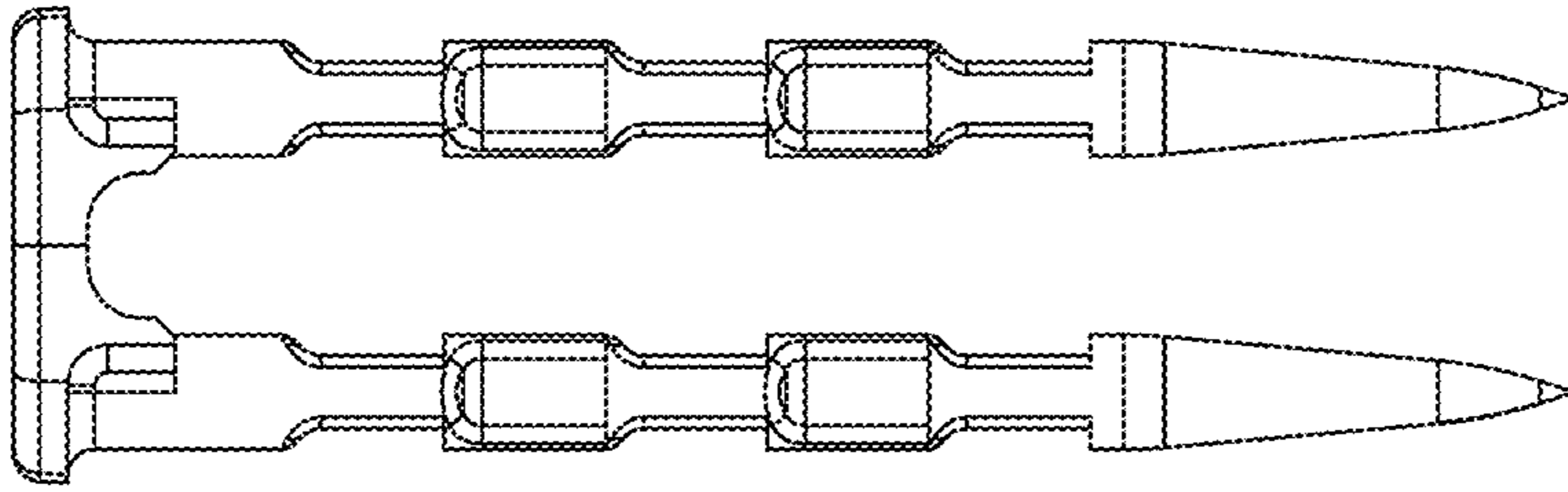


Fig. 3

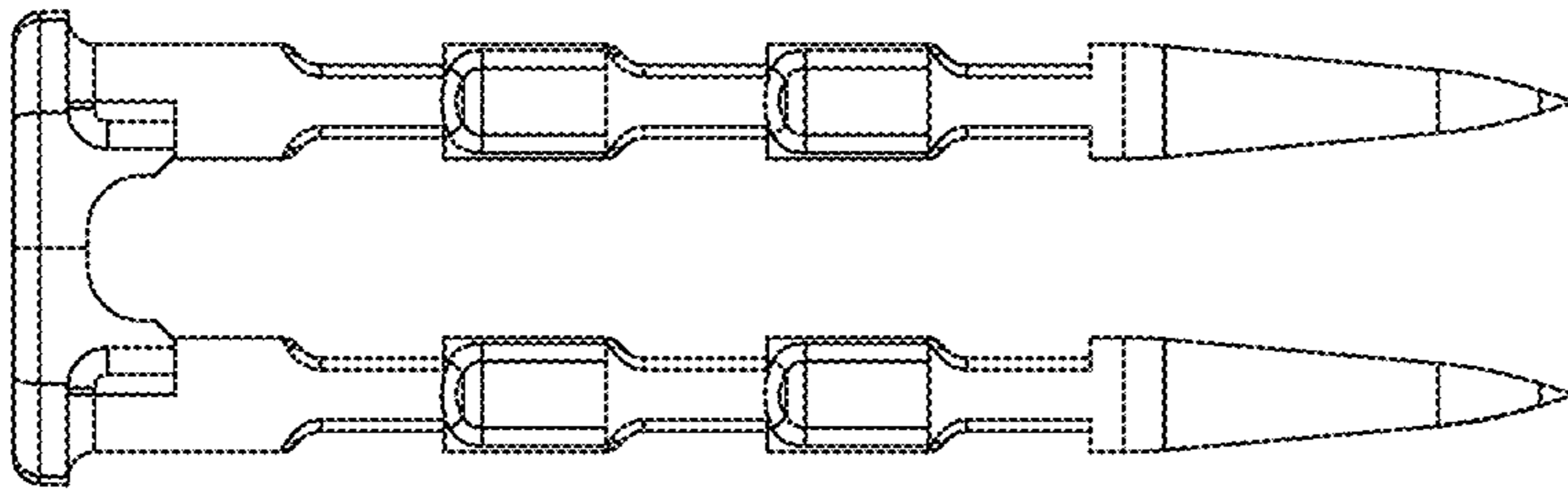


Fig. 2

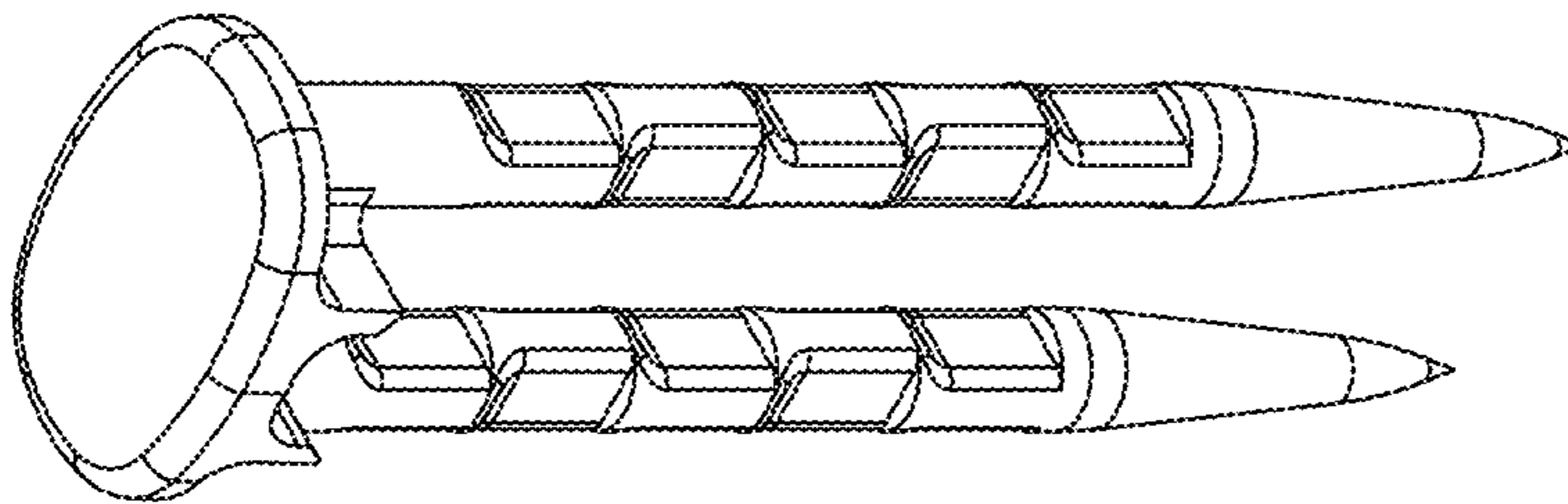


Fig. 1

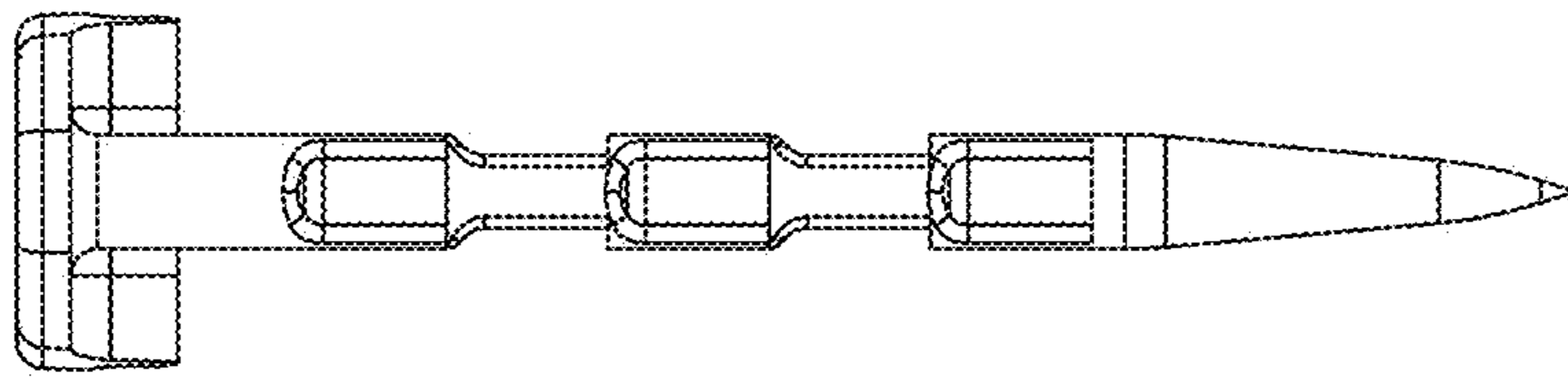


Fig. 5

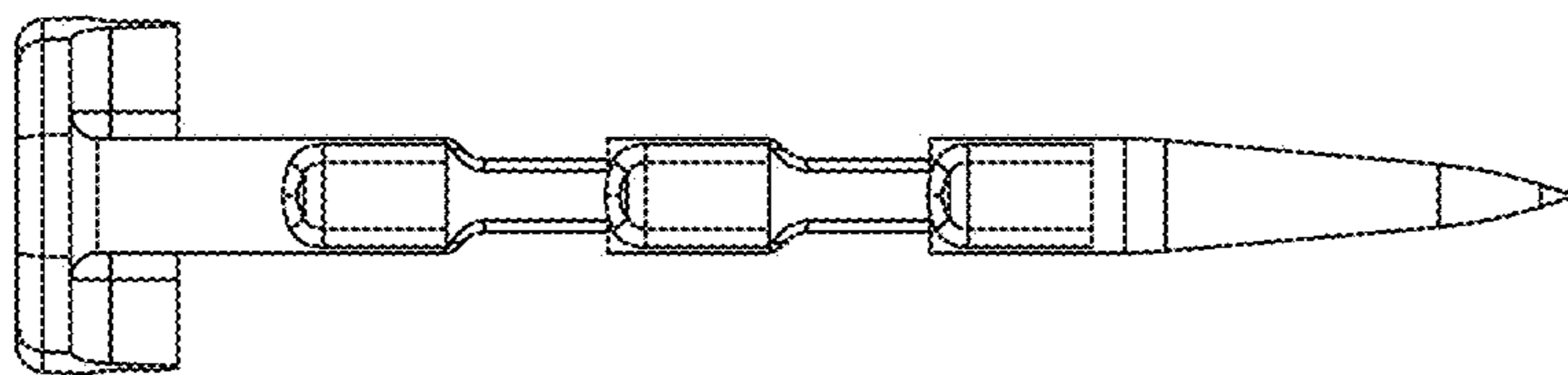


Fig. 4

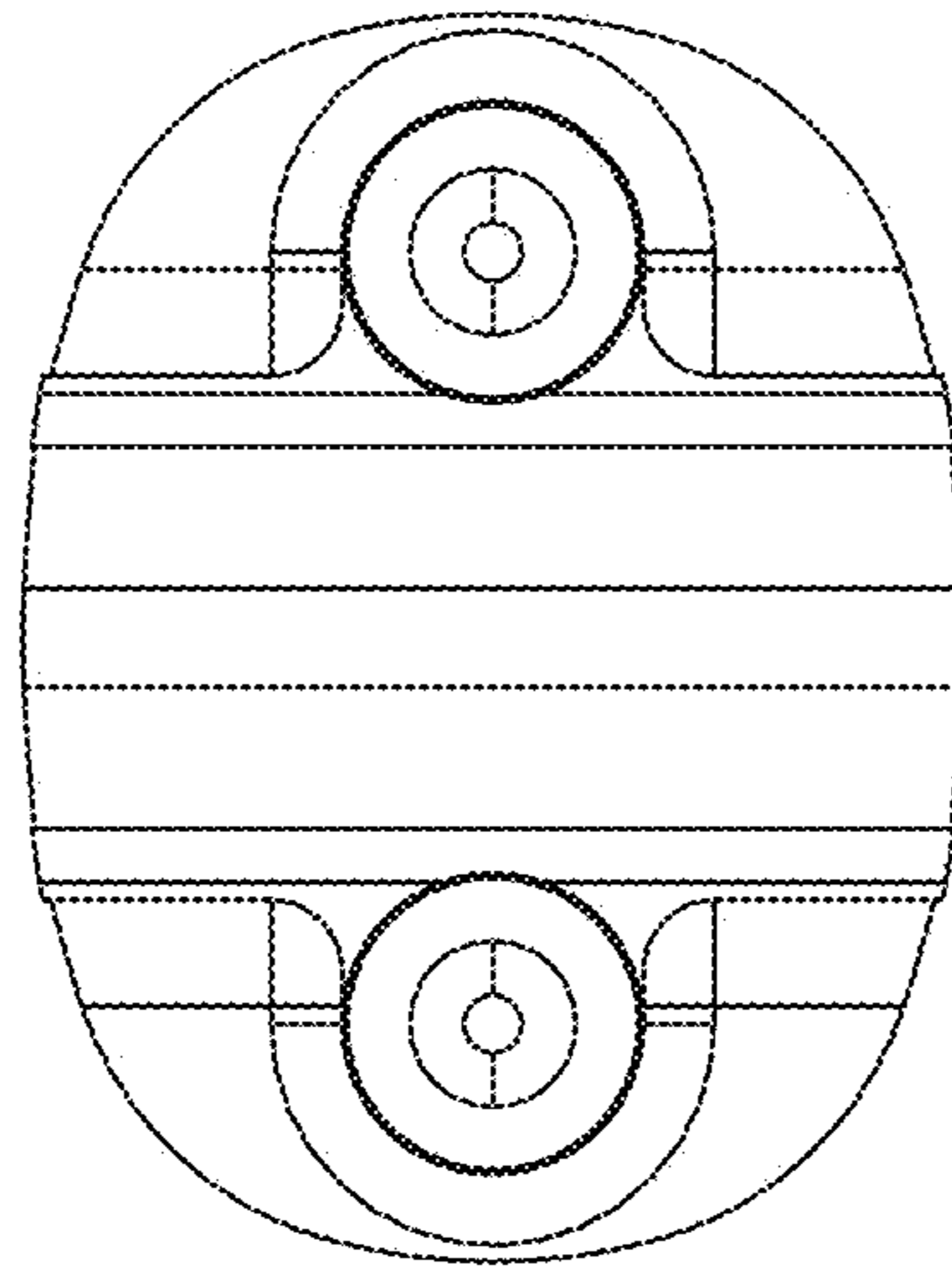


Fig. 7

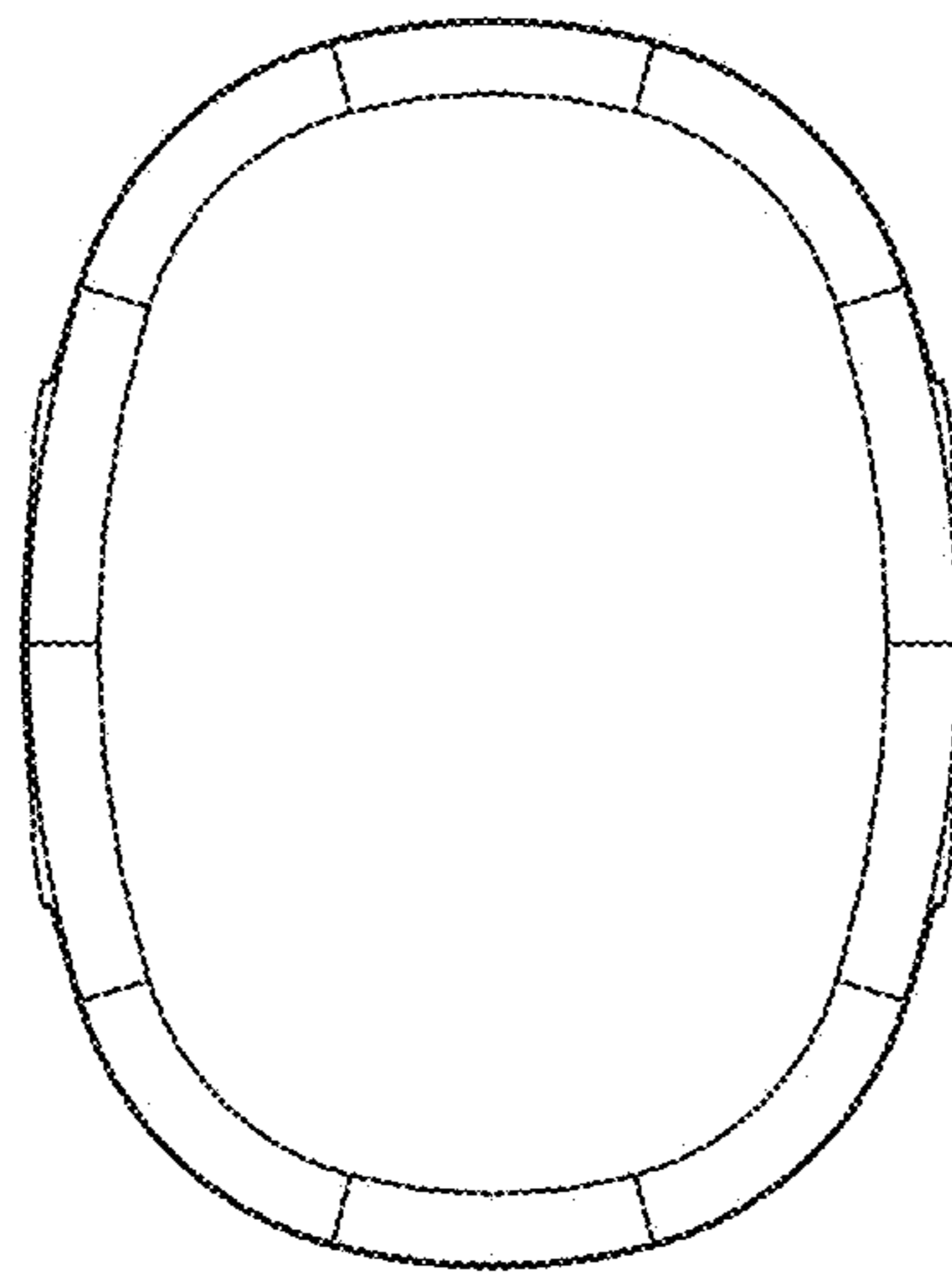


Fig. 6