



US00D988855S

(12) **United States Design Patent**
Guan

(10) **Patent No.:** **US D988,855 S**

(45) **Date of Patent:** **** Jun. 13, 2023**

(54) **CONNECTOR**

(71) Applicant: **Haifeng Guan**, Yangjiang (CN)

(72) Inventor: **Haifeng Guan**, Yangjiang (CN)

(**) Term: **15 Years**

(21) Appl. No.: **29/776,366**

(22) Filed: **Mar. 30, 2021**

(51) **LOC (14) Cl.** **08-08**

(52) **U.S. Cl.**
USPC **D8/382; D8/387**

(58) **Field of Classification Search**
USPC D8/16, 349, 354, 371, 381, 382, 387,
D8/388, 389
CPC F16B 5/002; F16B 5/0004; F16B 5/0088;
F16B 5/0092; F16B 5/0208; F16B
5/0275; F16B 5/0283; F16B 5/06; F16B
2200/503
See application file for complete search history.

(56) **References Cited**

U.S. PATENT DOCUMENTS

- 2,888,971 A * 6/1959 Wootton F16B 5/06
248/214
- 3,491,820 A * 1/1970 Ostling F16B 21/09
248/225.11
- 3,645,162 A * 2/1972 Welch F16B 21/09
52/285.3
- 3,894,377 A * 7/1975 Welch F16B 12/22
52/584.1
- 3,996,718 A * 12/1976 Welch F16B 12/22
312/111
- D263,788 S * 4/1982 McKinnon D8/394
- 4,470,716 A * 9/1984 Welch F16B 12/38
248/221.12
- 4,473,316 A * 9/1984 Welch F16B 12/22
5/299
- 4,516,371 A * 5/1985 Simpson E04C 3/08
52/409
- D285,647 S * 9/1986 Sachs 174/41

- D294,676 S * 3/1988 Egner D8/382
- 5,407,310 A * 4/1995 Kassouni F16B 35/06
411/173
- D425,403 S * 5/2000 Medina D8/354
- 6,109,819 A * 8/2000 Welch A47B 13/003
248/300
- D521,855 S * 5/2006 Taylor D8/394
- D556,015 S * 11/2007 Muchnik D8/349
- D567,074 S * 4/2008 Gallien D8/387
- D574,082 S * 7/2008 Orthner D8/387
- D762,456 S * 8/2016 Lo D8/349
- D791,578 S * 7/2017 Royak D8/371
- 11,204,050 B2 * 12/2021 Kennedy A47C 7/54
- D959,957 S * 8/2022 Kim D8/349

(Continued)

FOREIGN PATENT DOCUMENTS

- CN 303884483 * 10/2016
- CN 307290724 * 4/2022

(Continued)

Primary Examiner — S. Bryan Reinholdt, Jr.
Assistant Examiner — Ieisha N Price
(74) *Attorney, Agent, or Firm* — Bayramoglu Law Offices
LLC

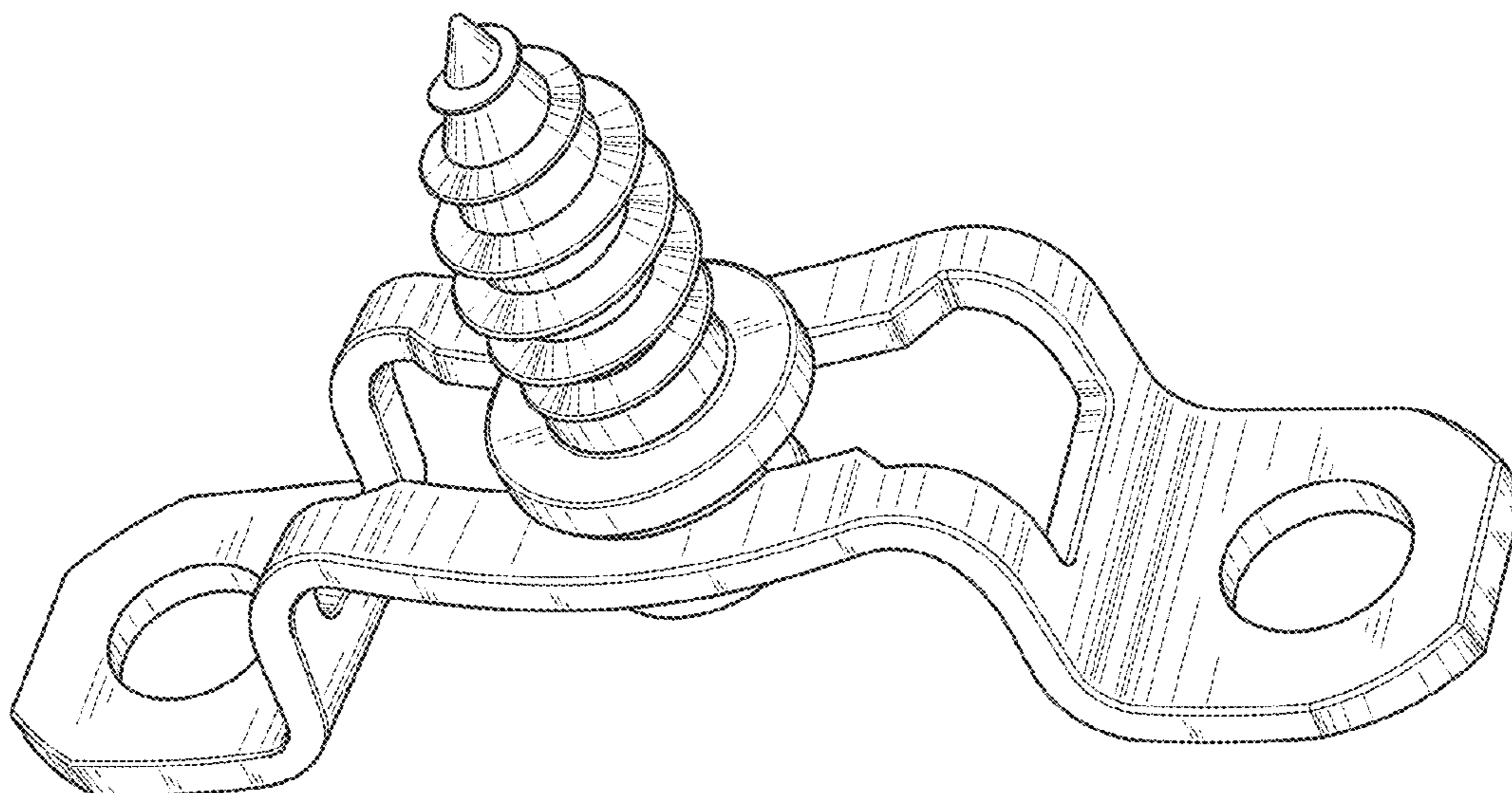
(57) **CLAIM**

The ornamental design for a connector, as shown and described.

DESCRIPTION

FIG. 1 is a perspective view of a connector showing my new design;
FIG. 2 is a front view thereof;
FIG. 3 is a rear view thereof;
FIG. 4 is a left side view thereof;
FIG. 5 is a right side view thereof;
FIG. 6 is a top view thereof; and,
FIG. 7 is a bottom view thereof.

1 Claim, 7 Drawing Sheets



(56)

References Cited

U.S. PATENT DOCUMENTS

2007/0289249 A1* 12/2007 Martel E04F 15/02
52/715
2014/0014407 A1* 1/2014 Krieg F16G 11/06
24/135 R

FOREIGN PATENT DOCUMENTS

GB 4019406 * 4/2011
JP D1125815 * 11/2001
JP D1629318 * 4/2019
SG 200376G-001 * 8/2003

* cited by examiner

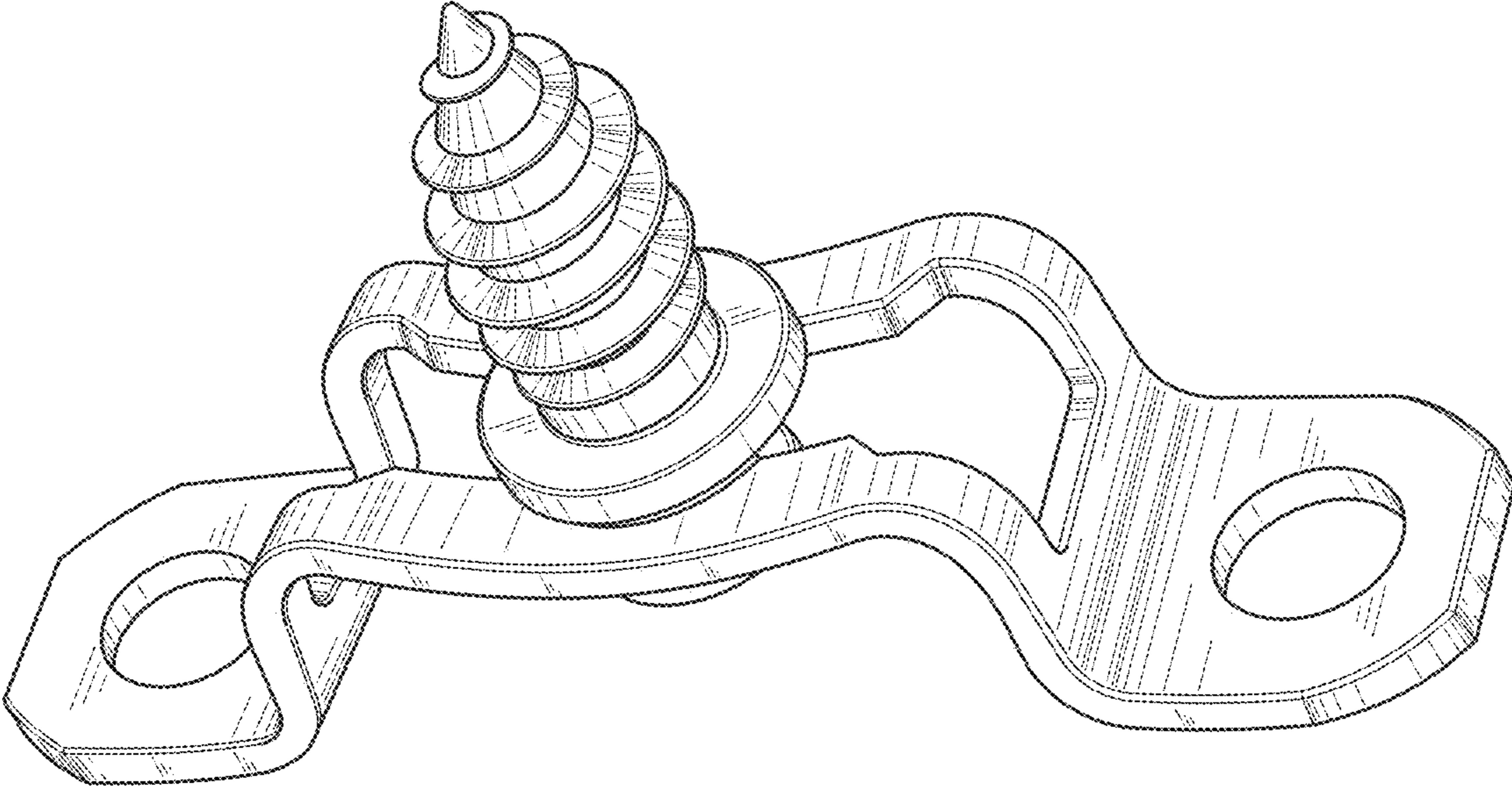


Fig. 1

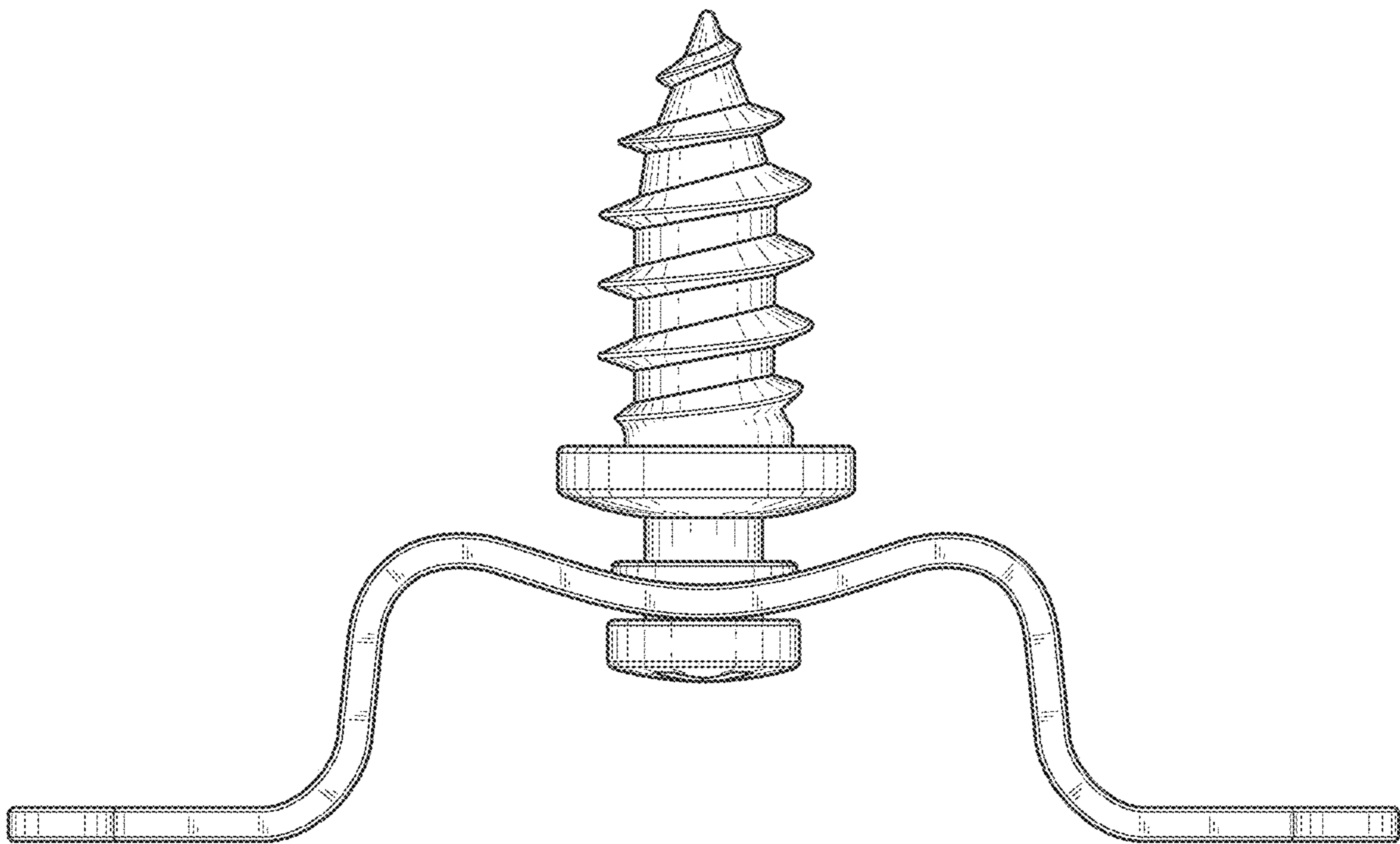


Fig. 2

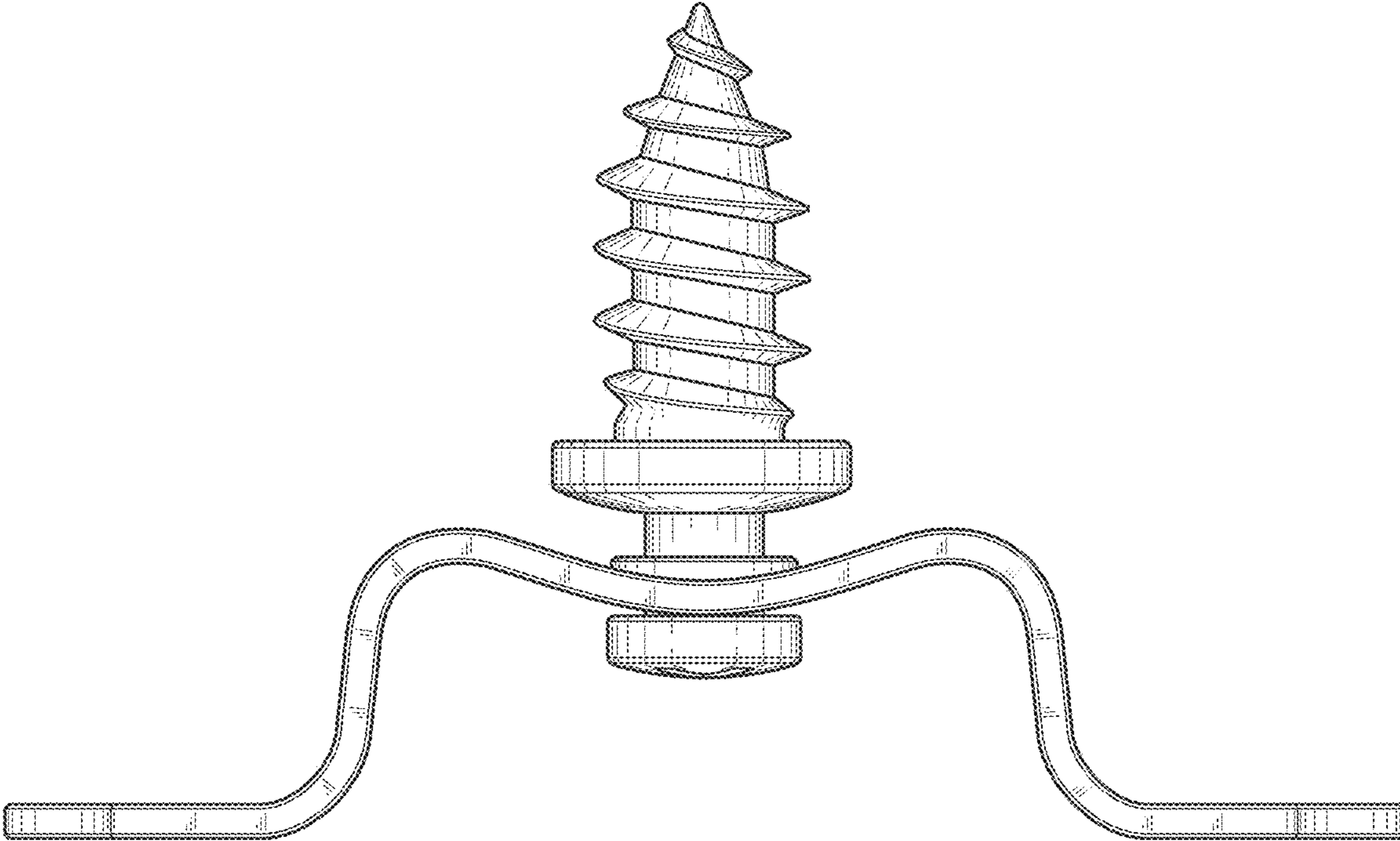


Fig. 3

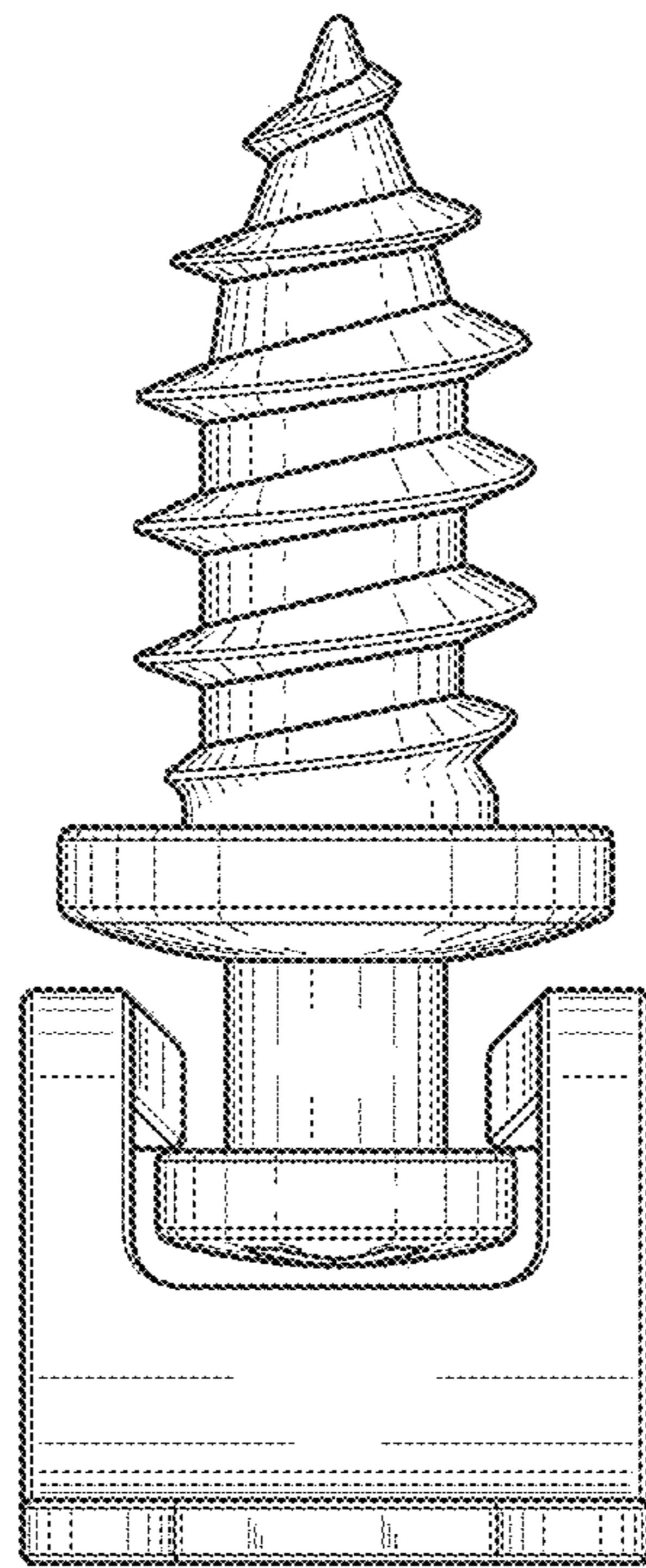


Fig. 4

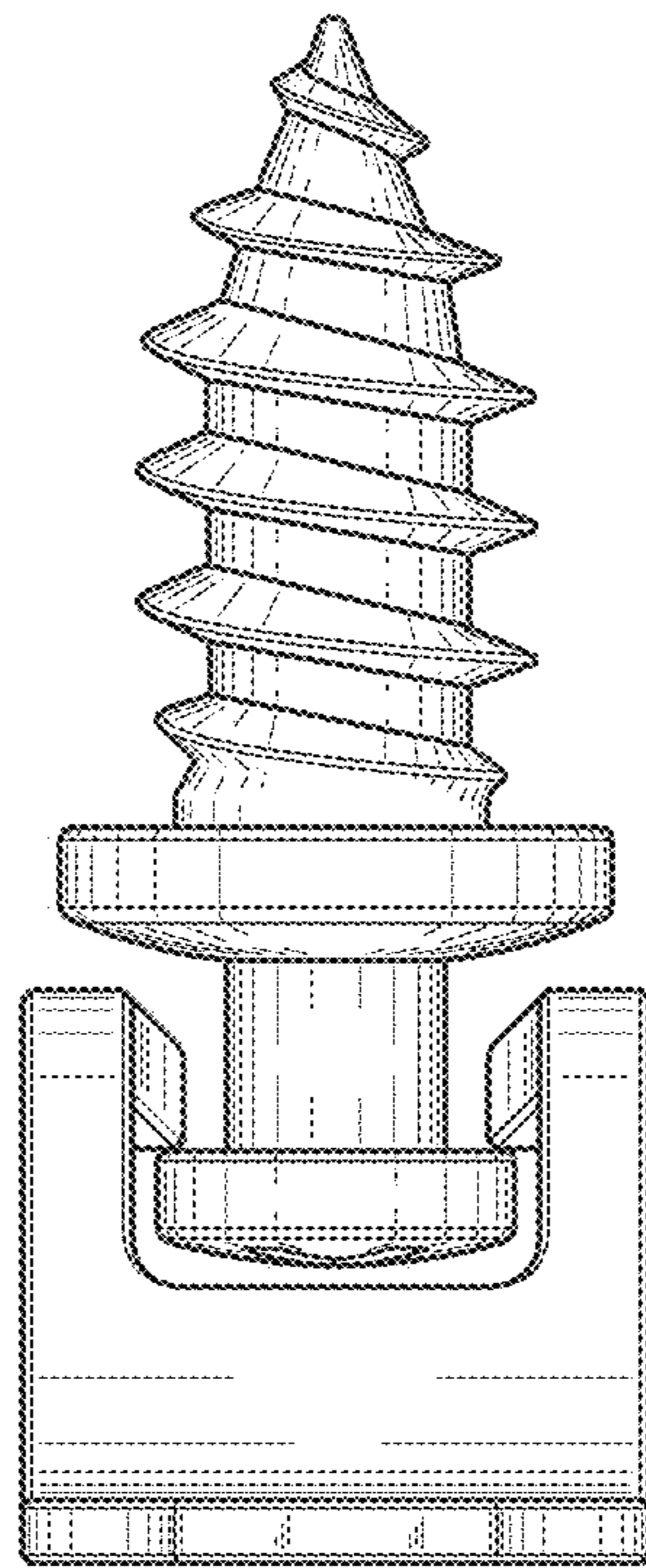


Fig. 5

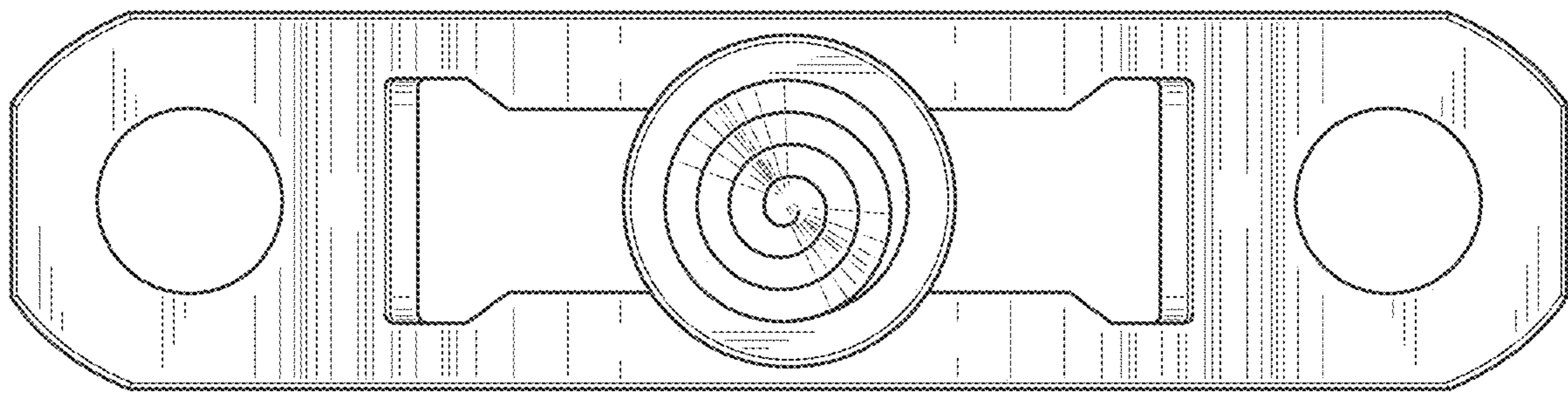


Fig. 6

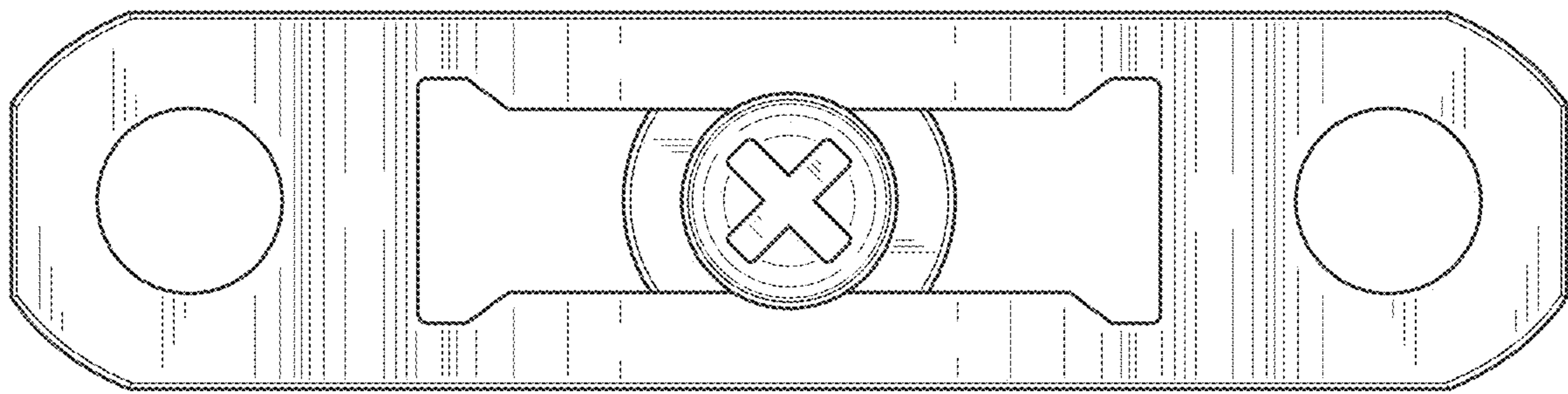


Fig. 7