



US00D988854S

(12) **United States Design Patent**  
**Diehl**

(10) **Patent No.:** **US D988,854 S**

(45) **Date of Patent:** **\*\* \*Jun. 13, 2023**

(54) **STACKING PIN**

(71) Applicant: **VOIDFORM PRODUCTS, LLC**,  
Englewood, CO (US)

(72) Inventor: **Todd Diehl**, Mansfield, TX (US)

(73) Assignee: **Voidform Products, LLC**, Englewood,  
CO (US)

(\*) Notice: This patent is subject to a terminal disclaimer.

(\*\*) Term: **15 Years**

(21) Appl. No.: **29/743,096**

(22) Filed: **Jul. 17, 2020**

(51) **LOC (14) Cl.** ..... **08-08**

(52) **U.S. Cl.**  
USPC ..... **D8/382**

(58) **Field of Classification Search**  
USPC ..... D8/354-357, 360, 373, 380-394, 5,  
D8/401-402, 47-49, 40; D6/362, 702,  
D6/709-710

CPC .... A47B 2230/0077; A47B 2230/0081; A47B  
47/025; A47B 47/042; A47F 5/10; F16B  
12/125; F16B 12/22; F16B 12/24; F16B  
15/08; F16B 15/06; F16B 15/0015; F16B  
15/0092; F16B 15/02; F16B 15/00; F16B  
15/0007; F16B 15/0023; F16B 15/04

See application file for complete search history.

(56) **References Cited**

**U.S. PATENT DOCUMENTS**

2,400,988 A \* 5/1946 Goessel ..... B25C 11/00  
254/28  
D352,217 S \* 11/1994 Hochfeld ..... D8/104

D394,996 S \* 6/1998 Fong ..... D8/48  
D414,998 S \* 10/1999 Cheldin ..... D8/48  
D438,440 S \* 3/2001 Cheldin ..... D8/48  
D492,173 S \* 6/2004 Huang ..... D19/906  
D547,156 S \* 7/2007 Lee ..... D8/104  
D689,926 S \* 9/2013 Miskin ..... D19/123  
D700,935 S \* 3/2014 Miskin ..... D19/123  
D710,167 S \* 8/2014 Miskin ..... D8/48  
D713,709 S \* 9/2014 Goldman ..... D8/104  
D724,402 S \* 3/2015 Miskin ..... B25C 11/00  
D8/48  
D899,904 S \* 10/2020 Barnes ..... D8/382  
D943,393 S \* 2/2022 McVey ..... D8/354

\* cited by examiner

*Primary Examiner* — Karen S Acker

*Assistant Examiner* — Elizabeth S Ko

(57) **CLAIM**

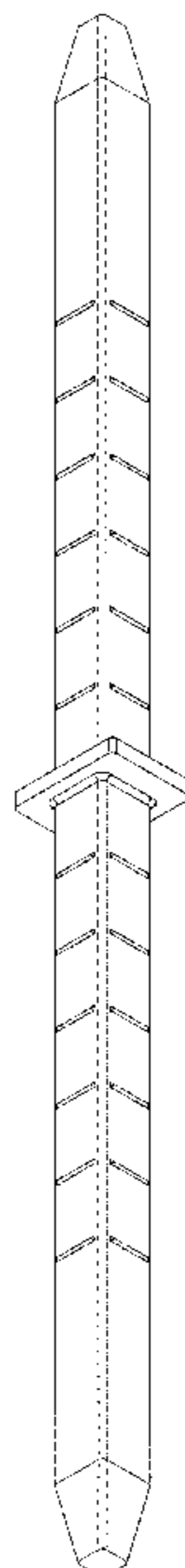
The ornamental design for a stacking pin, as shown and described.

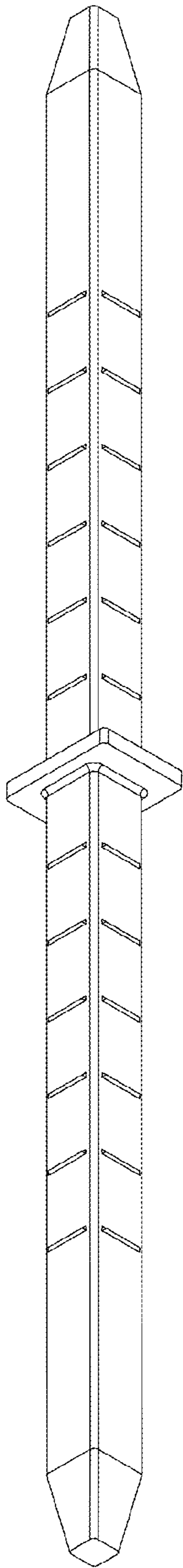
**DESCRIPTION**

FIG. 1 is an isometric view of the front of the stacking pin, showing my new design;

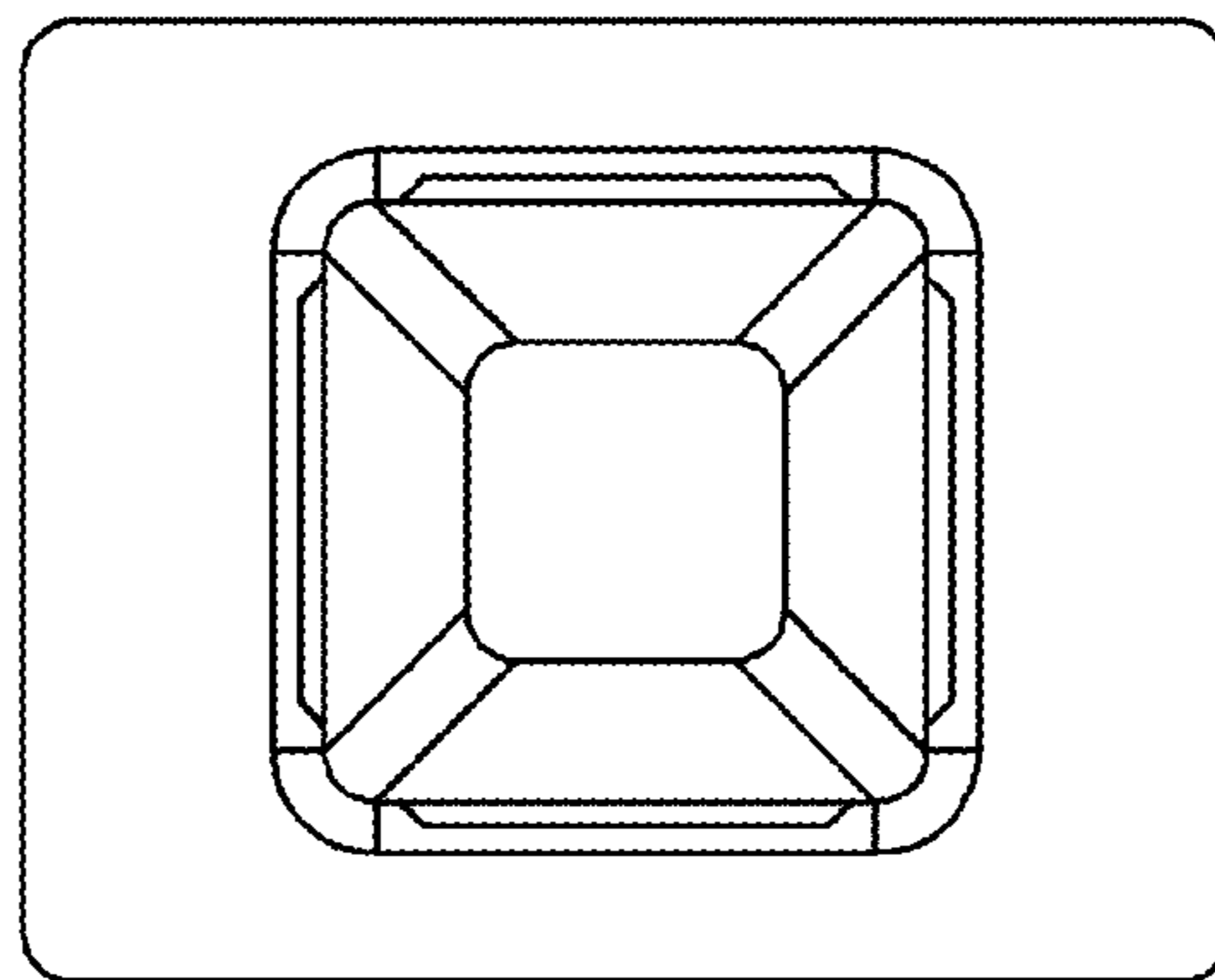
FIG. 2 is an enlarged top plan view of the stacking pin thereof, the bottom plan view being a mirror image; and, FIG. 3 is a front elevational view of the stacking pin thereof, the back elevational view, right side elevational view, and left side elevational view being mirror images.

**1 Claim, 1 Drawing Sheet**

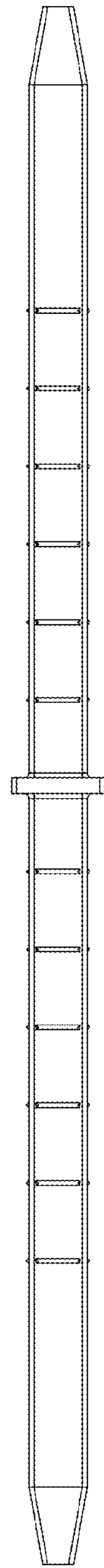




**FIG. 1**



**FIG. 2**



**FIG. 3**