



US00D988853S

(12) **United States Design Patent**
Gallegos

(10) **Patent No.:** **US D988,853 S**

(45) **Date of Patent:** **** Jun. 13, 2023**

(54) **BRACKET**

(71) Applicant: **Unirac, Inc.**, Lincoln, CA (US)

(72) Inventor: **Ernest Gallegos**, Albuquerque, NM (US)

(73) Assignee: **Unirac Inc.**, Albuquerque, NM (US)

(**) Term: **15 Years**

(21) Appl. No.: **29/784,941**

(22) Filed: **May 21, 2021**

(51) **LOC (14) Cl.** **08-05**

(52) **U.S. Cl.**

USPC **D8/354**

(58) **Field of Classification Search**

USPC D8/71, 349, 354, 355, 380, 381;
D25/133; D15/5, 17, 28, 72, 78, 89, 138;
D13/118, 154, 173; D20/8; D26/113;
D6/572, 328, 702, 580; D12/20, 42, 317,
D12/345, 106, 114, 133, 172, 177, 223,
D12/420; D10/74, 80, 94, 103, 121;
D14/432, 483, 217; D23/206, 249, 303,
D23/322, 386, 393; D24/128, 184, 127
CPC ... A47F 5/08; A47B 96/028; B60G 2206/601;
B60G 2204/4305; B60G 2204/4306;
E04H 17/135; E06C 7/083; F21S 8/036;
F21S 8/043; H04N 2201/02485; E04D
13/00

See application file for complete search history.

(56) **References Cited**

U.S. PATENT DOCUMENTS

D31,970 S * 12/1899 McDonald D26/113
D157,905 S * 3/1950 Risk 305/191
D212,125 S * 8/1968 Barry D6/702
RE35,485 E 4/1997 Stewart
D437,771 S * 2/2001 Barnes D8/352
D449,623 S * 10/2001 Neuerburg D15/17
6,923,611 B2 8/2005 Kenny

7,012,188 B2 3/2006 Erling
D536,239 S * 2/2007 Tallman D8/354
D559,083 S * 1/2008 Brassard D8/354
D640,289 S * 6/2011 Wilhelm D15/17
D647,538 S * 10/2011 Wilhelm D15/17
D782,281 S * 3/2017 Kuo D8/349
10,135,387 B2 11/2018 Seery et al.
10,767,684 B1 9/2020 Meine et al.
D934,929 S * 11/2021 Kremerman D15/138

(Continued)

OTHER PUBLICATIONS

monotaro.sg. "Monotaro_NPL" 8 . . . [online]. Apr. 18, 2012;
[Retrieved on Jul. 20, 2022]. Retrieved from the internet: <url:
https://www.monotaro.sg/g/1000185903.html?experiment_1804=
1 > p. 1, first picture, last 6-8 sentences of the first paragraph under
the picture.

(Continued)

Primary Examiner — Calvin E Vansant
Assistant Examiner — Benjamin Lucas Gray
(74) *Attorney, Agent, or Firm* — Lee & Hayes, P.C.

(57) **CLAIM**

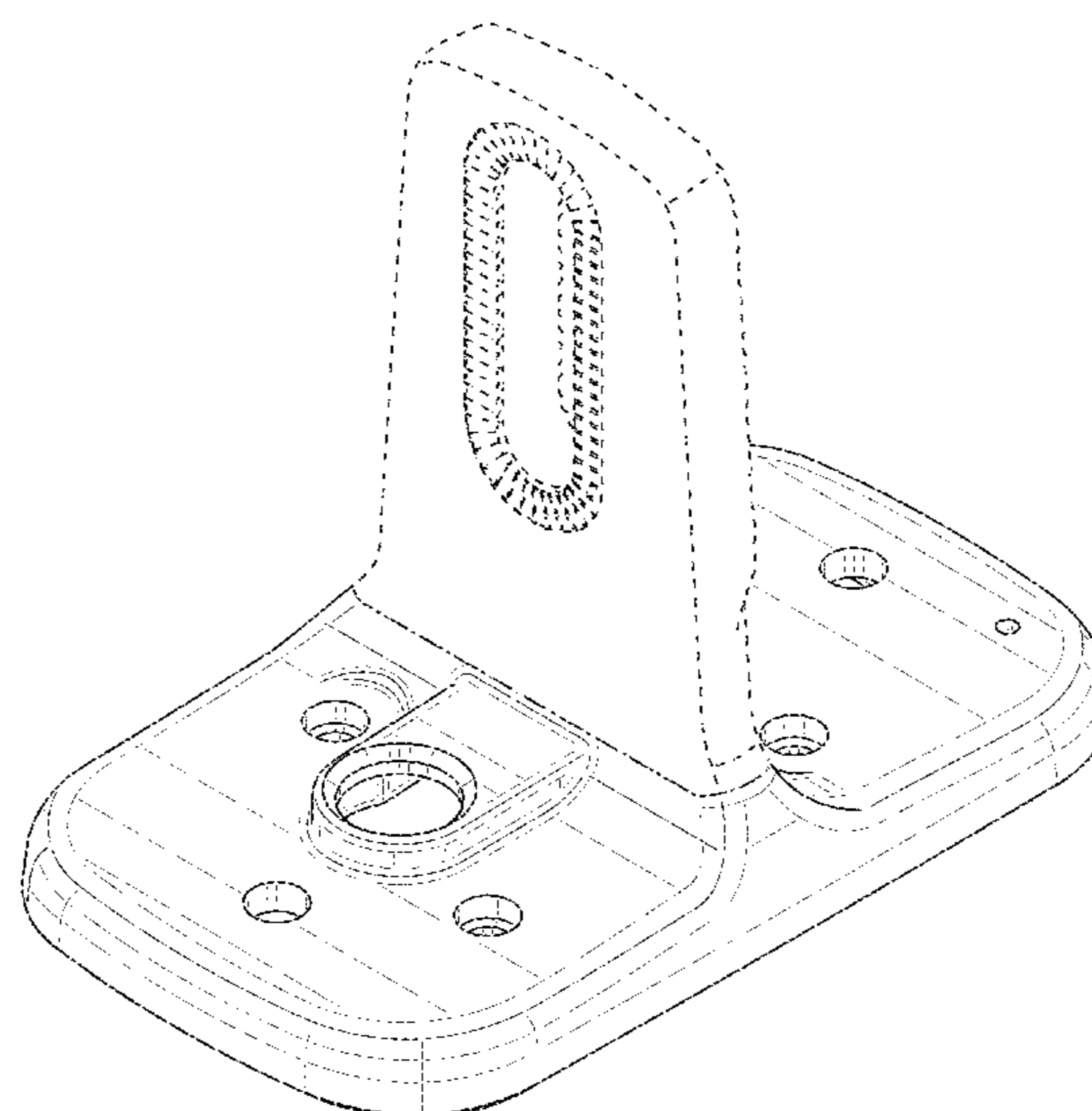
The ornamental design for a bracket, as shown and described.

DESCRIPTION

FIG. 1 is a top perspective view of a bracket;
FIG. 2 is a bottom perspective view thereof;
FIG. 3 is a front view thereof;
FIG. 4 is a back view thereof;
FIG. 5 is a left-side view thereof;
FIG. 6 is a right-side view thereof;
FIG. 7 is a top view thereof; and,
FIG. 8 is a bottom view thereof.

The dashed broken lines depict portions of the bracket that form no part of the claimed design. The dot-dashed broken lines represent boundaries of the claimed bracket that form no part of the claimed design.

1 Claim, 8 Drawing Sheets



(56)

References Cited

U.S. PATENT DOCUMENTS

D968,256	S	*	11/2022	Wang	D10/121
2006/0096192	A1		5/2006	Daudet		
2016/0111999	A1		4/2016	Stapleton		
2018/0062571	A1		3/2018	Ash et al.		
2018/0167023	A1		6/2018	Meine		
2022/0372762	A1		11/2022	Gallegos		

OTHER PUBLICATIONS

Office Action for U.S. Appl. No. 17/327,569, dated Aug. 10, 2022, Gallegos, "Attachment Bracket Apparatus", 19 pages.

PCT Search Report and Written Opinion dated Sep. 9, 2022 for PCT application No. PCT/US22/30217, 8 pages.

* cited by examiner

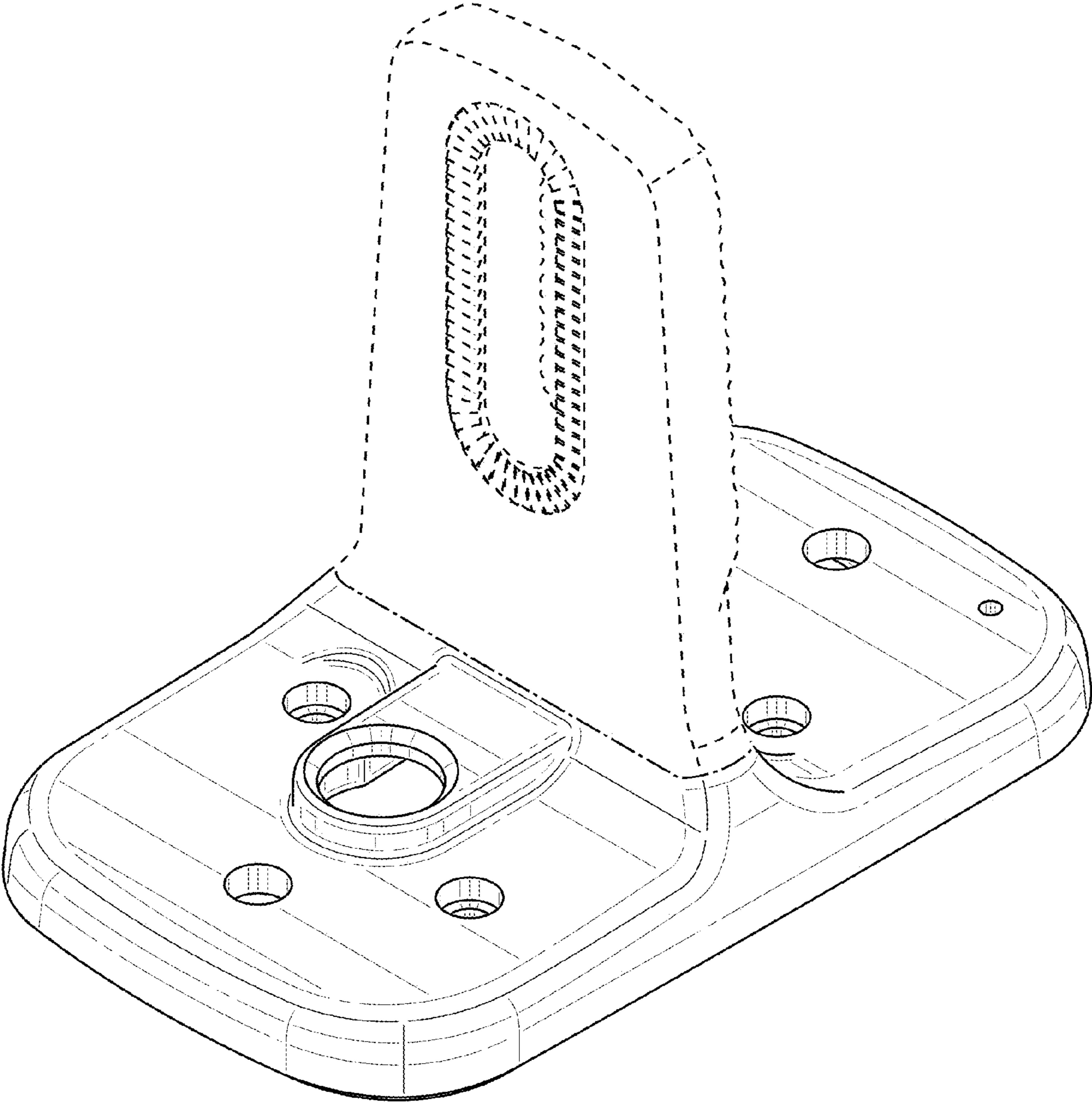


FIG. 1

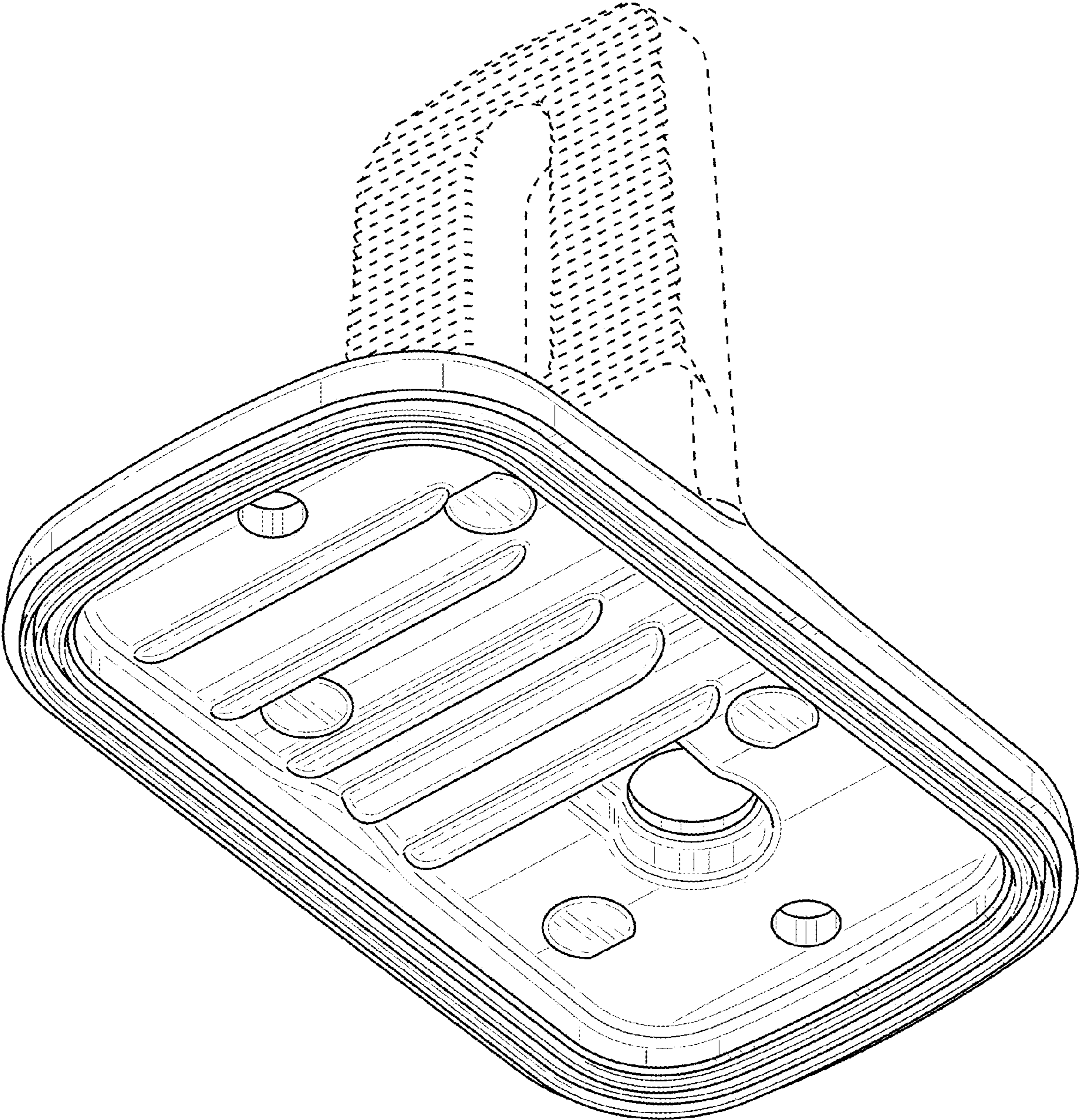


FIG. 2

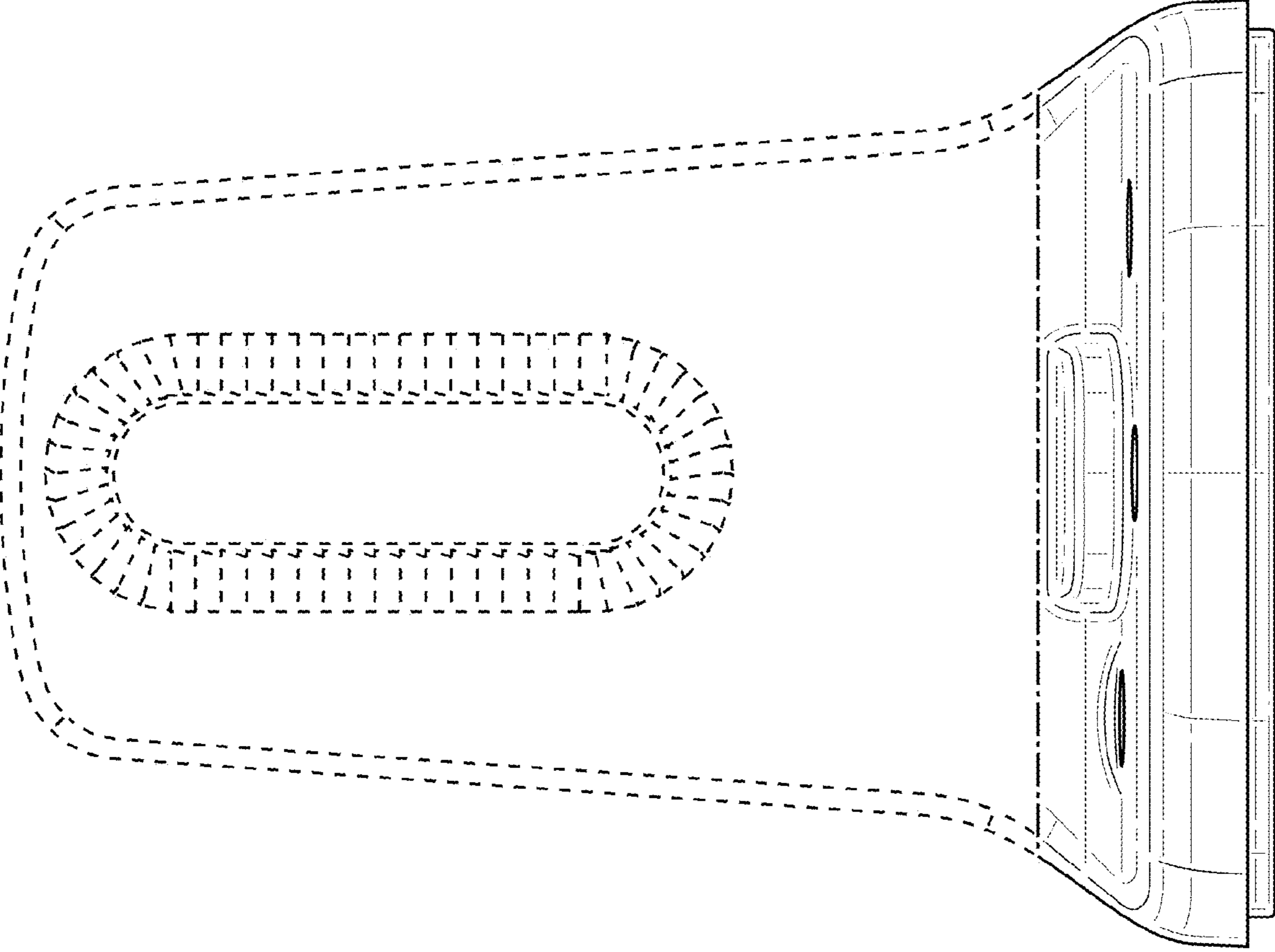


FIG. 3

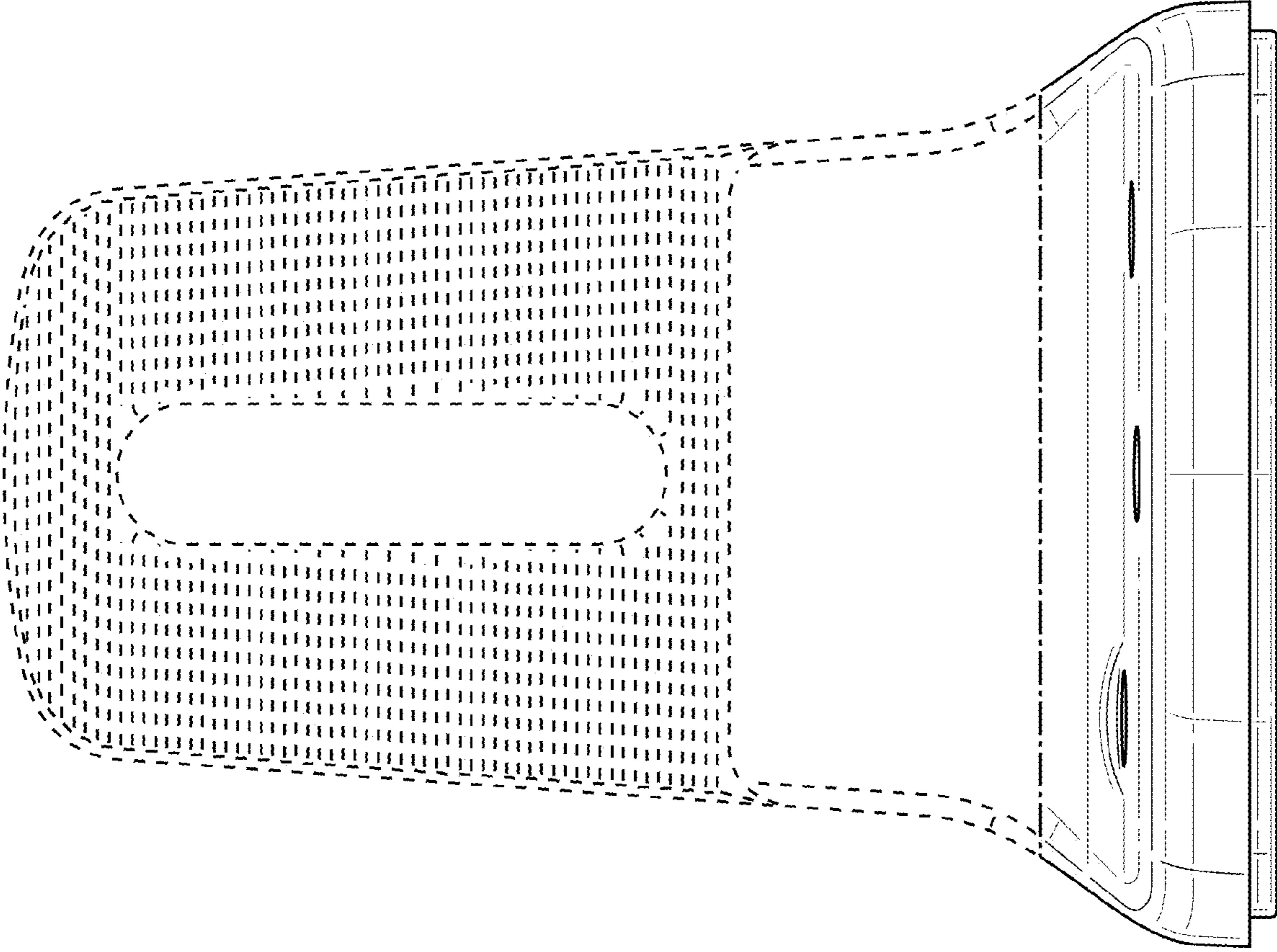


FIG. 4

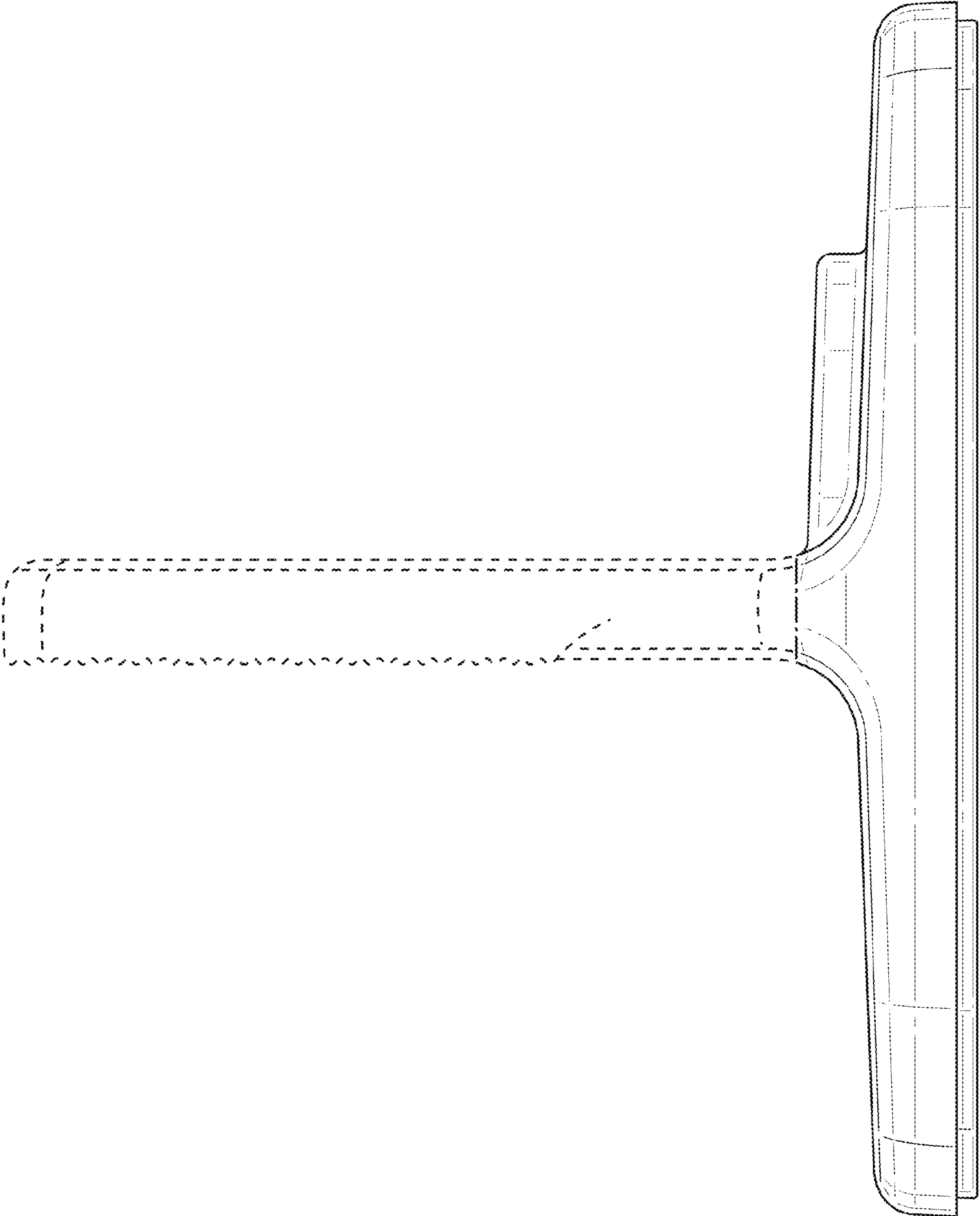


FIG. 5

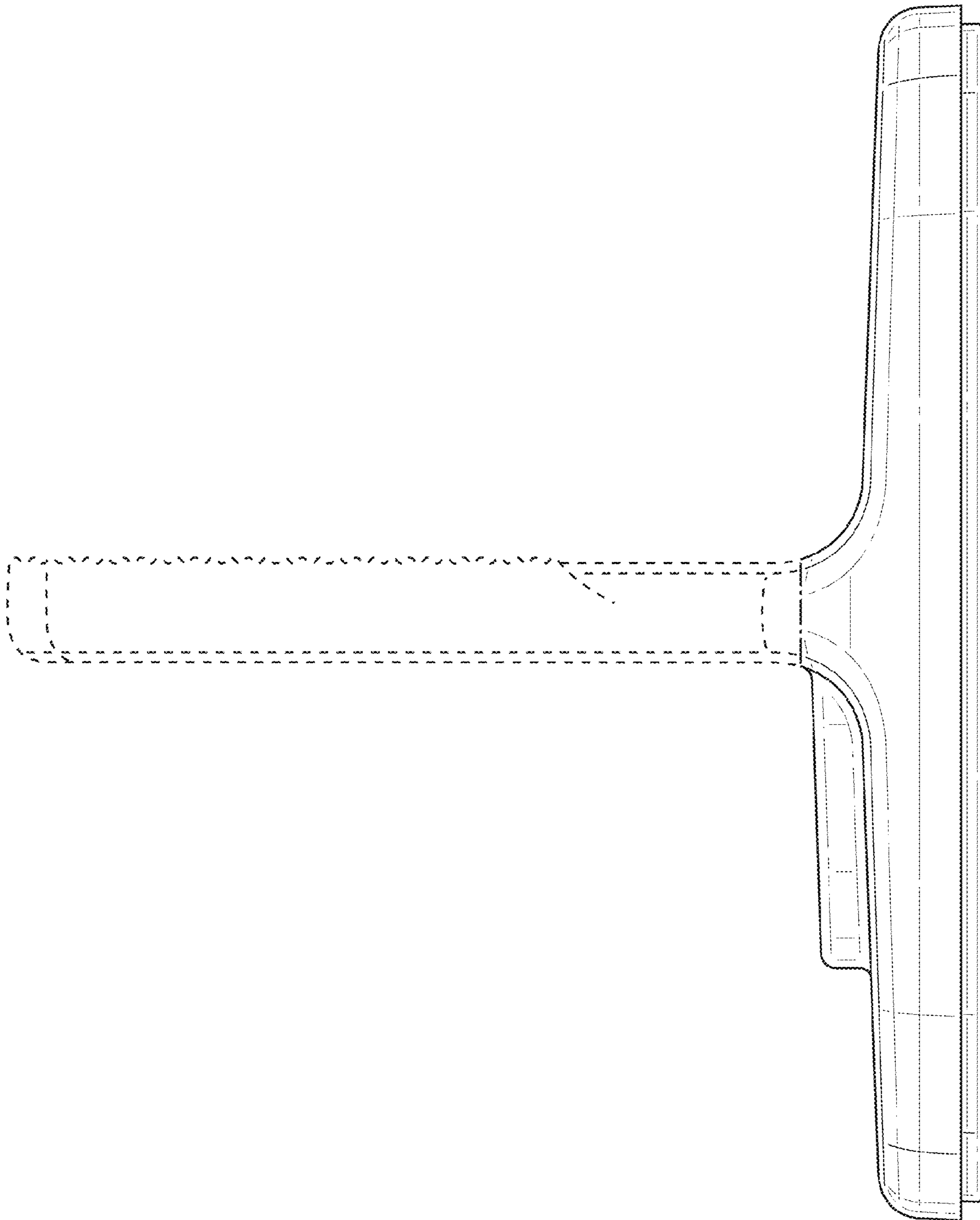


FIG. 6

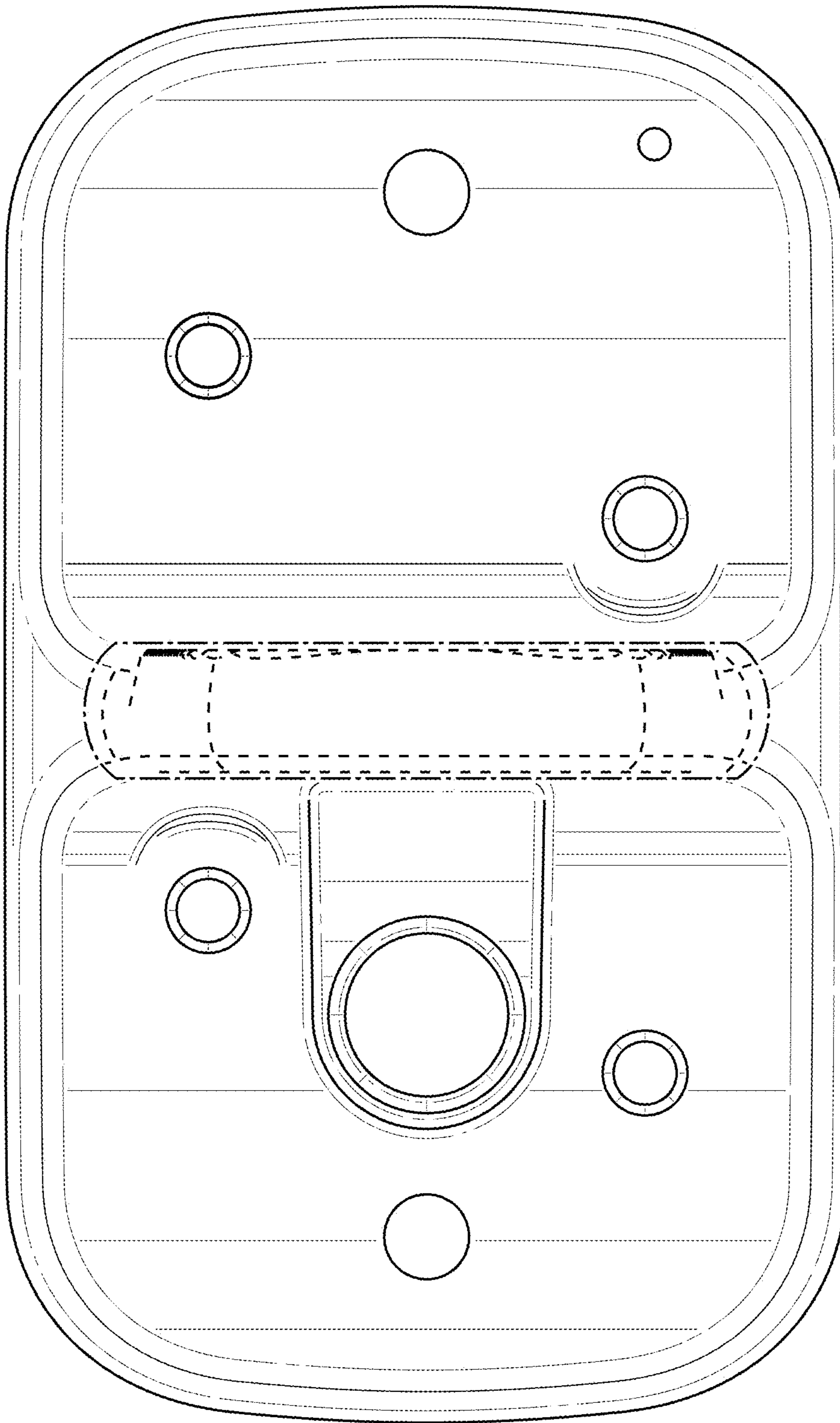


FIG. 7

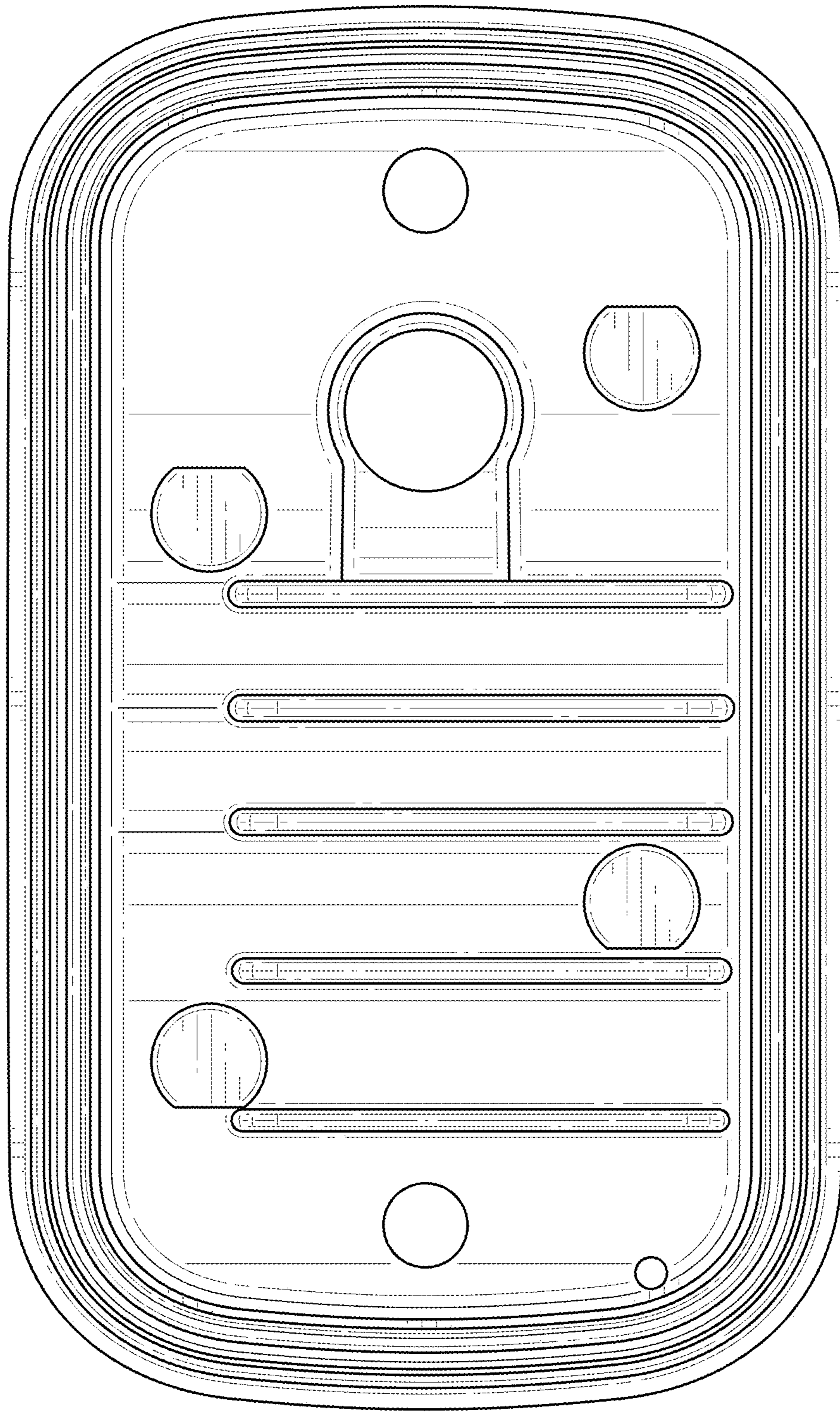


FIG. 8