



US00D988851S

(12) **United States Design Patent** (10) **Patent No.:** **US D988,851 S**  
**Ding** (45) **Date of Patent:** **\*\* Jun. 13, 2023**

(54) **FURNITURE CUP**  
(71) Applicant: **Yiwu Yuequn Import and Export Co., Ltd., Zhejiang (CN)**  
(72) Inventor: **Juntian Ding, Zhejiang (CN)**  
(73) Assignee: **Yiwu Yuequn Import and Export Co., Ltd., Yiwu (CN)**  
(\*\*) Term: **15 Years**  
(21) Appl. No.: **29/857,882**  
(22) Filed: **Oct. 26, 2022**  
(51) **LOC (14) Cl.** ..... **08-11**  
(52) **U.S. Cl.**  
USPC ..... **D8/374**  
(58) **Field of Classification Search**  
USPC ..... D8/49-50, 394-396, 380, 382, 391, 393,  
D8/374-375, 354, 400, 402, 499;  
D6/382, 406.3, 406.6  
CPC ..... A47B 91/12; A47B 91/04; A47B 91/06  
See application file for complete search history.

D896,621 S \* 9/2020 Wendling ..... D8/374  
D896,622 S \* 9/2020 Wendling ..... D8/374  
D915,871 S \* 4/2021 Wendling ..... D8/374  
D923,462 S \* 6/2021 Wendling ..... D8/374  
D945,861 S \* 3/2022 Lagun ..... D8/374  
D949,673 S \* 4/2022 Wendling ..... A47C 7/006  
D8/374

**OTHER PUBLICATIONS**

Furniture Caster Cup, Date Visited: Nov. 28, 2022, Amazon, Date Available: Jun. 2, 2022, <https://www.amazon.com/Furniture-Coasters-Pcs-Caster-Cups/dp/BOB2ZHS592> (Year: 2022).\*

\* cited by examiner

*Primary Examiner* — Karen S Acker  
*Assistant Examiner* — Elizabeth S Ko

(57) **CLAIM**

The ornamental design for a furniture cup, as shown and described.

**DESCRIPTION**

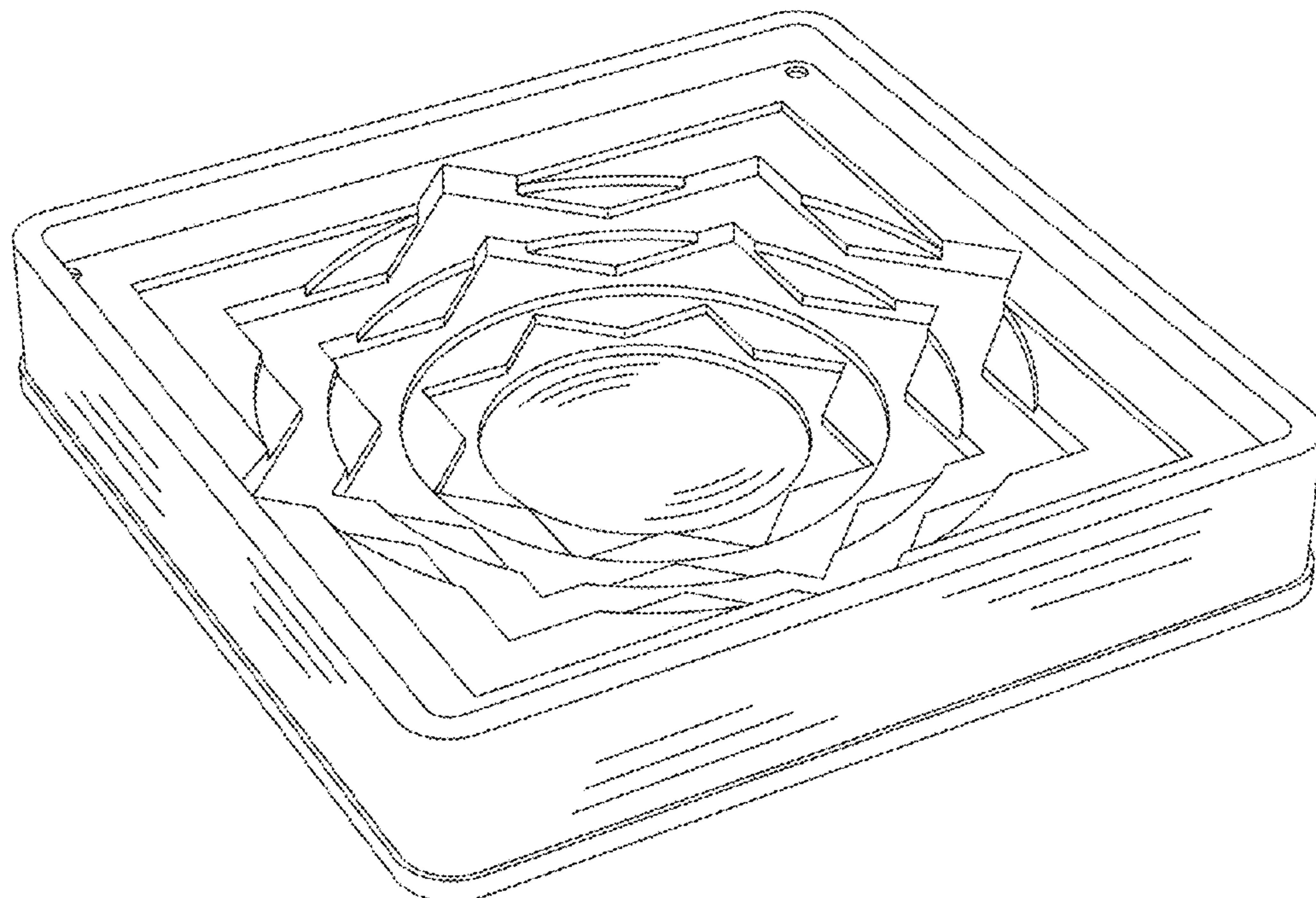
FIG. 1 is a perspective view of a furniture cup showing my new design  
FIG. 2 is a front elevation view of the furniture cup of FIG. 1; a rear elevation view, a left side elevation view, and a right side elevation view being the same thereof;  
FIG. 3 is a top plan view of the furniture cup of FIG. 1;  
FIG. 4 is a bottom plan view of the furniture cup of FIG. 1; and,  
FIG. 5 is a rear, bottom, and right side perspective view of the furniture cup of FIG. 1.  
The shading lines in the drawings are not design features. They are used to illustrate the surface contours of the furniture cup.

**1 Claim, 5 Drawing Sheets**

(56) **References Cited**

**U.S. PATENT DOCUMENTS**

D379,922 S \* 6/1997 Adams ..... D8/499  
D481,624 S \* 11/2003 Miskill ..... D8/400  
D586,612 S \* 2/2009 Rae ..... D7/354  
D589,783 S \* 4/2009 Eul ..... D8/374  
D661,575 S \* 6/2012 Ruiz ..... D8/374  
D760,069 S \* 6/2016 Pierce ..... D8/374  
D798,132 S \* 9/2017 Meyers ..... D8/374  
D829,091 S \* 9/2018 Hancock ..... D8/402  
D893,288 S \* 8/2020 Wendling ..... D8/374  
D894,720 S \* 9/2020 Wendling ..... D8/374



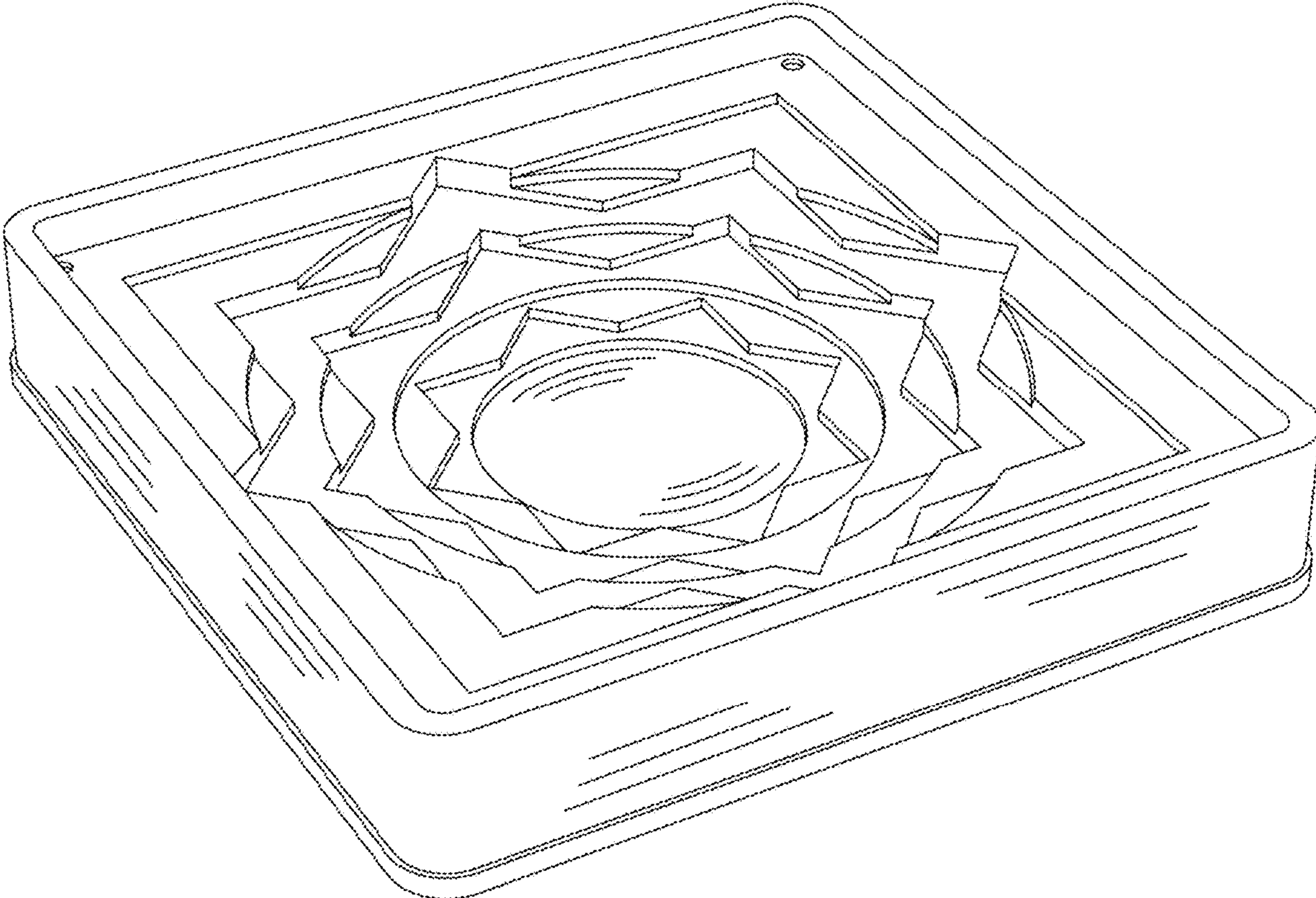


FIG. 1

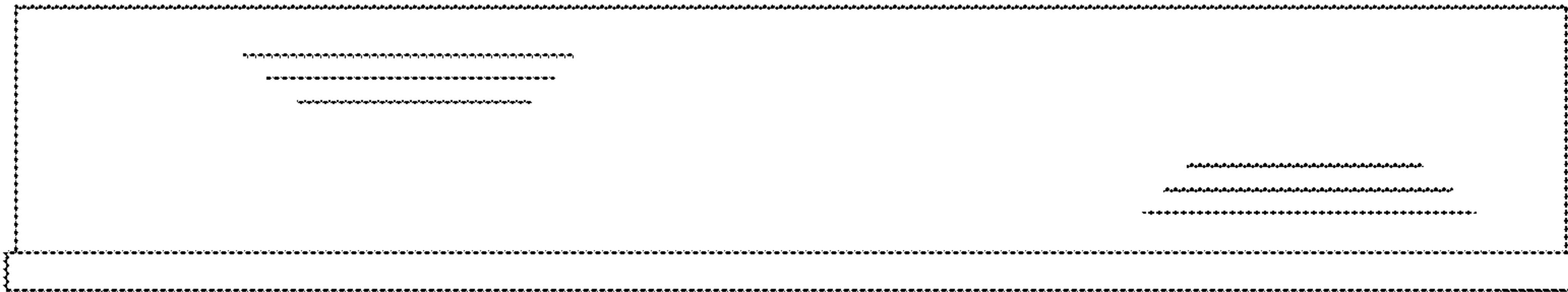


FIG.2



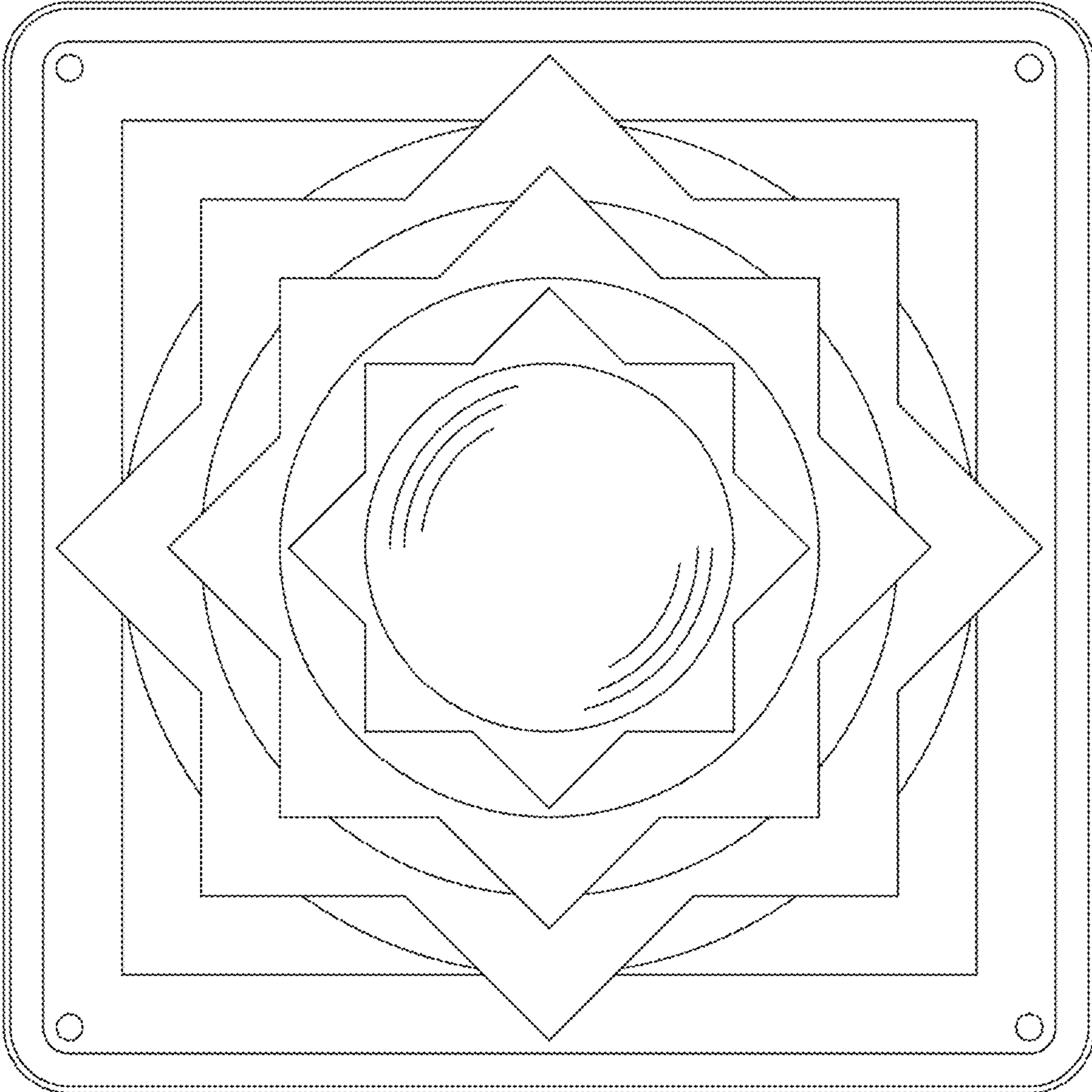


FIG.3

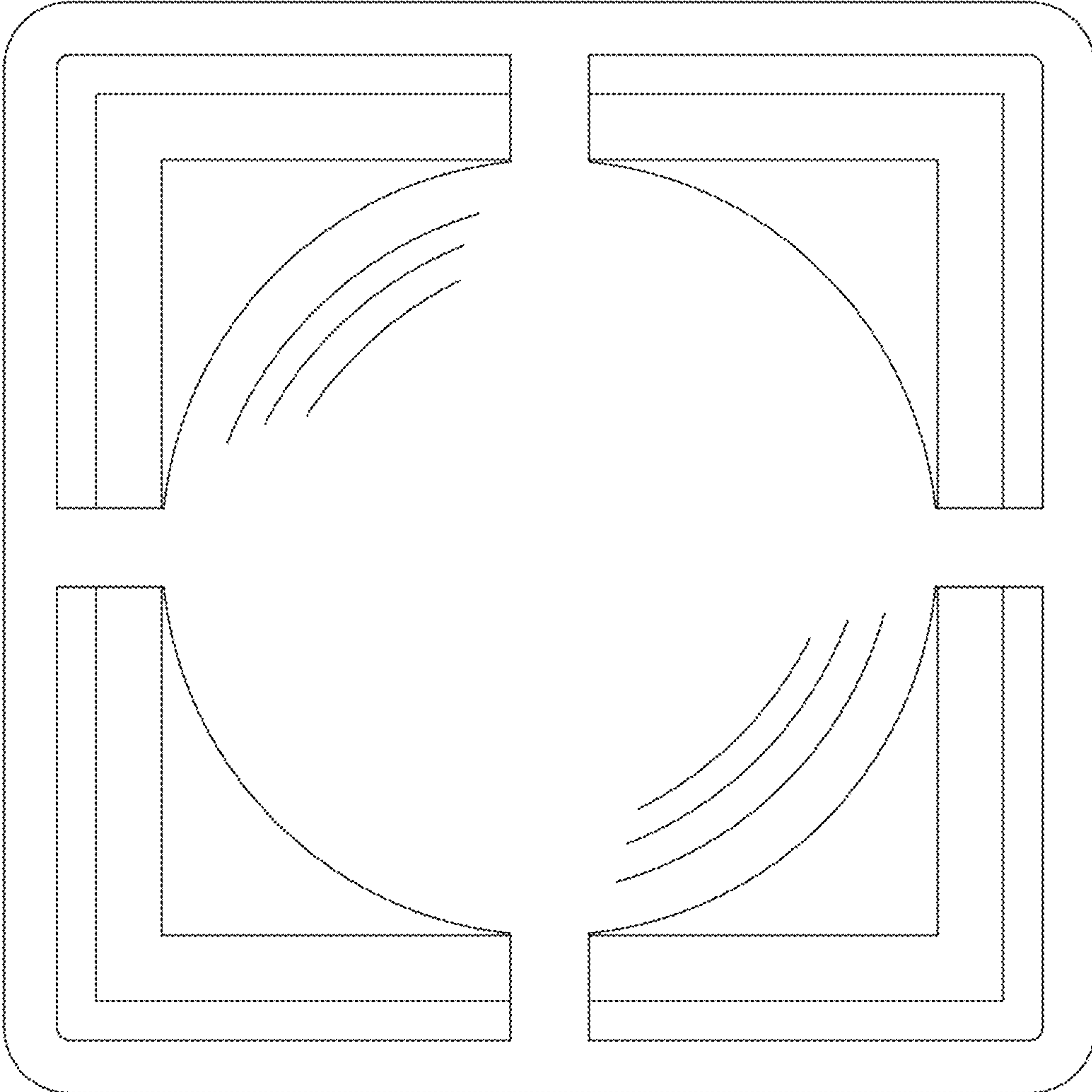


FIG.4

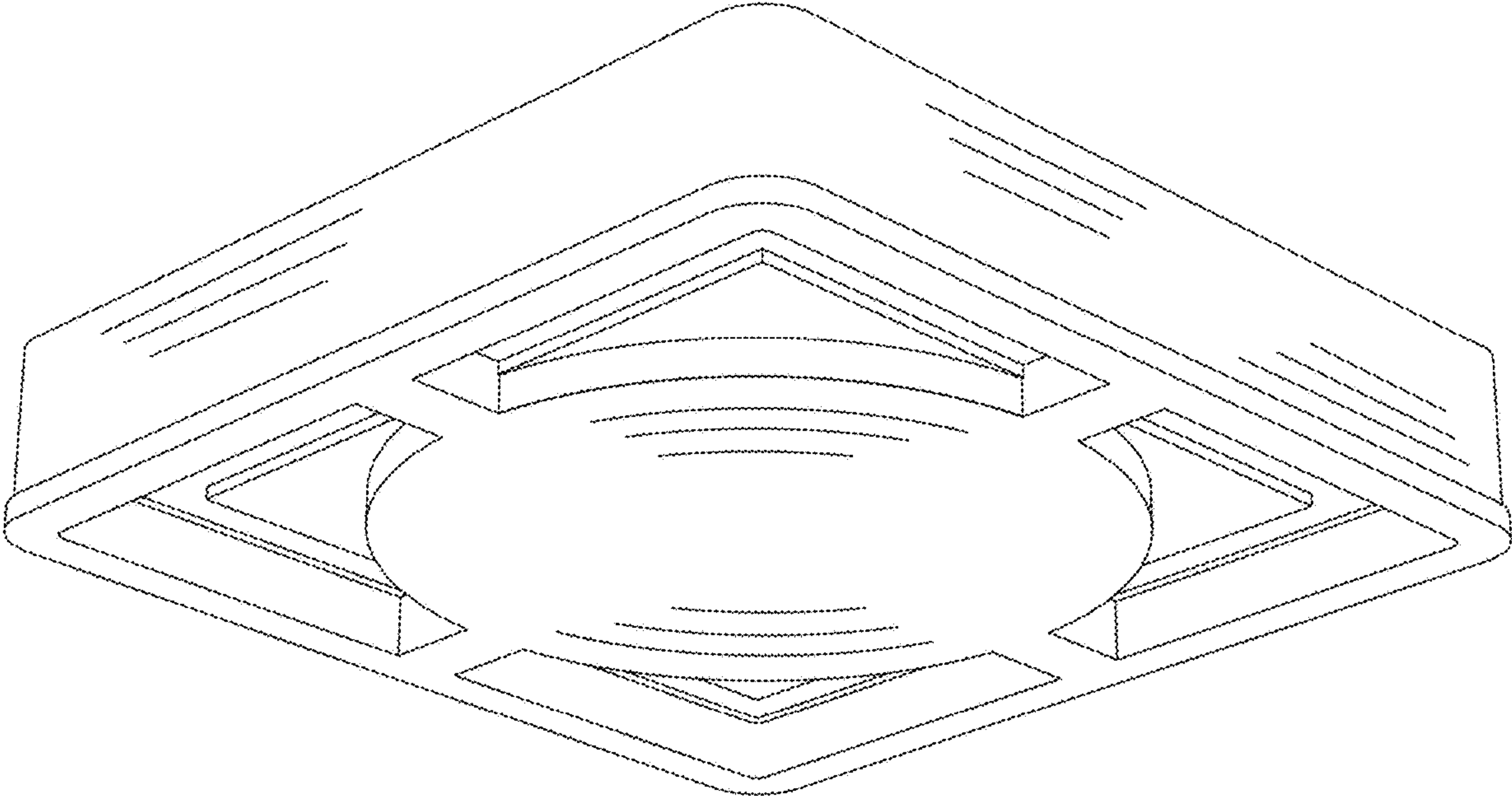


FIG.5