



US00D988849S

(12) **United States Design Patent**
Woolman et al.

(10) **Patent No.:** **US D988,849 S**

(45) **Date of Patent:** **** Jun. 13, 2023**

- (54) **TOOL HOLDER**
- (71) Applicant: **ShurTech Brands, LLC**, Avon, OH (US)
- (72) Inventors: **Daniel Woolman**, London (GB); **Stuart Woolman**, Charlotte, NC (US); **Heidi Carrion**, Avon, OH (US)
- (73) Assignee: **SHURTAPE TECHNOLOGIES, LLC**, Hickory, NC (US)
- (**) Term: **15 Years**
- (21) Appl. No.: **29/734,308**
- (22) Filed: **May 11, 2020**
- (51) **LOC (14) Cl.** **08-11**
- (52) **U.S. Cl.**
USPC **D8/373**
- (58) **Field of Classification Search**
USPC D8/71, 349, 373, 380, 374
CPC ... B63B 21/08; A47L 13/512; Y10T 24/3951;
F16G 11/106; F16B 2/10
See application file for complete search history.

(56) **References Cited**

U.S. PATENT DOCUMENTS

74,798 A *	2/1868	Comey	F16G 11/10 24/134 P
189,282 A *	4/1877	Strobridge	A47L 13/512 248/113
239,356 A *	3/1881	Warren	B25B 1/24 100/32
305,621 A *	9/1884	McGovern	F16B 2/16 24/134 P
D34,788 S *	7/1901	Martin	D8/373
1,065,585 A *	6/1913	Brothers	A63D 15/10 248/316.2
1,306,585 A *	6/1919	Droege	A47L 13/512 248/113

1,554,481 A *	9/1925	Andreck	A63D 15/10 211/68
1,563,817 A *	12/1925	Wright	A47L 13/512 248/113
1,589,616 A *	6/1926	Hubert	A47L 13/512 248/113
1,609,666 A *	12/1926	Settevig	A47L 13/512 248/113
1,798,028 A *	3/1931	Nachtigal	A47L 13/512 248/113
2,262,162 A *	11/1941	Bock	F16G 11/101 24/134 P
2,360,602 A *	10/1944	Waldrup	B66C 1/48 294/902
2,370,876 A *	3/1945	Richardson	A63D 15/10 248/113
D146,493 S *	3/1947	Wickesberg	A63D 15/10 D8/373
2,488,709 A *	11/1949	Colwell	B66C 1/48 267/155

(Continued)

Primary Examiner — Rachel A. Voorhies
Assistant Examiner — Benjamin D. Wannemacher
(74) *Attorney, Agent, or Firm* — Lippes Mathias LLP

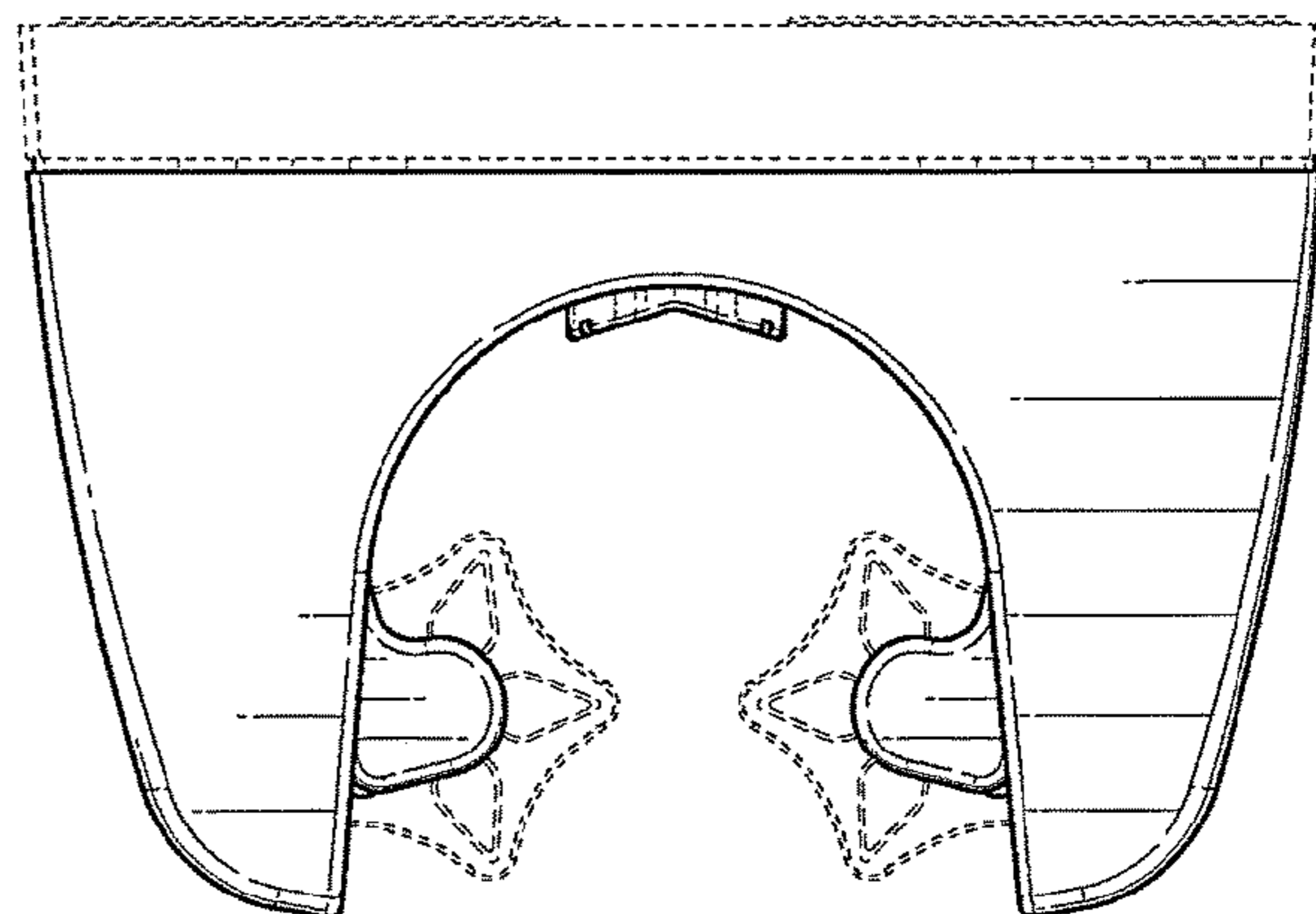
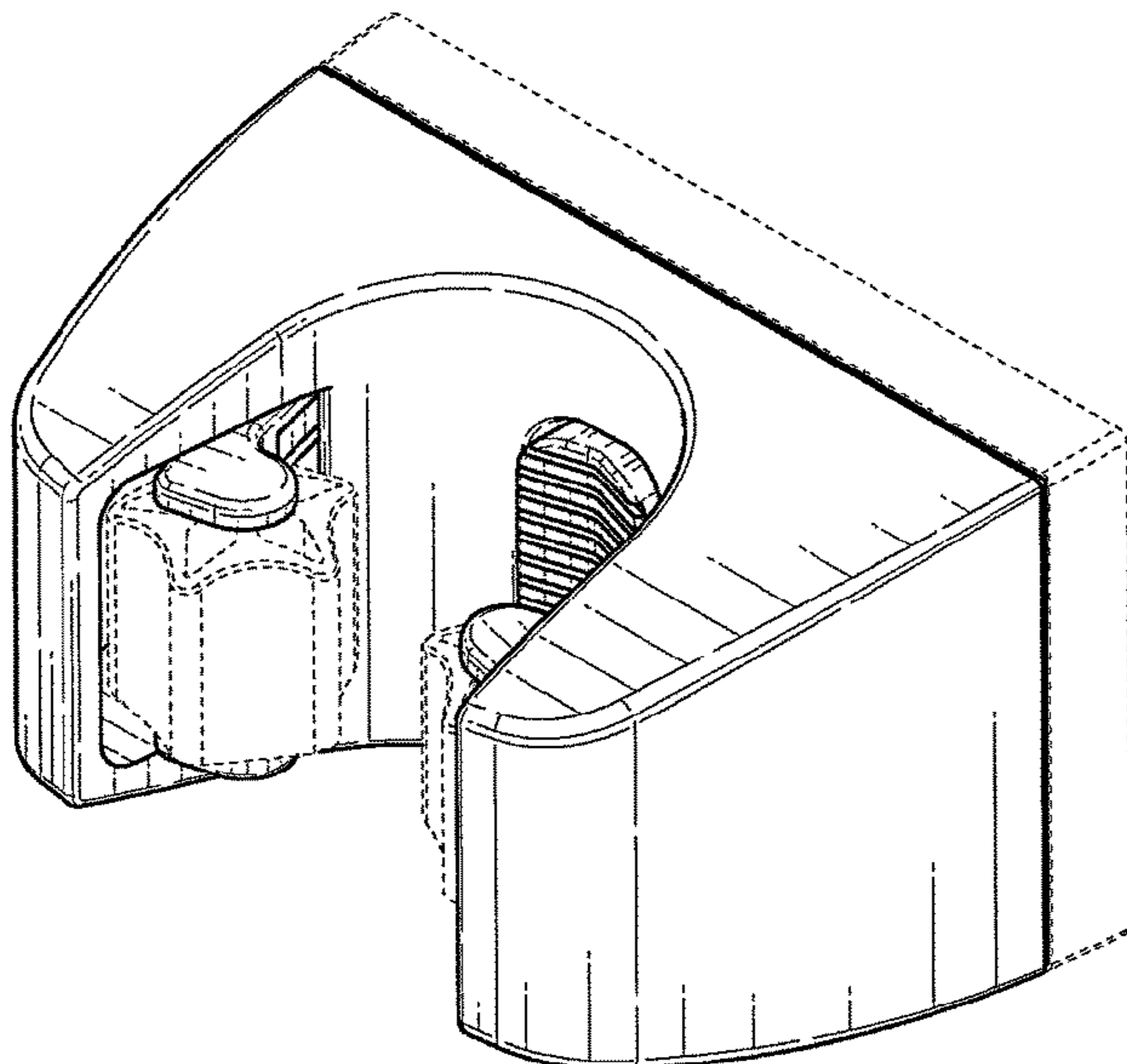
(57) **CLAIM**

The ornamental design for a tool holder, as shown and described.

DESCRIPTION

FIG. 1 is a perspective view of a tool holder; FIG. 2 is a front plan view thereof; FIG. 3 is a rear plan view thereof; FIG. 4 is a side view thereof, the opposed side appearing the same; FIG. 5 is a top end view thereof; and, FIG. 6 is a bottom end view thereof. The broken lines depict subject matter that forms no part of the claimed tool holder and are provided solely for illustrating the full tool holder.

1 Claim, 4 Drawing Sheets



(56)

References Cited

U.S. PATENT DOCUMENTS

D183,487 S *	9/1958	Hollander	A63C 11/02	D8/373	5,071,095 A *	12/1991	Newby	A47L 13/512	248/113
3,265,032 A *	8/1966	Hume	B63B 21/08	114/99	5,183,164 A *	2/1993	Heinzle	A63C 11/028	211/70.5
3,730,129 A *	5/1973	Helms	B63B 21/08	24/134 P	D337,494 S *	7/1993	Cox	D8/380	
3,750,611 A *	8/1973	Field	B63B 21/08	114/218	5,713,112 A *	2/1998	Genero	E05C 19/024	269/238
3,765,061 A *	10/1973	Nash	A43C 7/08	24/134 P	6,105,915 A *	8/2000	Naman	A47L 13/512	248/113
3,795,218 A *	3/1974	Merry	B63B 21/08	114/218	D443,489 S *	6/2001	Walser	D8/51	
4,084,532 A *	4/1978	Feder	B63B 21/08	114/218	6,474,612 B2 *	11/2002	Ross, Jr.	A63D 15/10	248/316.2
4,134,499 A *	1/1979	Joswig	B25H 3/04	248/316.3	6,533,234 B2 *	3/2003	Dervaes	B25B 11/00	248/316.3
4,217,847 A *	8/1980	McCloud	B63B 21/08	188/65.1	D543,838 S *	6/2007	Yoshiguchi	B25H 3/04	D8/373
4,397,253 A *	8/1983	Uecker	F16G 11/106	D8/382	7,287,304 B2 *	10/2007	Zebe, Jr.	F16G 11/106	24/134 P
D270,880 S *	10/1983	Poland	D6/552		D637,068 S *	5/2011	Pearl	D8/373	
4,620,499 A *	11/1986	Slemmons	B63B 21/08	24/134 P	D651,069 S *	12/2011	Pearl	D8/373	
4,766,835 A *	8/1988	Randall	F16G 11/106	24/134 P	D659,520 S *	5/2012	Stock	A47L 13/512	D8/373
4,798,298 A *	1/1989	Ursetta	A47B 81/00	D6/552	8,403,958 B2 *	3/2013	Schwab	A61B 17/8605	606/246
4,899,423 A *	2/1990	Randall	A43C 7/08	24/134 P	8,438,774 B2 *	5/2013	Sharp	F41C 27/00	42/90
						9,611,875 B2 *	4/2017	Likosar	A63C 11/02	
						10,569,138 B2 *	2/2020	Lob	A63B 29/02	
						2011/0114580 A1 *	5/2011	Chen	B25H 3/04	211/70.6
						2012/0049020 A1 *	3/2012	Stock	B25H 3/04	248/316.5

* cited by examiner

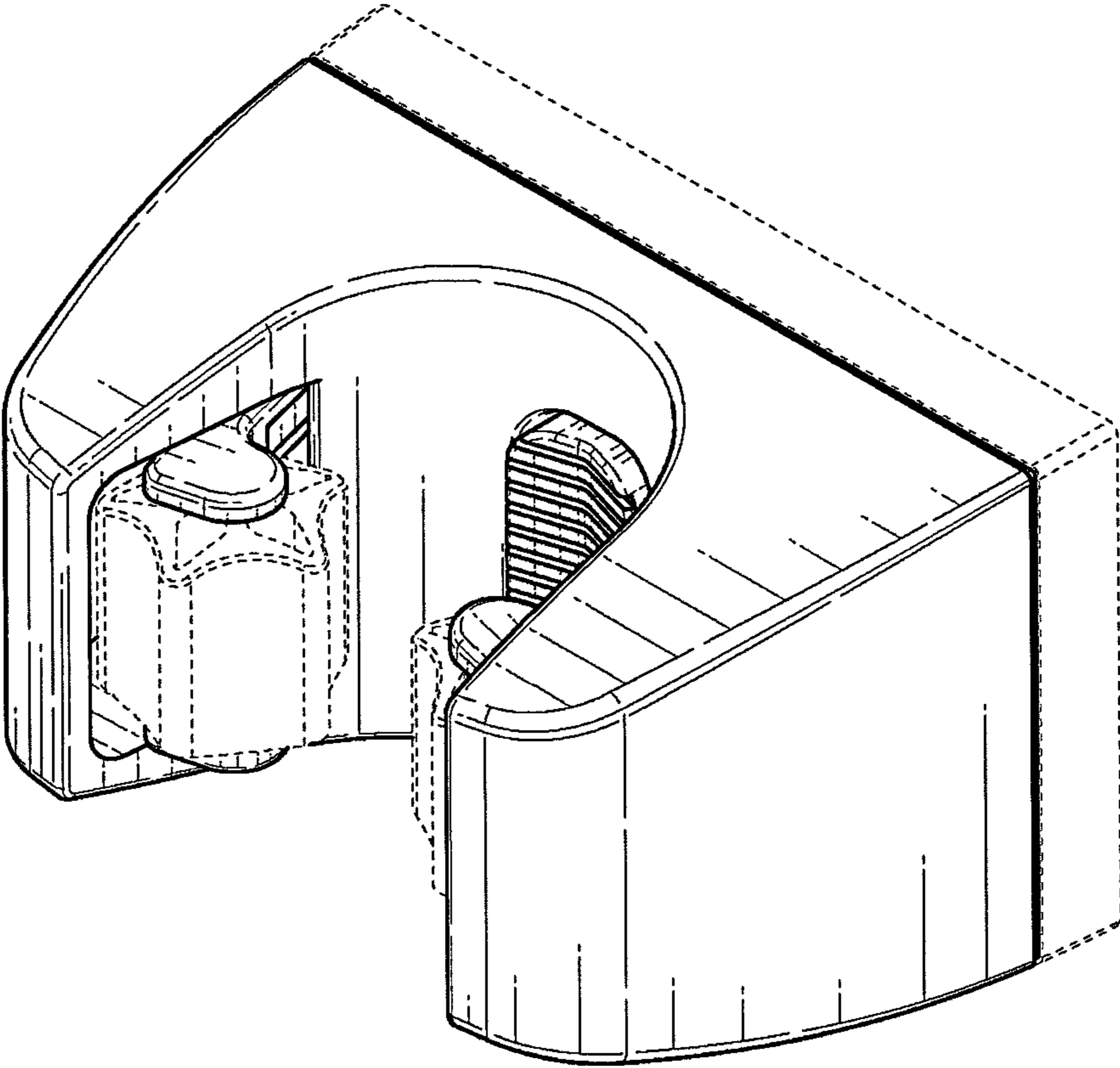


FIG. 1

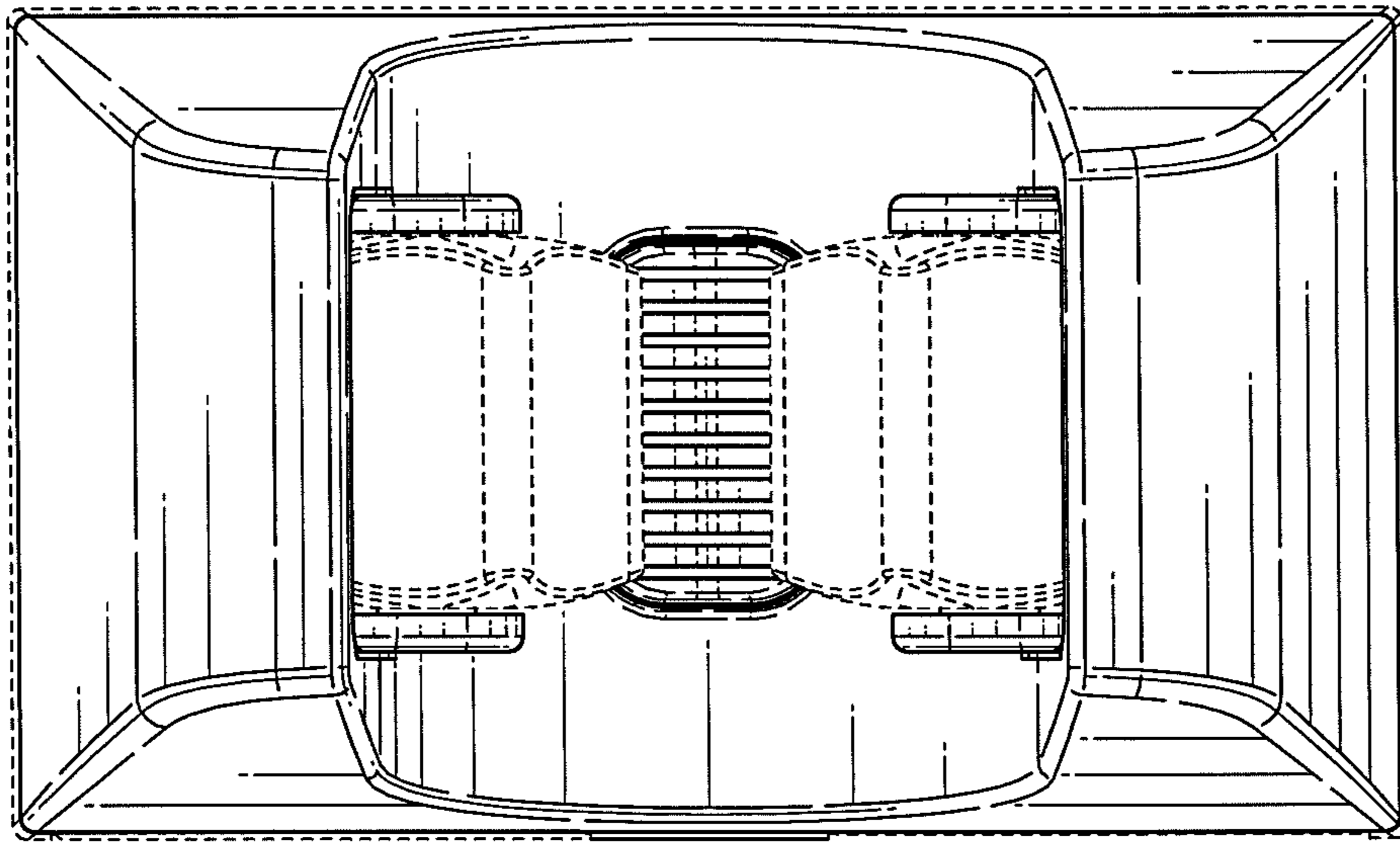


FIG. 2

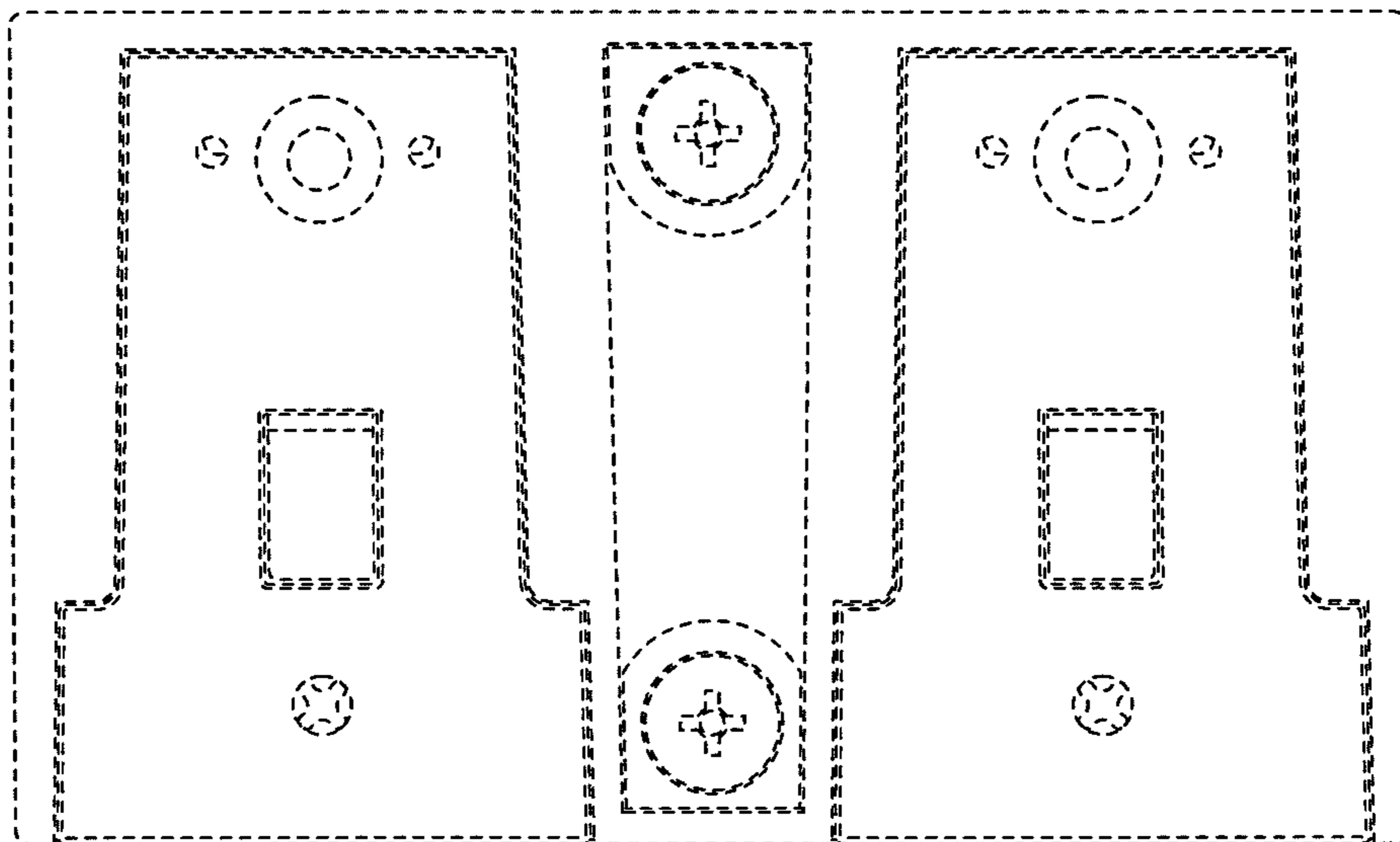


FIG. 3

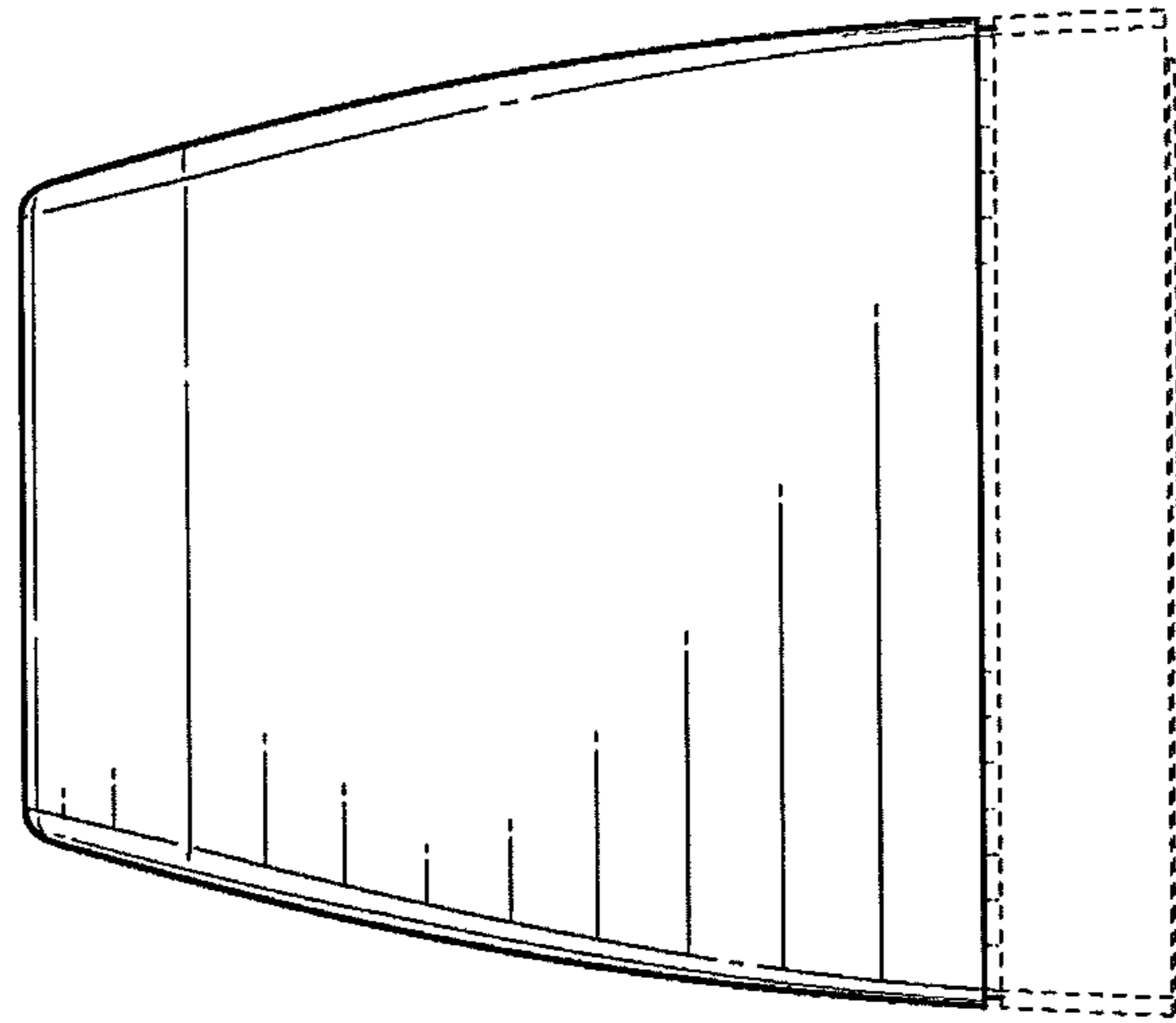


FIG. 4

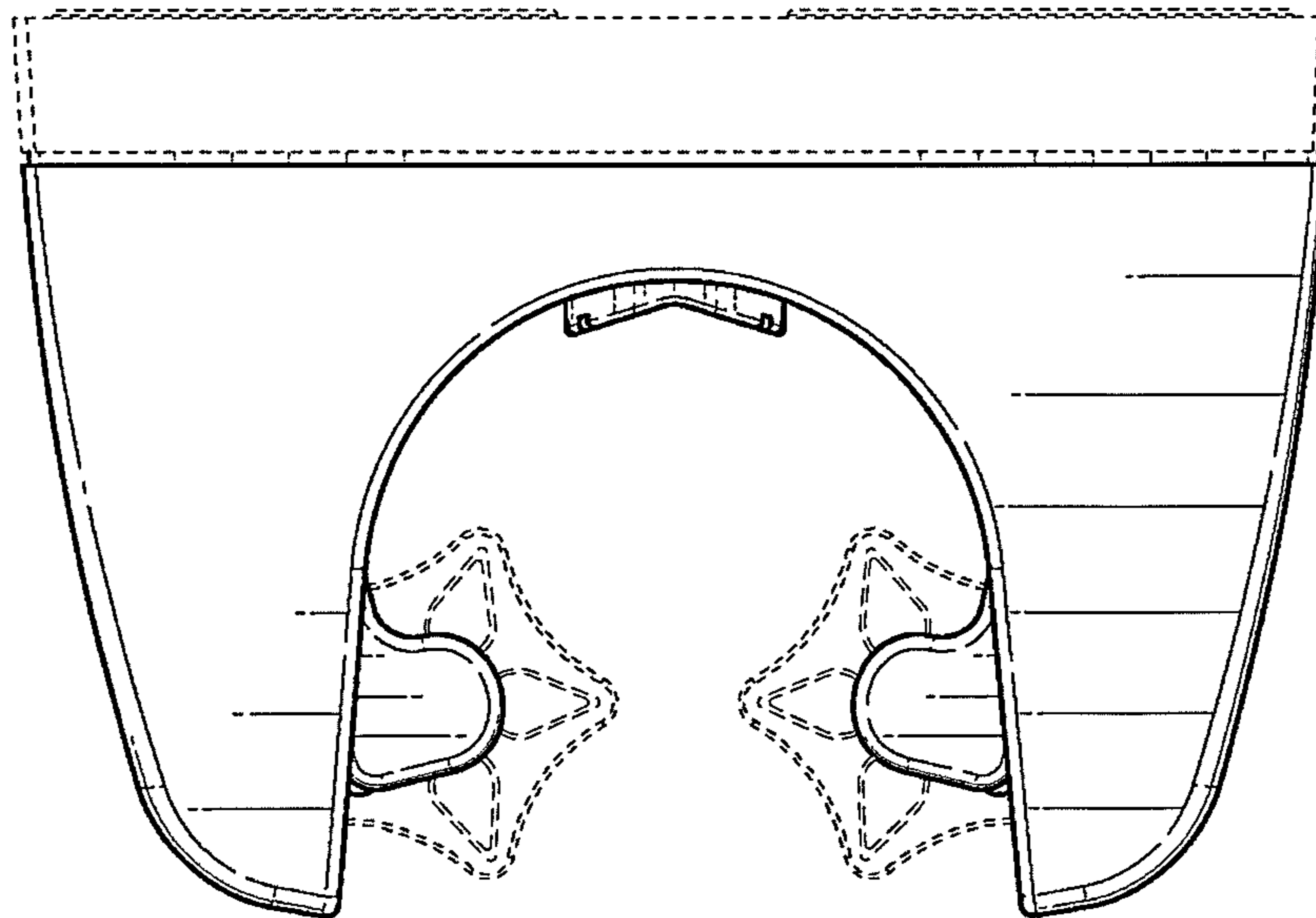


FIG. 5

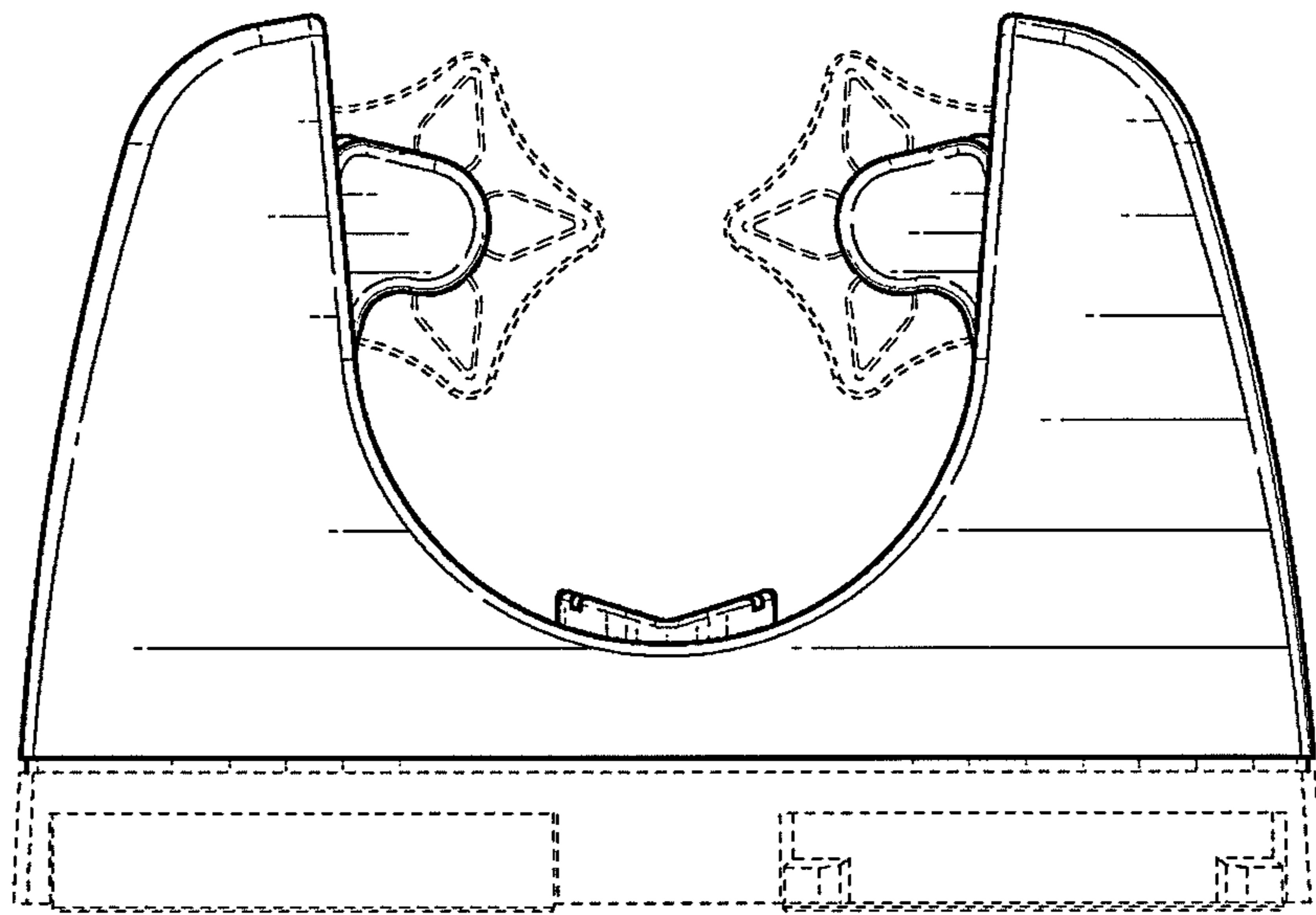


FIG. 6