



US00D988848S

(12) **United States Design Patent** (10) **Patent No.:** **US D988,848 S**
Xi (45) **Date of Patent:** **** Jun. 13, 2023**

(54) **HOOK PLATE**
(71) Applicant: **Miaoshan Xi**, Shenzhen (CN)
(72) Inventor: **Miaoshan Xi**, Shenzhen (CN)
(**) Term: **15 Years**
(21) Appl. No.: **29/889,011**
(22) Filed: **Apr. 6, 2023**
(51) **LOC (14) Cl.** **08-11**
(52) **U.S. Cl.**
USPC **D8/367; D8/372**
(58) **Field of Classification Search**
USPC D8/367, 354, 349, 373, 356, 372;
D6/323, 552, 567, 682.2, 569, 553;
248/301-304, 339
CPC . A47G 1/00; A47G 25/00; A47G 1/17; A47G
29/083; F16B 47/003; F16B 2/248; E04H
17/124; A47H 1/142
See application file for complete search history.

D706,614 S 6/2014 Schraufnagel et al.
D809,371 S * 2/2018 Forrest D8/372
D829,538 S 10/2018 Kim et al.
D850,814 S * 6/2019 York D6/552
D863,124 S * 10/2019 Siegel D12/162
D945,790 S * 3/2022 Lan D6/553
D957,171 S * 7/2022 Smith D6/682.2
D971,713 S * 12/2022 Huang D12/162
D983,560 S * 4/2023 Wang D6/552

* cited by examiner

Primary Examiner — Cynthia R Underwood
(74) *Attorney, Agent, or Firm* — Kunzler Bean & Adamson, PC; Michael Bartholomew

(57) **CLAIM**

The ornamental design for a hook plate, as shown and described.

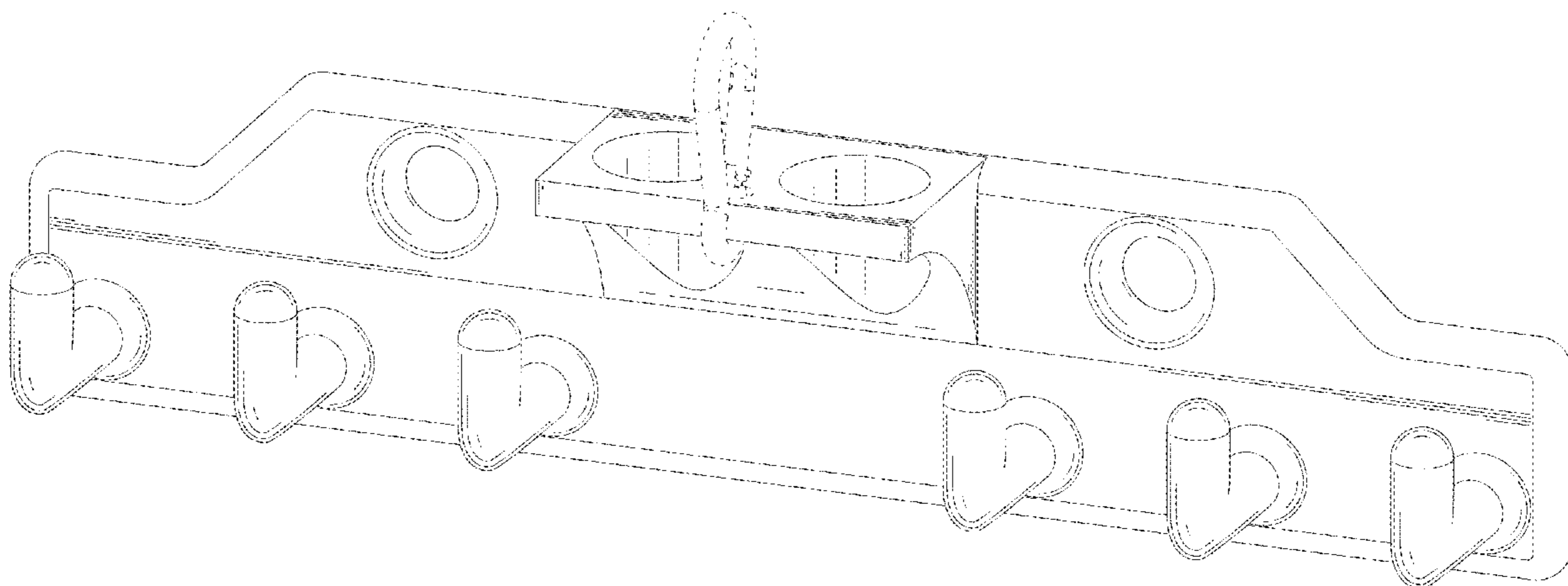
DESCRIPTION

FIG. 1 is a front, right and top perspective view of a hook plate, showing my design.
FIG. 2 is a rear, left and top perspective view thereof.
FIG. 3 is a front elevation view thereof.
FIG. 4 is a rear elevation view thereof.
FIG. 5 is a left side elevation view thereof.
FIG. 6 is a right side elevation view thereof.
FIG. 7 is a top plan view thereof; and,
FIG. 8 is a bottom plan view thereof.
The broken lines depict portions of the hook plate that form no part of the claimed design.

(56) **References Cited**
U.S. PATENT DOCUMENTS

D324,314 S * 3/1992 Licari D8/372
D331,855 S * 12/1992 Kaplan D8/367
D458,070 S * 6/2002 Bennett D6/567
D496,817 S * 10/2004 Martin D6/553
D609,954 S * 2/2010 Barkdoll D6/567
D633,372 S * 3/2011 Ayrest D8/372
D673,404 S * 1/2013 Grandidier D6/569

1 Claim, 8 Drawing Sheets



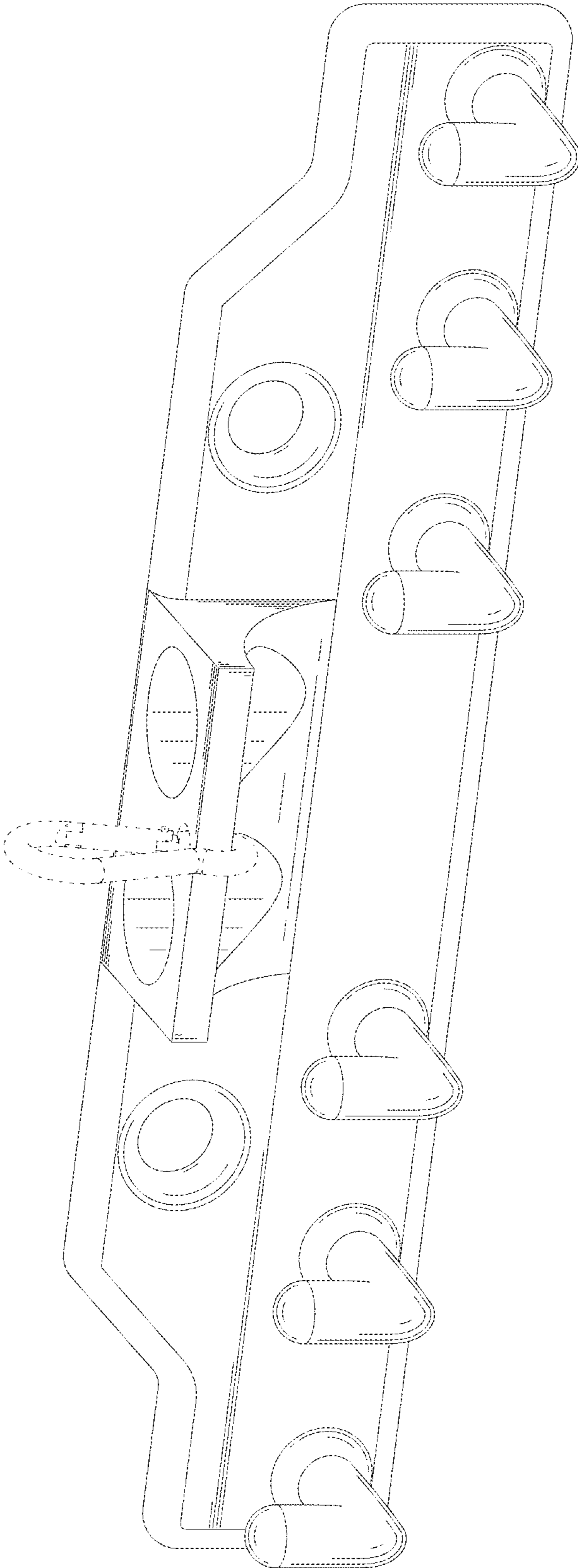


FIG.1

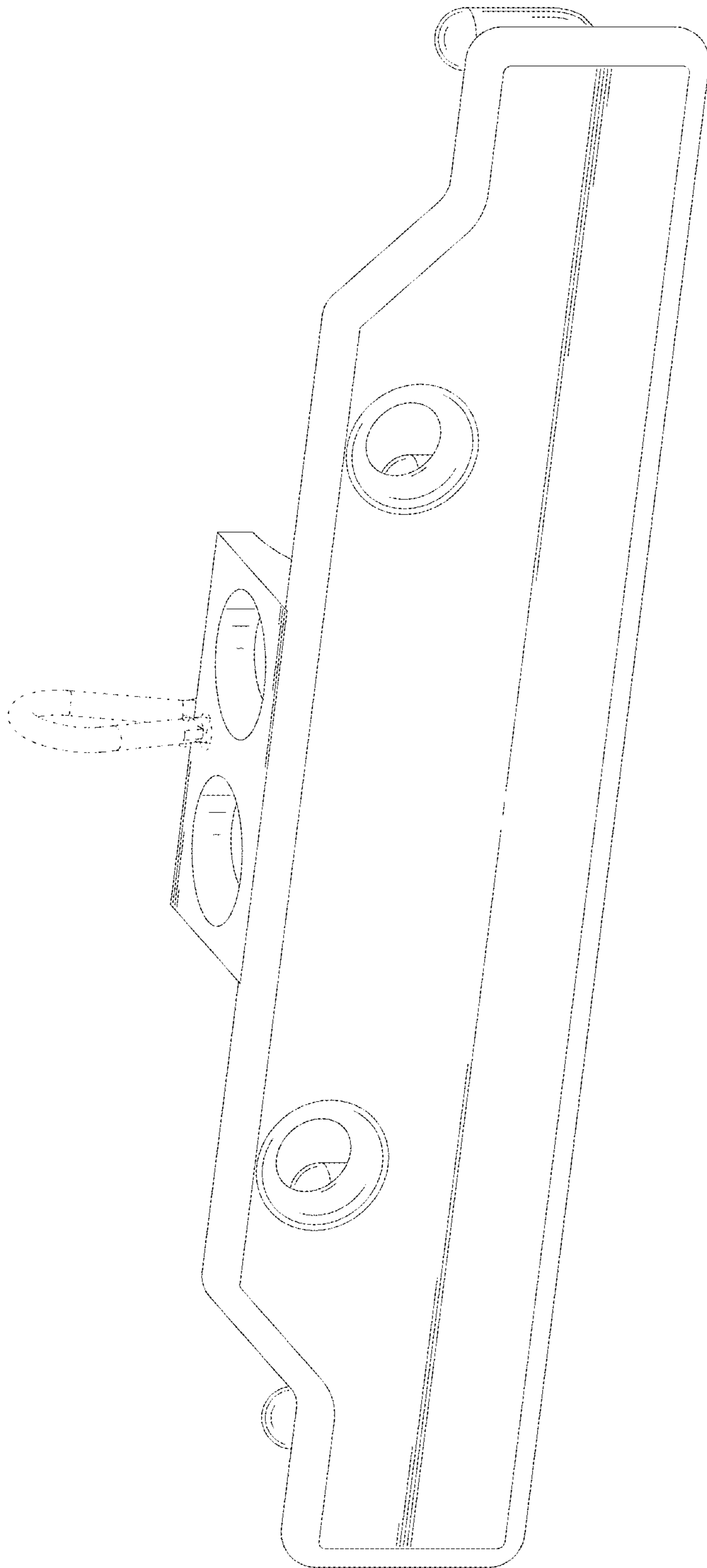


FIG.2

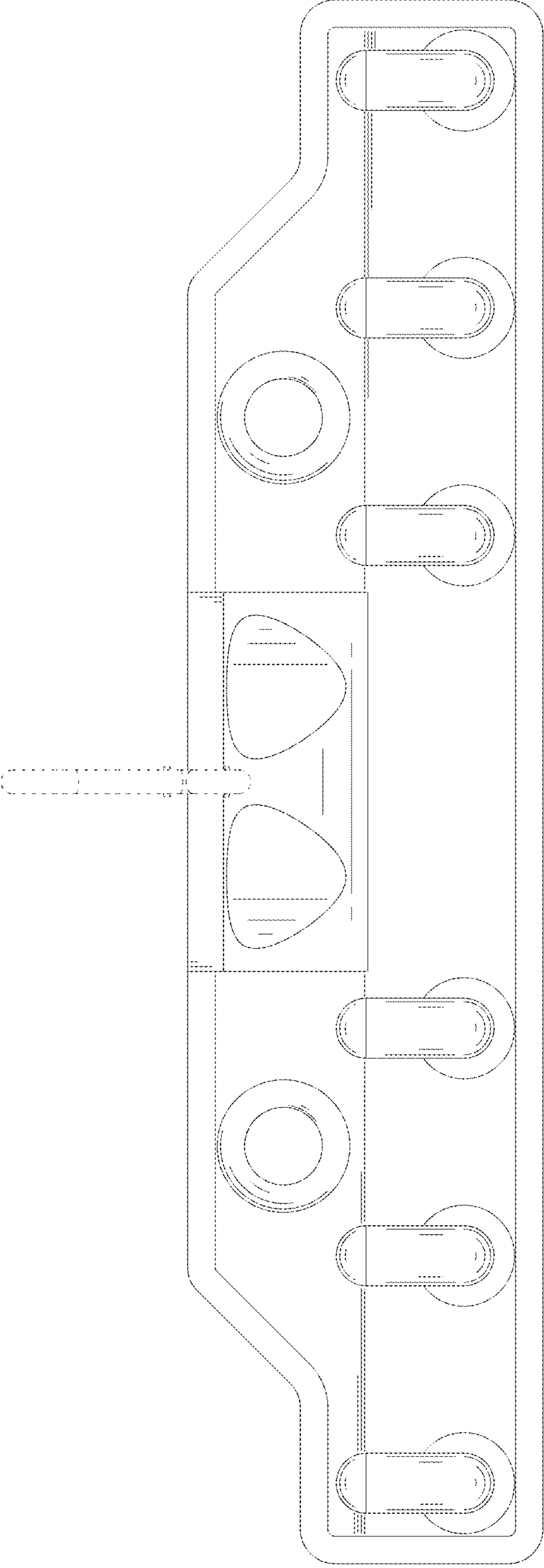


FIG. 3

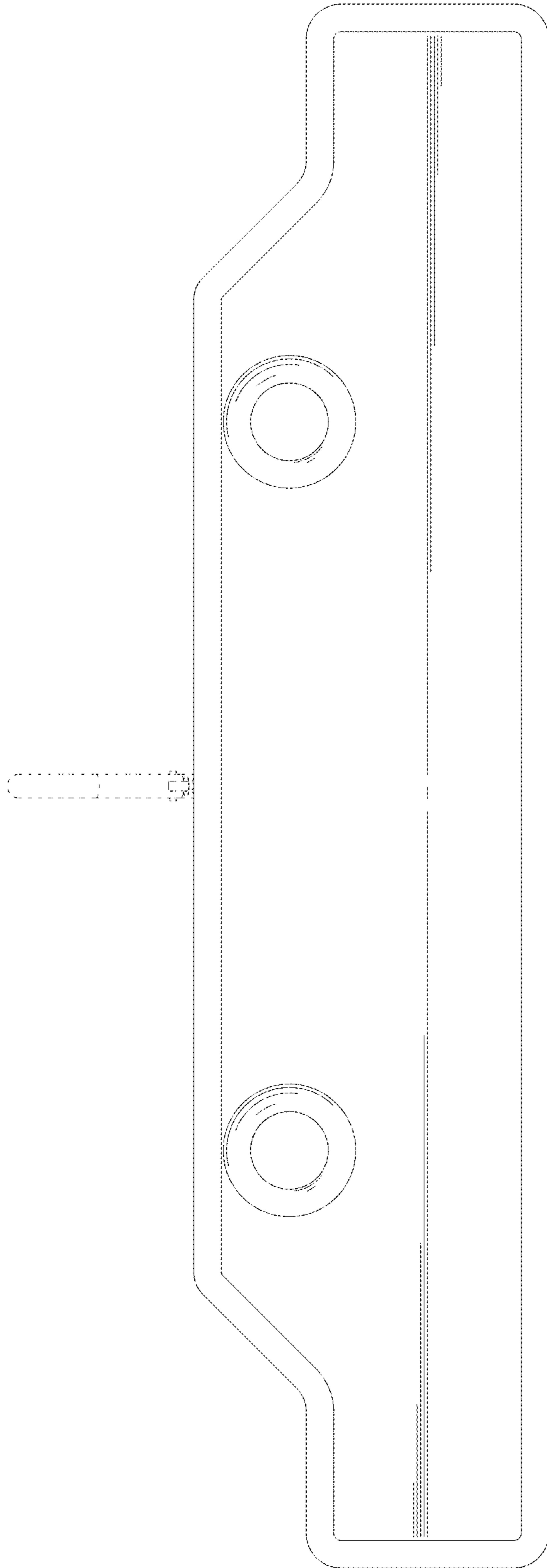


FIG.4

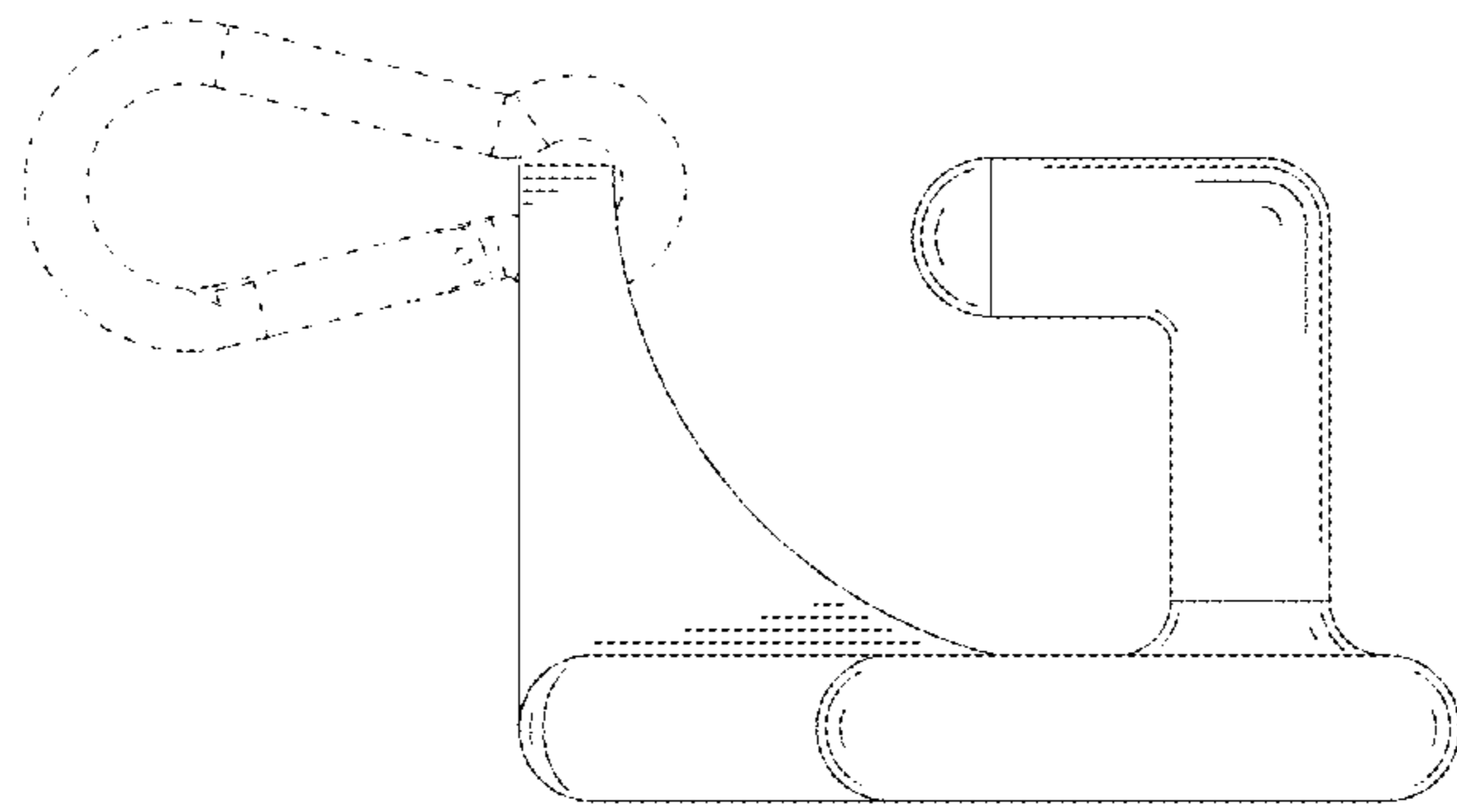


FIG. 5

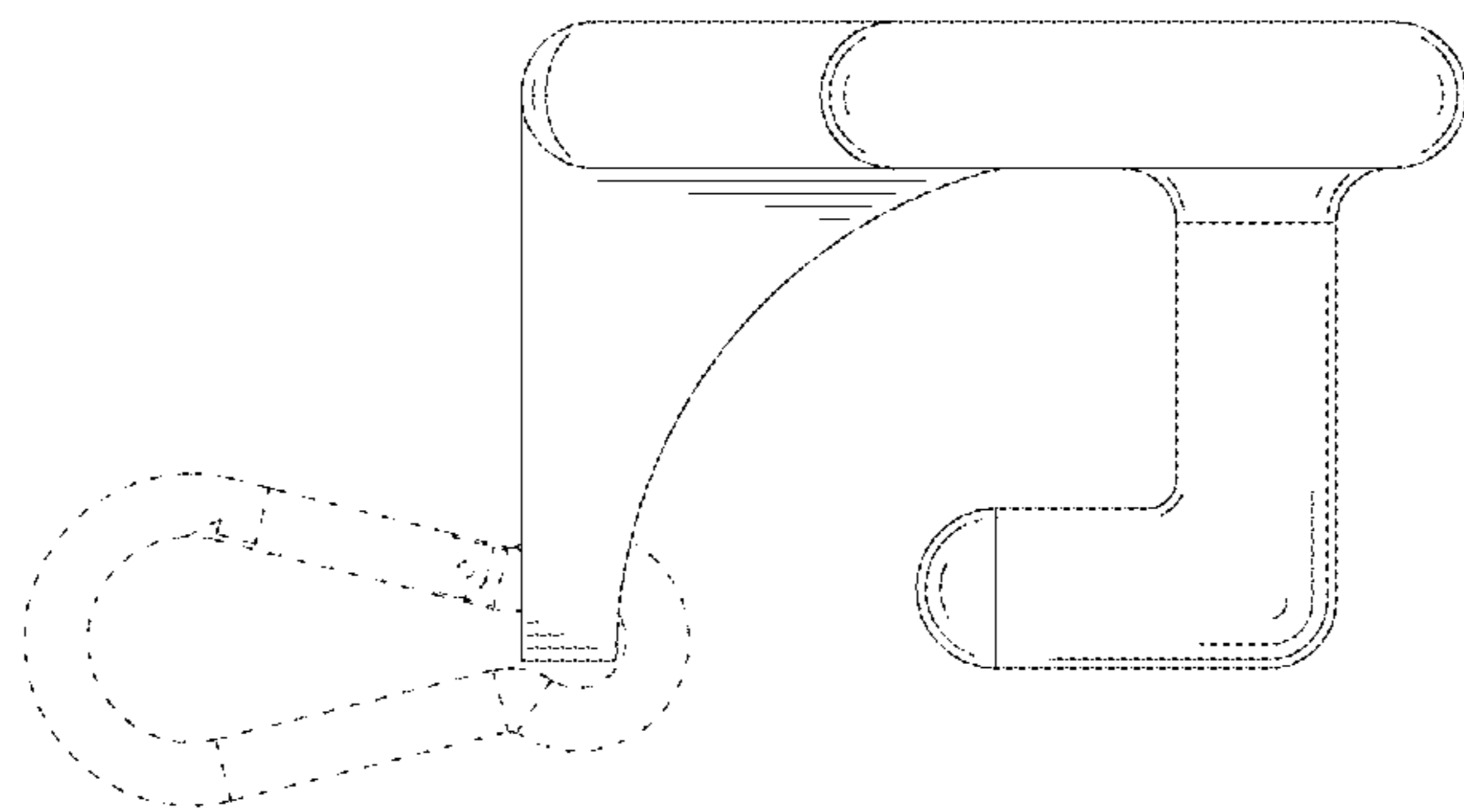


FIG. 6

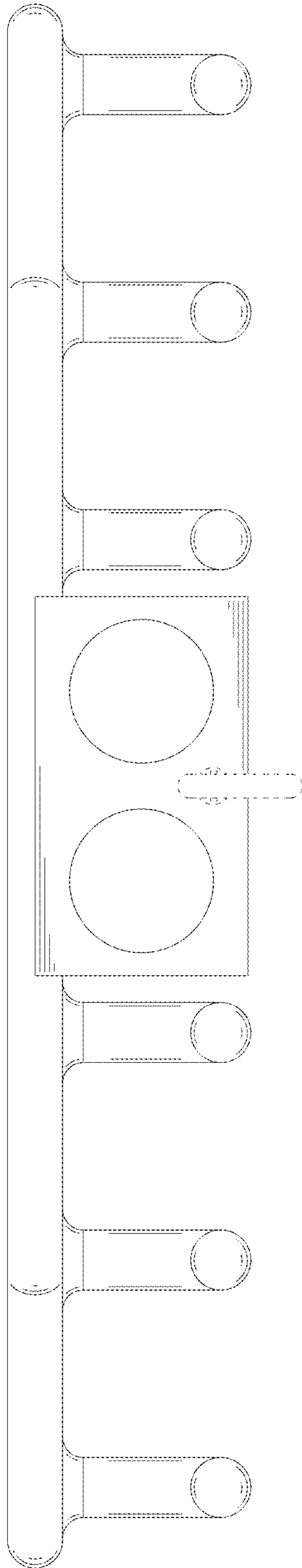


FIG. 7

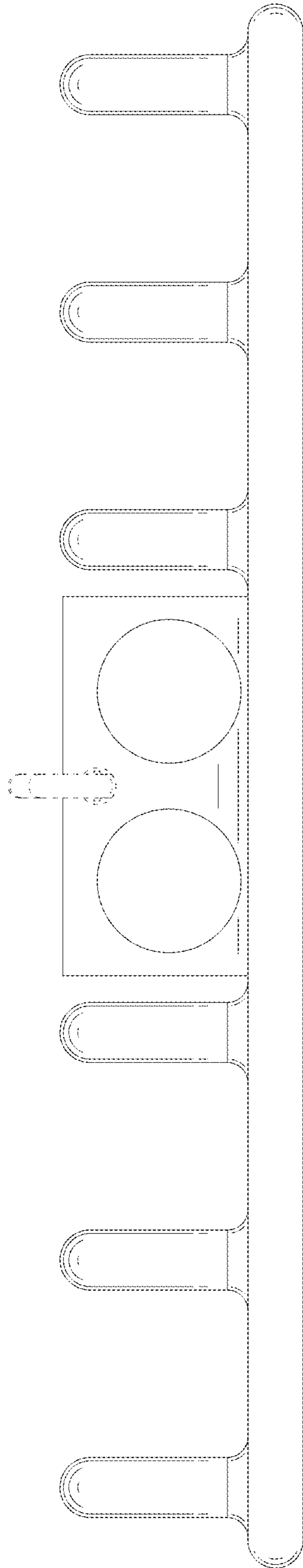


FIG. 8