



US00D988845S

(12) **United States Design Patent**
Stevens

(10) **Patent No.:** **US D988,845 S**

(45) **Date of Patent:** **** Jun. 13, 2023**

(54) **EXHIBIT BRACKET**

(71) Applicant: **Potter Belmar Labs LLC**, Ann Arbor, MI (US)

(72) Inventor: **Jason Jay Stevens**, Ann Arbor, MI (US)

(73) Assignee: **Potter Belmar Labs LLC**, Ann Arbor, MI (US)

(**) Term: **15 Years**

(21) Appl. No.: **29/802,685**

(22) Filed: **Aug. 6, 2021**

(51) **LOC (14) Cl.** **08-11**

(52) **U.S. Cl.**
USPC **D8/363**

(58) **Field of Classification Search**
USPC D8/373, 363, 366; D6/323, 367;
D25/127, 61, 62, 249

CPC A47F 5/08; A47B 96/061; A47B 57/562;
A47B 73/00; A47B 81/007; A47B 96/027; A01K 5/02; A01K 5/0225; A01K 5/0266; A01K 5/0291; A01K 5/00; F16M 13/02; F16M 13/022; F16M 11/10; F16M 2200/024; A22B 5/00; A22B 5/06; A01M 31/008; A01M 31/00; A01M 31/02; A47G 25/08; B66D 3/04; H01Q 1/1228; A45F 3/26

See application file for complete search history.

(56) **References Cited**

U.S. PATENT DOCUMENTS

D45,918 S *	6/1914	Strong	D8/366
D46,297 S *	8/1914	Smith	D8/380
D82,261 S *	10/1930	Honigbaum	D8/372
D160,028 S *	9/1950	Spencer	D8/381
D198,318 S *	6/1964	Grasso	D8/373
D233,017 S *	10/1974	Hall	D20/43

D244,006 S *	4/1977	Vanderley	D8/381
D245,134 S *	7/1977	Friedberg	D6/324
D251,343 S *	3/1979	Hansen	D8/356
D252,787 S *	9/1979	Jefferson	D8/18
D276,195 S *	11/1984	Smith	D8/380
D301,977 S *	7/1989	Moody	D8/373
5,076,536 A *	12/1991	Fitzgerald	E01C 19/502 403/108
D324,784 S *	3/1992	Rose	D6/324
D334,135 S *	3/1993	Fraker	D8/381
D335,815 S *	5/1993	Sachs	D8/363
D341,819 S *	11/1993	Carlstrom	D8/381
D359,379 S *	6/1995	Haviland	D26/140
D369,293 S *	4/1996	Gusdorf	D8/381
D381,967 S *	8/1997	Tatsumi	D14/452
D411,738 S *	6/1999	Raasch	D8/381
D430,030 S *	8/2000	DuCorday	D9/443
D494,045 S *	8/2004	Van Essen	D8/366

(Continued)

Primary Examiner — Eliza Z Harvey

Assistant Examiner — Kayla Marie Bennett

(74) *Attorney, Agent, or Firm* — Quinn IP Law

(57) **CLAIM**

The ornamental design for an exhibit bracket, as shown and described.

DESCRIPTION

FIG. 1 illustrates a design for an exhibit bracket, in perspective view;

FIG. 2 is a right side view, thereof;

FIG. 3 is a left side view, thereof;

FIG. 4 is a front view, thereof;

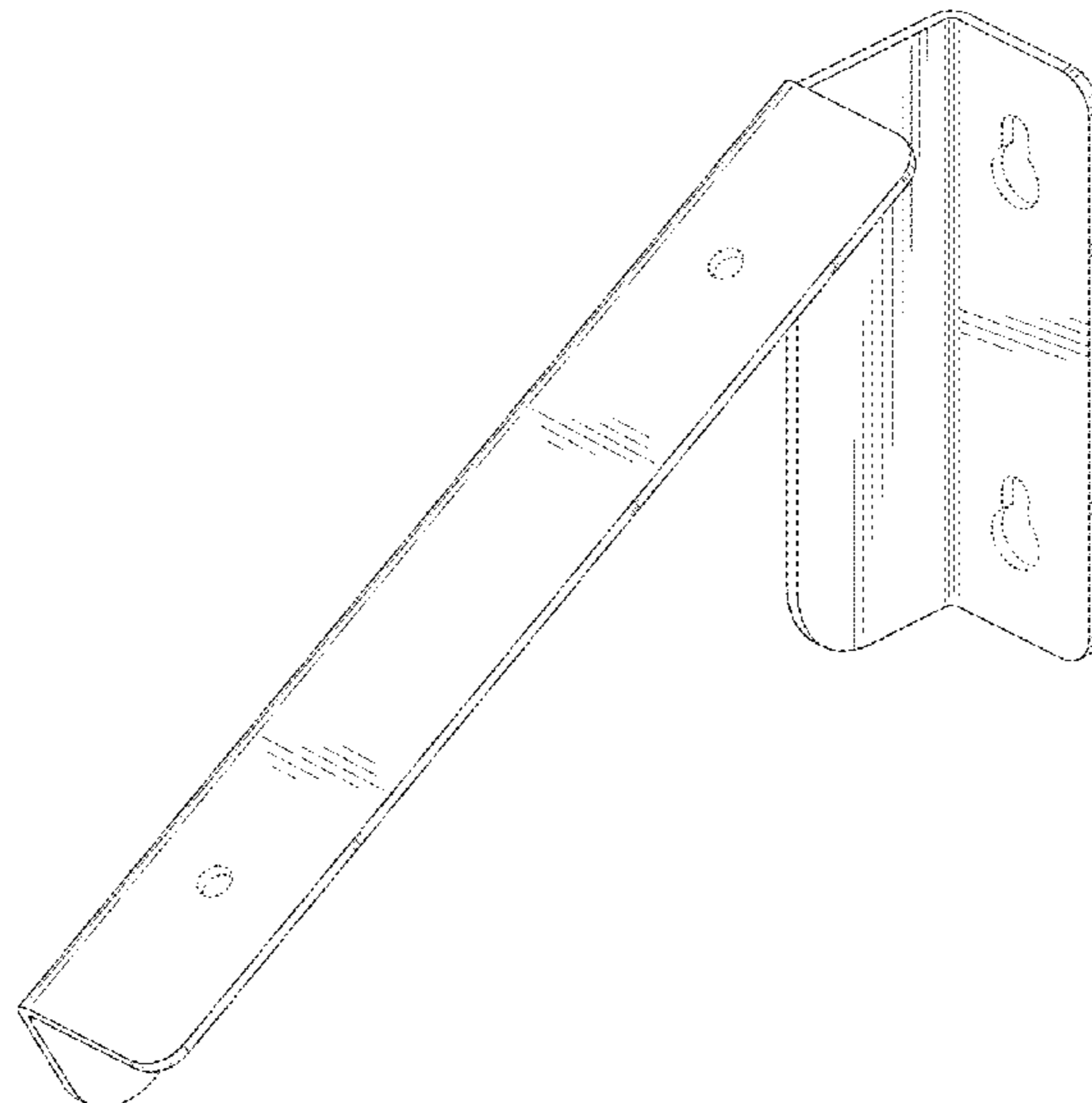
FIG. 5 is a rear view, thereof;

FIG. 6 is a top view, thereof; and,

FIG. 7 is a bottom view, thereof.

All broken lines represent structure or features that form no part of the claimed design. Specifically, the dash broken lines form portions of the exhibit bracket that are unclaimed and/or portions of environmental structure.

1 Claim, 3 Drawing Sheets



(56)

References Cited

U.S. PATENT DOCUMENTS

D517,402	S	*	3/2006	Cairns	D8/381
D530,596	S	*	10/2006	Aldeghi	D8/381
D543,834	S	*	6/2007	Worthy	D8/354
D547,640	S	*	7/2007	Remmers	D8/381
D548,064	S	*	8/2007	Norton	D8/380
D551,538	S	*	9/2007	Pearce	D8/354
D555,466	S	*	11/2007	Hennig	D6/571
D565,054	S	*	3/2008	Anderson	D14/452
D583,223	S	*	12/2008	Bunn, Sr.	D8/371
D596,015	S	*	7/2009	Scarcello	D8/354
D605,931	S	*	12/2009	Piersant	D8/381
D605,932	S	*	12/2009	Piersant	D8/381
D646,840	S	*	10/2011	Polka	D26/138
D657,231	S	*	4/2012	Springer	D14/239
D662,341	S	*	6/2012	Sanders	D6/705
D666,898	S	*	9/2012	McMahon	D8/373
D685,253	S	*	7/2013	Hiebert	D8/349
D690,188	S	*	9/2013	Pontus	D8/349
D695,090	S	*	12/2013	White	D8/354
D706,122	S	*	6/2014	Cayouette	D8/381
D730,720	S	*	6/2015	Nowak	D8/355
D733,531	S	*	7/2015	Tonthat	D8/354
D754,405	S	*	4/2016	Herde	D30/121
D769,698	S	*	10/2016	Oltrogge	D8/349
D787,899	S	*	5/2017	Lannan	D7/688
D805,880	S	*	12/2017	Bright	D8/381
D816,466	S	*	5/2018	Gomez	D8/363
D846,372	S	*	4/2019	Wu	D8/373
D850,245	S	*	6/2019	Bright	D8/380
D851,482	S	*	6/2019	Ferman	D8/381
D867,112	S	*	11/2019	Taylor	D8/363
D891,912	S	*	8/2020	Underwood	D8/380

* cited by examiner

FIG. 1

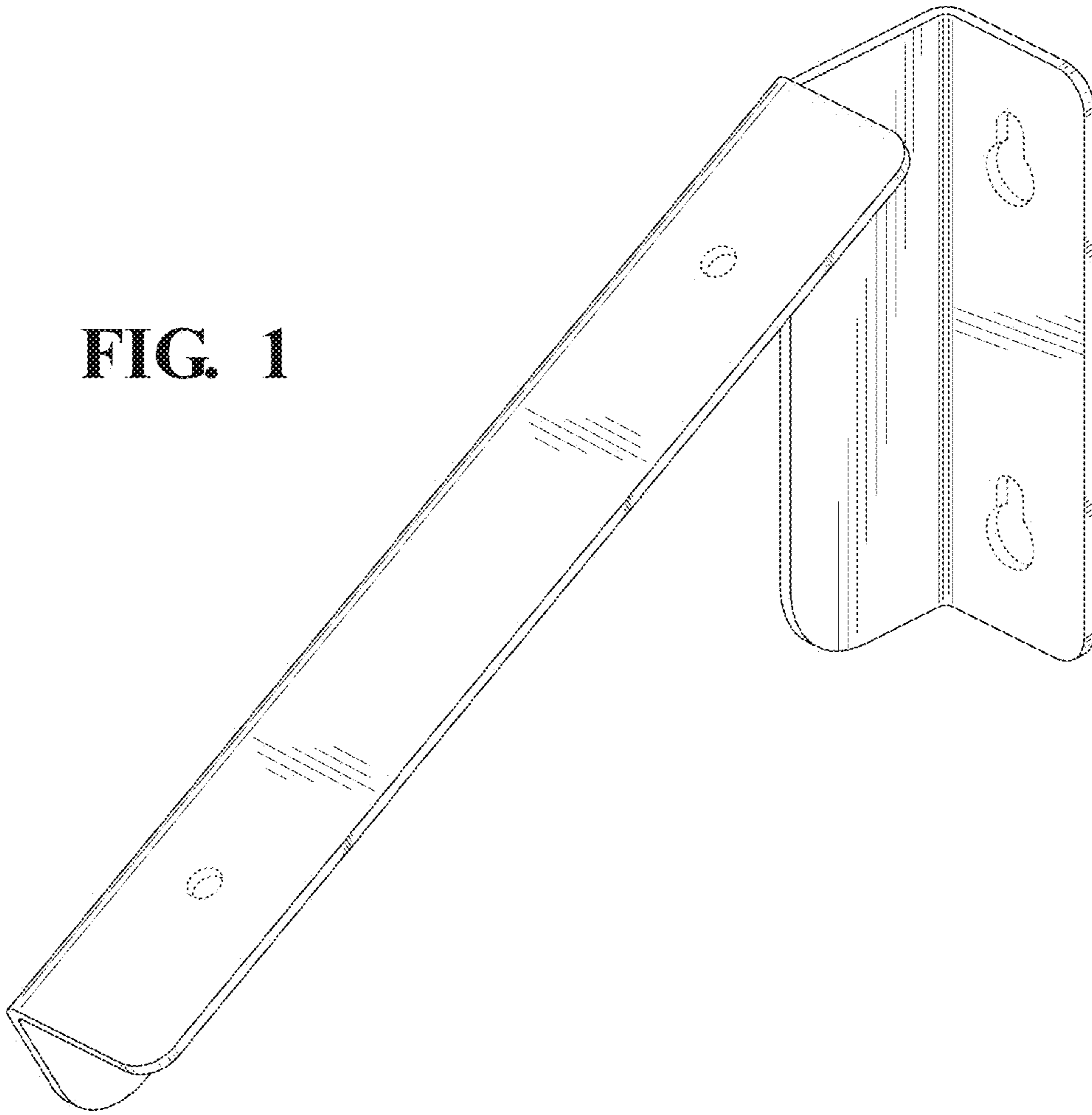
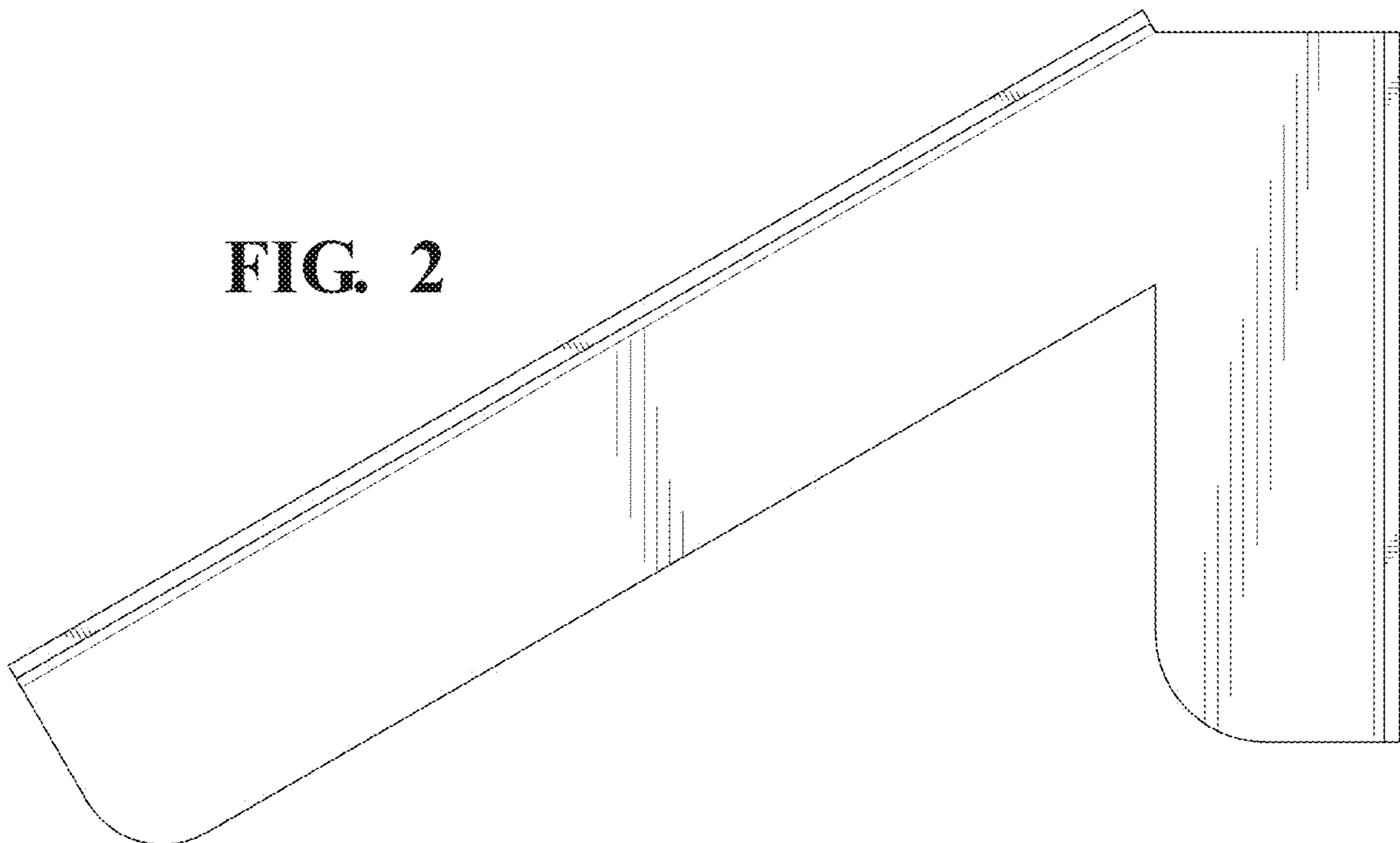


FIG. 2



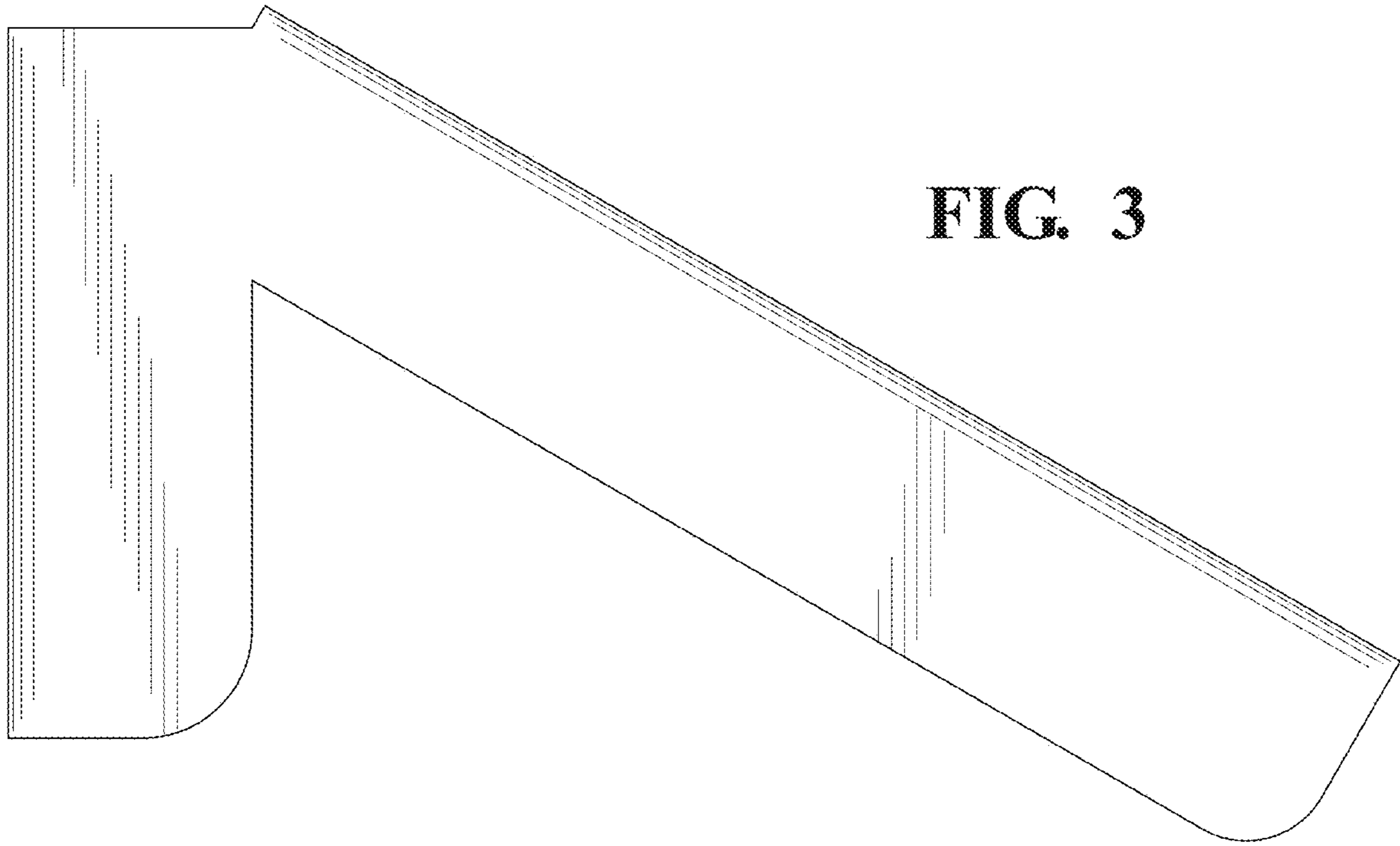


FIG. 3

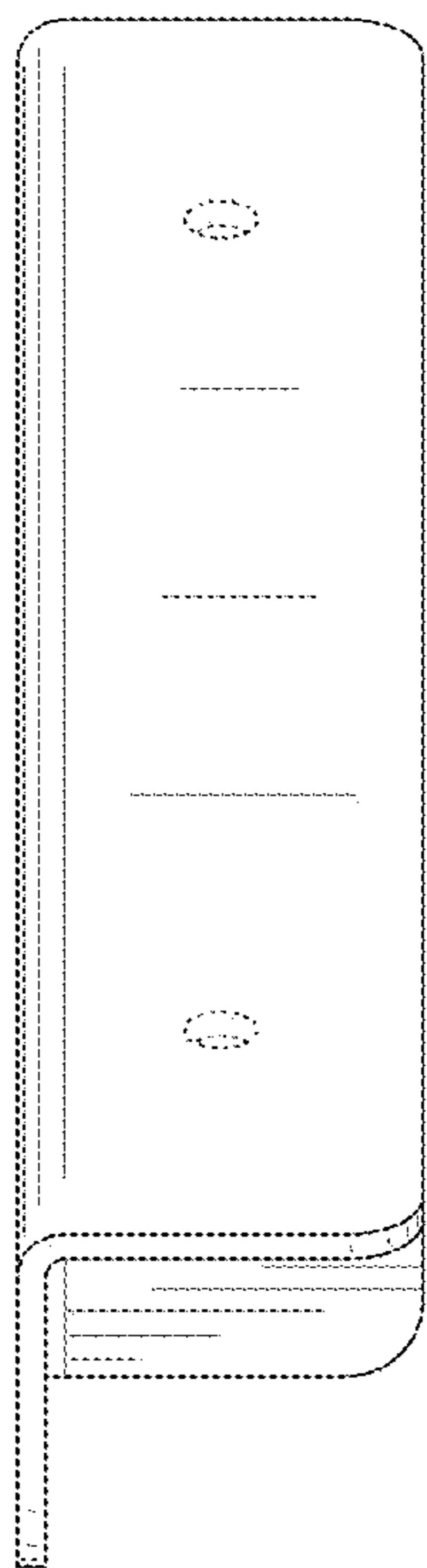


FIG. 4

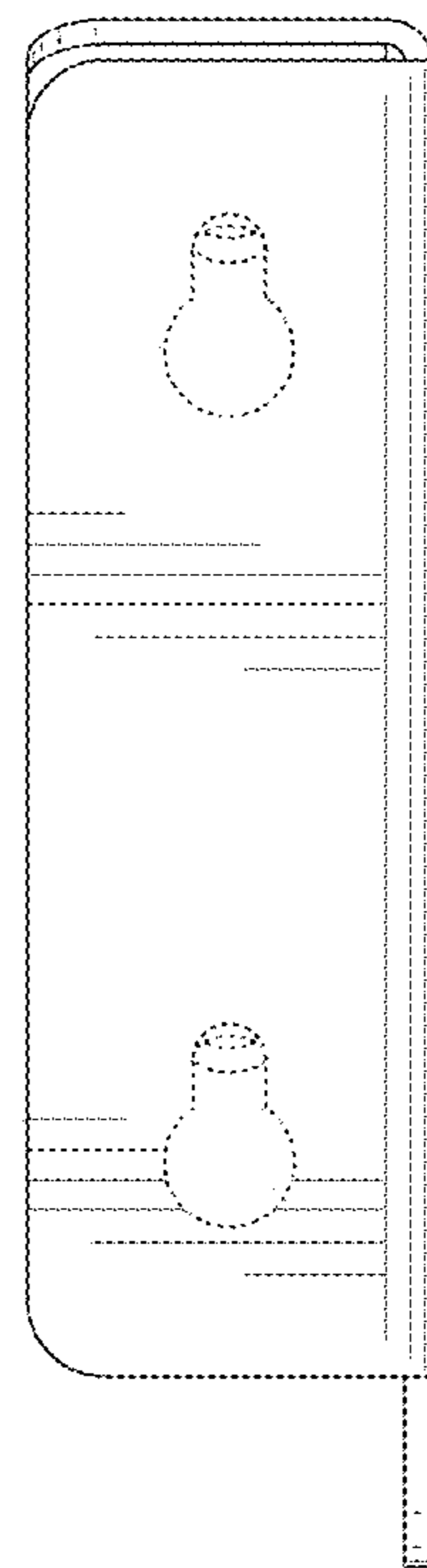


FIG. 5

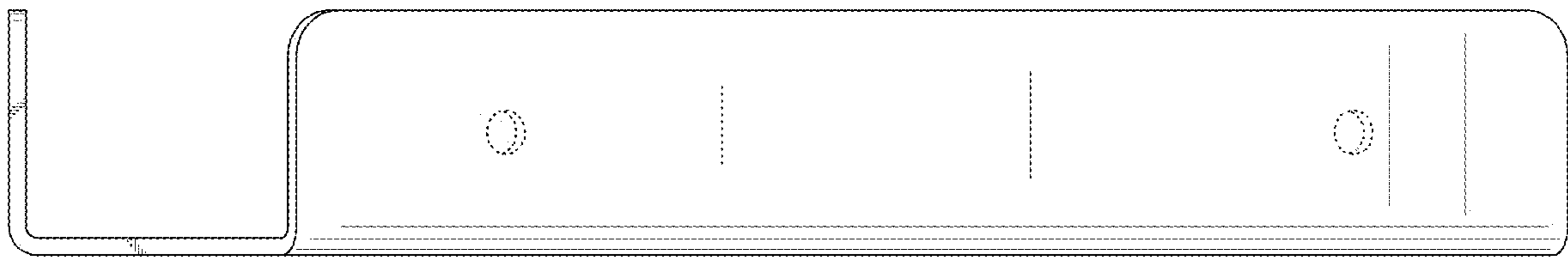


FIG. 6

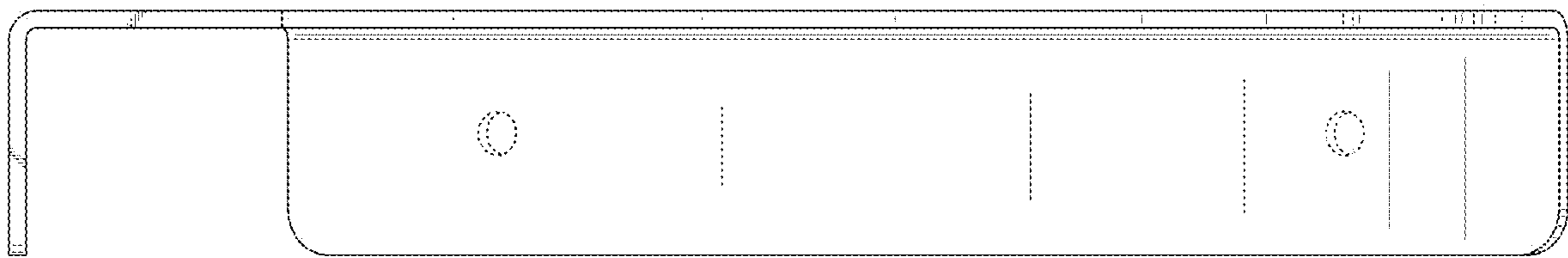


FIG. 7