



US00D988844S

(12) **United States Design Patent**
Stevens

(10) **Patent No.:** **US D988,844 S**
(45) **Date of Patent:** **** Jun. 13, 2023**

- (54) **EXHIBIT BRACKET**
- (71) Applicant: **Potter Belmar Labs LLC**, Ann Arbor, MI (US)
- (72) Inventor: **Jason Jay Stevens**, Ann Arbor, MI (US)
- (73) Assignee: **Potter Belmar Labs LLC**, Ann Arbor, MI (US)
- (**) Term: **15 Years**
- (21) Appl. No.: **29/802,682**
- (22) Filed: **Aug. 6, 2021**
- (51) **LOC (14) Cl.** **08-11**
- (52) **U.S. Cl.**
USPC **D8/363**
- (58) **Field of Classification Search**
USPC D8/373, 363, 366; D6/323, 367; D25/127, 61, 62, 249
CPC A47F 5/08; A47B 96/061; A47B 57/562; A47B 73/00; A47B 81/007; A47B 96/027; A01K 5/02; A01K 5/0225; A01K 5/0266; A01K 5/0291; F16M 13/02; F16M 13/022; F16M 11/10; F16M 2200/024; A22B 5/00; A22B 5/06; A01M 31/008; A01M 31/00; A01M 31/02; A47G 25/08; B66D 3/04; H01Q 1/1228; A45F 3/26
See application file for complete search history.

4,592,672	A *	6/1986	Ruch, Jr.	A63H 33/10 52/657
D313,720	S *	1/1991	Sorenson	D6/562
D343,569	S *	1/1994	Jeng	D19/34.1
D364,331	S *	11/1995	Leek	D8/354
D374,165	S *	10/1996	Marshall	D8/354
D408,086	S *	4/1999	DuRapau	D25/68
D434,638	S *	12/2000	McLauchlan	D8/354
D440,147	S *	4/2001	Rimback	D8/363
D490,295	S *	5/2004	Neider	D8/356
D494,045	S *	8/2004	Van Essen	D8/366
D555,466	S *	11/2007	Hennig	D6/571
D583,223	S *	12/2008	Bunn, Sr.	D8/371
D599,148	S *	9/2009	Murphy	D6/562
D603,638	S *	11/2009	Murphy	D6/562
D605,932	S *	12/2009	Piersant	D8/381
8,998,008	B1 *	4/2015	Robertson	A47B 96/063 108/42
D796,302	S *	9/2017	Bright	D8/354

(Continued)

Primary Examiner — Eliza Z Harvey
Assistant Examiner — Kayla Marie Bennett
(74) *Attorney, Agent, or Firm* — Quinn IP Law

(57) **CLAIM**

The ornamental design for an exhibit bracket, as shown and described.

DESCRIPTION

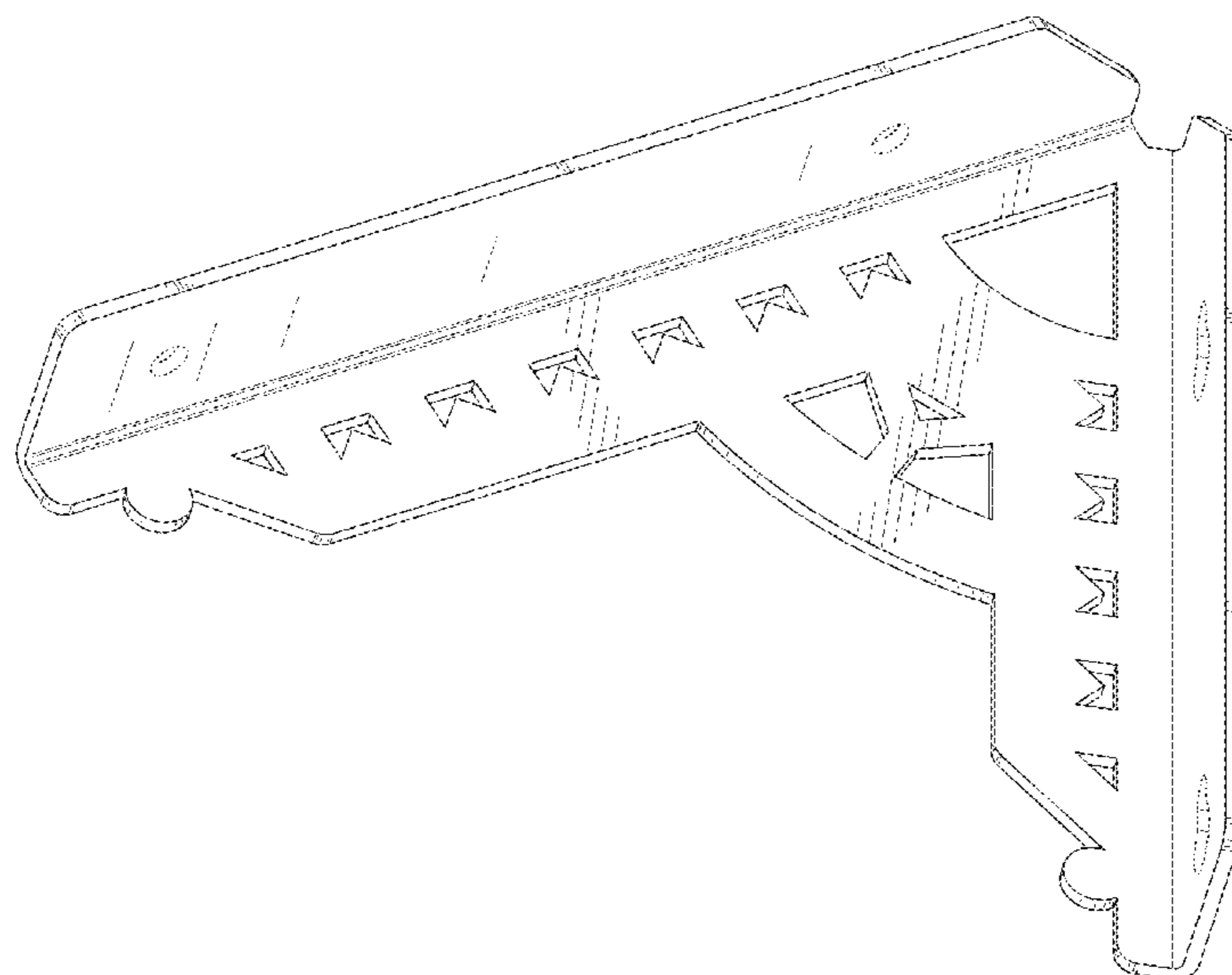
FIG. 1 illustrates a design for an exhibit bracket, in perspective view;
FIG. 2 is a right side view, thereof;
FIG. 3 is a left side view, thereof;
FIG. 4 is a front view, thereof;
FIG. 5 is a rear view, thereof;
FIG. 6 is a top view, thereof; and,
FIG. 7 is a bottom view, thereof.
All broken lines represent structure or features that form no part of the claimed design. Specifically, the dash broken lines form portions of the exhibit bracket that are unclaimed and/or portions of environmental structure.

1 Claim, 3 Drawing Sheets

(56) **References Cited**

U.S. PATENT DOCUMENTS

1,380,518	A *	6/1921	Bellig	F16B 12/46 403/219
3,912,407	A *	10/1975	Heininger	F16B 7/00 52/657
D251,343	S *	3/1979	Hansen	D8/356
D276,195	S *	11/1984	Smith	D8/380



(56)

References Cited

U.S. PATENT DOCUMENTS

D816,466 S *	5/2018	Gomez	D8/363
D872,309 S *	1/2020	Moreno Moncada	D25/68
D946,378 S *	3/2022	Hummel	D8/354

* cited by examiner

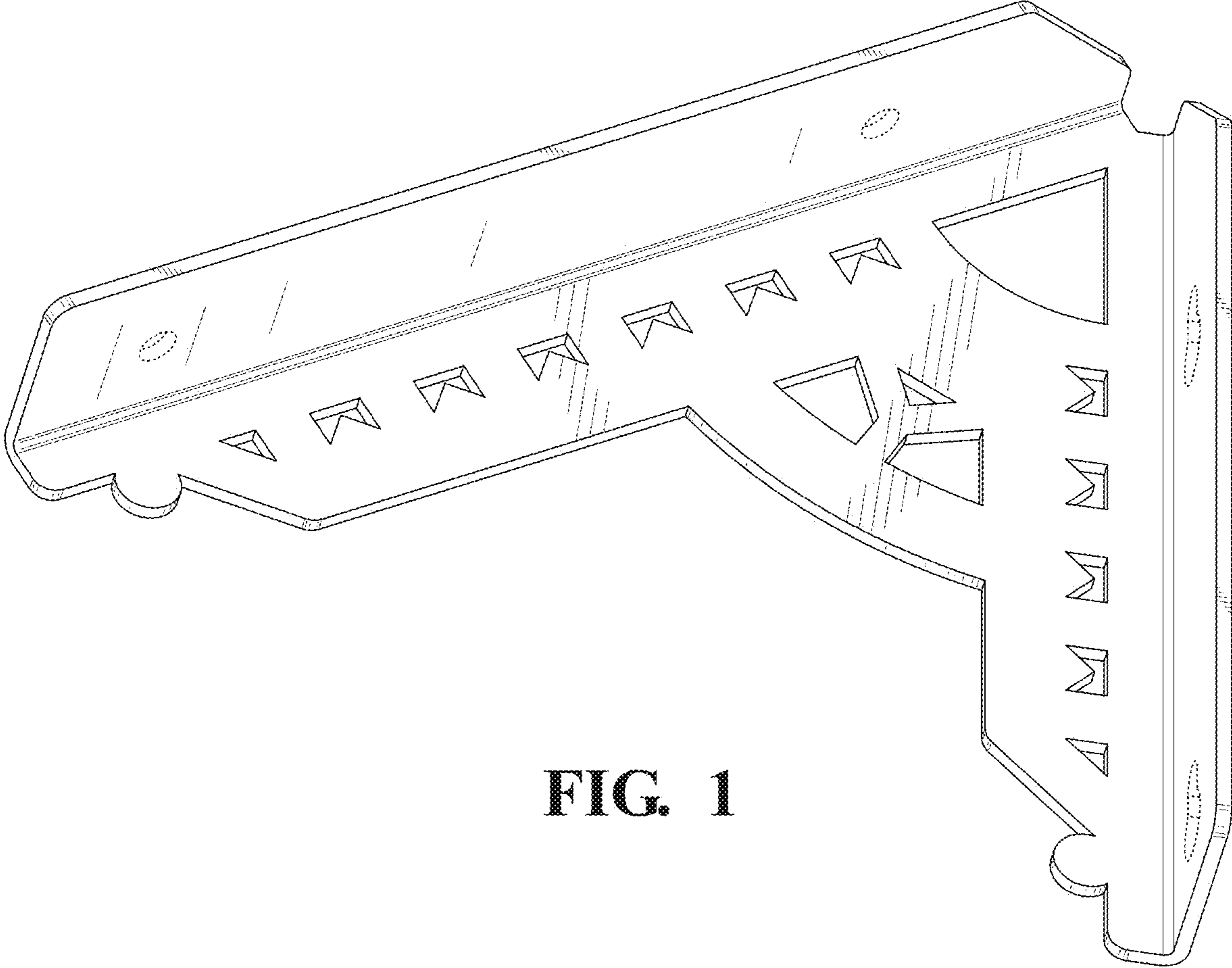


FIG. 1

FIG. 2

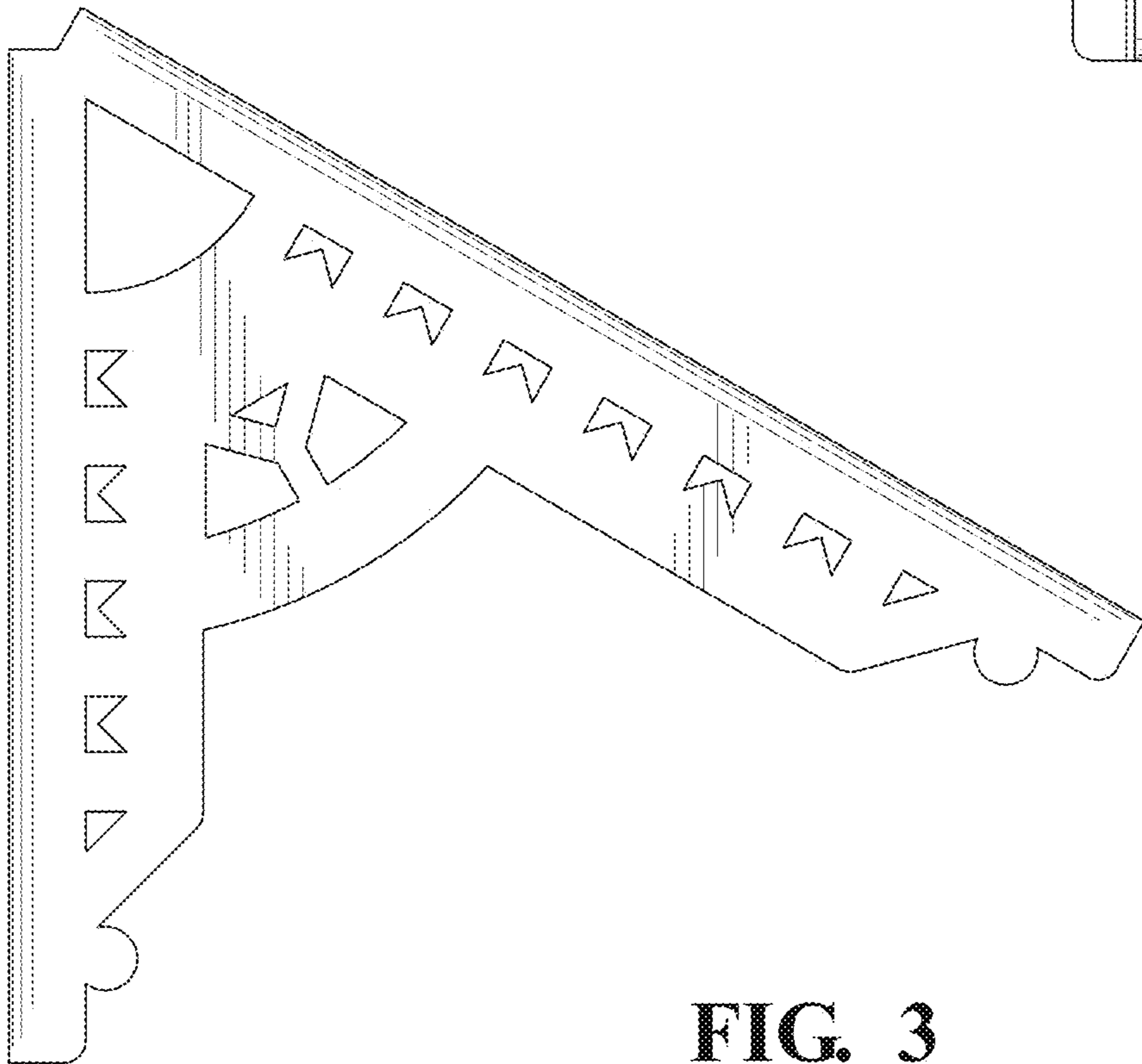
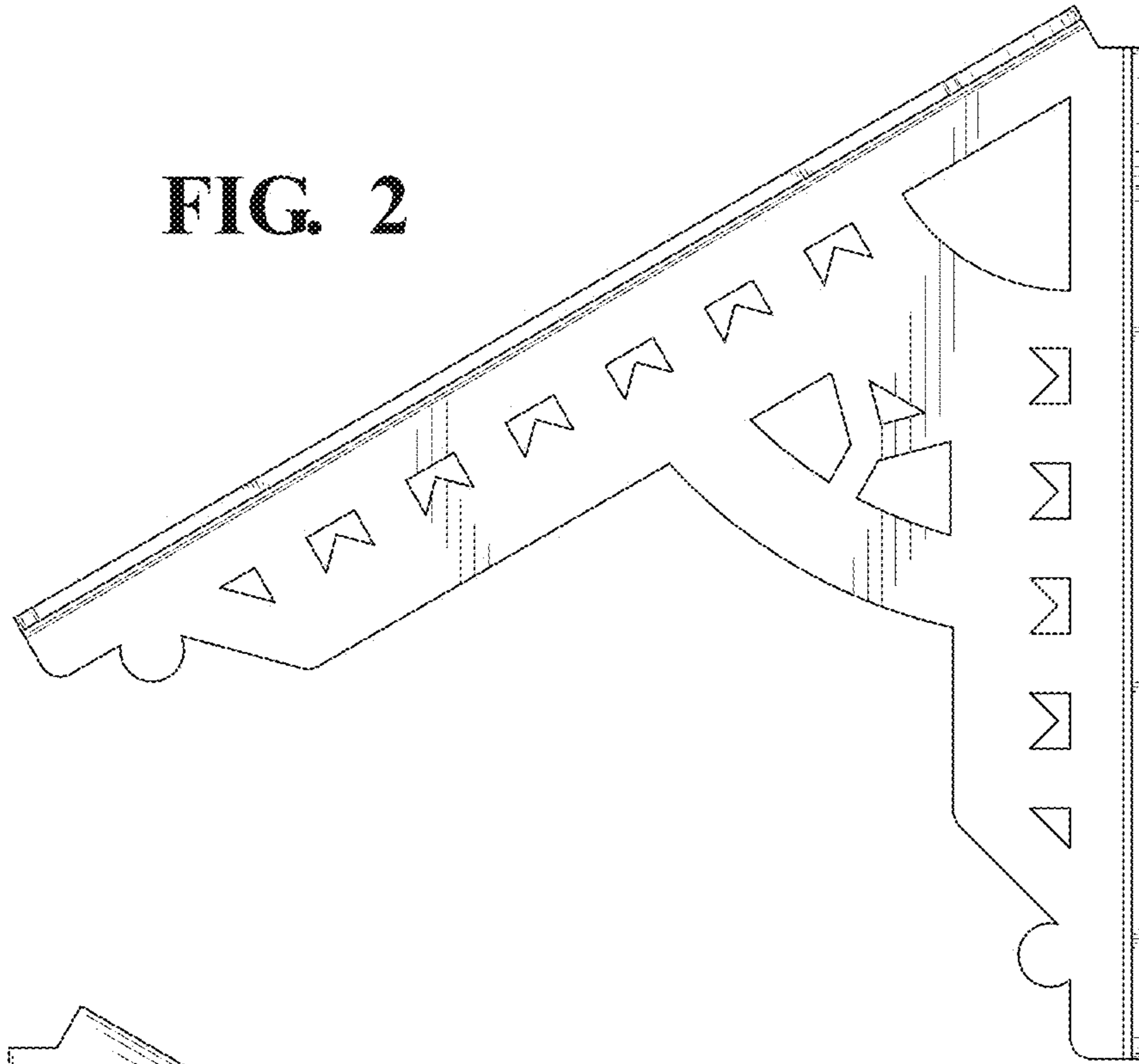


FIG. 3

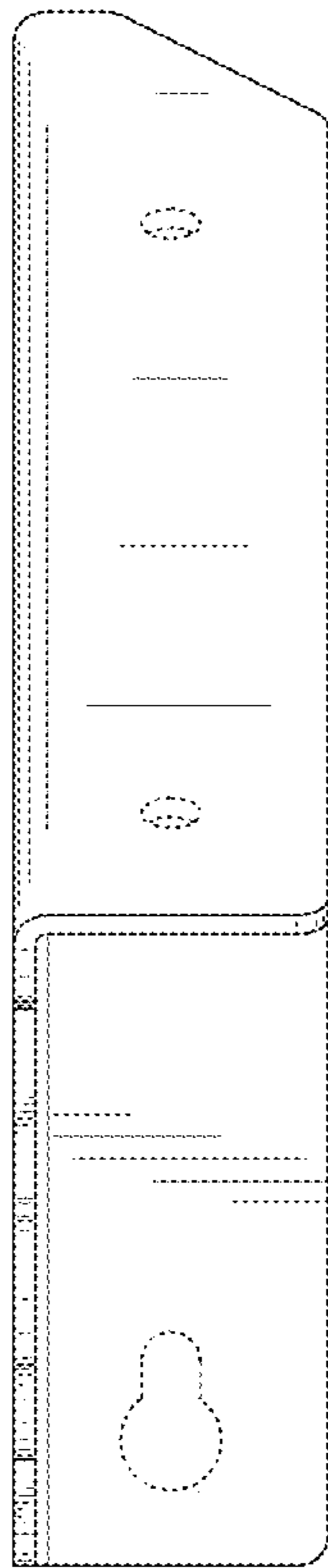


FIG. 4

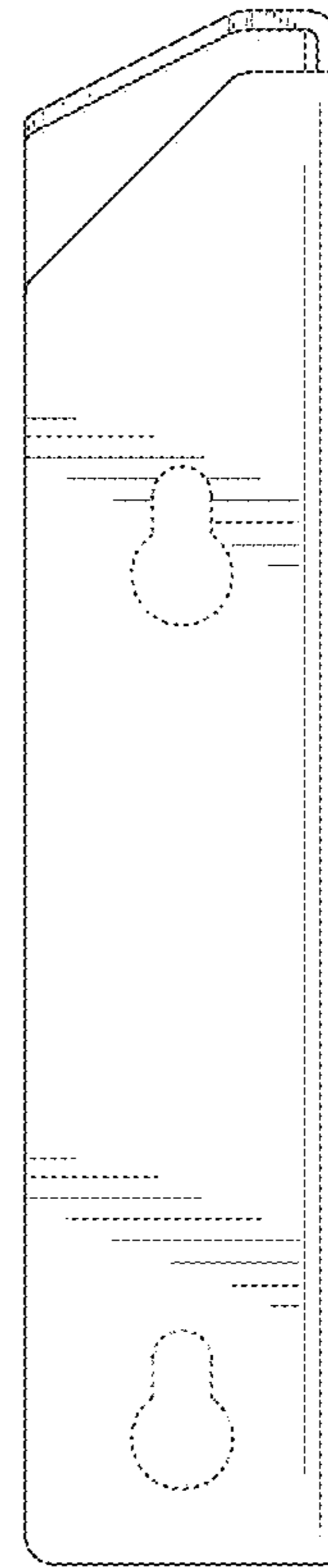


FIG. 5

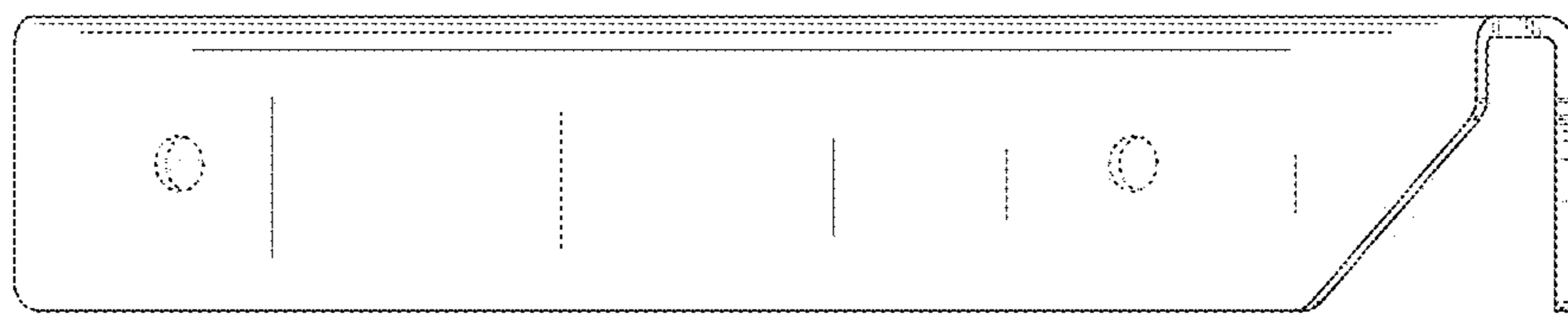


FIG. 6

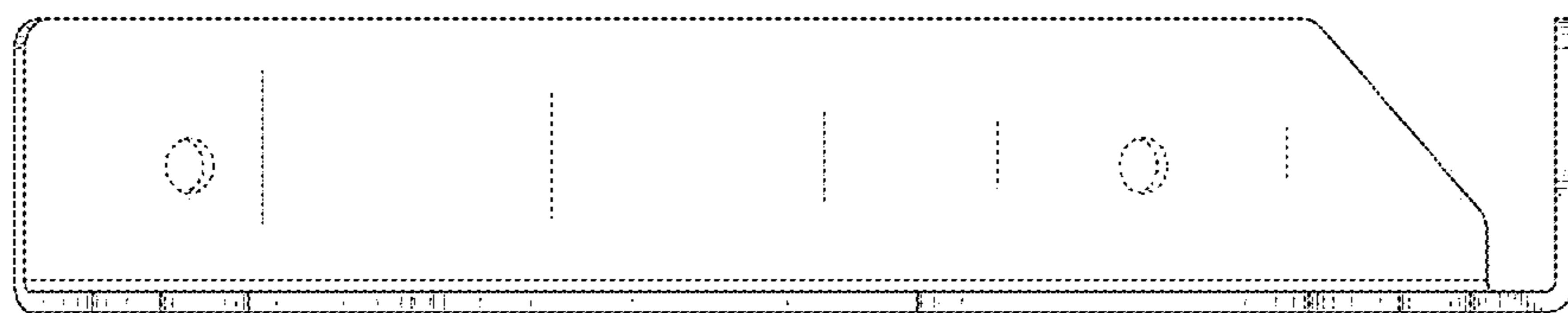


FIG. 7