



US00D988842S

(12) **United States Design Patent**
Wedding et al.

(10) **Patent No.:** **US D988,842 S**
(45) **Date of Patent:** **** Jun. 13, 2023**

(54) **CABLE HANGER**

(71) Applicant: **Cambria County Association for the Blind & Handicapped**, Johnstown, PA (US)

(72) Inventors: **Timothy Joseph Wedding**, Johnstown, PA (US); **Paul Edward Martin**, Johnstown, PA (US)

(73) Assignee: **CAMBRIA COUNTY ASSOCIATION FOR THE BLIND AND HANDICAPPED**, Johnstown, PA (US)

(**) Term: **15 Years**

(21) Appl. No.: **29/764,662**

(22) Filed: **Dec. 31, 2020**

(51) **LOC (14) Cl.** **09-06**

(52) **U.S. Cl.**
USPC **D8/356**

(58) **Field of Classification Search**
USPC D8/354, 367, 370, 371, 349, 356, 363, D8/364, 382, 394, 395; D6/317, 320; D28/39
CPC .. F16B 45/00; F16B 2/00; A45C 13/03; F16L 3/127; F16L 3/133; F16L 3/233; A47K 10/04; H02G 7/05; H02G 7/06; H02G 7/10; A47G 1/16; A47G 25/14
See application file for complete search history.

(56) **References Cited**

U.S. PATENT DOCUMENTS

D27,860 S * 11/1897 Gross D8/382
D28,052 S * 12/1897 Bonshire D8/394

D123,825 S * 12/1940 Trilling D30/119
D255,324 S * 6/1980 Pierce D8/380
D457,931 S * 5/2002 Kalat D8/394
D651,066 S * 12/2011 Johnson, III D8/354
D837,637 S * 1/2019 Hack D8/367
D920,084 S * 5/2021 Craig D8/372
D930,461 S * 9/2021 Wedding D8/367
2009/0224533 A1 * 9/2009 Richter F16L 51/04 285/61

* cited by examiner

Primary Examiner — Calvin E Vansant

Assistant Examiner — Benjamin Lucas Gray

(74) *Attorney, Agent, or Firm* — Eckert Seamans Cherin & Mellott, LLC

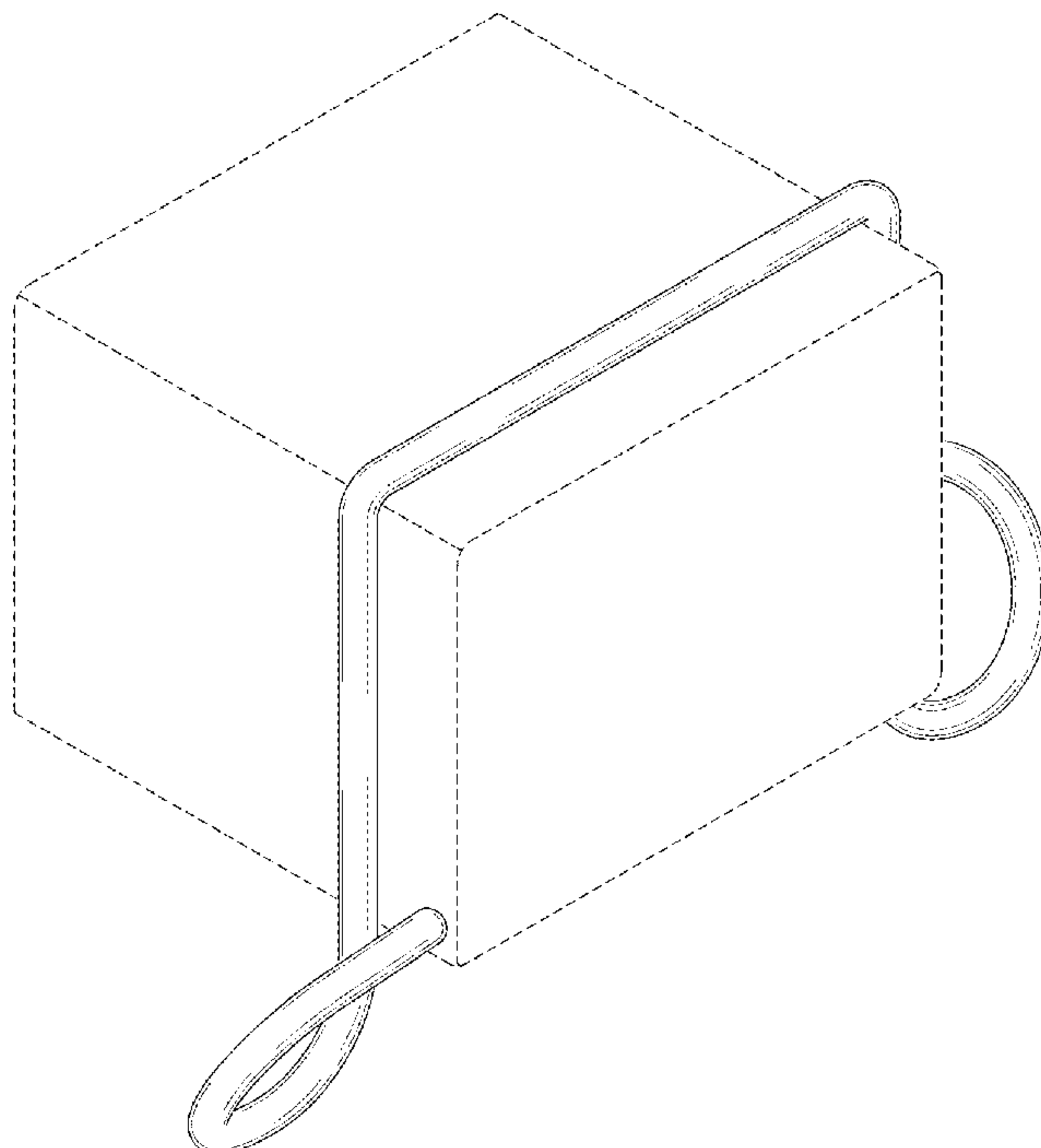
(57) **CLAIM**

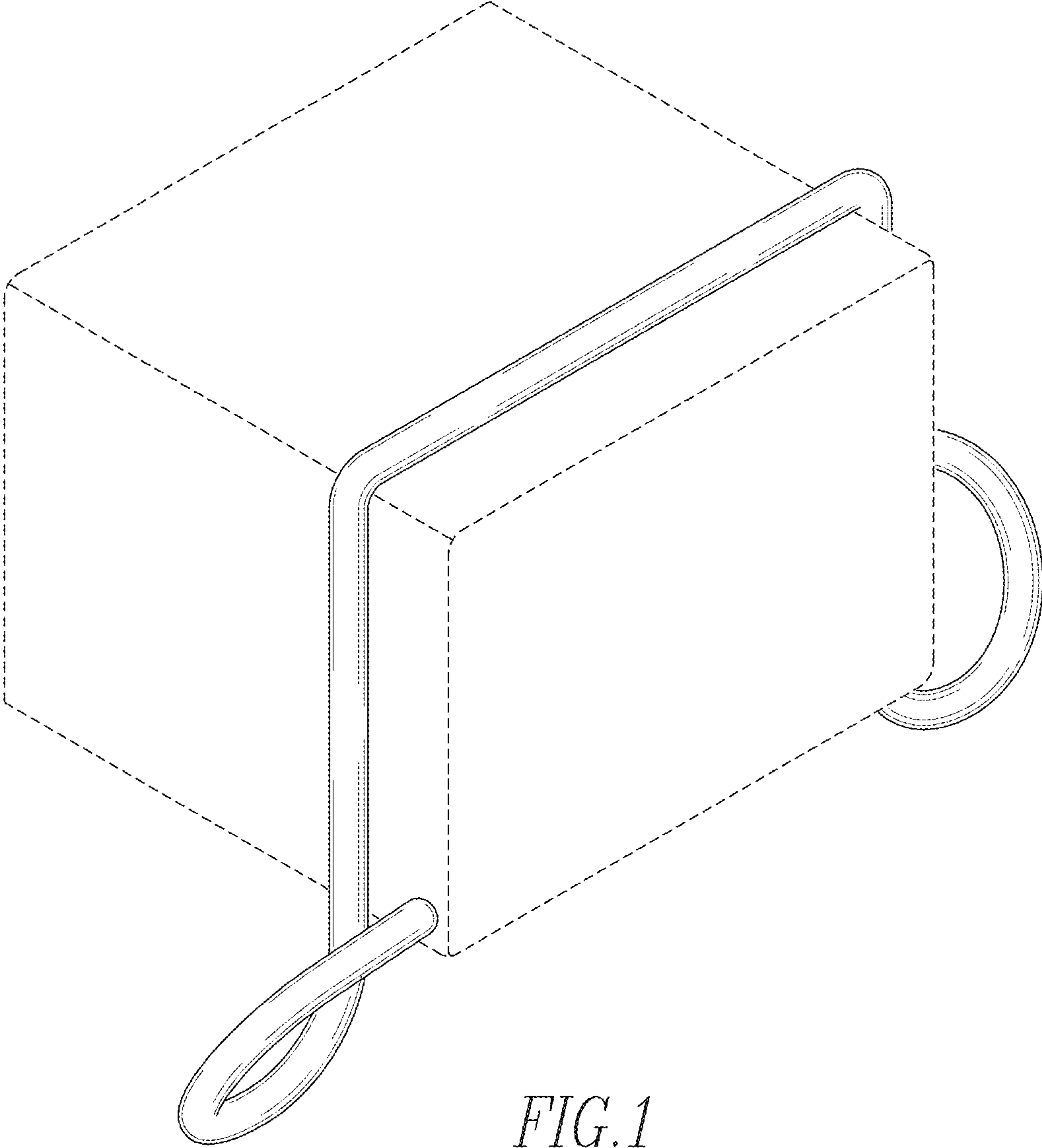
The ornamental design for a cable hanger, as shown and described.

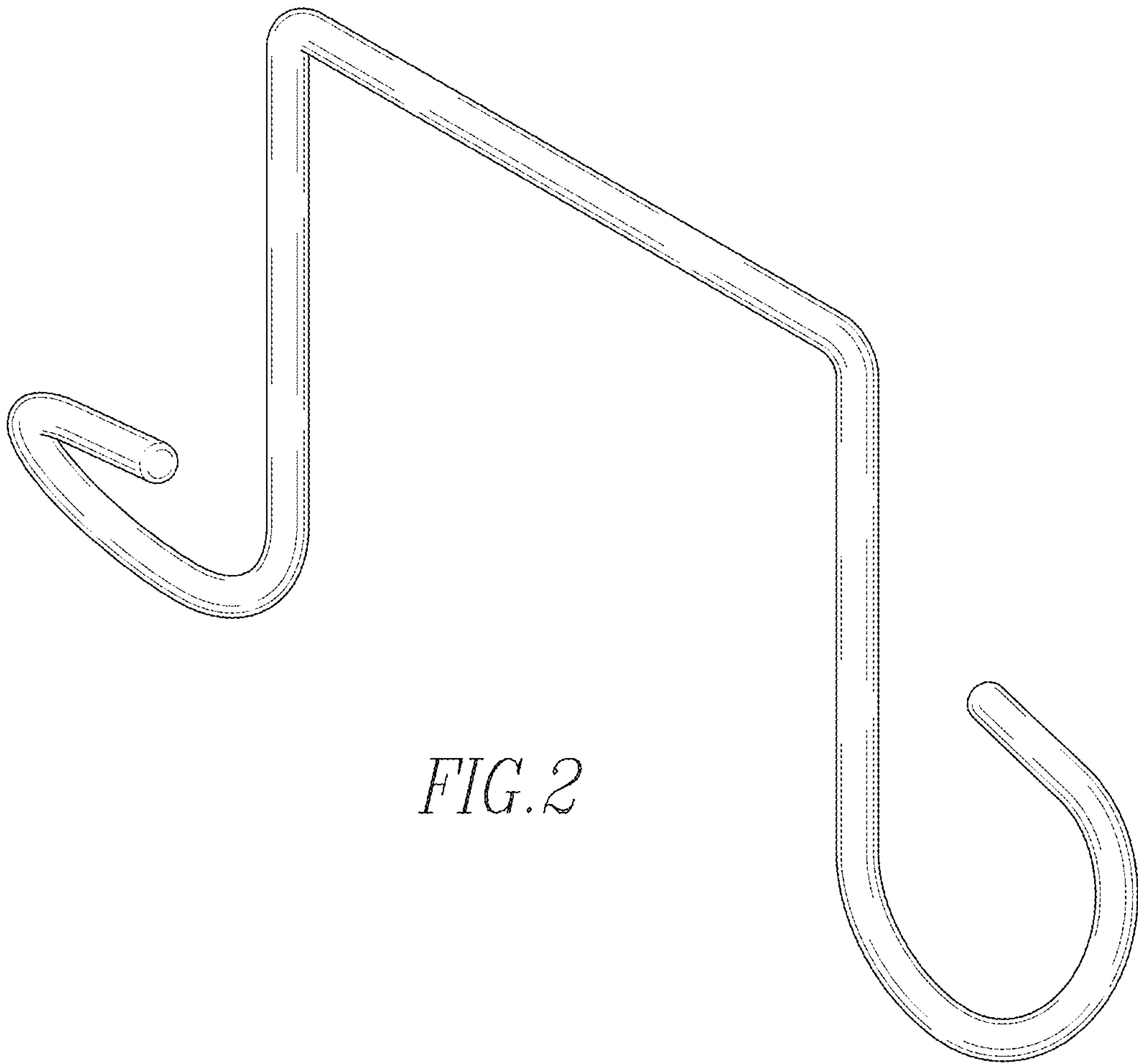
DESCRIPTION

FIG. 1 is a first isometric view of the cable hanger;
FIG. 2 is a second isometric view of the cable hanger;
FIG. 3 is a front view of the cable hanger;
FIG. 4 is a back view of the cable hanger;
FIG. 5 is a top view of the cable hanger;
FIG. 6 is a bottom view of the cable hanger;
FIG. 7 is a left view of the cable hanger; and,
FIG. 8 is a right view of the cable hanger.
The broken lines in the drawings depict environmental subject matter only and form no part of the claimed design.

1 Claim, 6 Drawing Sheets







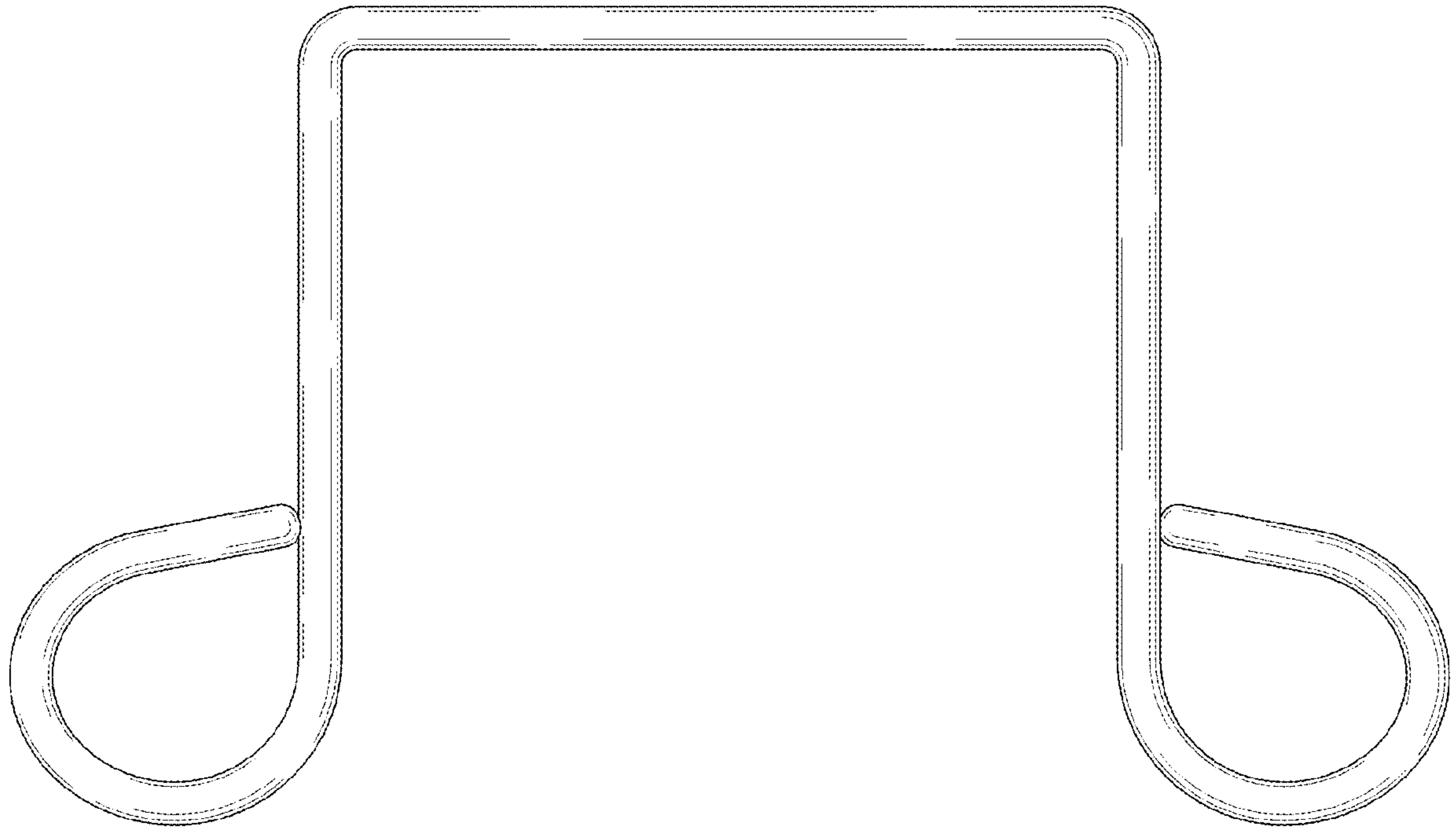


FIG. 3

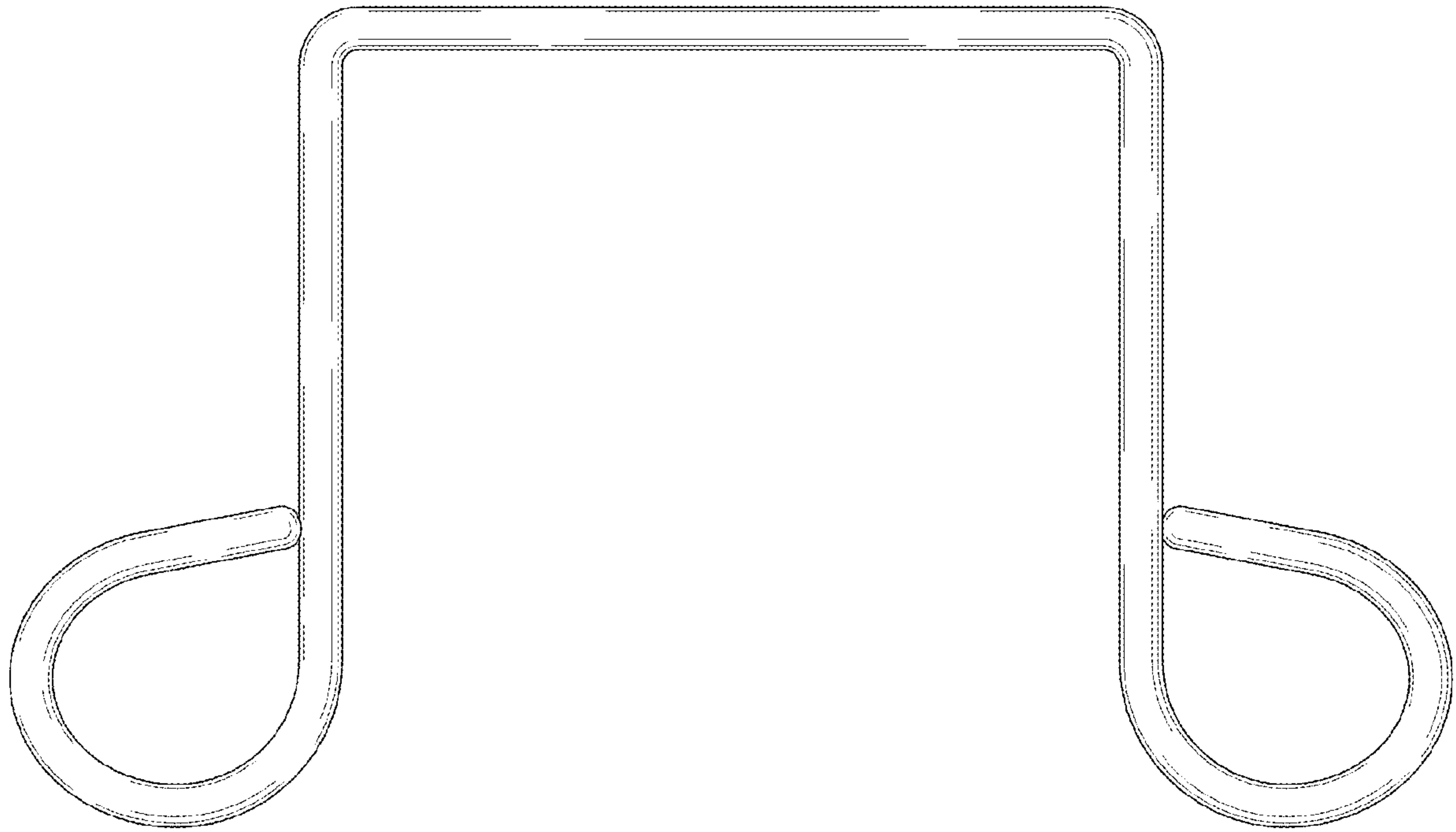


FIG. 4

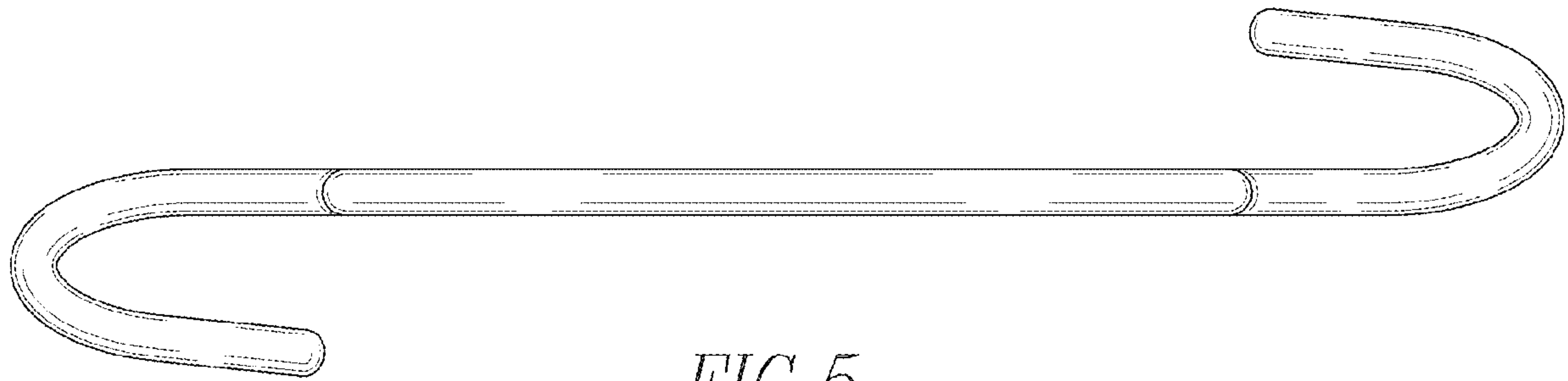


FIG. 5

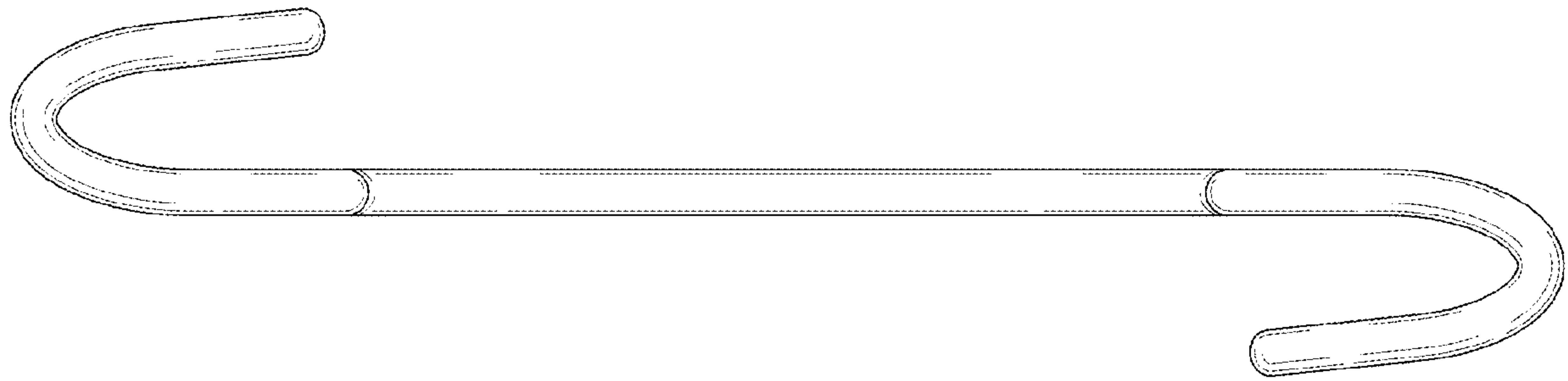


FIG. 6

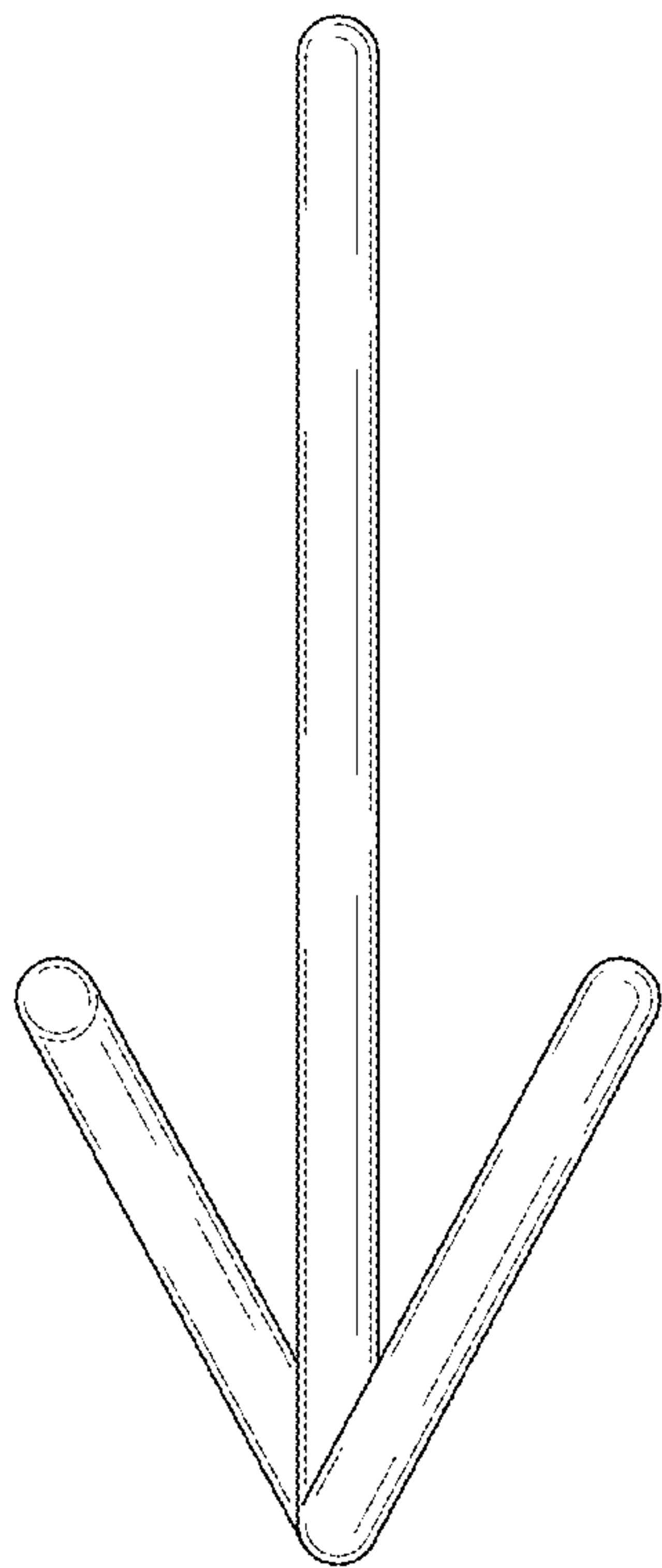


FIG. 7

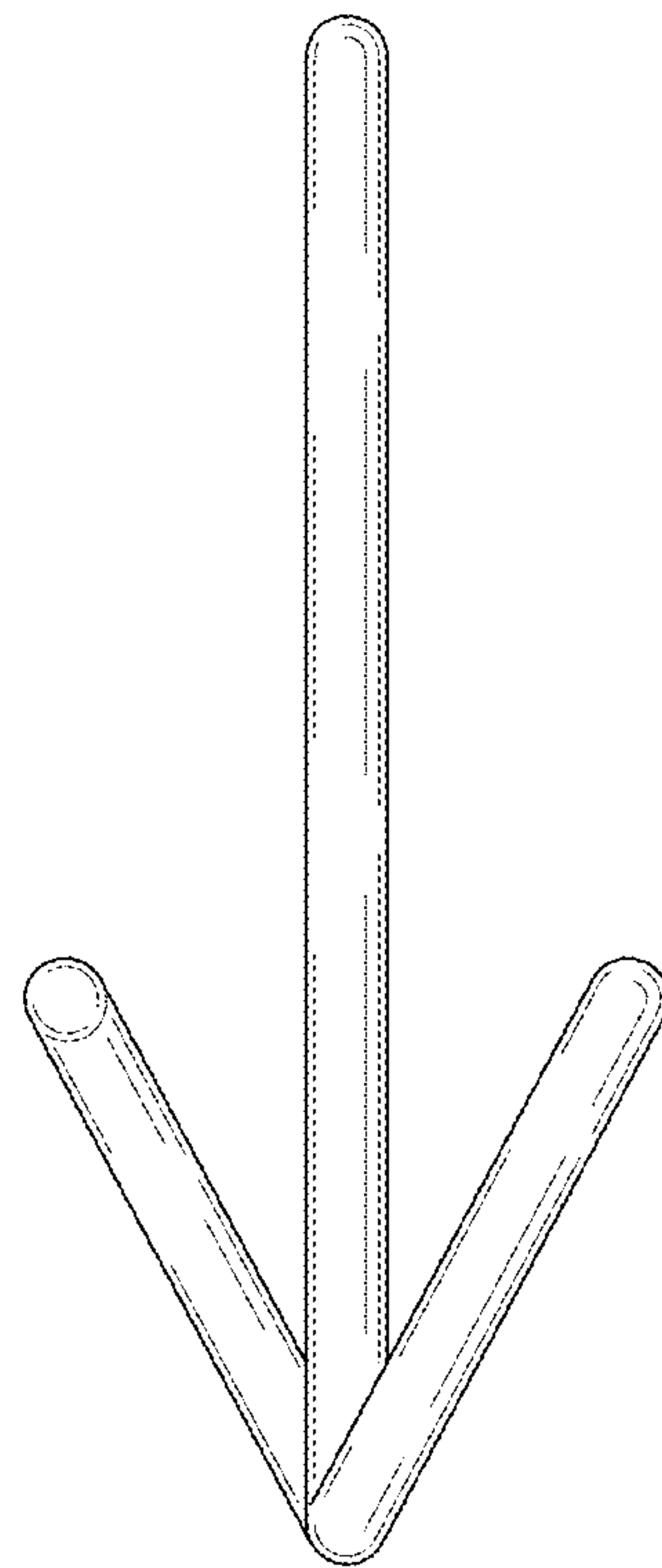


FIG. 8