



US00D988841S

(12) **United States Design Patent** (10) **Patent No.:** **US D988,841 S**  
**Lu** (45) **Date of Patent:** **\*\* Jun. 13, 2023**

(54) **ROD HOLDER**

(71) Applicant: **Yao Lu**, Handan (CN)

(72) Inventor: **Yao Lu**, Handan (CN)

(\*\*) Term: **15 Years**

(21) Appl. No.: **29/888,416**

(22) Filed: **Mar. 30, 2023**

(51) **LOC (14) Cl.** ..... **22-05**

(52) **U.S. Cl.**  
USPC ..... **D22/147**

(58) **Field of Classification Search**  
USPC .... D8/71-72, 356, 375, 382, 360, 343, 367,  
D8/323, 315; D17/14, 19-20; D11/218,  
D11/208; D22/147-148, 150, 137  
CPC ..... A01K 97/10; A01K 87/00; A01K 97/00;  
A01K 87/08; A01K 89/01925  
See application file for complete search history.

(56) **References Cited**

**U.S. PATENT DOCUMENTS**

|               |         |                  |                       |
|---------------|---------|------------------|-----------------------|
| D390,308 S *  | 2/1998  | Sieland .....    | D22/147               |
| 5,738,257 A * | 4/1998  | McConnell .....  | A01K 97/10<br>224/666 |
| D449,929 S *  | 11/2001 | Rhoads, II ..... | D22/147               |
| D461,522 S *  | 8/2002  | James .....      | D22/147               |
| D464,106 S *  | 10/2002 | Macaluso .....   | D22/147               |
| D542,884 S    | 5/2007  | Johnson          |                       |
| D584,792 S *  | 1/2009  | Childers .....   | D22/147               |
| D605,851 S *  | 12/2009 | Drake .....      | D3/221                |
| D662,745 S *  | 7/2012  | Zalewski .....   | D6/552                |
| D677,091 S    | 3/2013  | Monro            |                       |

|                   |         |                   |            |
|-------------------|---------|-------------------|------------|
| D685,448 S *      | 7/2013  | O'Donnell .....   | D22/147    |
| D778,400 S *      | 2/2017  | Kim .....         | D22/137    |
| D811,188 S *      | 2/2018  | Zimmerman .....   | D8/72      |
| D811,189 S *      | 2/2018  | Zimmerman .....   | D8/72      |
| D822,148 S *      | 7/2018  | DeBerry .....     | D22/147    |
| D857,155 S        | 8/2019  | Baltes            |            |
| D910,804 S *      | 2/2021  | Barsten .....     | D22/147    |
| D931,087 S *      | 9/2021  | Yu .....          | D8/363     |
| D972,401 S *      | 12/2022 | Bastian .....     | D8/382     |
| 2019/0376552 A1 * | 12/2019 | Ladyzhensky ..... | F16D 1/096 |

\* cited by examiner

*Primary Examiner* — Karen S Acker

*Assistant Examiner* — Elizabeth S Ko

(74) *Attorney, Agent, or Firm* — Georgi Korobanov

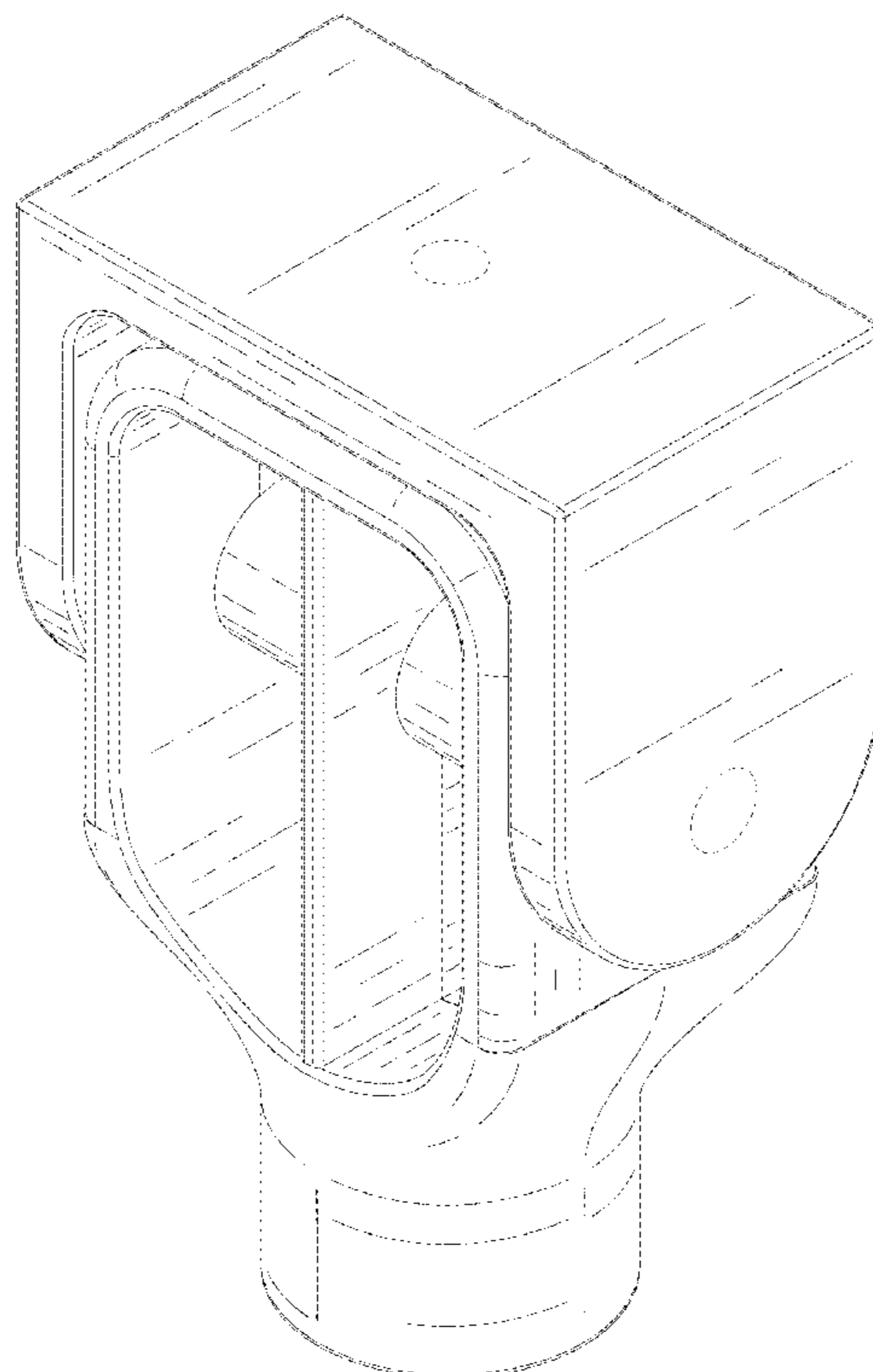
(57) **CLAIM**

The ornamental design for a rod holder, as shown and described.

**DESCRIPTION**

FIG. 1 is a front, right and top perspective view of a rod holder, showing my new design;  
FIG. 2 is a rear, left and bottom perspective view thereof;  
FIG. 3 is a front view thereof;  
FIG. 4 is a rear view thereof;  
FIG. 5 is a left side view thereof;  
FIG. 6 is a right side view thereof;  
FIG. 7 is a top plan view thereof;  
FIG. 8 is a bottom plan view thereof; and,  
FIG. 9 is a front, right and top perspective view of the rod holder in a rotatable state.  
The broken lines shown in the drawings illustrate portions of the rod holder that form no part of the claimed design.

**1 Claim, 9 Drawing Sheets**



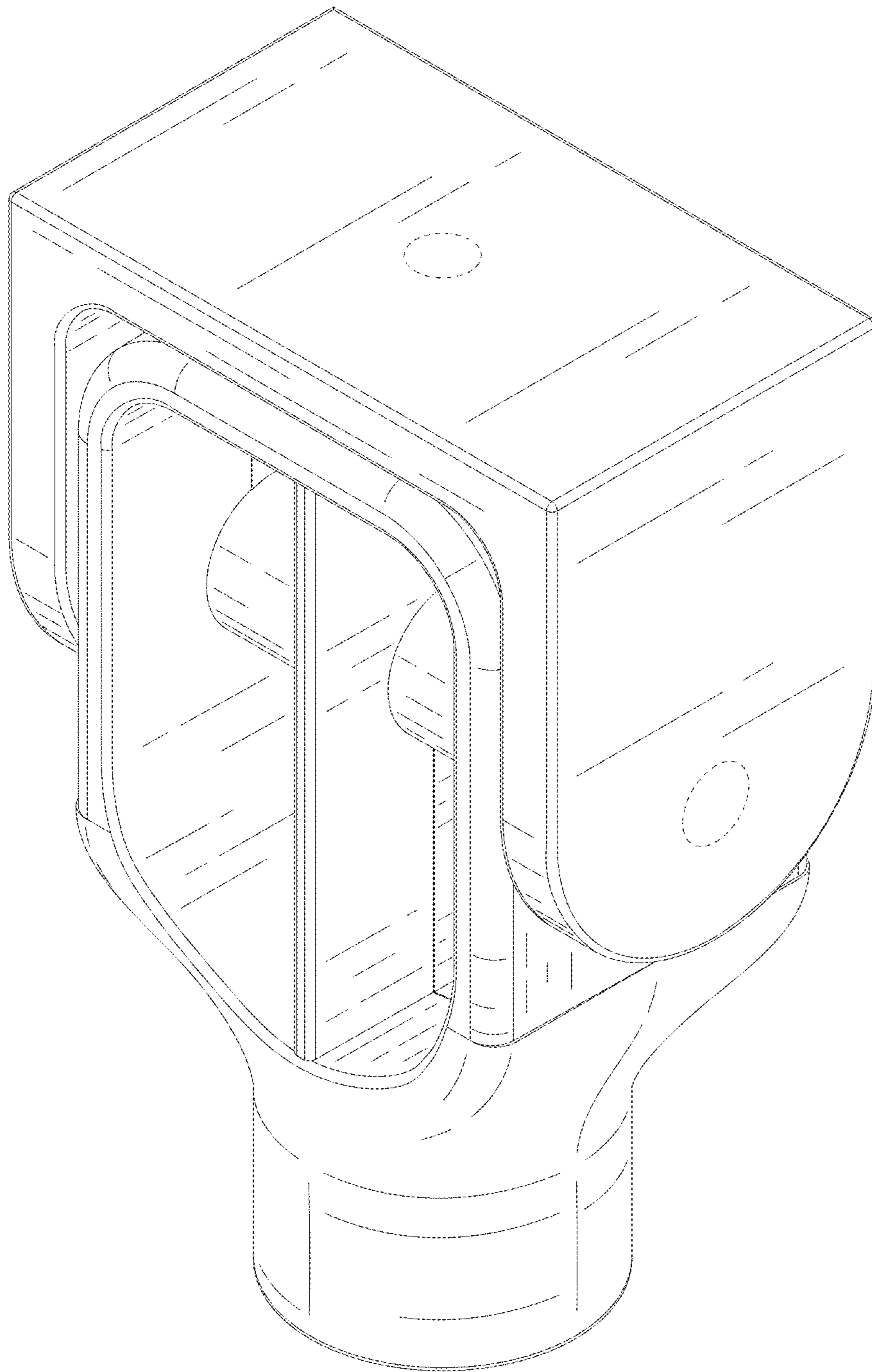


FIG. 1

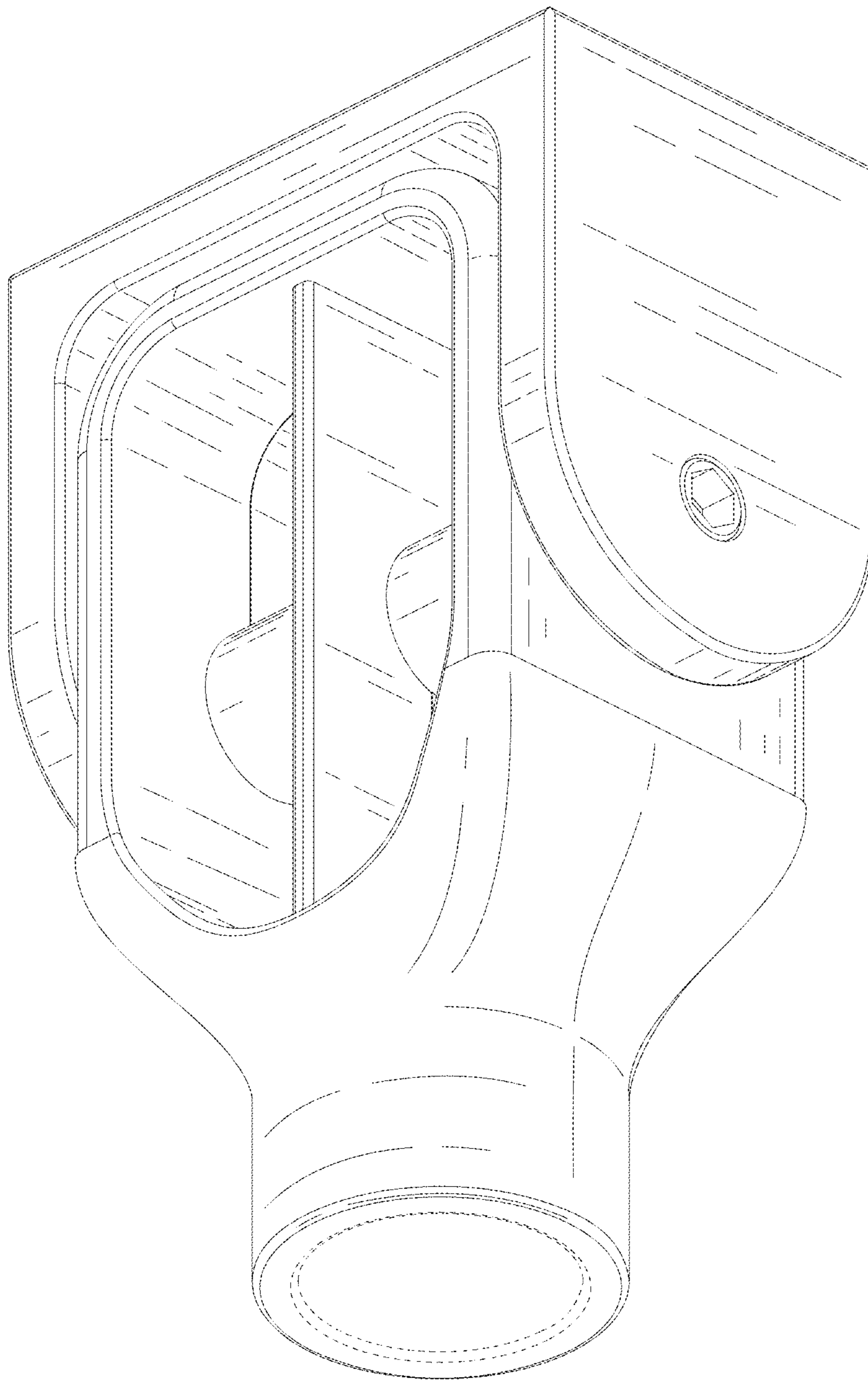


FIG. 2

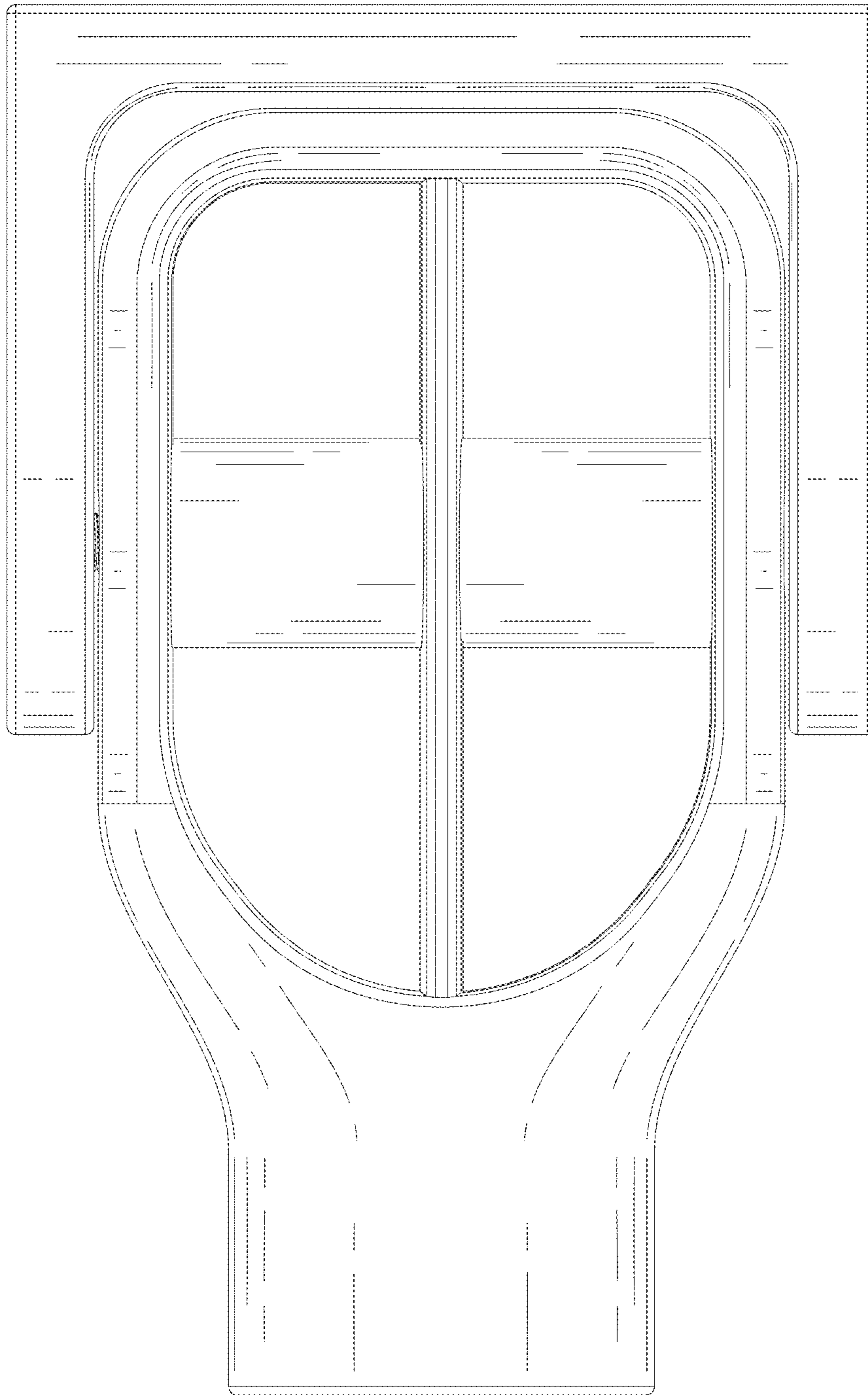


FIG. 3

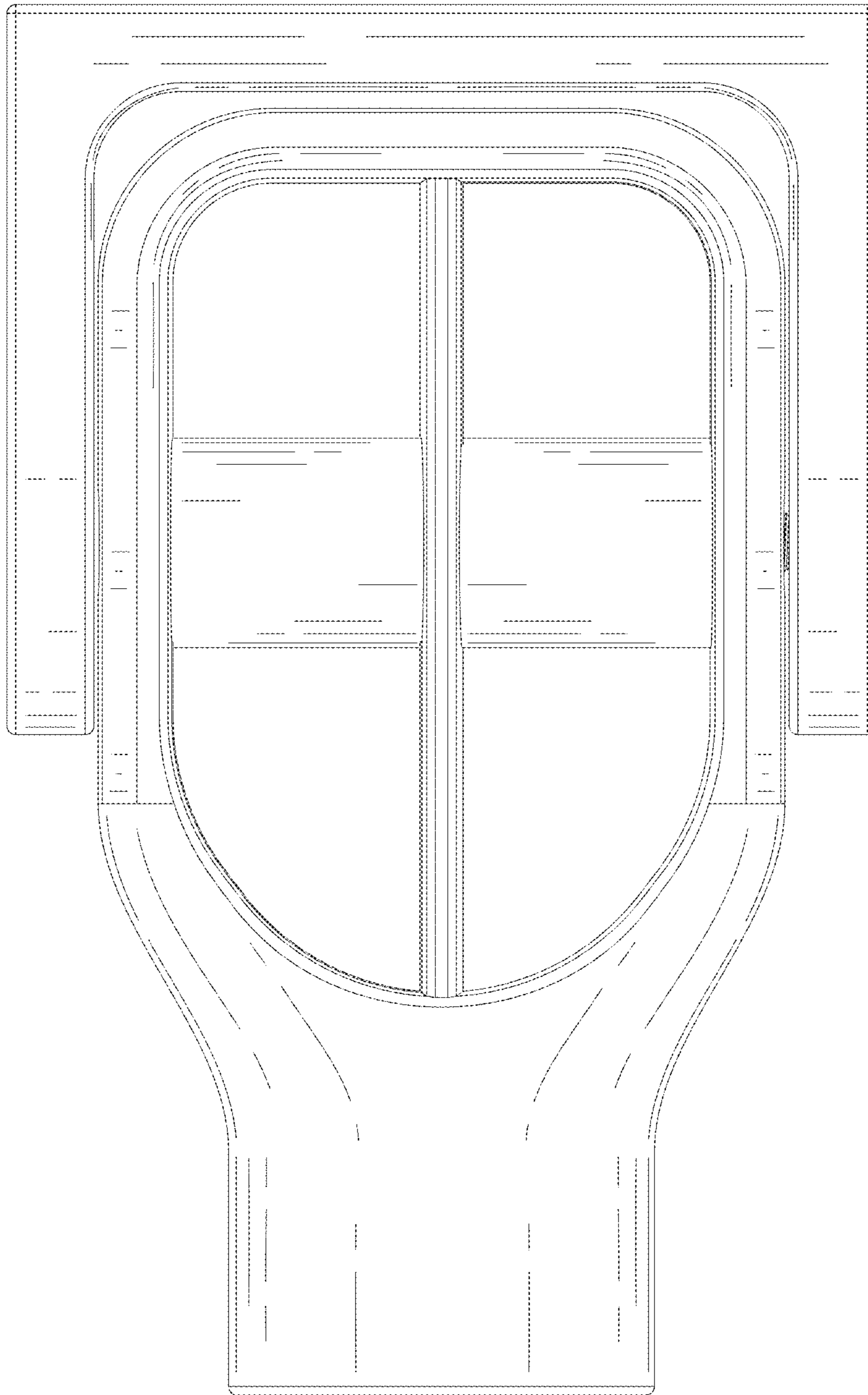


FIG. 4

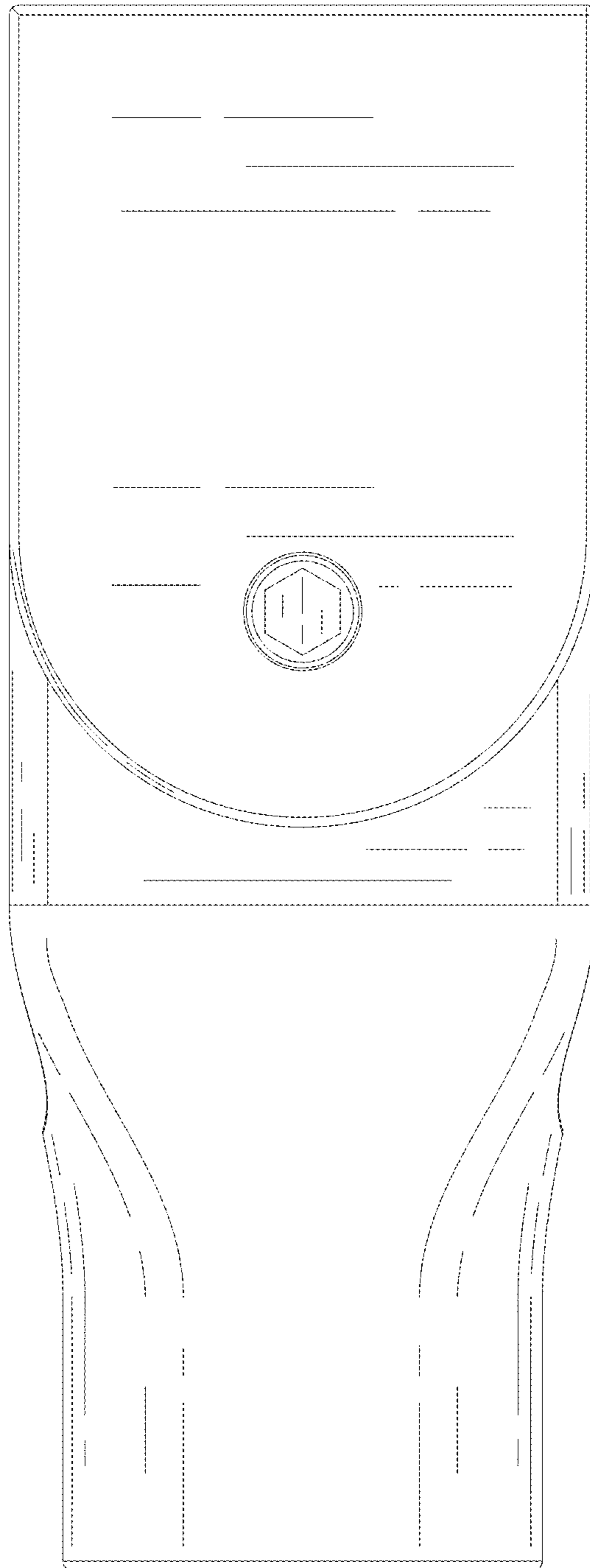


FIG. 5

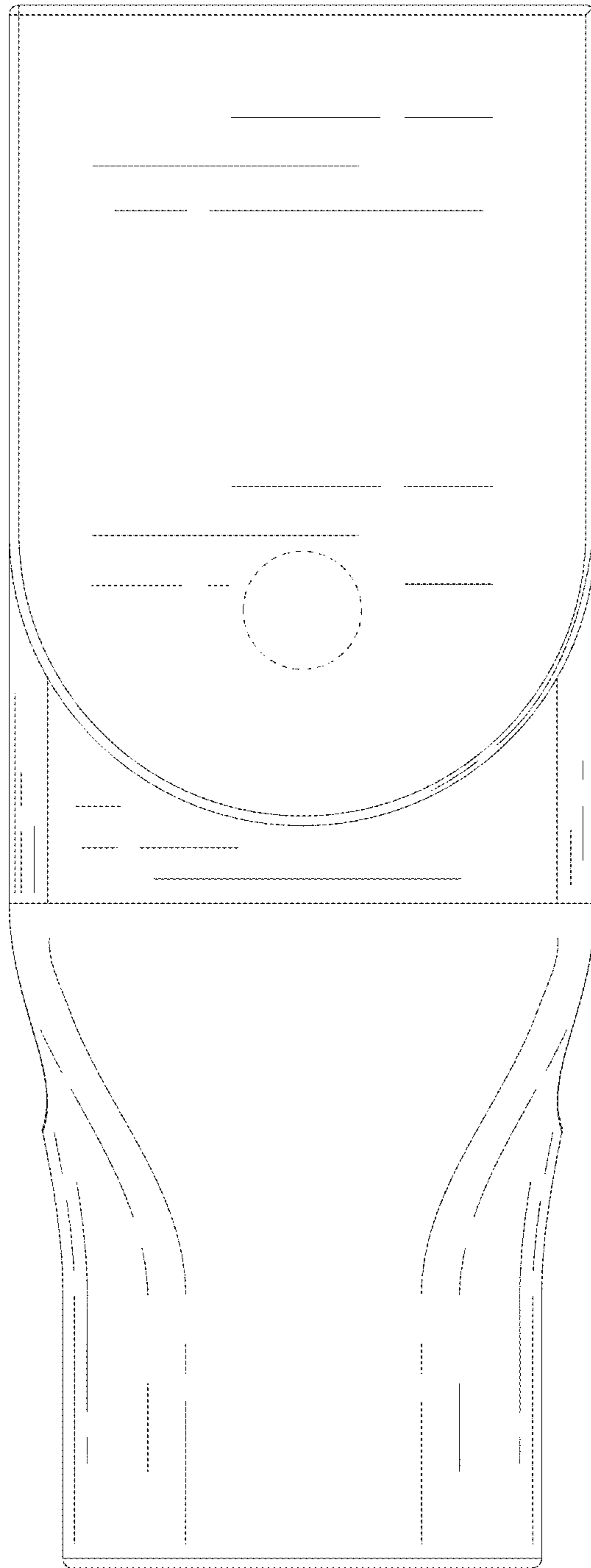


FIG. 6

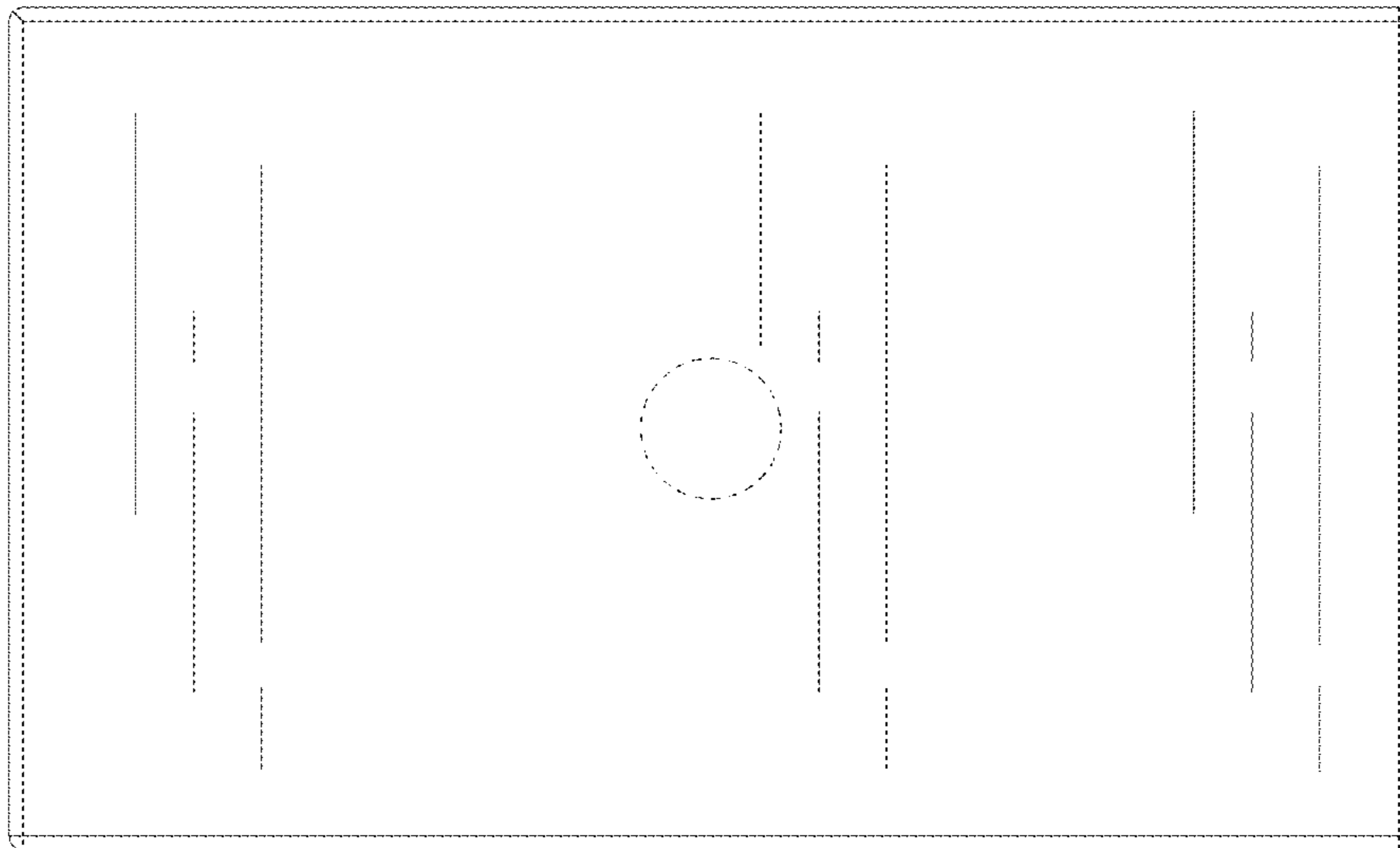


FIG. 7



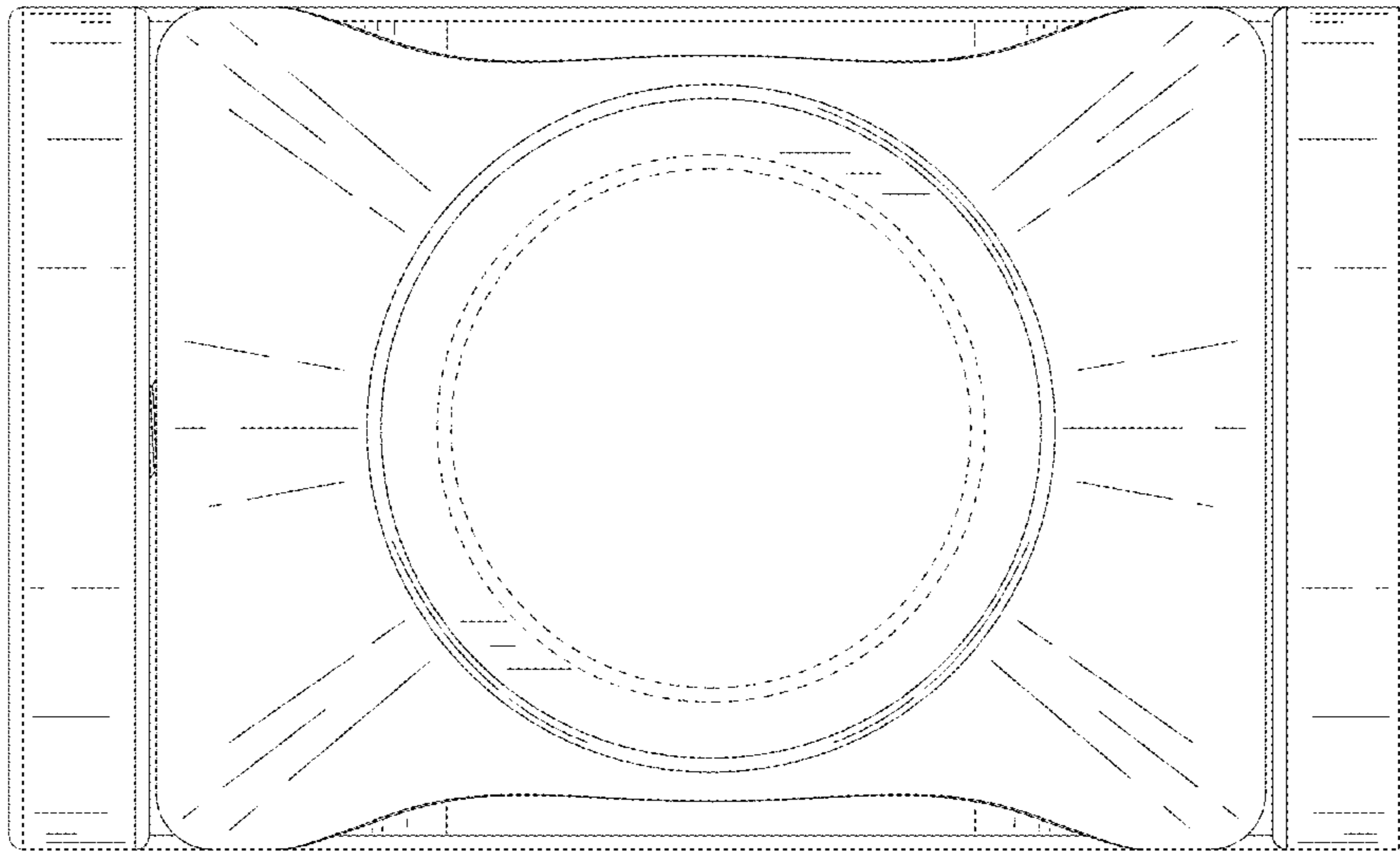


FIG. 8

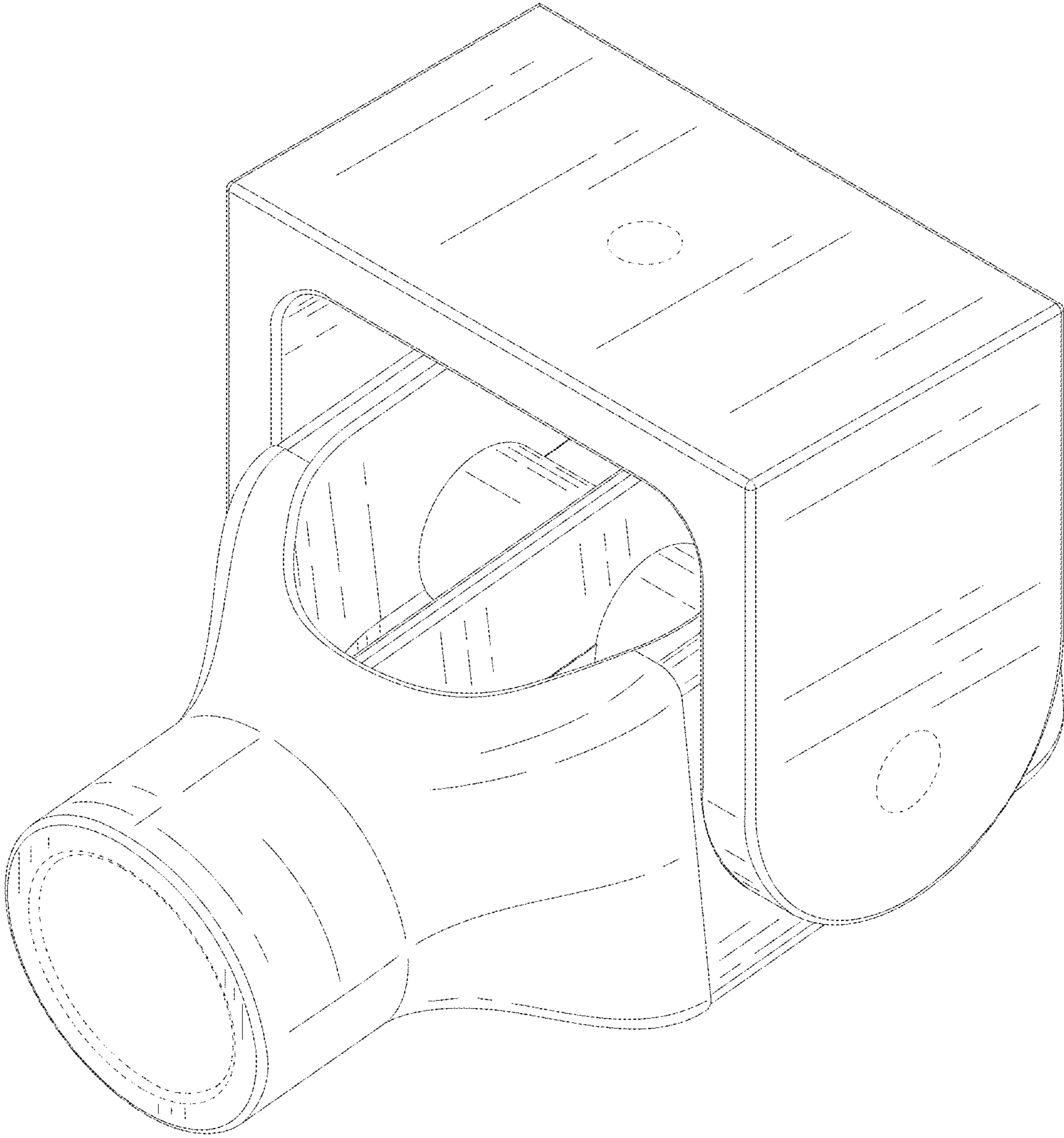


FIG. 9