



US00D988840S

(12) **United States Design Patent**  
**Chen**

(10) **Patent No.:** **US D988,840 S**  
(45) **Date of Patent:** **\*\* Jun. 13, 2023**

- (54) **SHELF BRACKET**
- (71) Applicant: **Xiaoshan Chen**, Jieyang (CN)
- (72) Inventor: **Xiaoshan Chen**, Jieyang (CN)
- (\*\*) Term: **15 Years**
- (21) Appl. No.: **29/871,657**
- (22) Filed: **Feb. 24, 2023**
- (51) **LOC (14) Cl.** ..... **08-05**
- (52) **U.S. Cl.**  
USPC ..... **D8/381**
- (58) **Field of Classification Search**  
USPC ..... D8/381, 355, 354, 380, 373, 363, 359,  
D8/358, 350, 349; 248/235, 237, 251,  
248/247, 243; 108/152, 108; 238/123,  
238/292  
CPC ..... A47B 87/00; A47B 96/02; A47B 96/06;  
A47B 57/06; A47B 87/005; A47B 57/34;  
A47B 96/021; A47B 96/061  
See application file for complete search history.

- 7,497,533 B2 \* 3/2009 Remmers ..... A47B 96/063  
211/90.01
- D596,931 S \* 7/2009 Fernandez ..... D8/381
- D618,087 S \* 6/2010 Stafford ..... D8/363
- D706,122 S \* 6/2014 Cayouette ..... D8/381
- D820,068 S 6/2018 Brooks
- D820,666 S \* 6/2018 Neste ..... D8/355
- 2016/0331130 A1 \* 11/2016 Neste ..... A47B 96/061

\* cited by examiner

*Primary Examiner* — Keli L Hill  
*Assistant Examiner* — Harold E Blackwell, II

(57) **CLAIM**

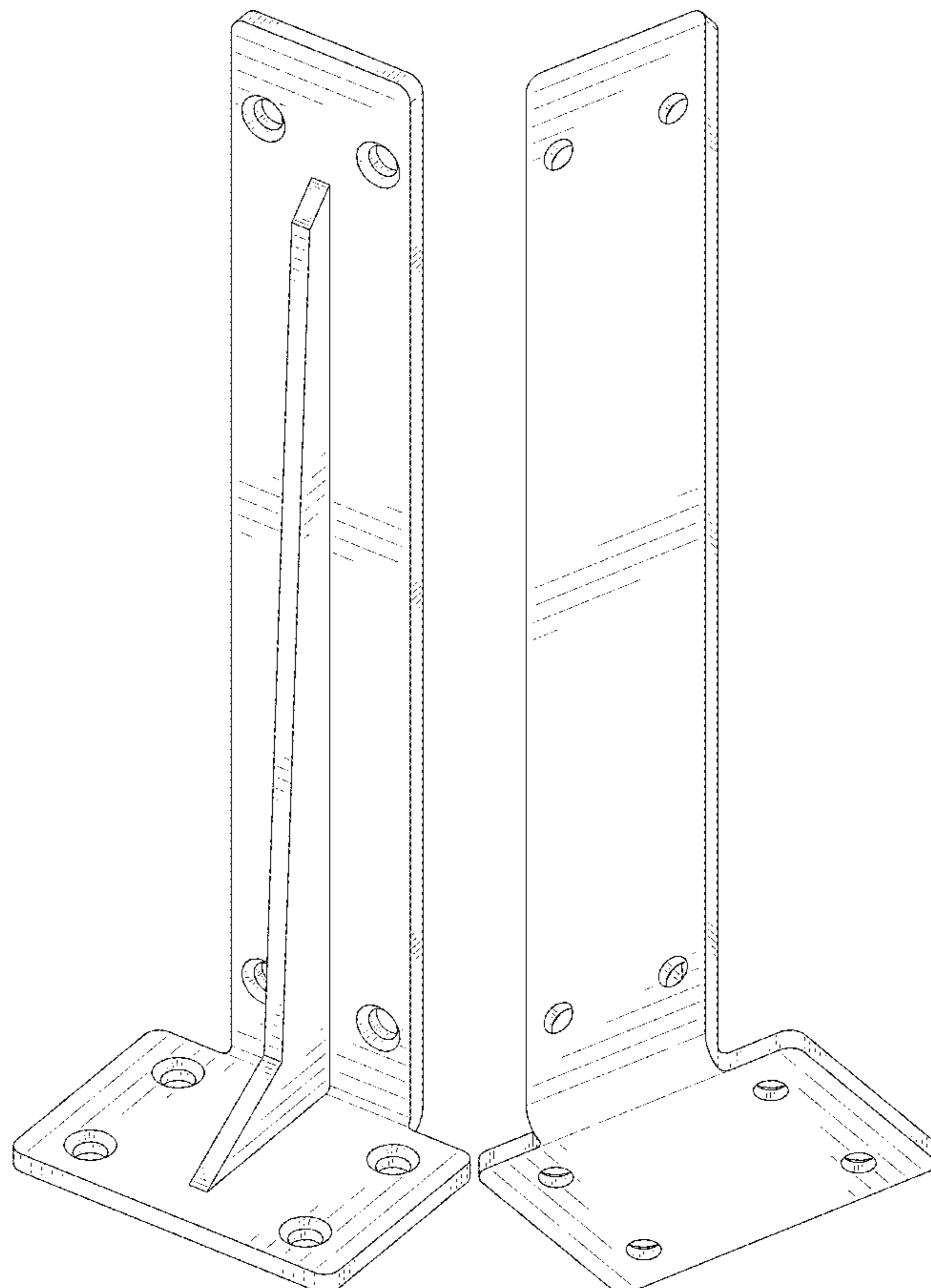
The ornamental design for a shelf bracket, as shown and described.

**DESCRIPTION**

FIG. 1 is a front and top perspective view of a shelf bracket, showing my new design;  
FIG. 2 is a rear and bottom perspective view thereof;  
FIG. 3 is a front elevation view thereof;  
FIG. 4 is a rear elevation view thereof;  
FIG. 5 is a left side elevation view thereof;  
FIG. 6 is a right side elevation view thereof;  
FIG. 7 is a top plan view thereof; and,  
FIG. 8 is a bottom plan view thereof.

**1 Claim, 8 Drawing Sheets**

- (56) **References Cited**  
U.S. PATENT DOCUMENTS  
4,299,368 A \* 11/1981 Winkler ..... A47B 57/56  
248/246  
D288,281 S \* 2/1987 Spicer ..... D8/380



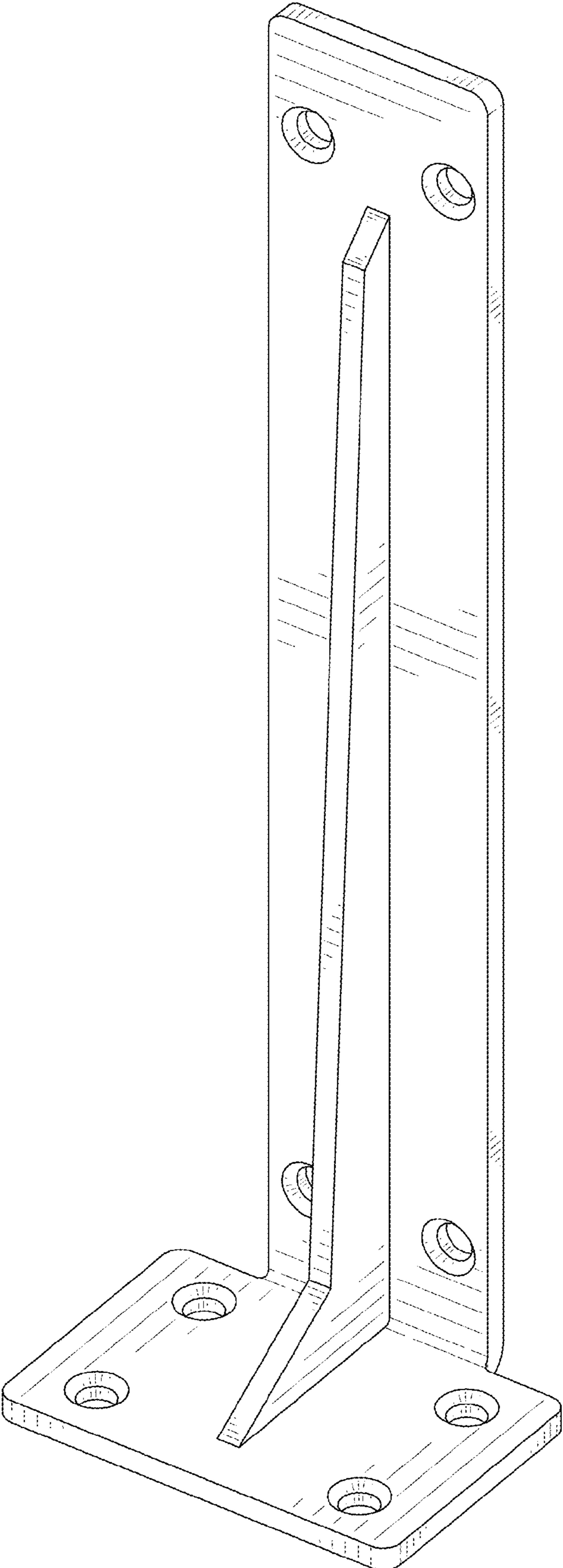


FIG. 1

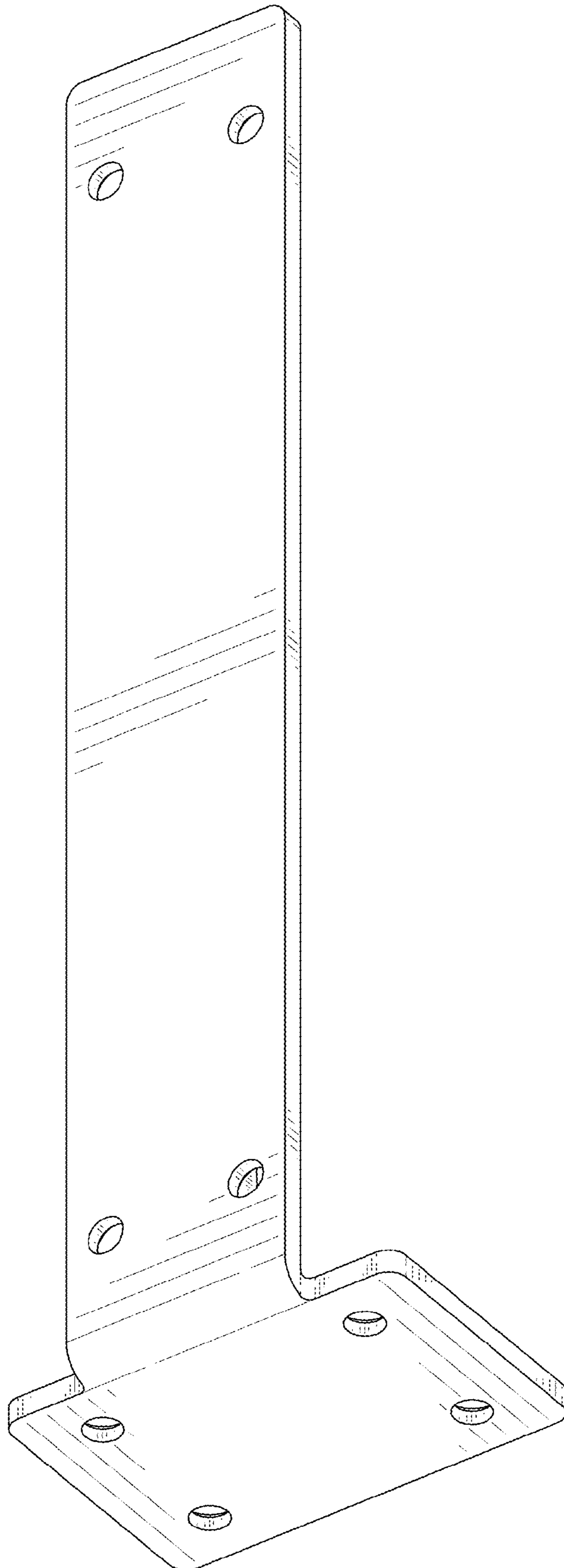


FIG. 2

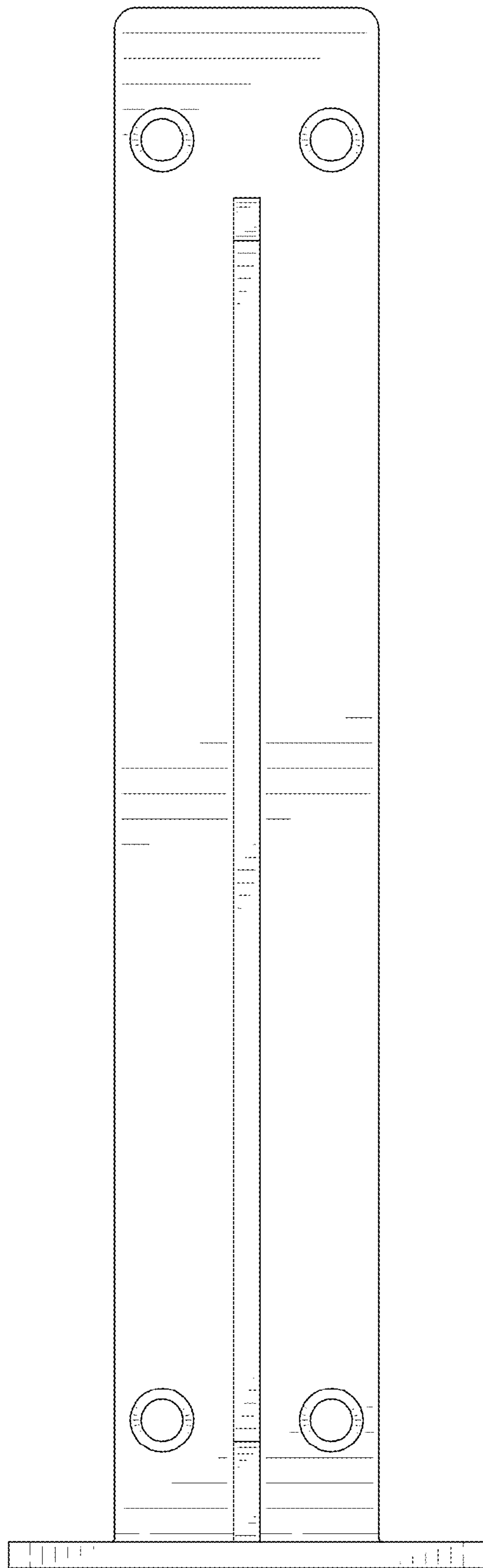


FIG. 3

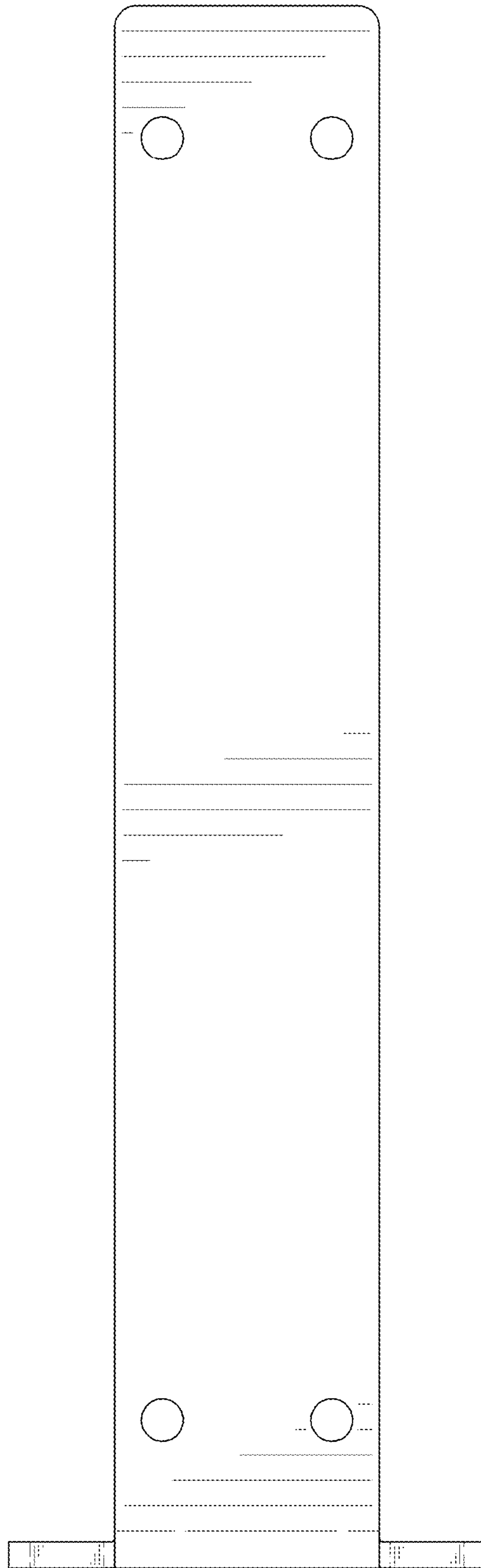


FIG. 4

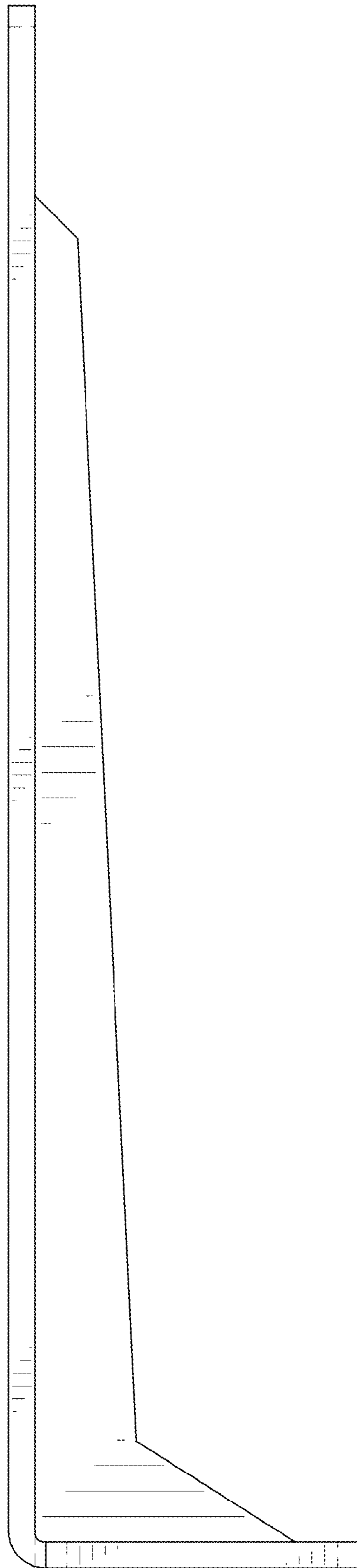


FIG. 5

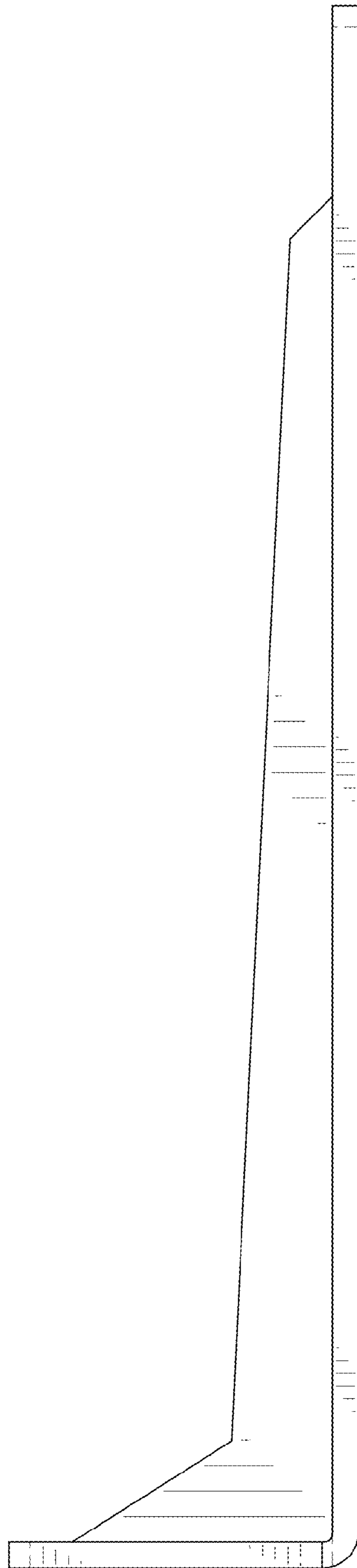


FIG. 6

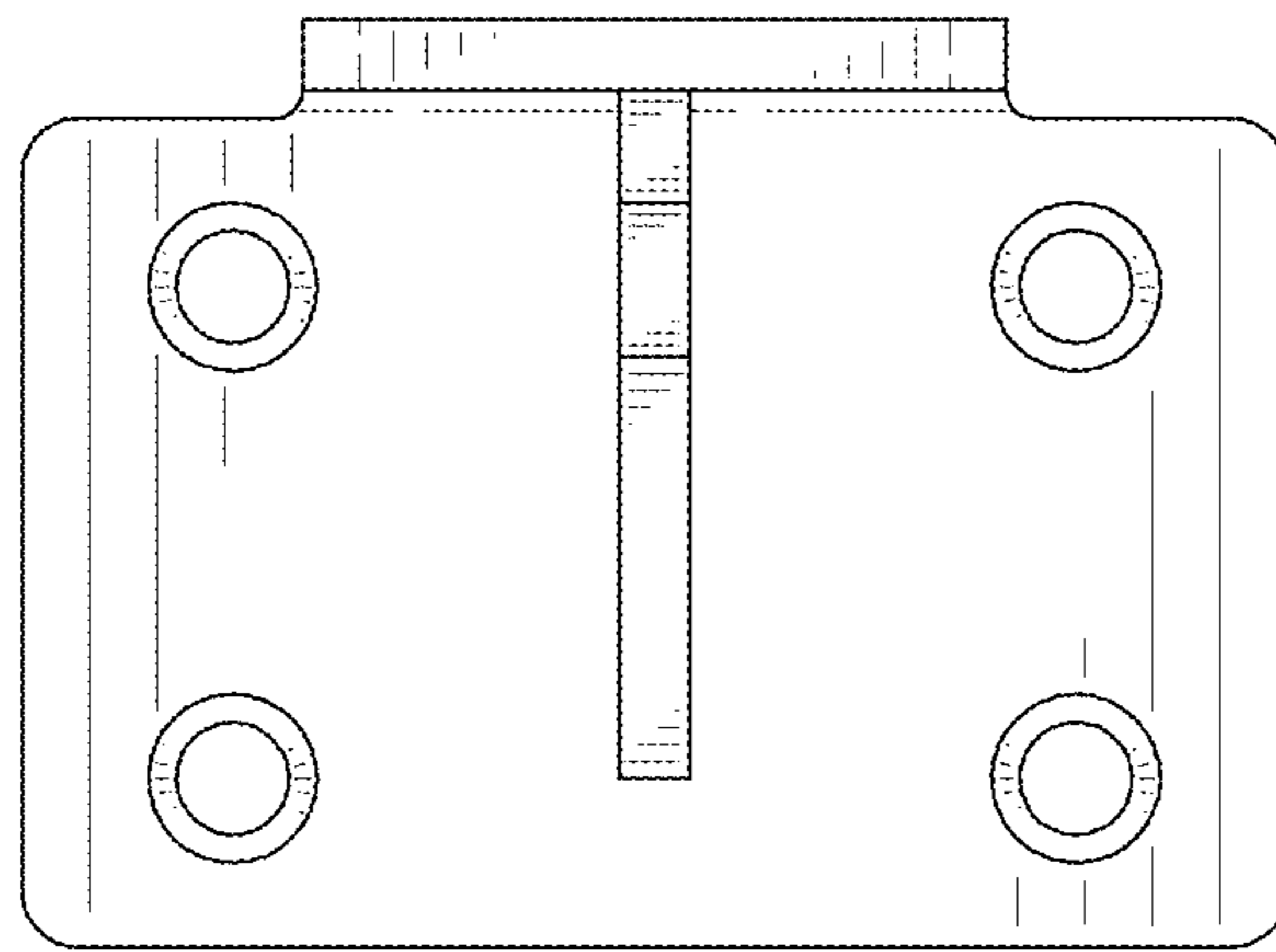


FIG. 7



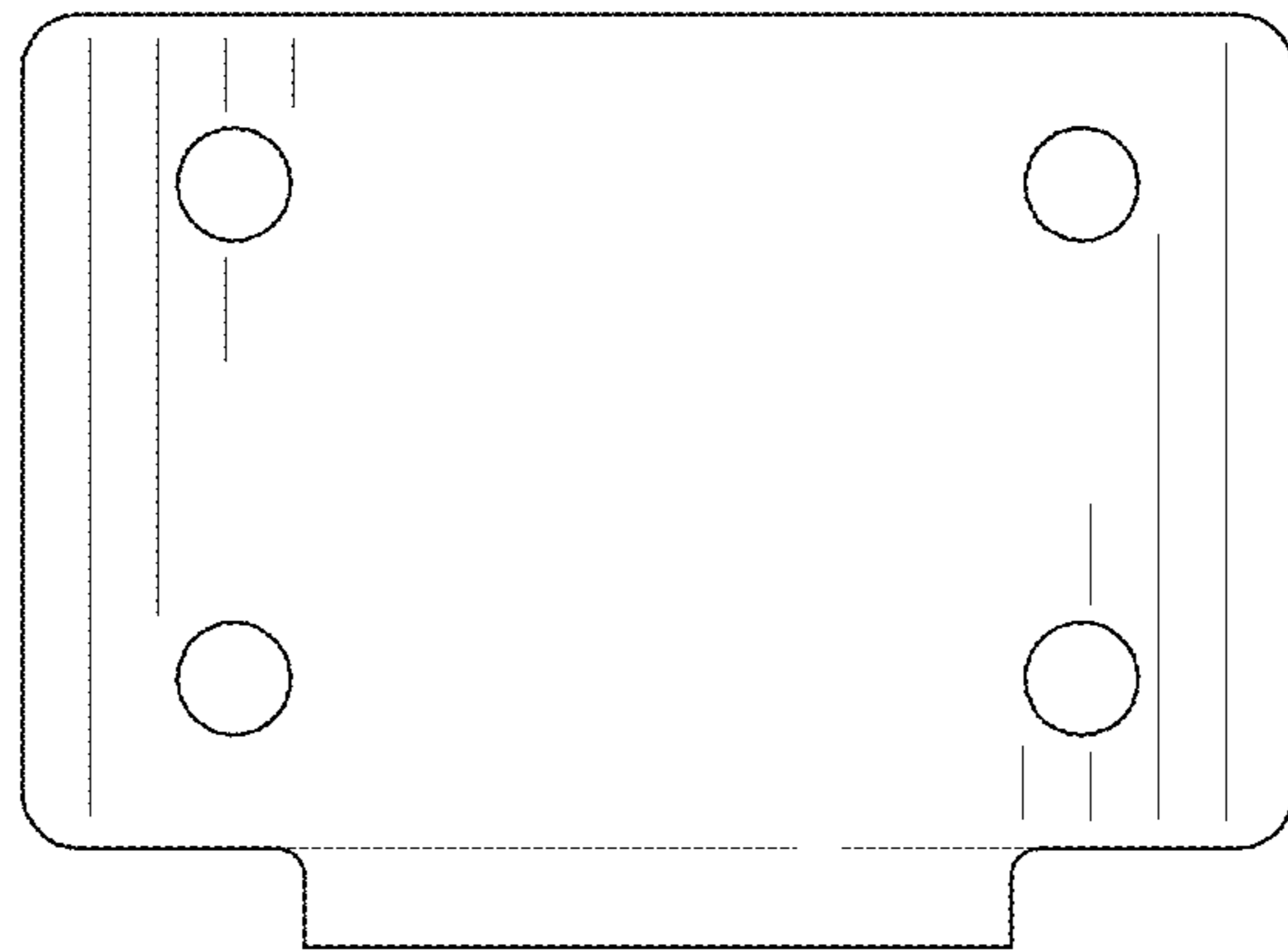


FIG. 8