



US00D988839S

(12) **United States Design Patent**
Yang

(10) **Patent No.:** **US D988,839 S**

(45) **Date of Patent:** **** Jun. 13, 2023**

(54) **MOUNTING BRACKET FOR LIGHT
FIXTURE**

(71) Applicant: **Hong Yang**, Langzhong (CN)

(72) Inventor: **Hong Yang**, Langzhong (CN)

(**) Term: **15 Years**

(21) Appl. No.: **29/860,083**

(22) Filed: **Nov. 16, 2022**

(51) **LOC (14) Cl.** **08-05**

(52) **U.S. Cl.**
USPC **D8/354**; D26/138

(58) **Field of Classification Search**
USPC D26/24, 72, 81, 84, 142, 60-66,
D26/138-139, 26-28, 74, 75, 76, 82, 106,
D26/109, 113, 118; D8/354;
D25/119-122

CPC H01R 5/14; H01R 5/00
See application file for complete search history.

(56) **References Cited**

U.S. PATENT DOCUMENTS

D244,508 S * 5/1977 Neece D8/354
D560,221 S * 1/2008 Hoglan D14/451
D736,413 S * 8/2015 Sparks D25/121

D782,105 S * 3/2017 Klus D26/138
D807,572 S * 1/2018 Klus D26/138
D809,704 S * 2/2018 Klus D26/142
D811,626 S * 2/2018 Sparks D25/121
D818,190 S * 5/2018 Trzesniowski D26/138
D824,584 S * 7/2018 Klus D26/138
D867,654 S * 11/2019 Berry D26/142
D886,569 S * 6/2020 Vlad D8/354
D951,758 S * 5/2022 Luscombe et al.
11,406,095 B2 * 8/2022 Chang A01M 1/145

* cited by examiner

Primary Examiner — Keli L Hill

Assistant Examiner — Harold E Blackwell, II

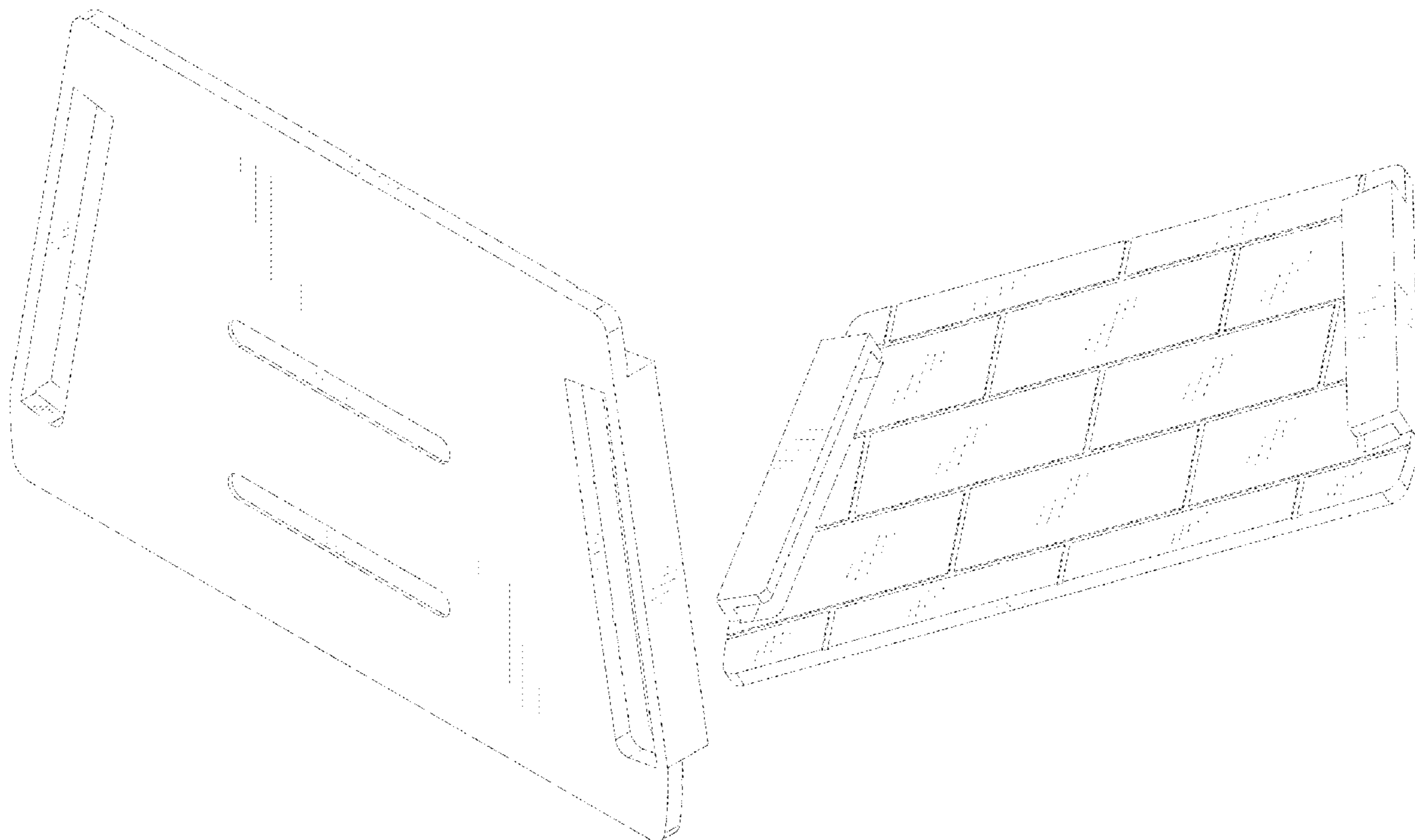
(57) **CLAIM**

The ornamental design for a mounting bracket for light fixture, as shown and described.

DESCRIPTION

FIG. 1 is a front and top perspective view of a mounting bracket for light fixture, showing my new design; FIG. 2 is a rear and bottom perspective view thereof; FIG. 3 is a front elevation view thereof; FIG. 4 is a rear elevation view thereof; FIG. 5 is a left side elevation view thereof; FIG. 6 is a right side elevation view thereof; FIG. 7 is a top plan view thereof; and, FIG. 8 is a bottom plan view thereof.

1 Claim, 8 Drawing Sheets



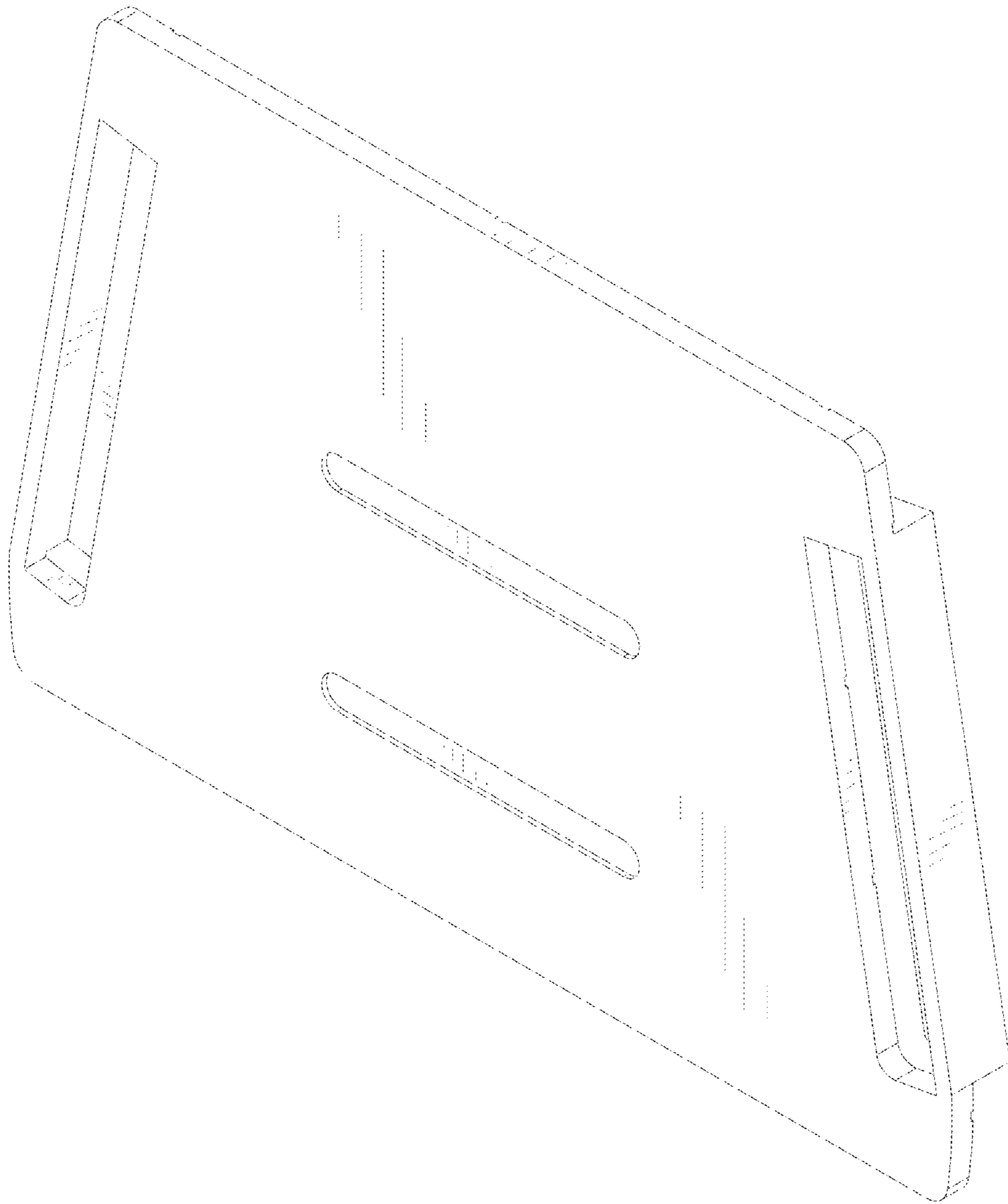


FIG. 1

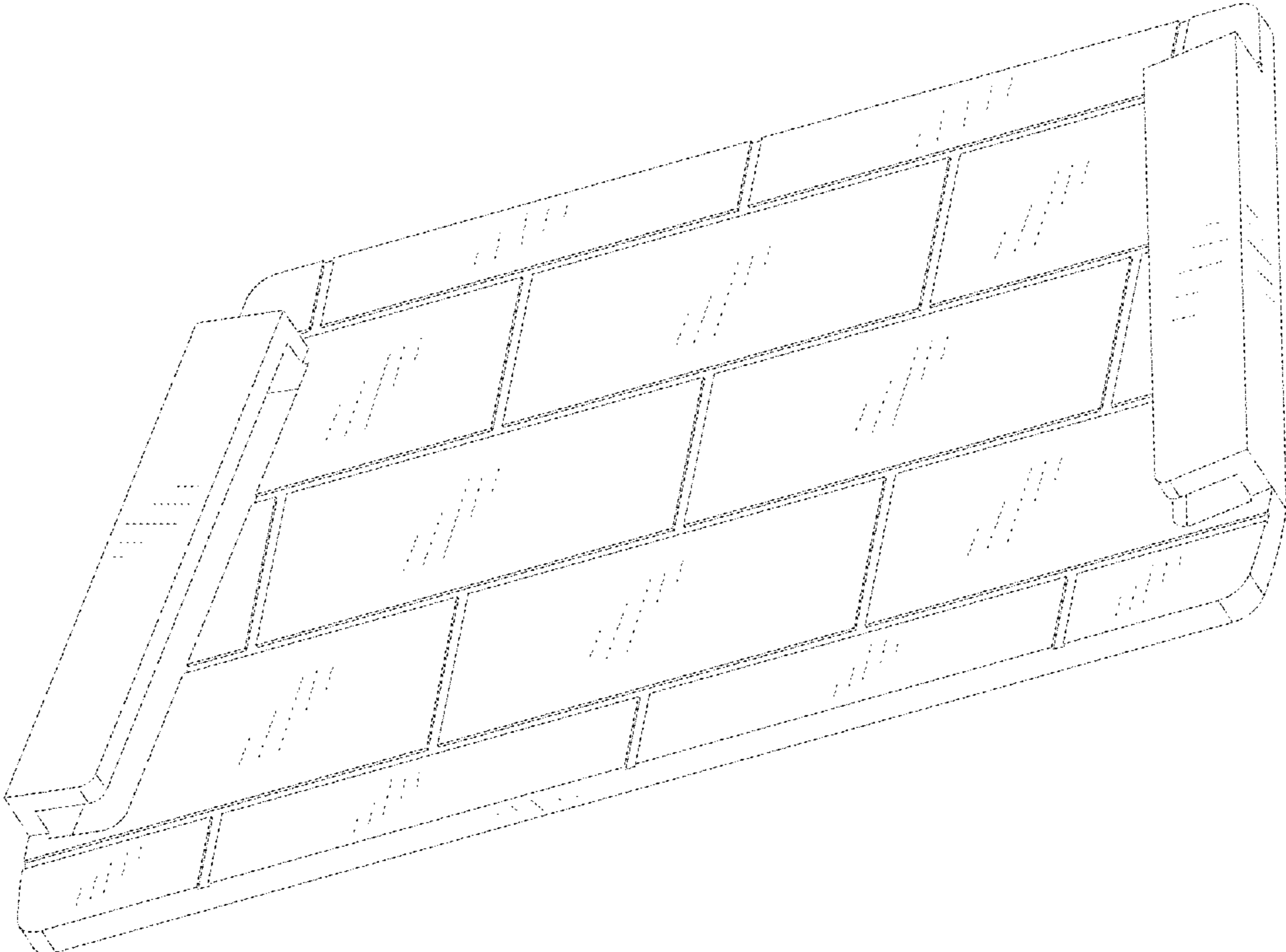


FIG. 2

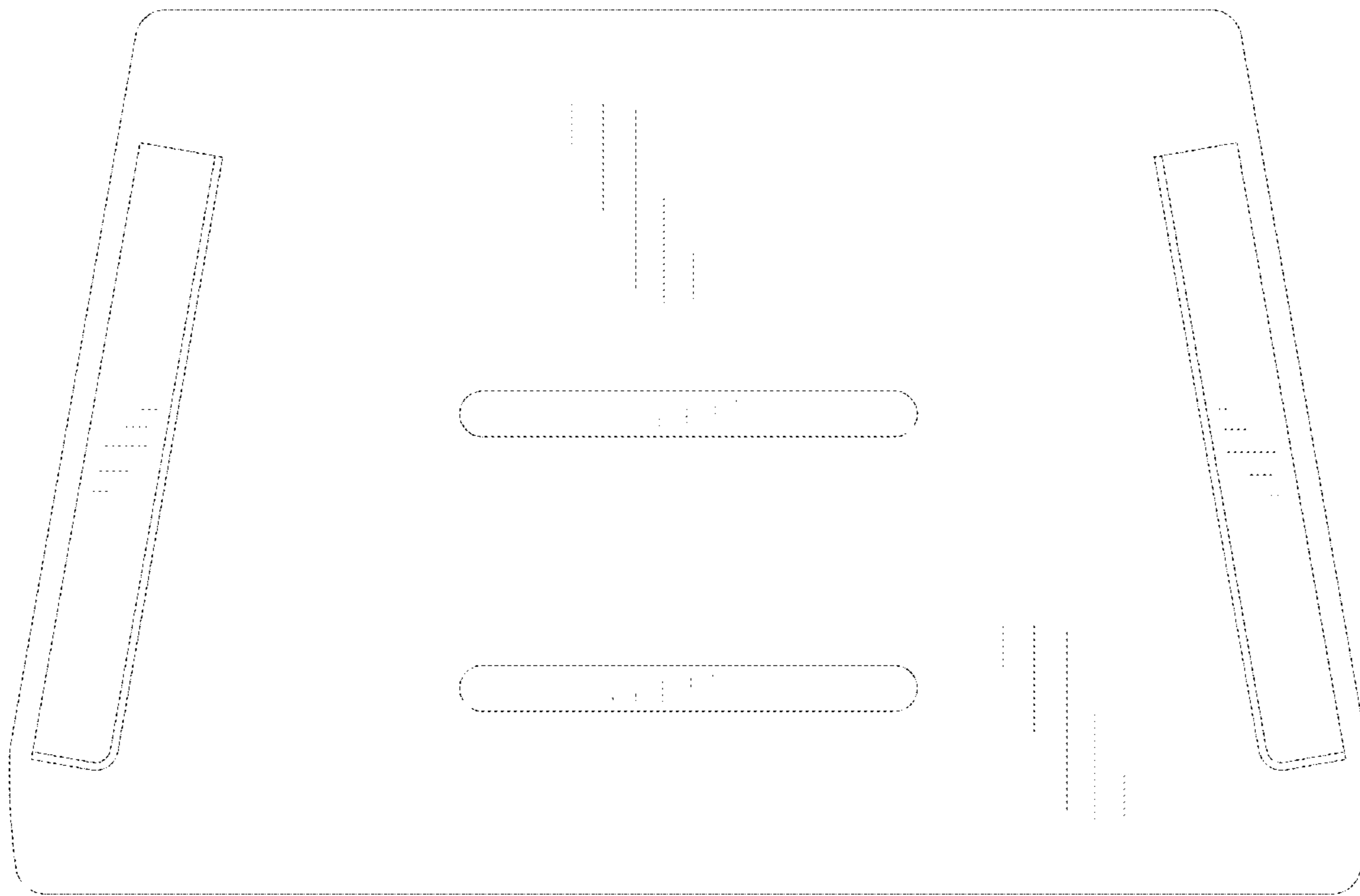


FIG. 3

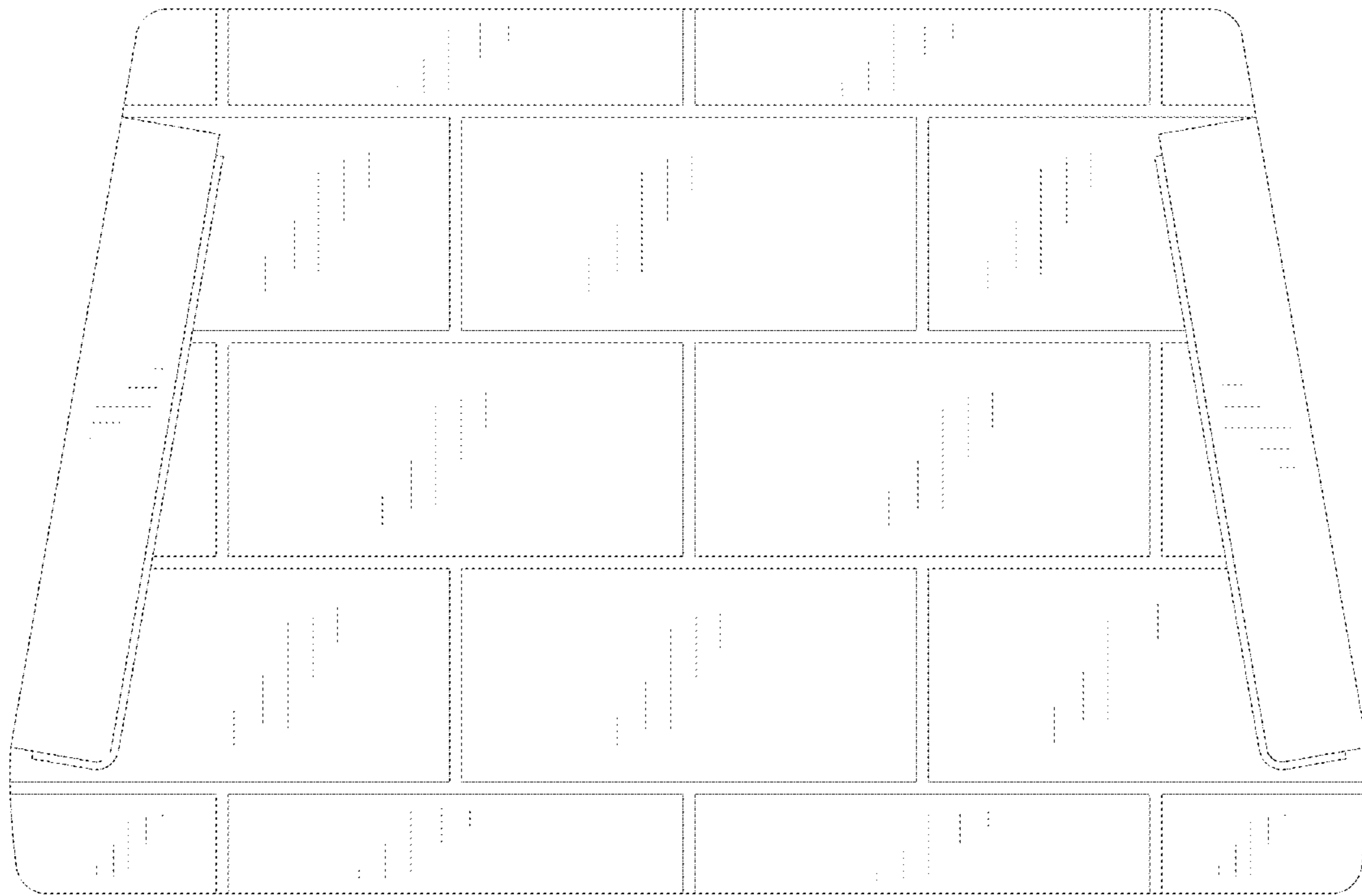


FIG. 4

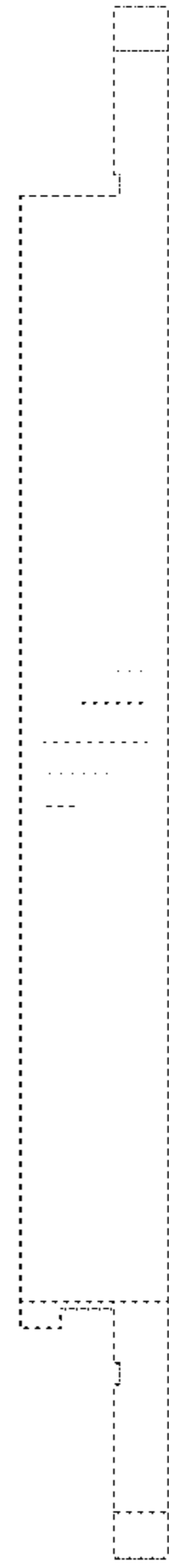


FIG. 5

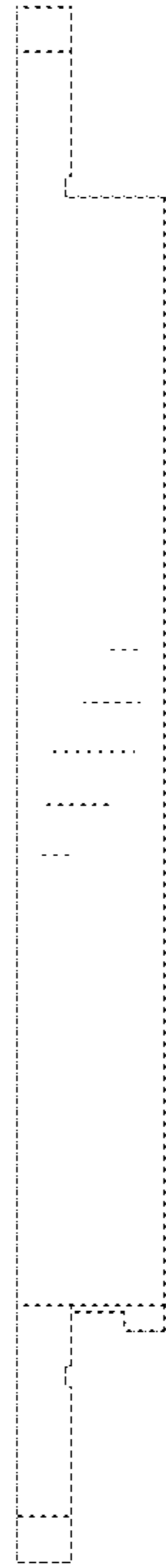


FIG. 6

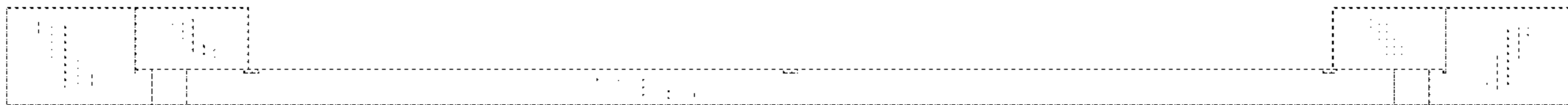


FIG. 7

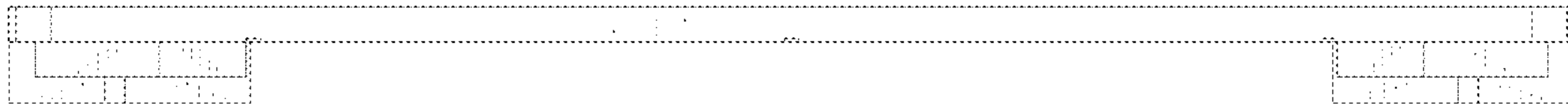


FIG. 8