



US00D988836S

(12) **United States Design Patent**  
**Sommer et al.**

(10) **Patent No.:** **US D988,836 S**  
(45) **Date of Patent:** **\*\* Jun. 13, 2023**

- (54) **ANTITHEFT DEVICE**
- (71) Applicants: **Frank Sommer**, Balingen (DE);  
**Andreas Massold**, Balingen (DE)
- (72) Inventors: **Frank Sommer**, Balingen (DE);  
**Andreas Massold**, Balingen (DE)
- (73) Assignee: **SOMA GmbH & Co. KG**,  
Dotternhausen (DE)

D520,850 S *	5/2006	Jackson	.....	D8/308
D549,087 S *	8/2007	Pontaoe	.....	D8/383
D684,812 S *	6/2013	Johnson	.....	D9/435
D820,662 S *	6/2018	Kuchler	.....	D8/333
D837,632 S *	1/2019	Kao	.....	D8/343
D867,882 S *	11/2019	Arminak	.....	B65D 50/041
				D9/449
D895,992 S *	9/2020	Hall	.....	D6/349
D901,280 S *	11/2020	Jin	.....	D8/336
D922,176 S *	6/2021	Bullock	.....	B65D 81/3834
				D8/336

(Continued)

- (\*\*) Term: **15 Years**
- (21) Appl. No.: **29/766,362**
- (22) Filed: **Jan. 14, 2021**

*Primary Examiner* — Eliza Z Harvey  
*Assistant Examiner* — Kayla Marie Bennett  
(74) *Attorney, Agent, or Firm* — Charles H Jew

(30) **Foreign Application Priority Data**

Nov. 12, 2020 (EM) ..... 008267306

(51) **LOC (14) Cl.** ..... **08-07**

(52) **U.S. Cl.**  
USPC ..... **D8/339**

(58) **Field of Classification Search**  
USPC ..... D8/334, 333, 343, 339, 335, 330, 331,  
D8/332; D99/28, 34, 35, 36  
CPC ..... E05B 77/00; E05B 71/00; E05B 67/36;  
E05B 65/00; E05B 67/063; E05B 13/10;  
E05B 2047/0084; E05B 77/28; E05B  
37/00; E05B 2047/0068; E05B  
2047/0024; E05B 85/10; E05B 37/025;  
E05B 41/00  
See application file for complete search history.

(56) **References Cited**

**U.S. PATENT DOCUMENTS**

D269,590 S *	7/1983	Jansson	.....	D8/382
D371,952 S *	7/1996	Evans	.....	D8/331
D450,231 S *	11/2001	Niswanger	.....	D8/330
D452,115 S *	12/2001	Malimovka	.....	D7/503
D505,854 S *	6/2005	Wyers	.....	D8/343
D515,285 S *	2/2006	James	.....	D2/889

(57) **CLAIM**

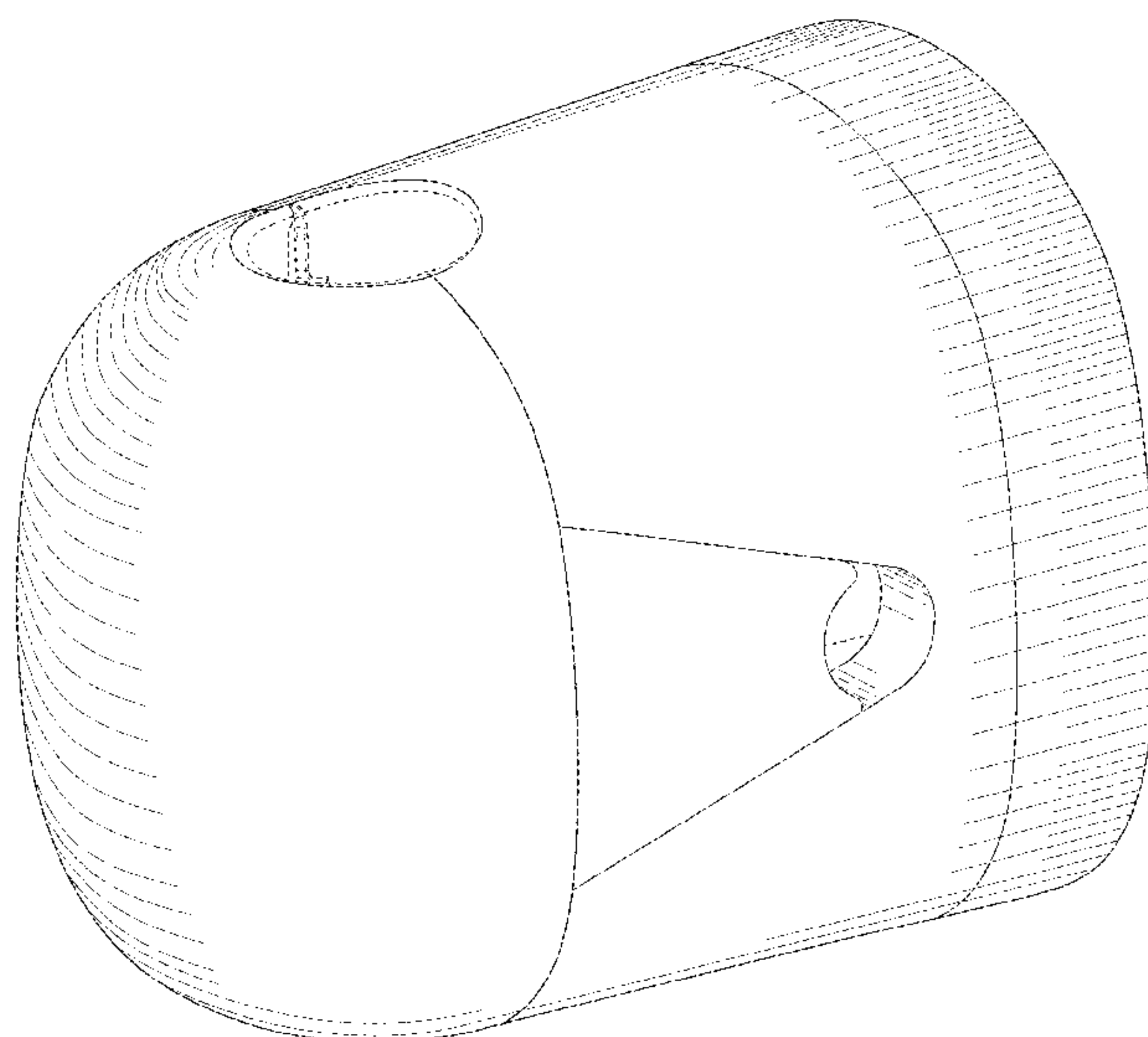
The ornamental design for an antitheft device, as shown and described.

**DESCRIPTION**

FIG. 1 is front top perspective view of the antitheft device in an assembled condition;  
FIG. 2 is a top plan view thereof; the bottom plan view being a mirror image thereof, therefore not shown;  
FIG. 3 is a front elevational view thereof;  
FIG. 4 is a rear elevational view thereof;  
FIG. 5 is a left side elevational view thereof; the right-side elevational view being a mirror image thereof, therefore not shown;  
FIG. 6 is a front side perspective view thereof;  
FIG. 7 is an exploded front, top, left perspective view thereof, shown in an environment of use; and,  
FIG. 8 is a front, top perspective view thereof, shown in an alternate environment of use.

The broken lines shown in FIGS. 1, 2, 4 and 8 illustrate portions of the antitheft device that form no part of the claimed design; the additional broken lines shown in FIGS. 7 and 8 are for purposes of illustrating environment only and form no part thereof.

**1 Claim, 8 Drawing Sheets**



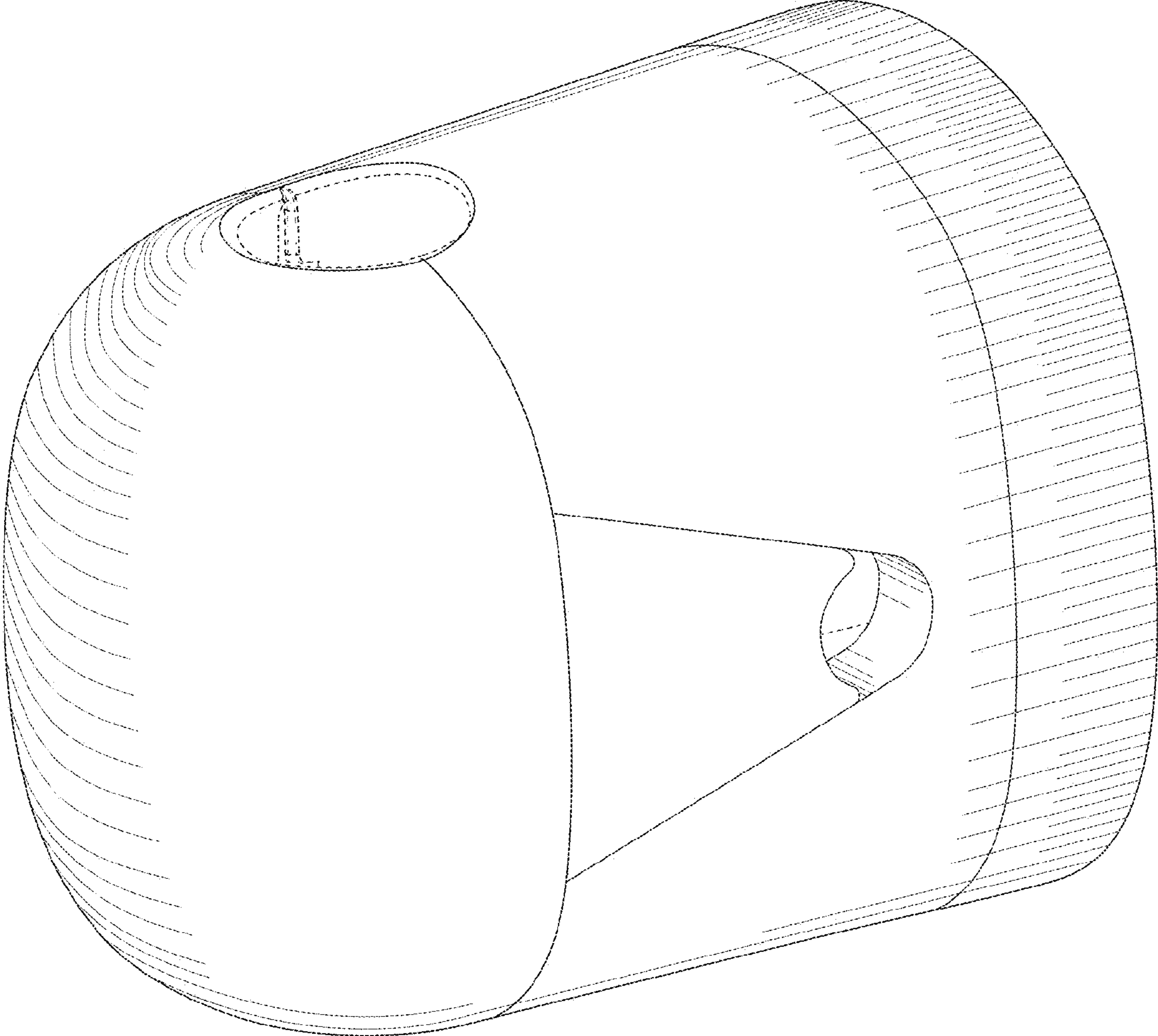
(56)

**References Cited**

U.S. PATENT DOCUMENTS

D923,399 S \* 6/2021 Egorov ..... D7/396.2  
D948,958 S \* 4/2022 Tsai ..... D7/615  
2020/0180828 A1\* 6/2020 Cho ..... B65D 43/0231

\* cited by examiner



**FIG. 1**

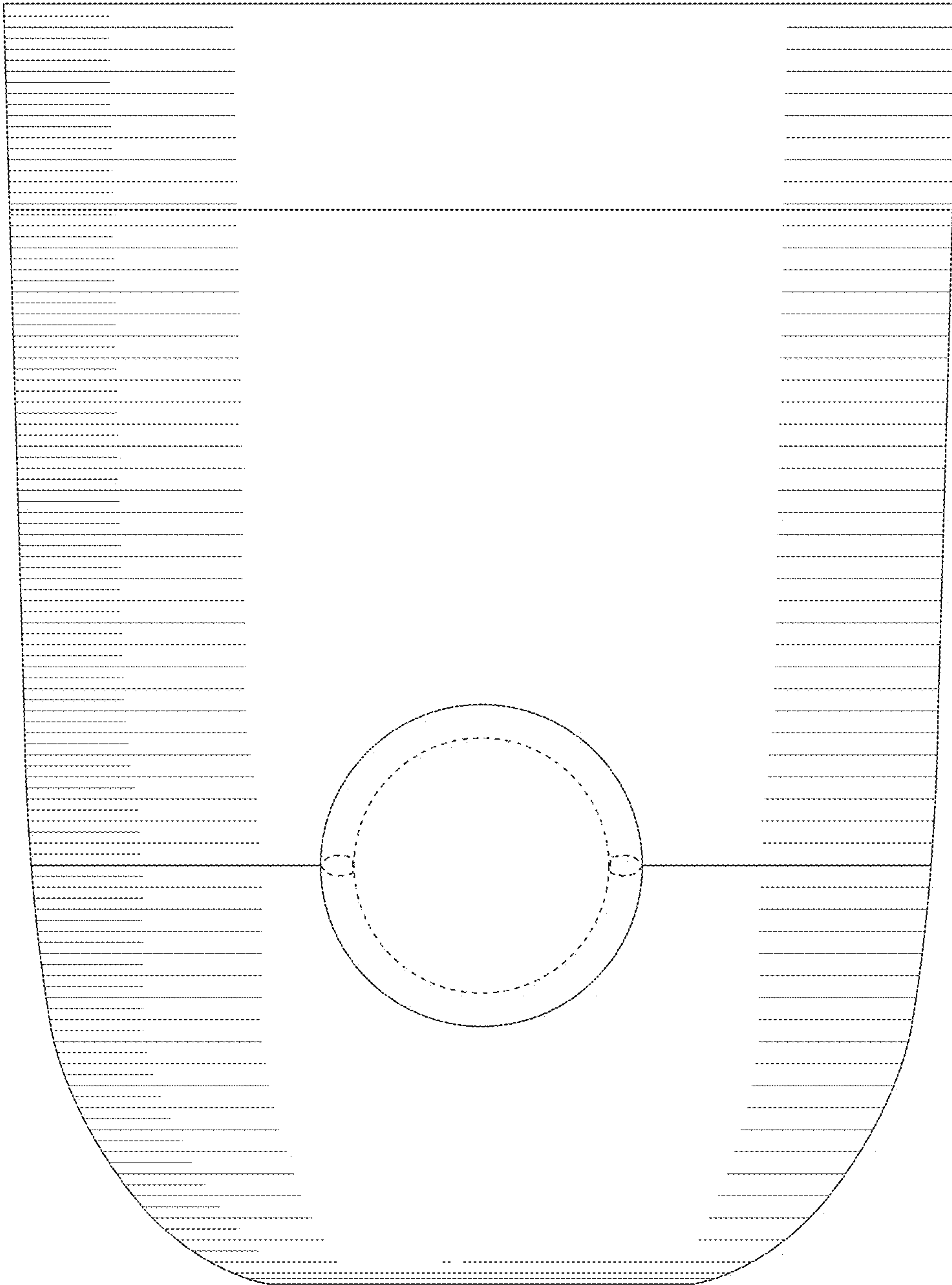
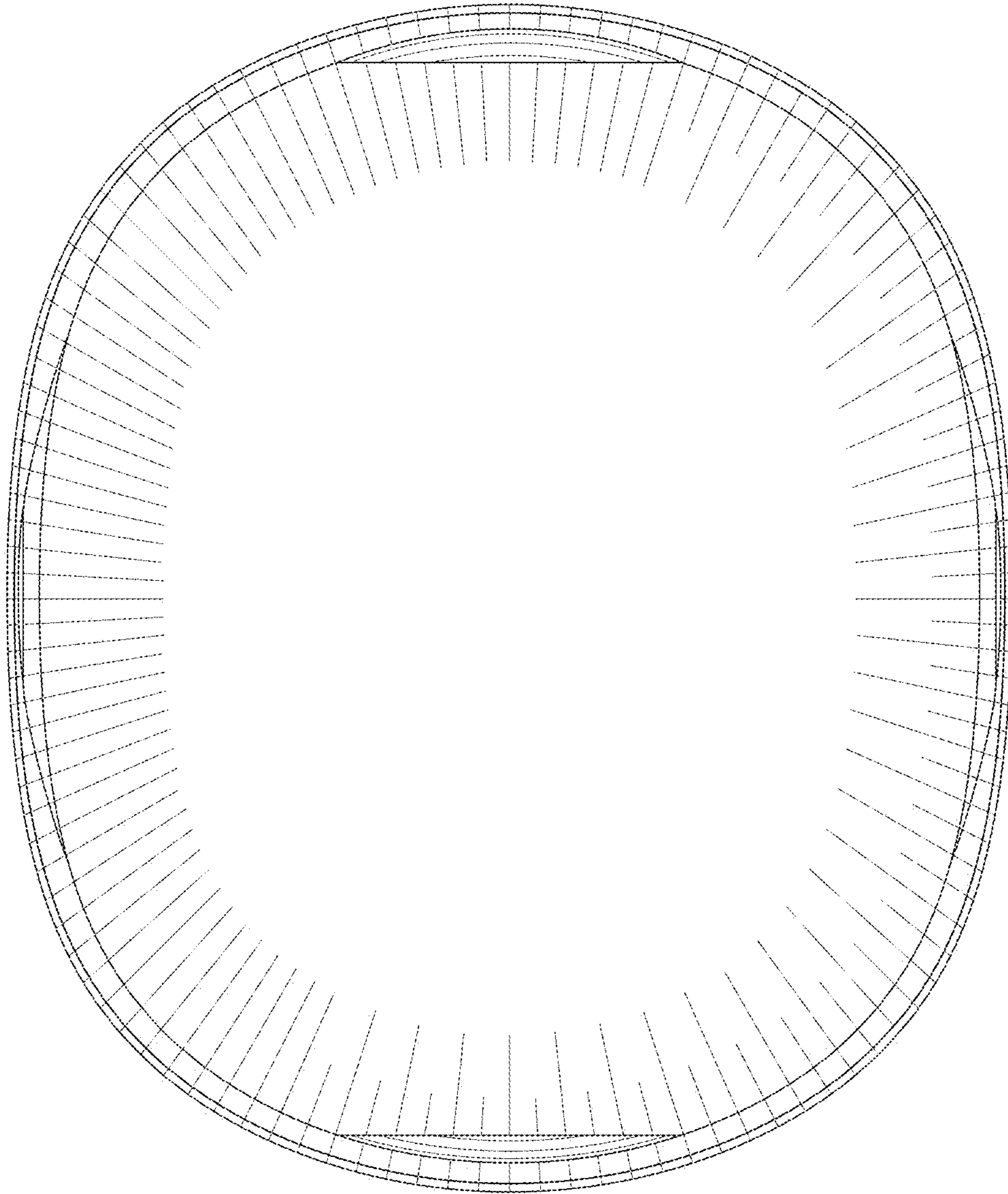
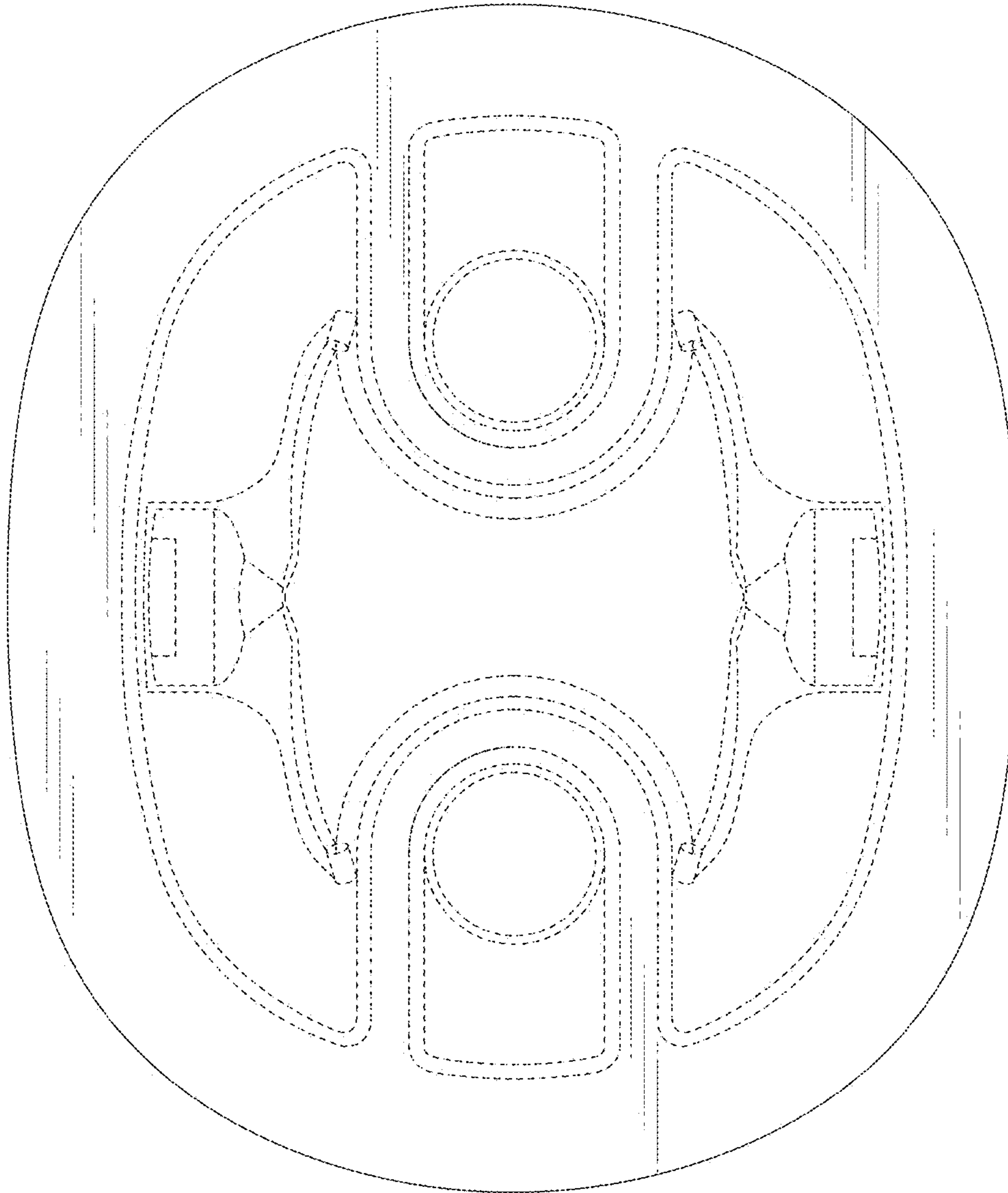


FIG. 2



**FIG. 3**





**FIG. 4**

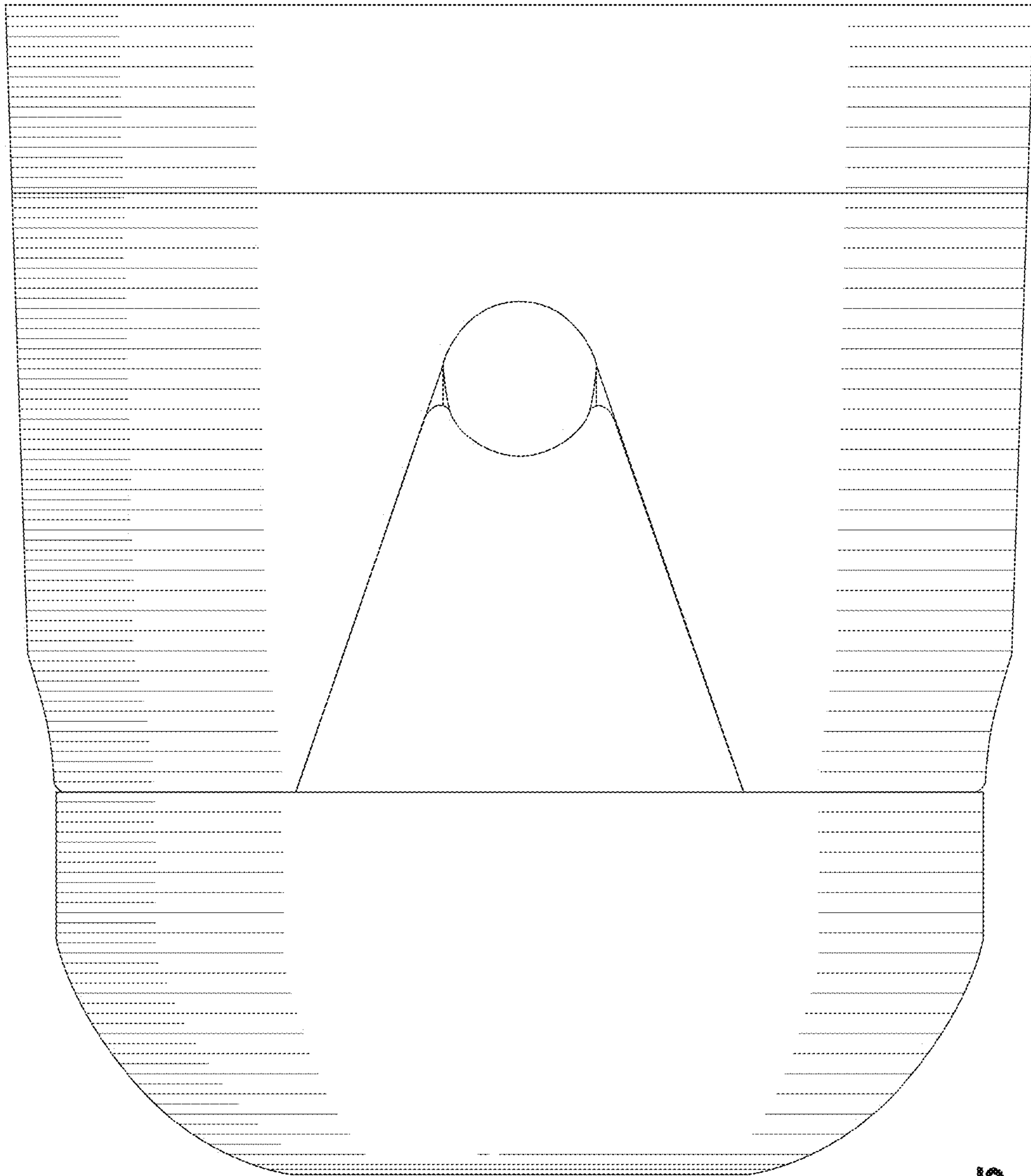


FIG. 5

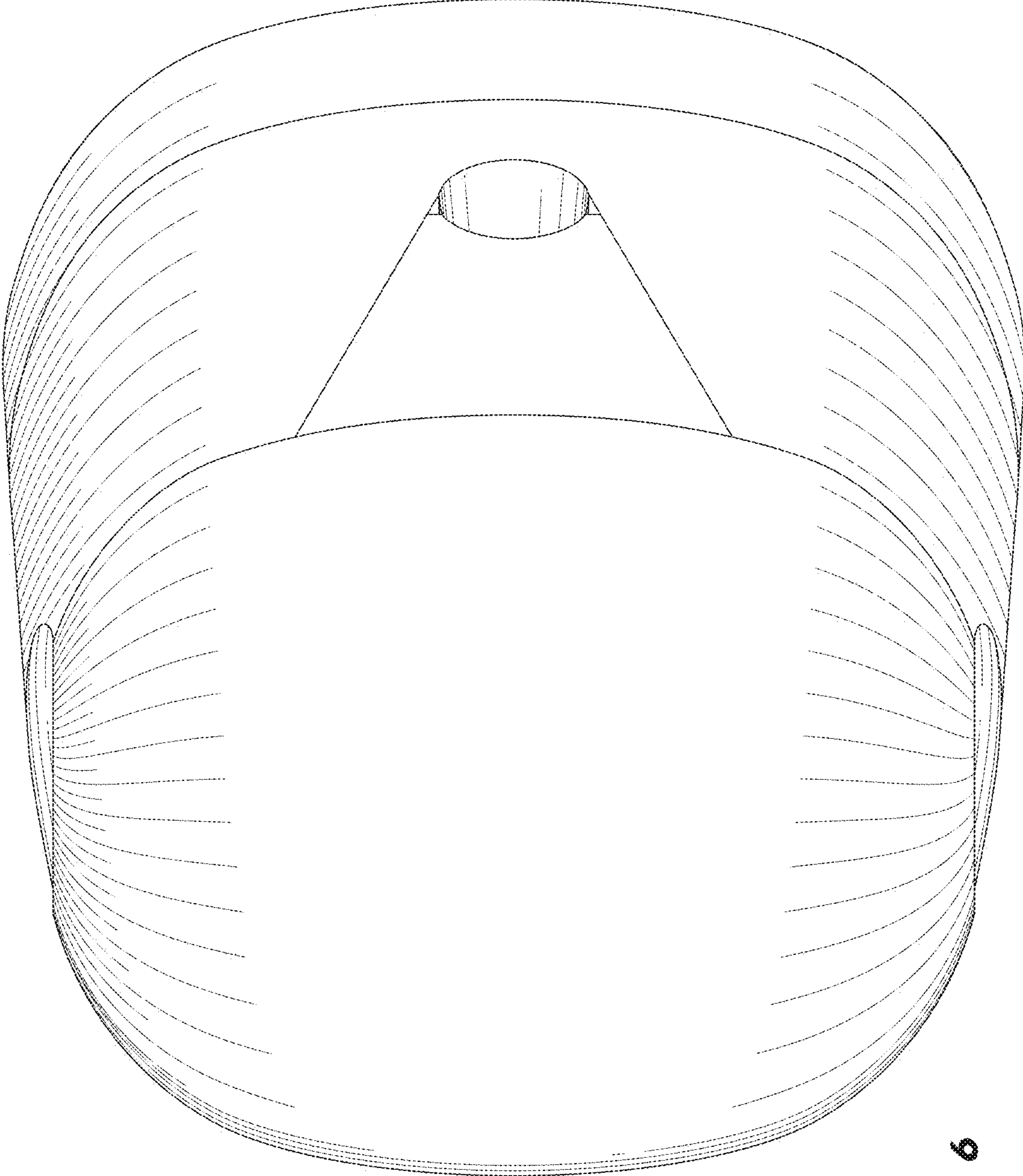


FIG. 6



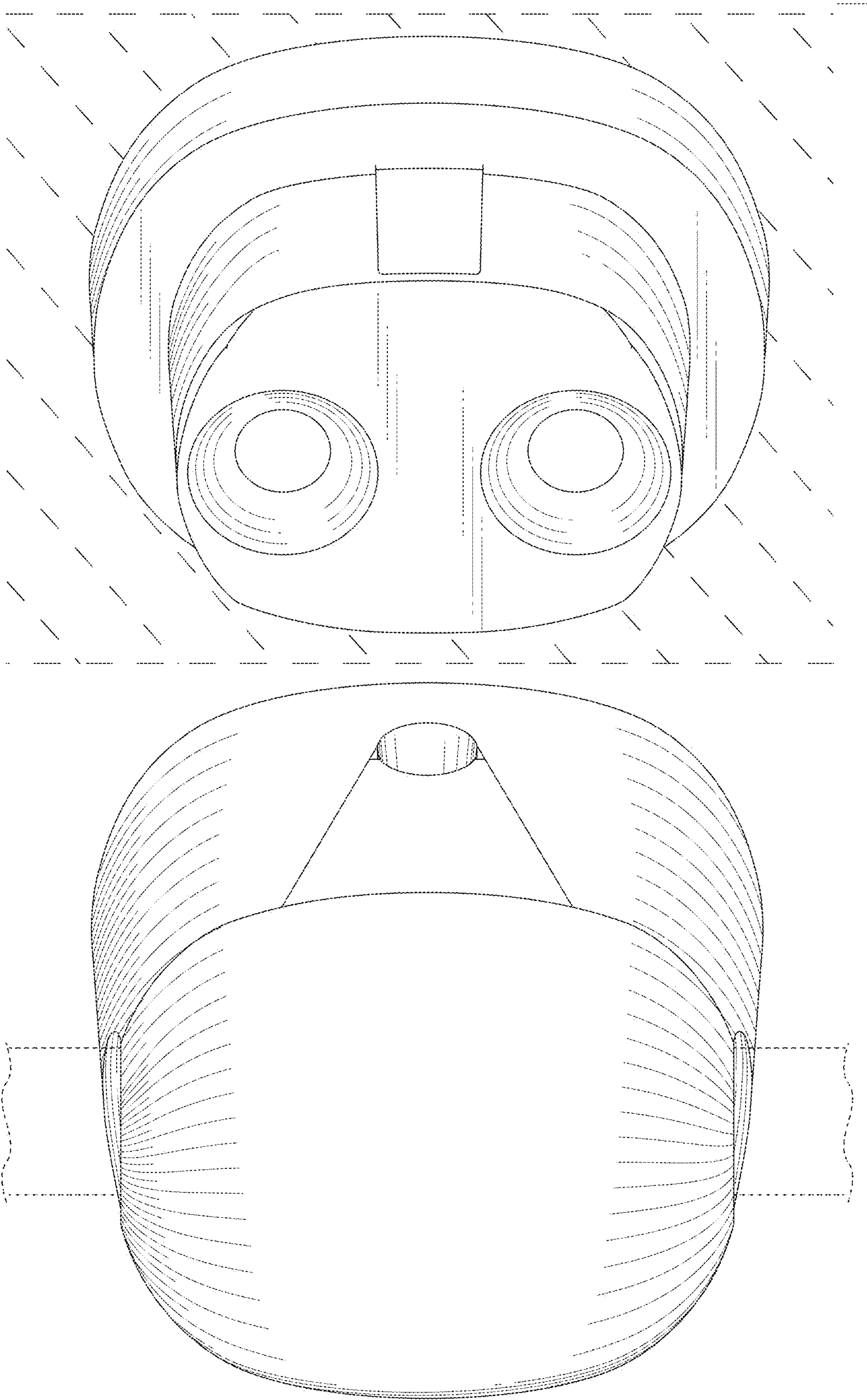


FIG. 7

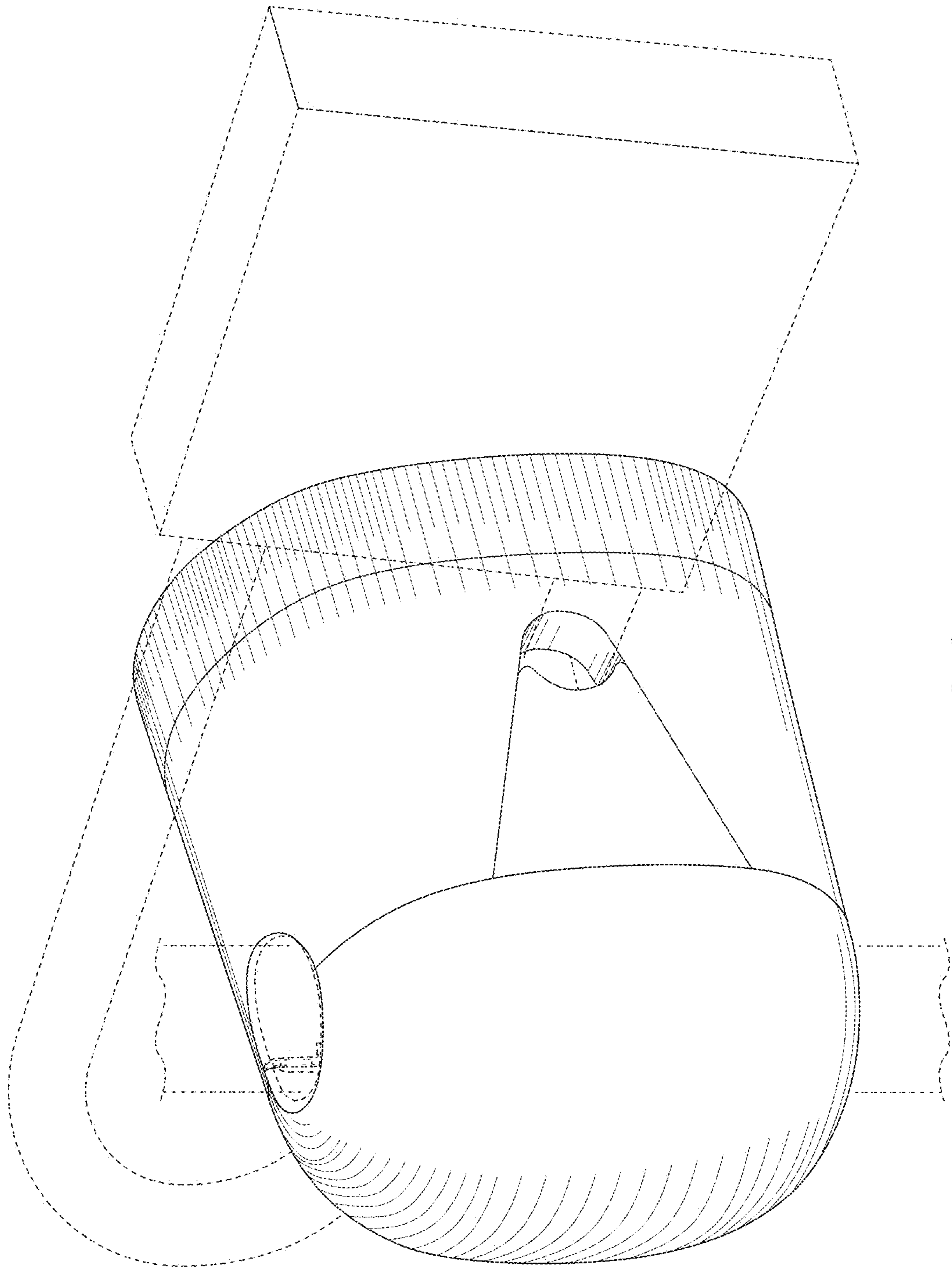


FIG. 8