



US00D988834S

(12) **United States Design Patent**
Yin

(10) **Patent No.:** **US D988,834 S**
(45) **Date of Patent:** **** Jun. 13, 2023**

(54) **SHACKLE**

D433,311 S * 11/2000 Luquire D8/333
2021/0189766 A1* 6/2021 Lai E05B 35/105

(71) Applicant: **ZHONGSHAN GREAT-PET
INTERNATIONAL CO., LTD.,**
Zhongshan (CN)

* cited by examiner

Primary Examiner — Doris Clark

(72) Inventor: **Lin Yin**, Zhongshan (CN)

(73) Assignee: **ZHONGSHAN GREAT-PET
INTERNATIONAL CO., LTD.,**
Zhongshan (CN)

(57) **CLAIM**

The ornamental design for a shackle, as shown and described.

(**) Term: **15 Years**

(21) Appl. No.: **29/787,103**

(22) Filed: **Jun. 4, 2021**

DESCRIPTION

(51) **LOC (14) Cl.** **08-07**

(52) **U.S. Cl.**
USPC **D8/333**

(58) **Field of Classification Search**
USPC D8/333
CPC E05B 67/063; E05B 67/32; E05B 67/06;
E05B 2067/066

See application file for complete search history.

FIG. 1 is a perspective view of a shackle showing my new design;
FIG. 2 is another perspective view thereof;
FIG. 3 is a front elevational view thereof;
FIG. 4 is a rear elevational view thereof;
FIG. 5 is a left side elevational view thereof;
FIG. 6 is a right side elevational view thereof;
FIG. 7 is a top plan view thereof; and,
FIG. 8 is a bottom plan view thereof.

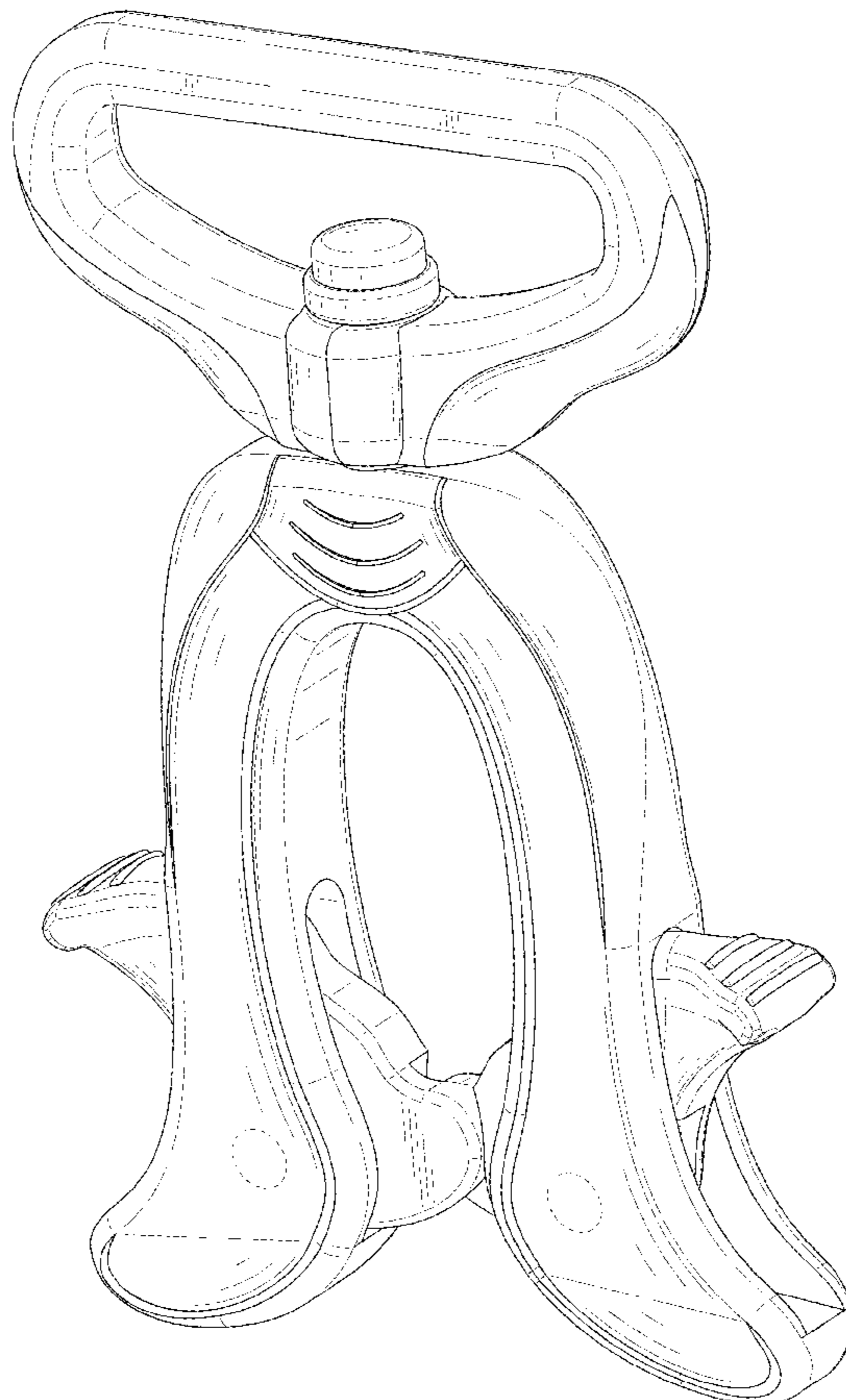
The broken lines in the drawings depict portions of the shackle that form no part of the claimed design.

(56) **References Cited**

U.S. PATENT DOCUMENTS

D390,772 S * 2/1998 Hare D8/333

1 Claim, 8 Drawing Sheets



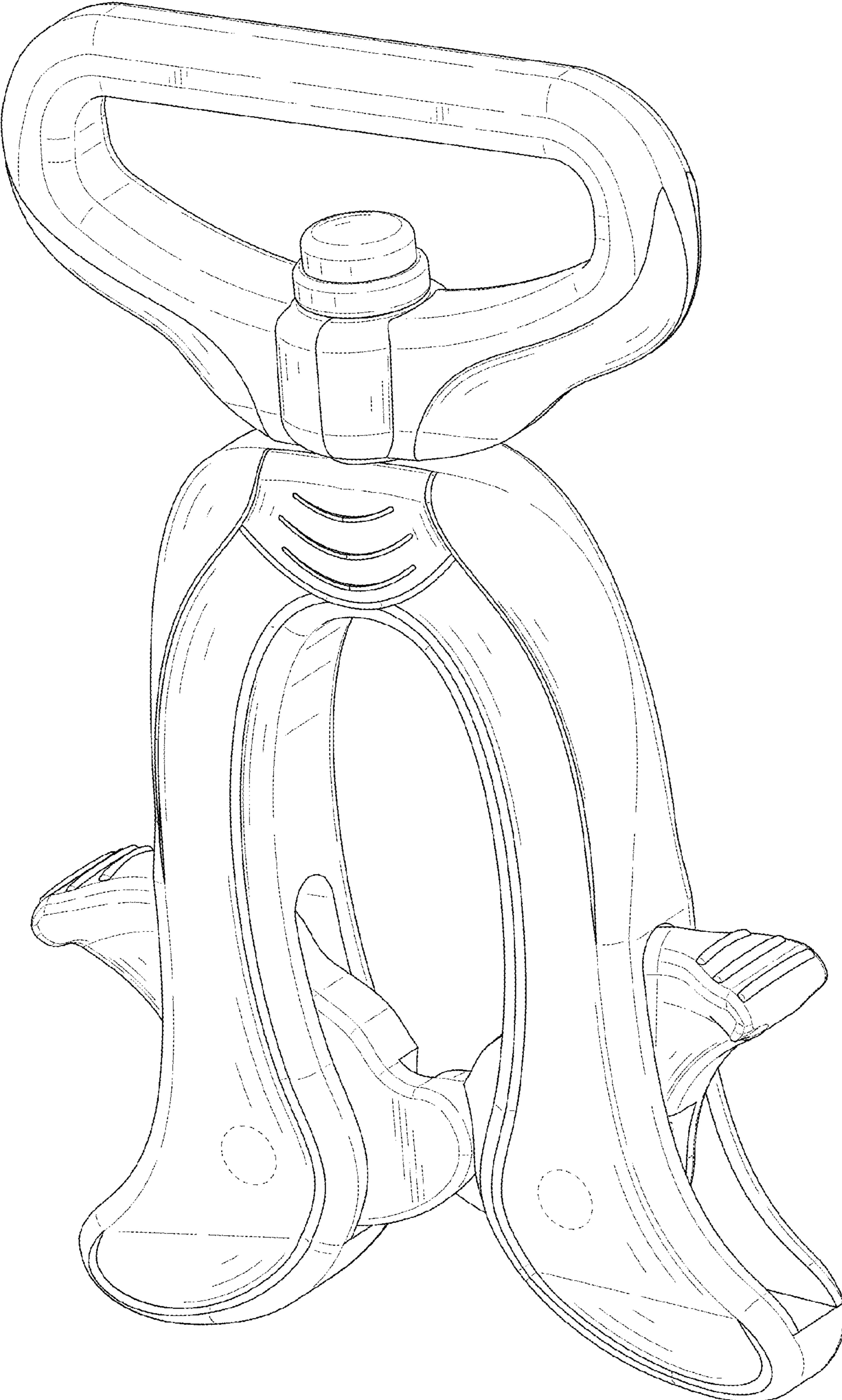


FIG. 1

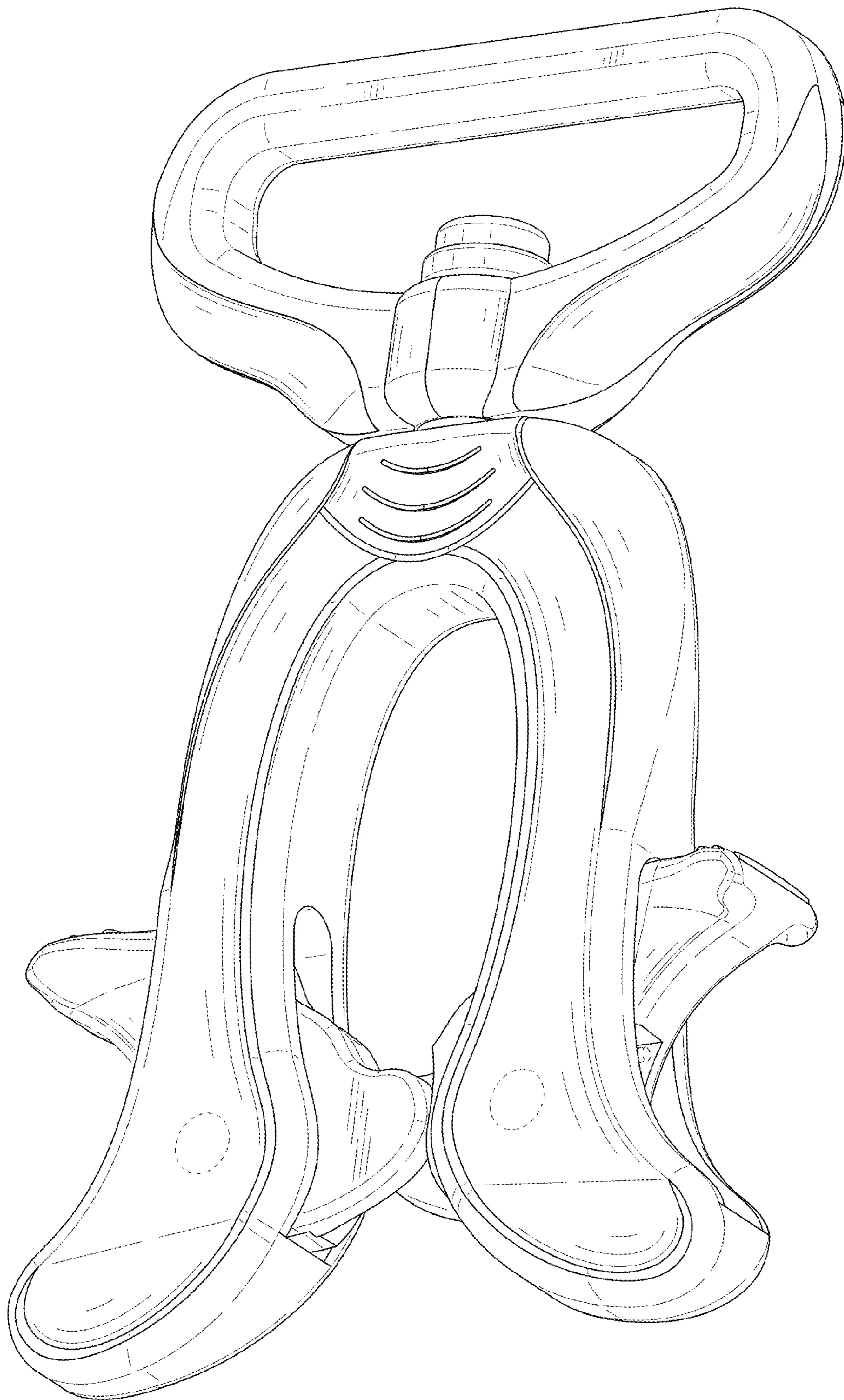


FIG. 2

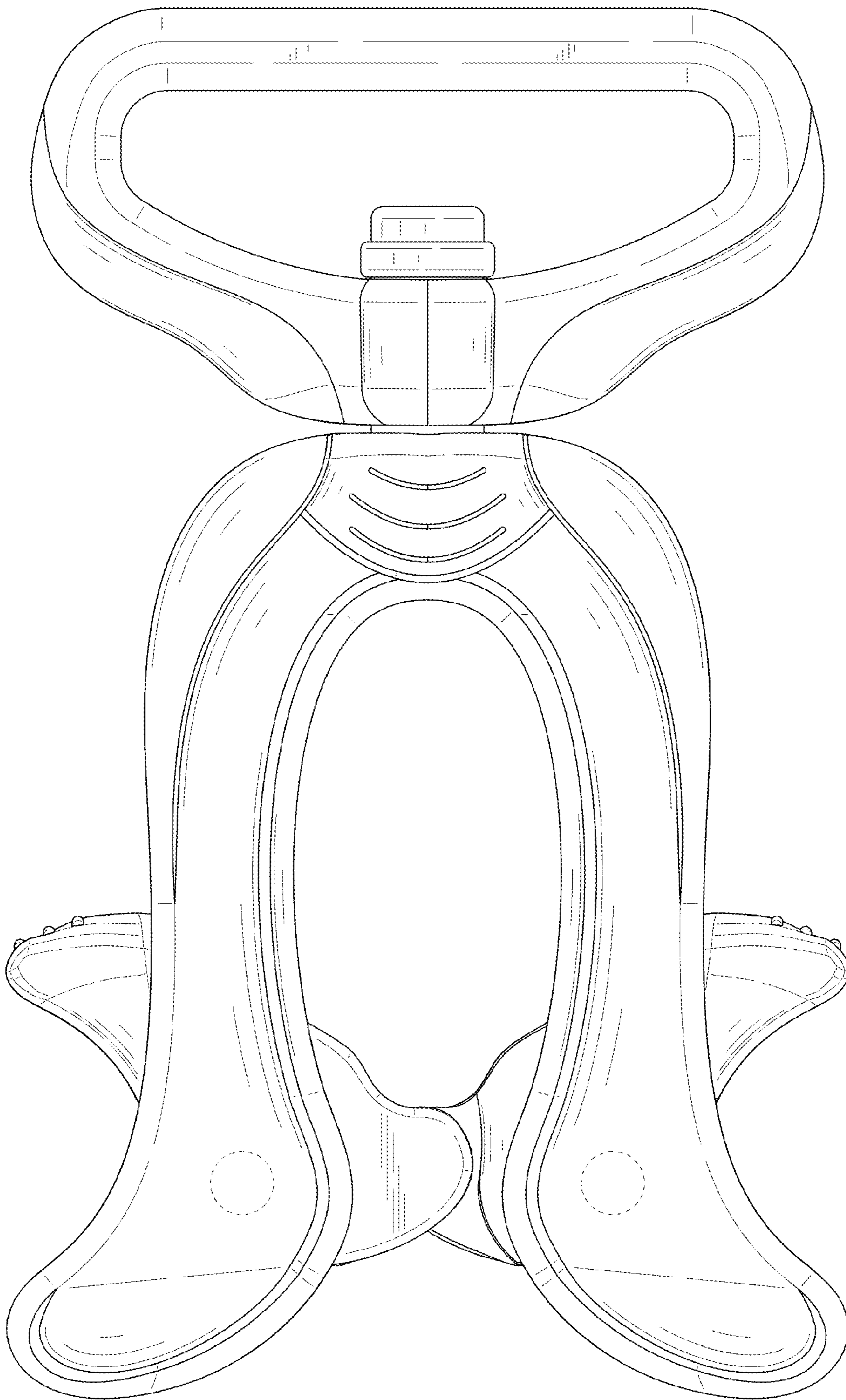


FIG. 3

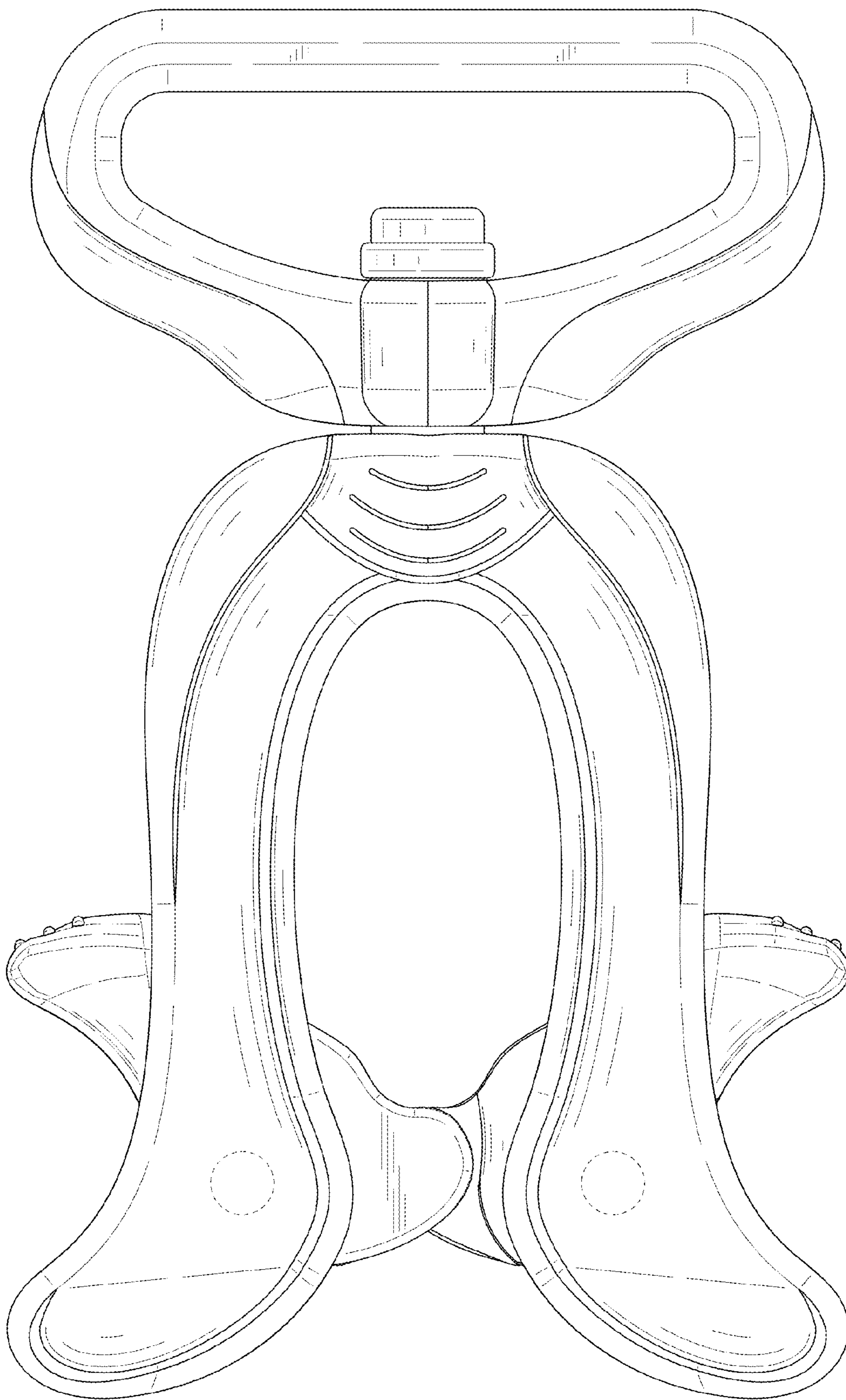


FIG. 4

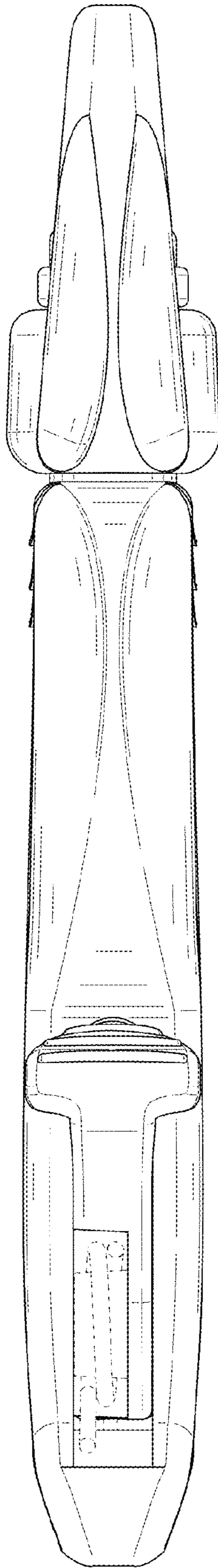


FIG. 5

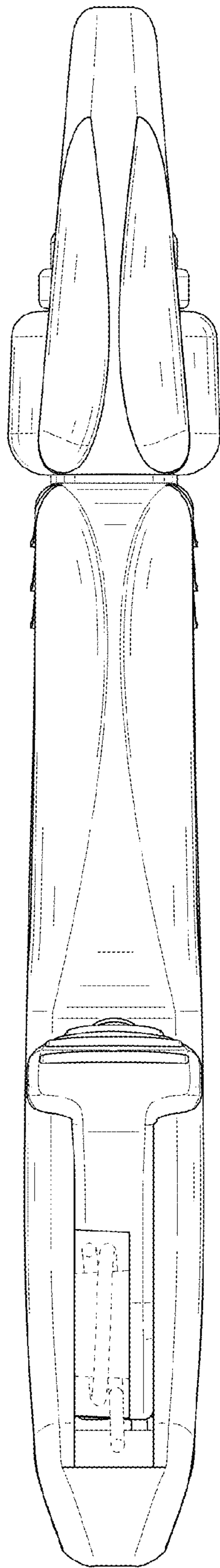


FIG. 6

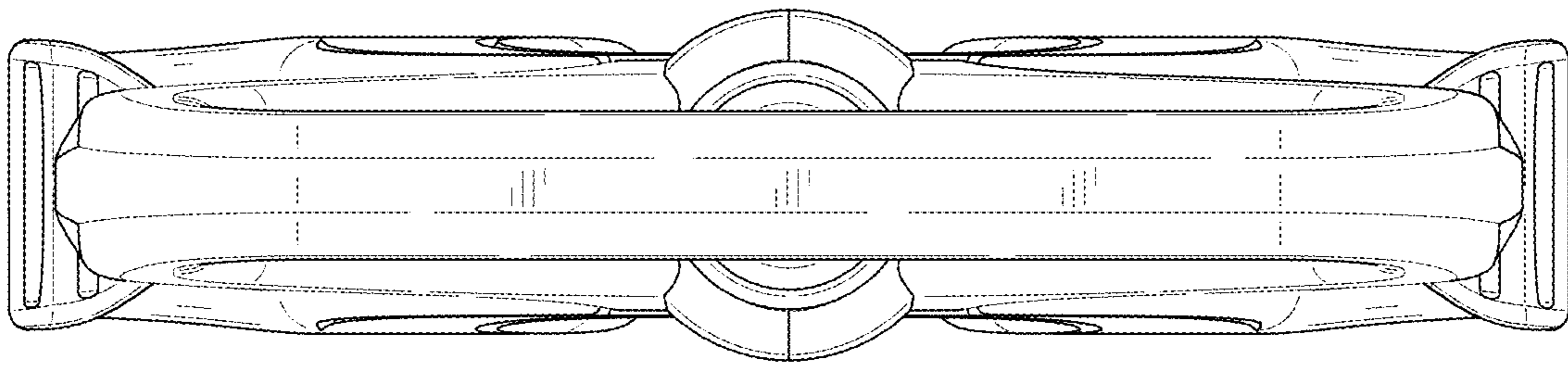


FIG. 7

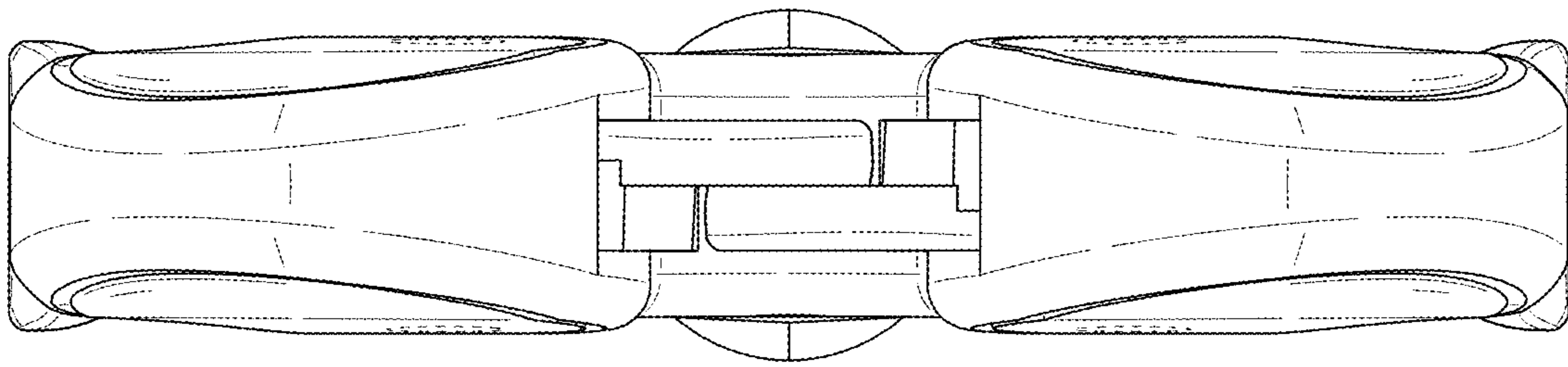


FIG. 8