



US00D988833S

(12) **United States Design Patent** (10) **Patent No.:** **US D988,833 S**
Liao (45) **Date of Patent:** **** Jun. 13, 2023**

(54) **ELECTRONIC DOOR LOCK**
(71) Applicant: **Caixia Liao**, Wuhan (CN)
(72) Inventor: **Caixia Liao**, Wuhan (CN)
(*) Notice: Patent file contains an affidavit/declaration under 37 CFR 1.130(b).

D840,214 S * 2/2019 Leites D8/353
D883,068 S * 5/2020 Guo D8/331
D902,001 S * 11/2020 Gokcebay D8/330
D902,688 S * 11/2020 Gokcebay D8/330
D906,086 S * 12/2020 Qinggui D8/331
D911,818 S * 3/2021 Lu D8/350
D911,819 S * 3/2021 Liu D8/350
2022/0356732 A1 * 11/2022 Leites E05B 9/002

(**) Term: **15 Years**
(21) Appl. No.: **29/856,947**
(22) Filed: **Oct. 18, 2022**
(51) **LOC (14) Cl.** **08-07**
(52) **U.S. Cl.**
USPC **D8/331**
(58) **Field of Classification Search**
USPC D8/330-331, 334
CPC E05B 1/00; E05B 2047/0058; E05B 9/002;
E05B 9/08
See application file for complete search history.

OTHER PUBLICATIONS

“Amazon Basics Traditional Electronic Keypad Deadbolt”, Jun. 11, 2019, Amazon.com, site visited Jan. 10, 2023: <https://www.amazon.com/AmazonBasics-Traditional-Electronic-Keypad-Deadbolt/dp/B07J4VLVPF> (Year: 2019).*
“SMONET Fingerprint Door Lock with Keypad” Jun. 9, 2020, Amazon, site visited Jan. 13, 2023: <https://www.amazon.com/dp/B089VQVMFS> (Year: 2020).*

(Continued)

Primary Examiner — Jack Reickel
Assistant Examiner — Michael A Kervin

(57) **CLAIM**

The ornamental design for an electronic door lock, as shown and described.

(56) **References Cited**

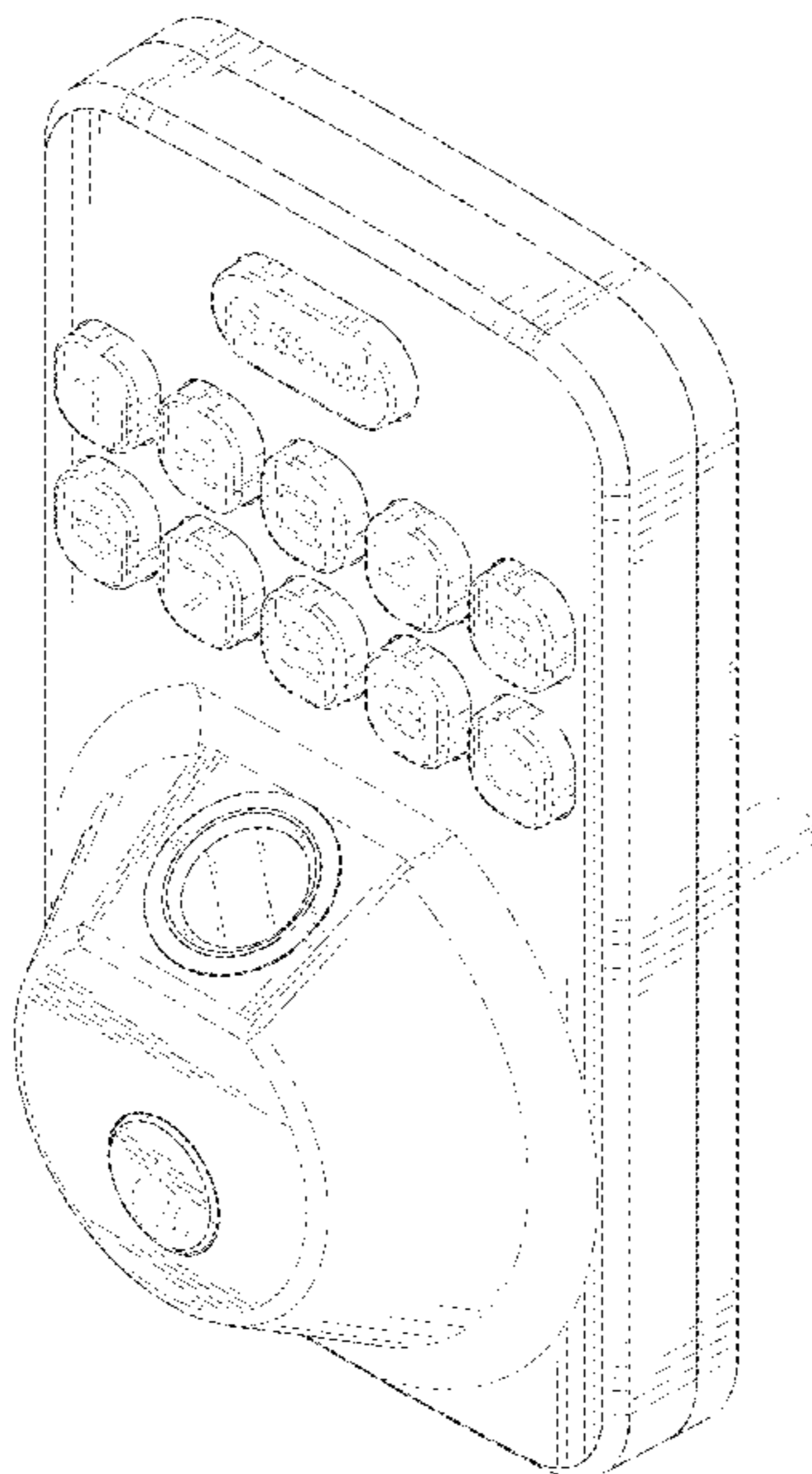
U.S. PATENT DOCUMENTS

D452,640 S * 1/2002 Gartner D8/343
D552,968 S * 10/2007 Roberts D8/350
D630,929 S * 1/2011 Downey D8/331
D682,658 S * 5/2013 Cramer D8/350
D698,222 S * 1/2014 Guo D8/330
D756,749 S * 5/2016 Lu D8/353
D783,384 S * 4/2017 Shargh D8/330
D790,320 S * 6/2017 Schneider D8/331
D791,569 S 7/2017 Chen et al.
D818,345 S * 5/2018 Morstatt D8/334
D832,675 S * 11/2018 Schneider D8/331
D833,255 S * 11/2018 Lee D8/353
D837,029 S * 1/2019 Cavanna D8/330
D837,030 S * 1/2019 Cavanna D8/330
D837,629 S * 1/2019 Cavanna D8/330
D837,630 S * 1/2019 Cavanna D8/330

DESCRIPTION

FIG. 1 is a front and top perspective view of an electronic door lock, showing my new design;
FIG. 2 is a rear and bottom perspective view thereof;
FIG. 3 is a front elevation view thereof;
FIG. 4 is a rear elevation view thereof;
FIG. 5 is a left side elevation view thereof;
FIG. 6 is a right side elevation view thereof;
FIG. 7 is a top plan view thereof; and,
FIG. 8 is a bottom plan view thereof.
The broken lines in the figures illustrate portions of the electronic door lock that form no part of the claimed design.

1 Claim, 8 Drawing Sheets



(56)

References Cited

OTHER PUBLICATIONS

“LaView Door Lock with Keypad”, Apr. 27, 2021, Amazon.com, site visited Jan. 10, 2023: <https://www.amazon.com/dp/B093KZ2CT8> (Year: 2021).*

“iMagic Keypad Deadbolt”, Aug. 10, 2021, Amazon.com, site visited Jan. 10, 2023: <https://www.amazon.com/dp/B09C7ZK2CS> (Year: 2021).*

“Fingerprint Door Lock—Teeho TE002 Keyless Entry Door Lock Deadbolt” Feb. 21, 2022, Amazon, site visited Jan. 13, 2023: <https://www.amazon.com/Fingerprint-Door-Lock-Combination-Installation/dp/B09QPMVMMR> (Year: 2022).*

“Veise Keyless Entry Door Lock” Jul. 12, 2022, Amazon, site visited Jan. 13, 2023: <https://www.amazon.com/dp/B0B2DJCTBP> (Year: 2022).*

“Zowill Fingerprint Door Lock”, Aug. 15, 2022, Amazon.com, site visited Jan. 10, 2023: <https://www.amazon.com/dp/B0B9NB1W89> (Year: 2022).*

* cited by examiner

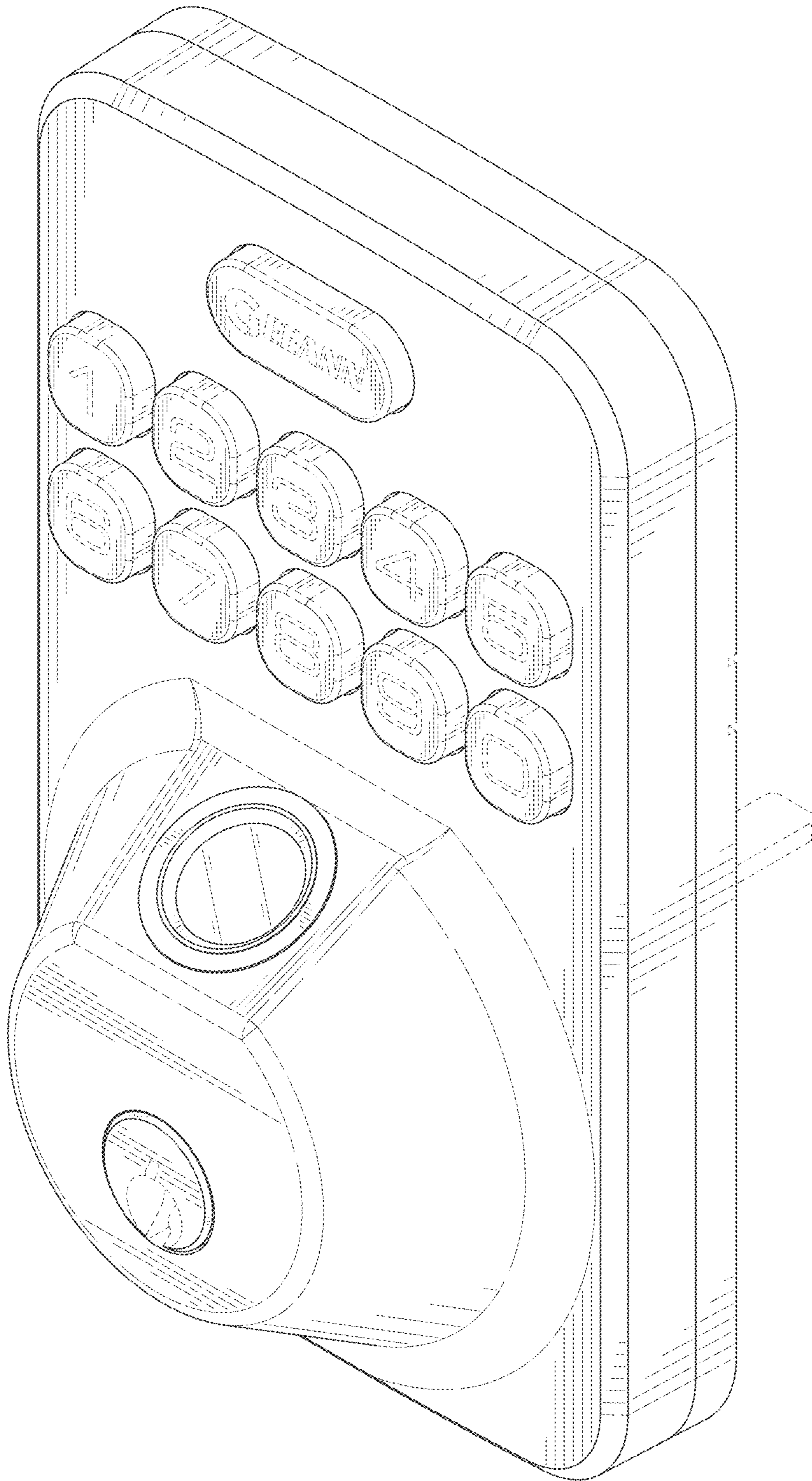


FIG. 1

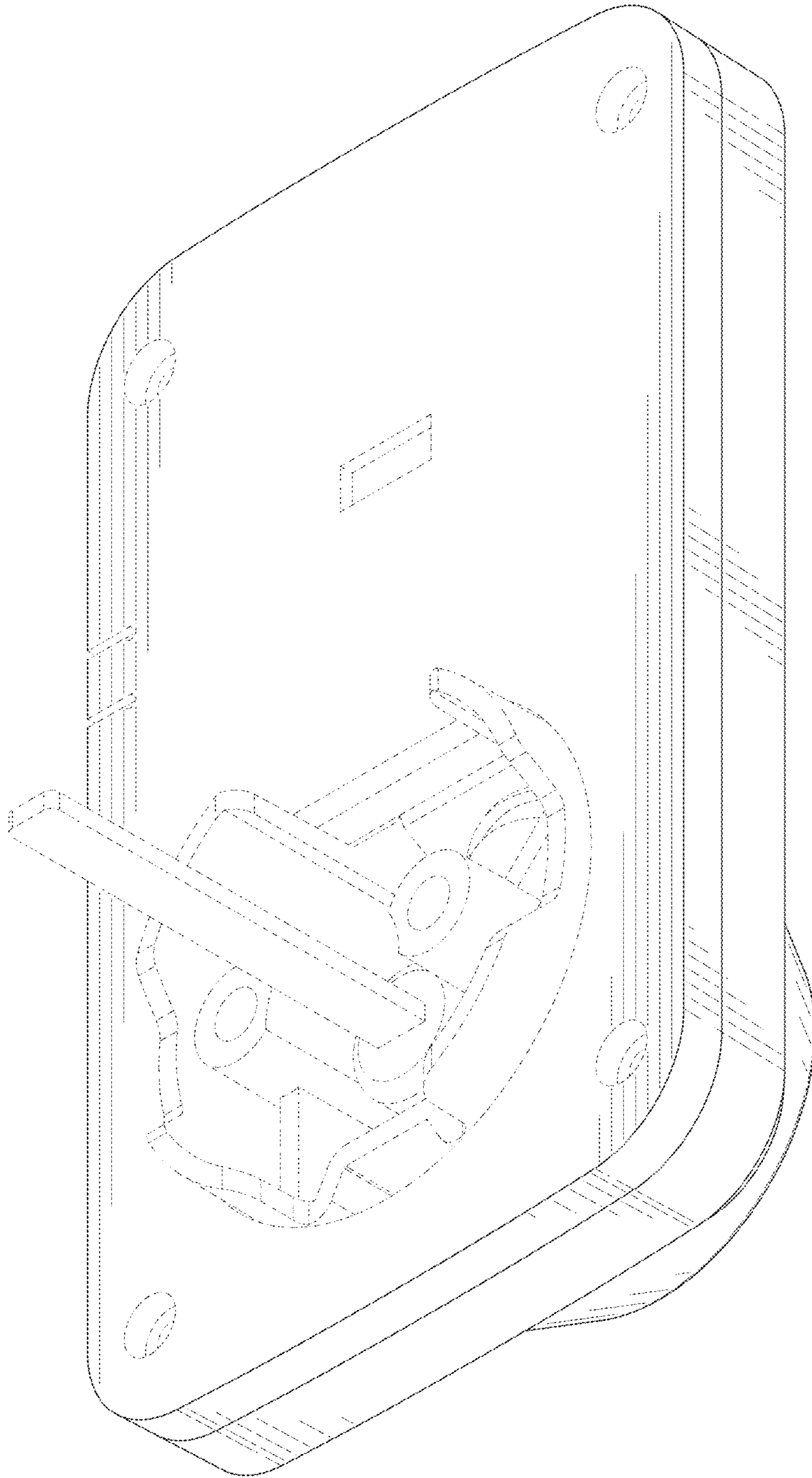


FIG. 2

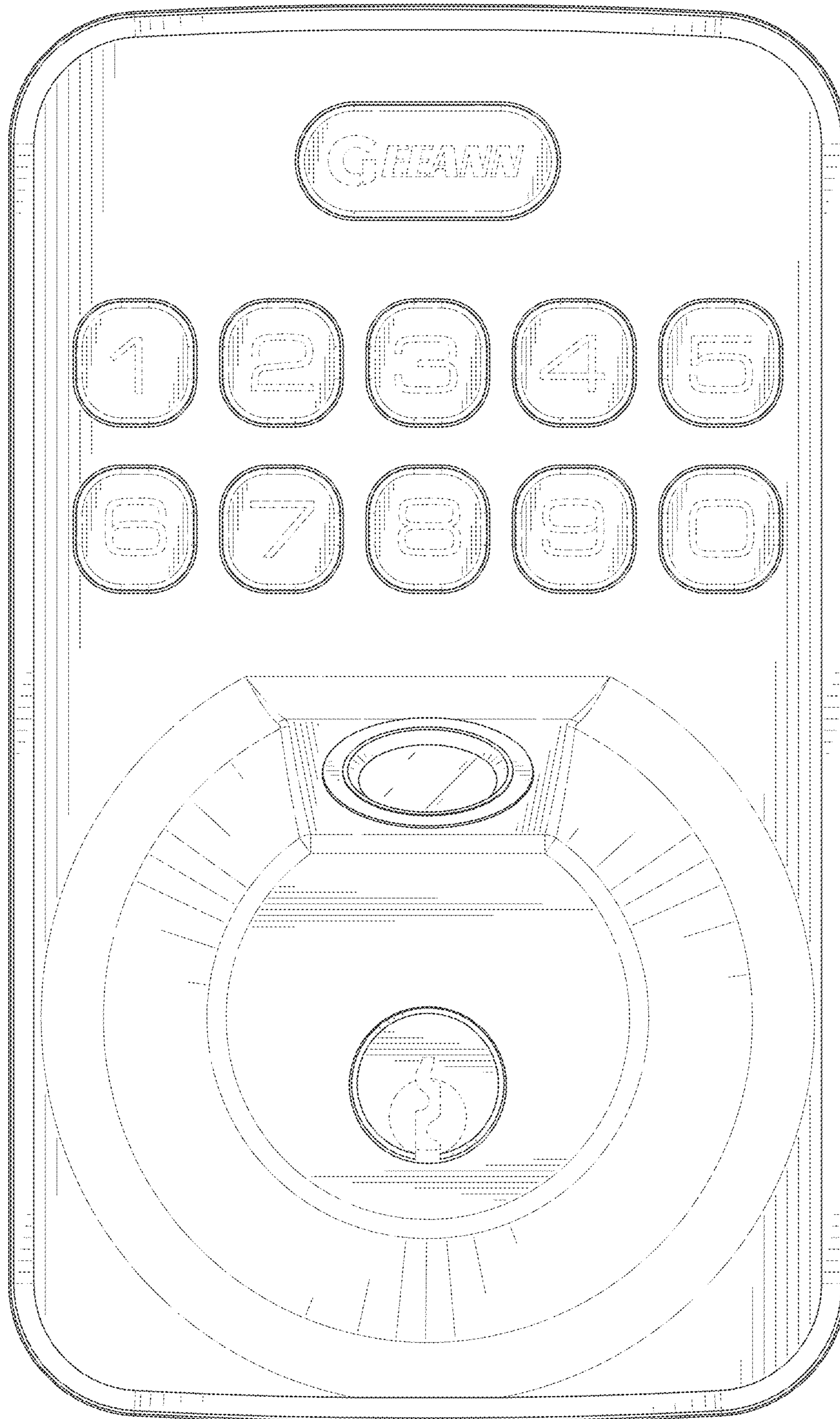


FIG. 3

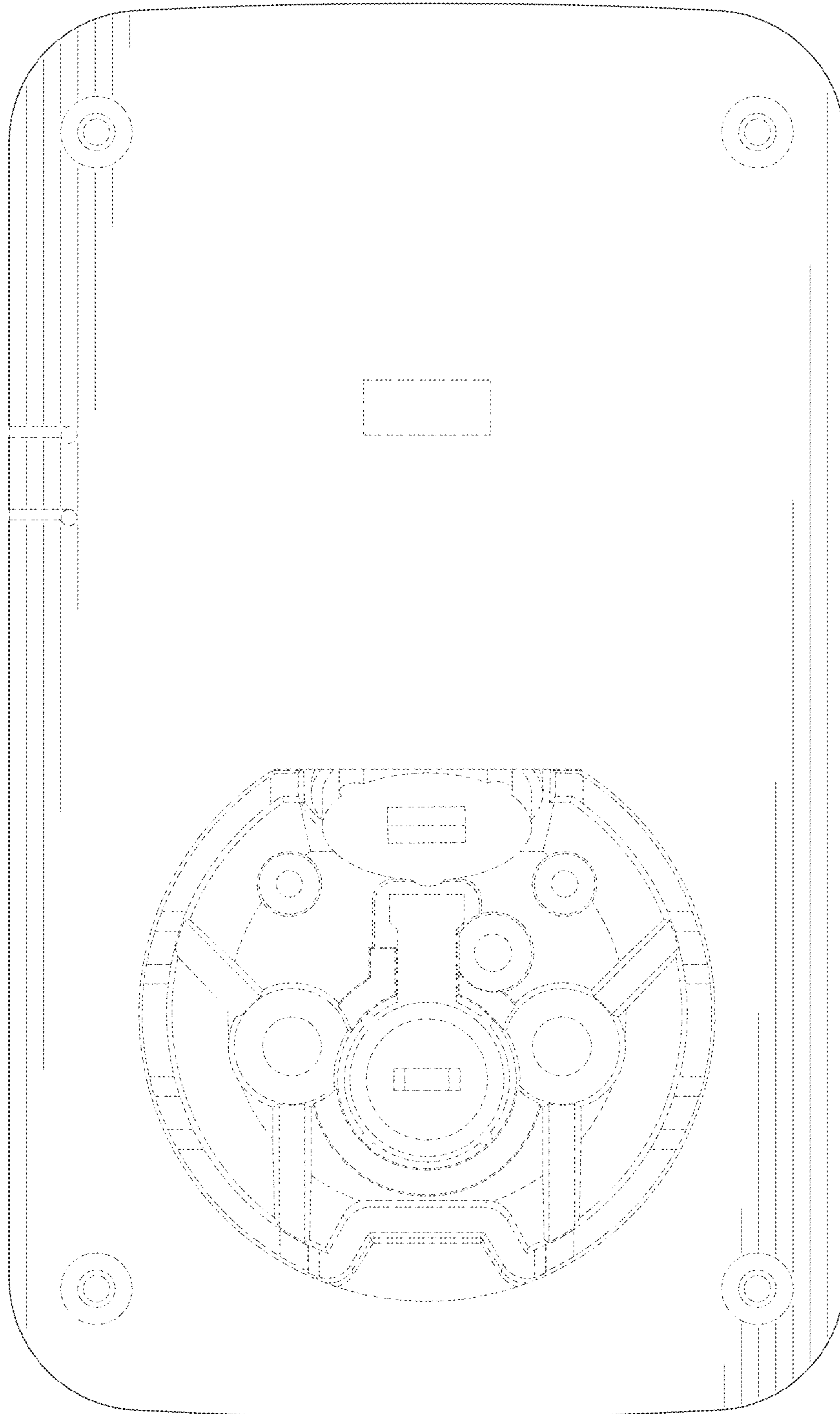


FIG. 4

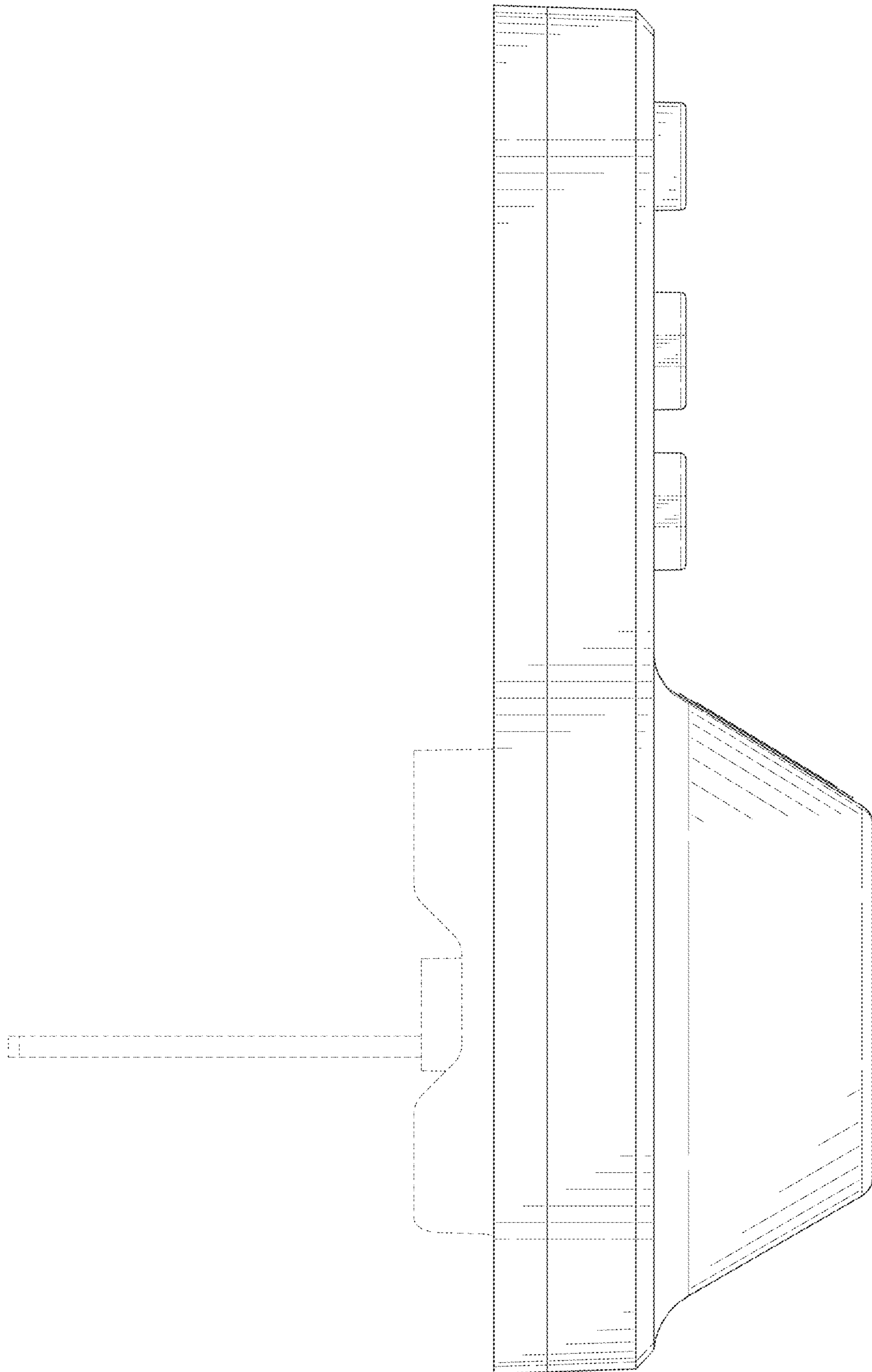


FIG. 5

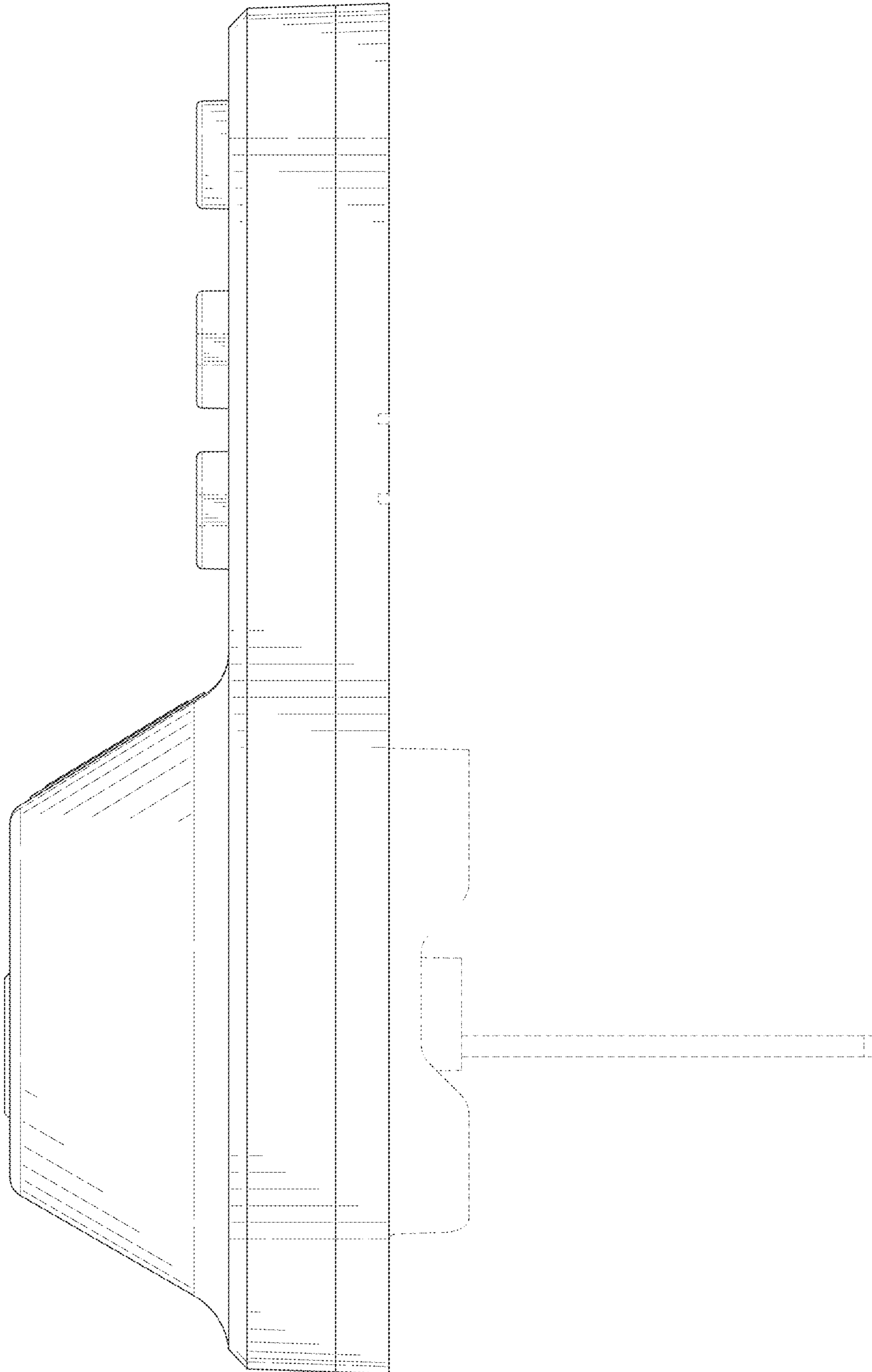


FIG. 6

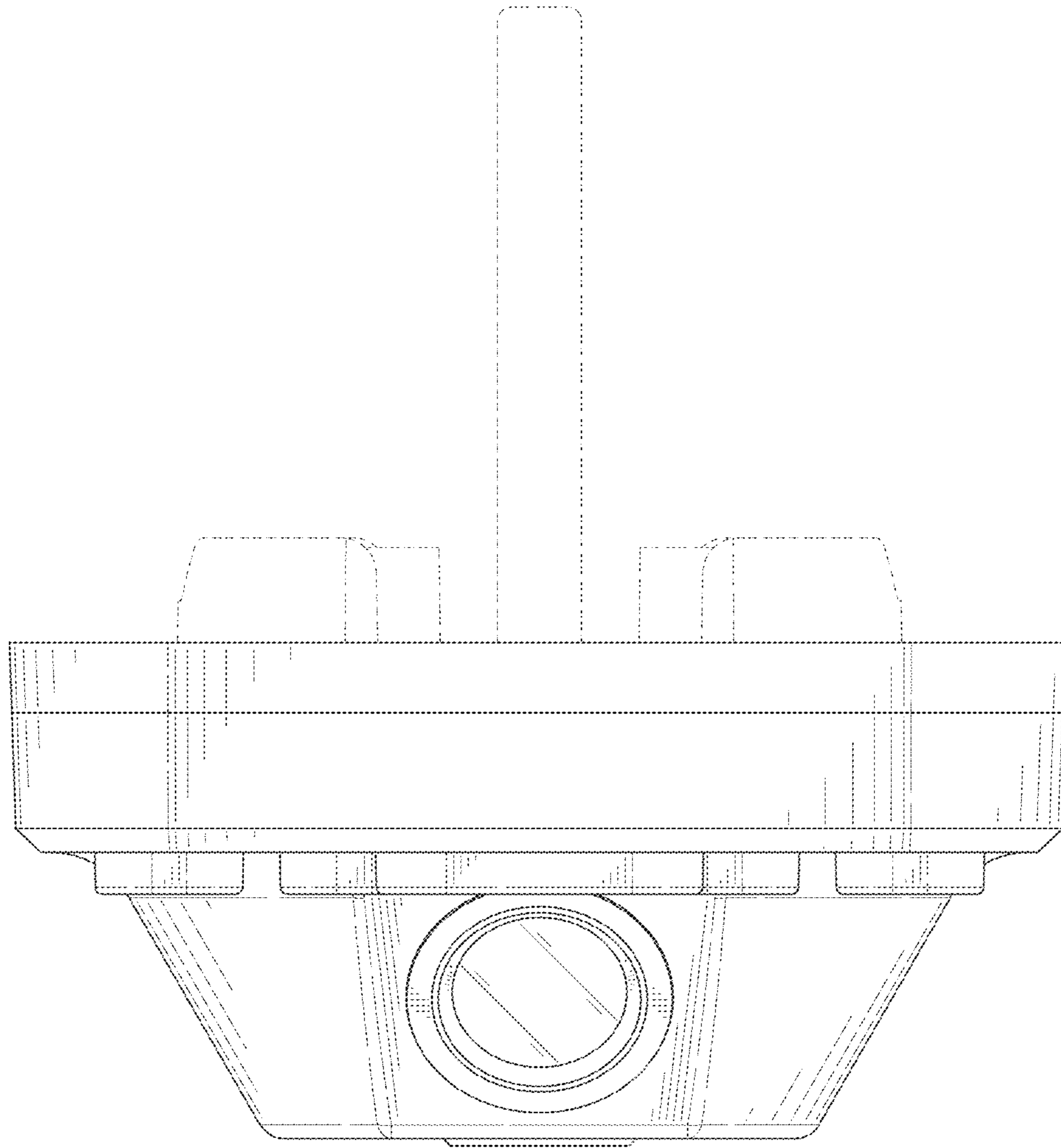


FIG. 7

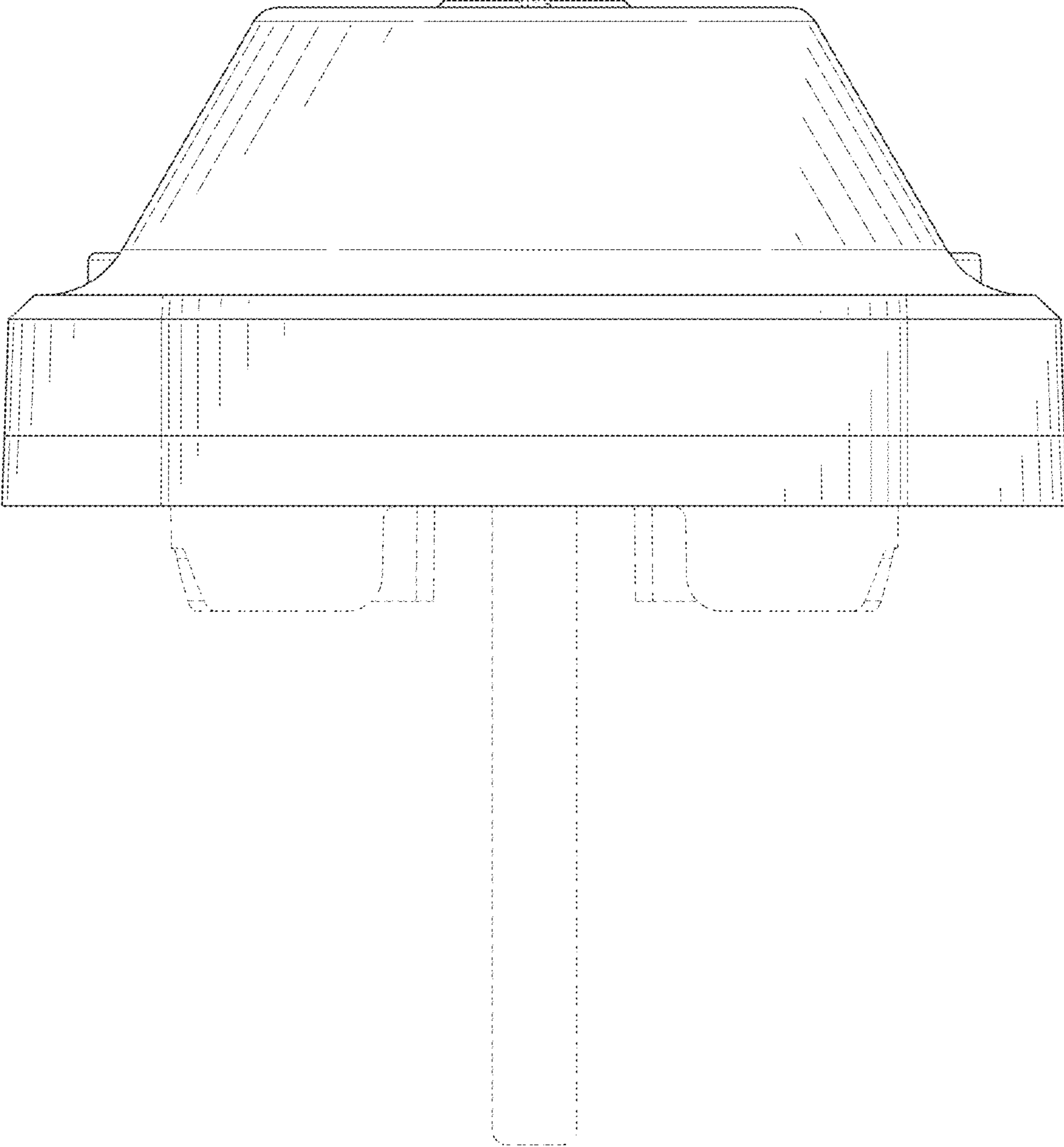


FIG. 8