



US00D988832S

(12) **United States Design Patent**
Olson et al.

(10) **Patent No.:** **US D988,832 S**

(45) **Date of Patent:** **** Jun. 13, 2023**

(54) **CABINET HANDLE**

(71) Applicant: **Belwith Products, LLC**, Grandville, MI (US)

(72) Inventors: **Taylor Joan Olson**, Grand Rapids, MI (US); **Lisa Kay Koskela**, Grand Rapids, MI (US)

(73) Assignee: **Belwith Products, LLC**, Grandville, MI (US)

(**) Term: **15 Years**

(21) Appl. No.: **29/769,265**

(22) Filed: **Feb. 4, 2021**

(51) **LOC (14) Cl.** **08-06**

(52) **U.S. Cl.**
USPC **D8/317**

(58) **Field of Classification Search**
USPC D8/315–316, 319–322
CPC A47B 95/02; Y10T 16/458; Y10T 16/462
See application file for complete search history.

(56) **References Cited**

U.S. PATENT DOCUMENTS

D372,659 S *	8/1996	De'Armond	D8/317
D399,406 S *	10/1998	Decursu	D8/317
D403,230 S *	12/1998	Ziemer	D8/317
D552,957 S *	10/2007	Krumpe	D8/316
D560,111 S *	1/2008	Ricereto	D8/316
D563,196 S *	3/2008	Ricereto	D8/315
D574,218 S *	8/2008	Jou	D8/317
D587,982 S *	3/2009	Mattson	D8/317
D661,972 S *	6/2012	Han	D8/316
D664,022 S *	7/2012	Gilbert	D8/316

D833,252 S *	11/2018	Lowe	D8/316
D848,240 S *	5/2019	Higgs	D8/315
D878,900 S *	3/2020	Warmenhoven	D8/316
D968,193 S *	11/2022	Habbouch	D8/316

OTHER PUBLICATIONS

“Amerock BP27024WN Porter Pull”, Nov. 8, 2006, Amazon.com, site visited Nov. 29, 2022: <https://www.amazon.com/dp/B000KF4B2S> (Year: 2006).*

“SAF NDYTDS 6Pack Oval Bronze Drawer Pulls”, Sep. 20, 2020, Amazon.com, site visited Nov. 29, 2022: <https://www.amazon.com/Kitchen-Cabinet-Handles-Bathroom-Hardware/dp/B08JLC22D4> (Year: 2020).*

“Anders Collection—Belwith Keeler”, Jan. 19, 2021, YouTube.com, site visited Nov. 29, 2022: <https://www.youtube.com/watch?v=qD6l4hUyF54> (Year: 2021).*

* cited by examiner

Primary Examiner — Jack Reickel

Assistant Examiner — Michael A Kervin

(74) *Attorney, Agent, or Firm* — Vangelis Economou; Economou IP Law

(57) **CLAIM**

The ornamental design for a cabinet handle, as shown and described.

DESCRIPTION

FIG. 1 is a perspective view of the cabinet handle showing my new design;

FIG. 2 is a reduced front elevational view thereof;

FIG. 3 is a back elevational view thereof;

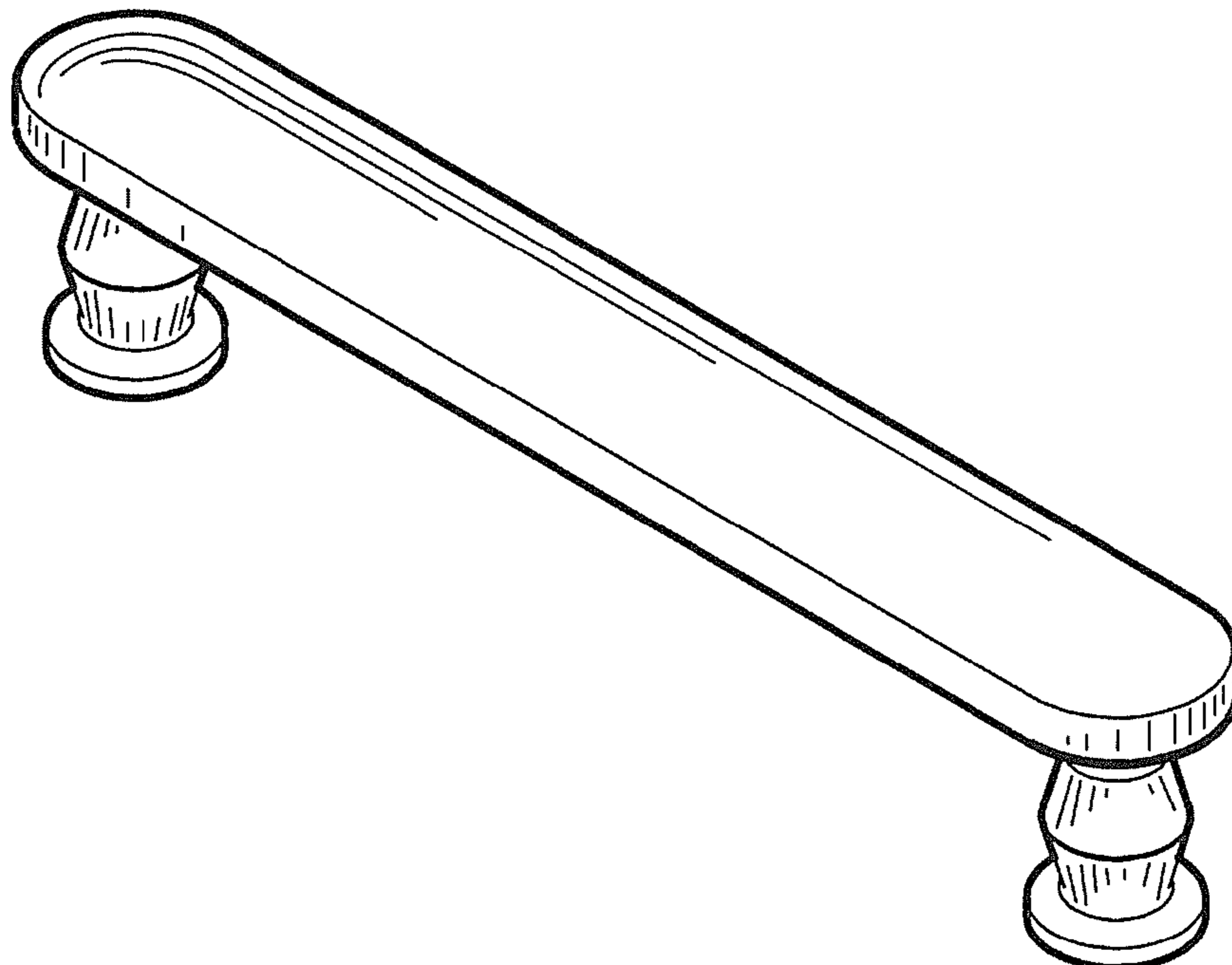
FIG. 4 is a right side view thereof;

FIG. 5 is a left side view thereof;

FIG. 6 is a top view thereof; and,

FIG. 7 is a bottom view thereof.

1 Claim, 2 Drawing Sheets



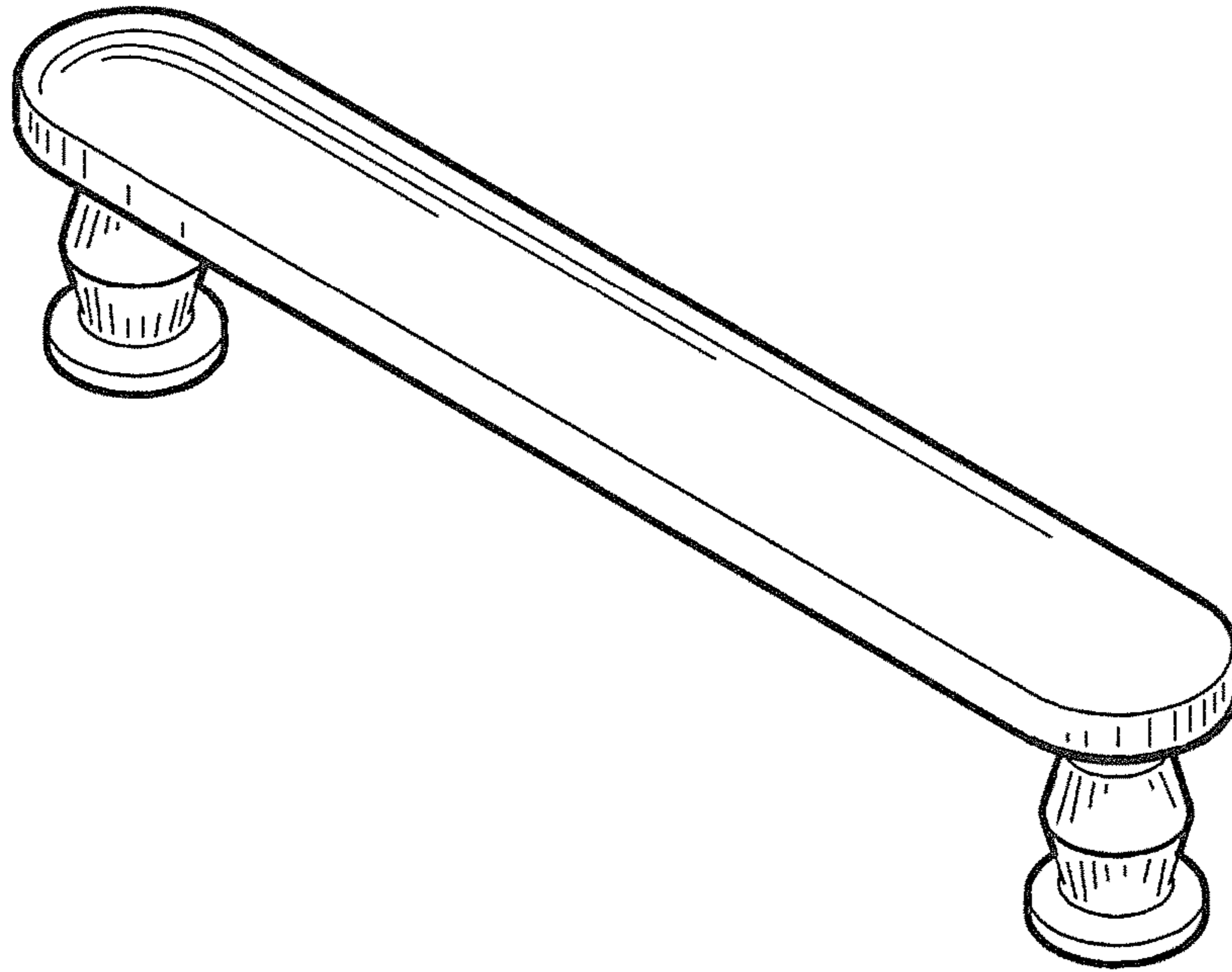


FIG. 1

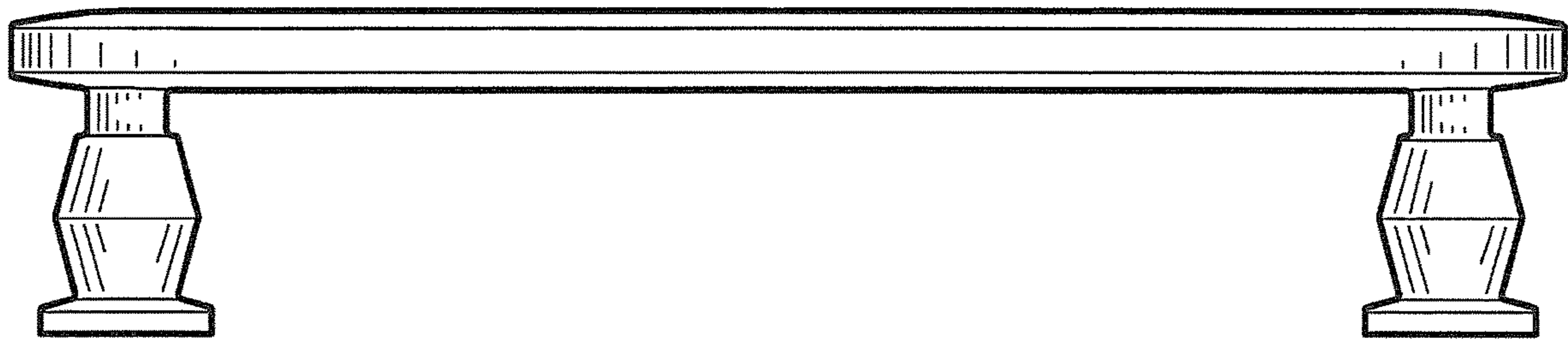


FIG. 2

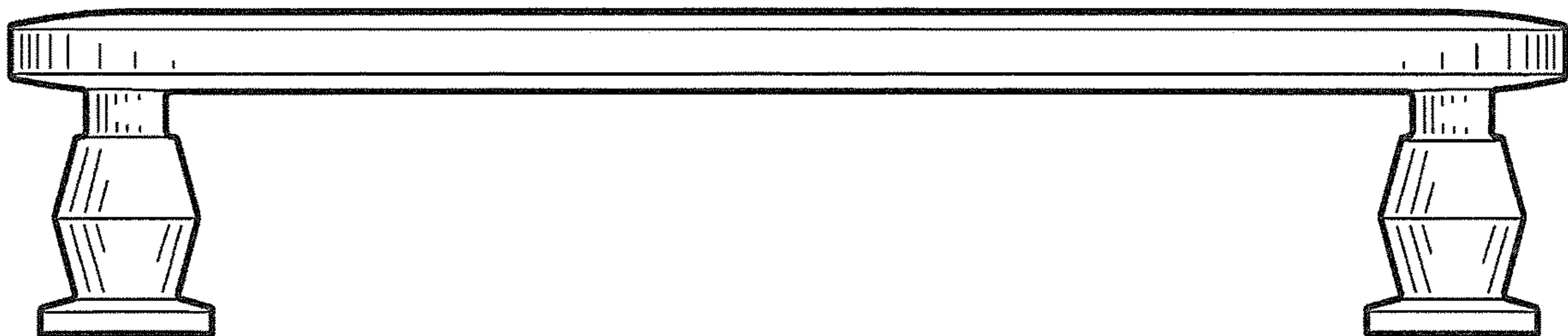


FIG. 3

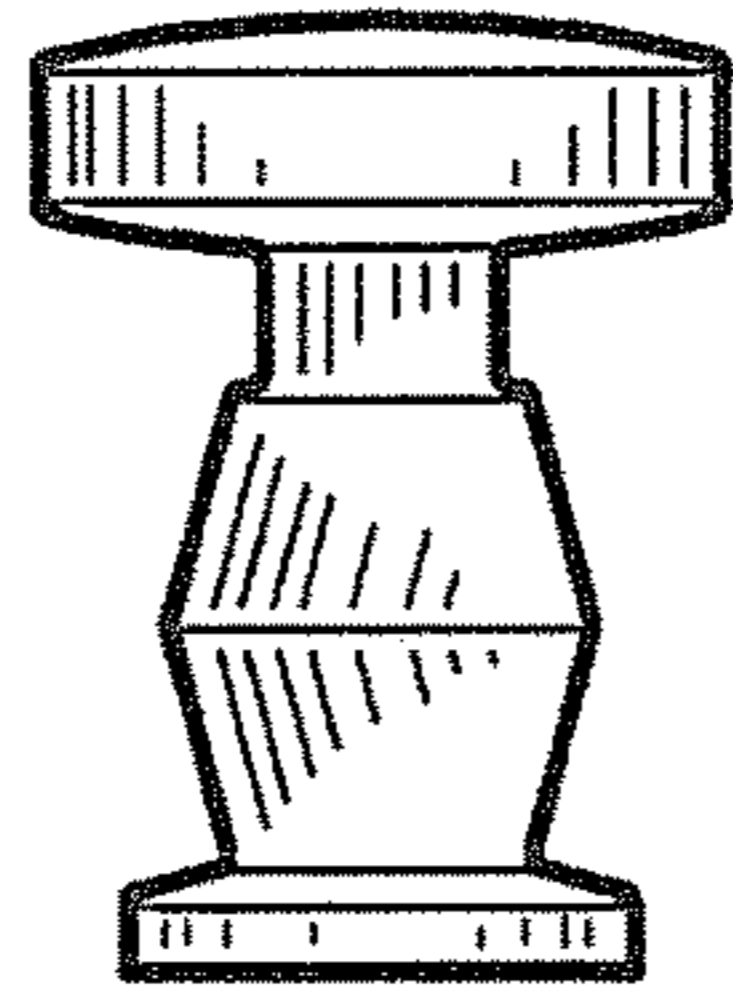


FIG. 4

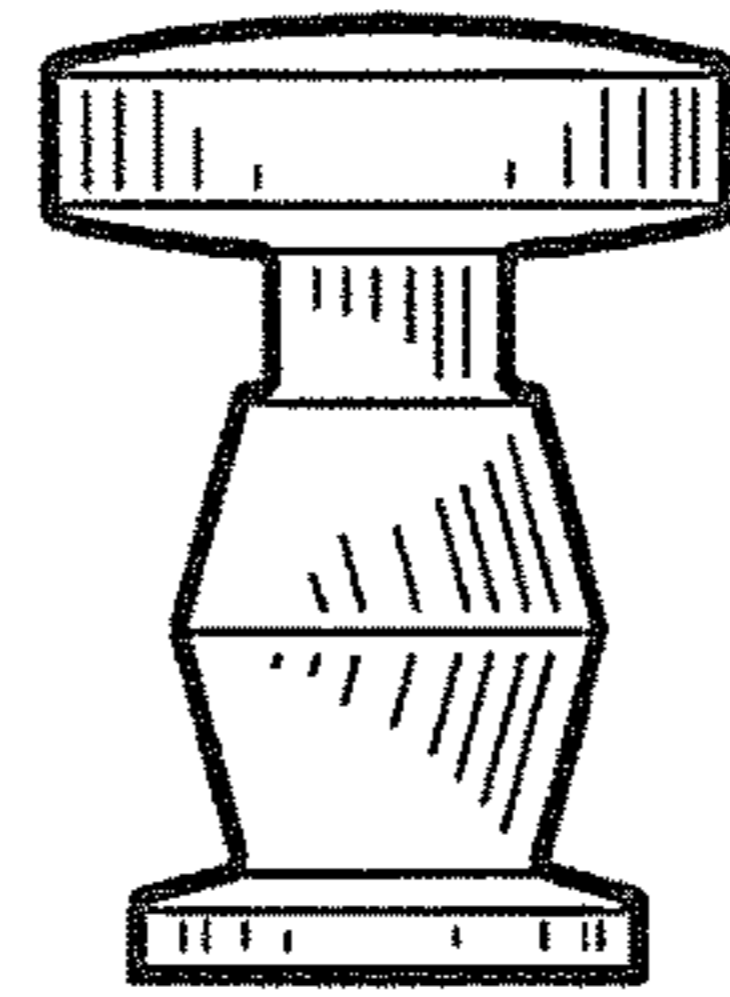


FIG. 5

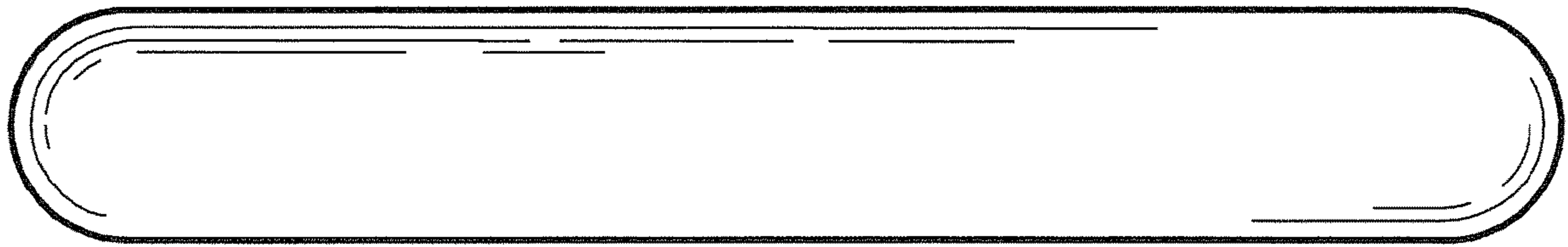


FIG. 6



FIG. 7