



US00D988831S

(12) **United States Design Patent**  
**Mikkelsen**

(10) **Patent No.: US D988,831 S**

(45) **Date of Patent: \*\* Jun. 13, 2023**

(54) **SCREW JIG**

(71) Applicant: **Lars Mikkelsen**, Horsens (DK)

(72) Inventor: **Lars Mikkelsen**, Horsens (DK)

(\*\*) Term: **15 Years**

(21) Appl. No.: **29/805,183**

(22) Filed: **Aug. 25, 2021**

(51) **LOC (14) Cl. .... 08-05**

(52) **U.S. Cl.**  
USPC ..... **D8/71**

(58) **Field of Classification Search**  
USPC ..... D8/14, 51, 70, 71, 107  
CPC ..... E04F 21/22; E04F 21/0092; B25B 23/00;  
B25B 23/08; B25B 23/002; B25B 23/005  
See application file for complete search history.

(56) **References Cited**

**U.S. PATENT DOCUMENTS**

D613,593 S *	4/2010	King	.....	D8/382
D632,164 S *	2/2011	Lappin	.....	E04F 21/22
				D8/382
8,793,889 B2 *	8/2014	Hovren	.....	B25B 23/08
				33/526
8,881,419 B2 *	11/2014	Madrack	.....	E04F 21/22
				33/645

9,751,197 B2 *	9/2017	Vandenberg	.....	F16B 25/103
D843,806 S *	3/2019	Brigham	.....	B25B 15/001
				D8/71
2010/0083610 A1 *	4/2010	King	.....	B25B 15/001
				52/749.1
2014/0223755 A1 *	8/2014	Madrack	.....	E04F 21/0092
				33/645
2022/0072687 A1 *	3/2022	Friis	.....	B25B 5/145

\* cited by examiner

*Primary Examiner* — Philip S Hyder

(74) *Attorney, Agent, or Firm* — Hauptman Ham, LLP

(57) **CLAIM**

The ornamental design for a screw jig, as shown.

**DESCRIPTION**

FIG. 1 is a left side view of a screw jig showing my new design;

FIG. 2 is a right side view thereof;

FIG. 3 is a top view thereof;

FIG. 4 is a bottom view thereof;

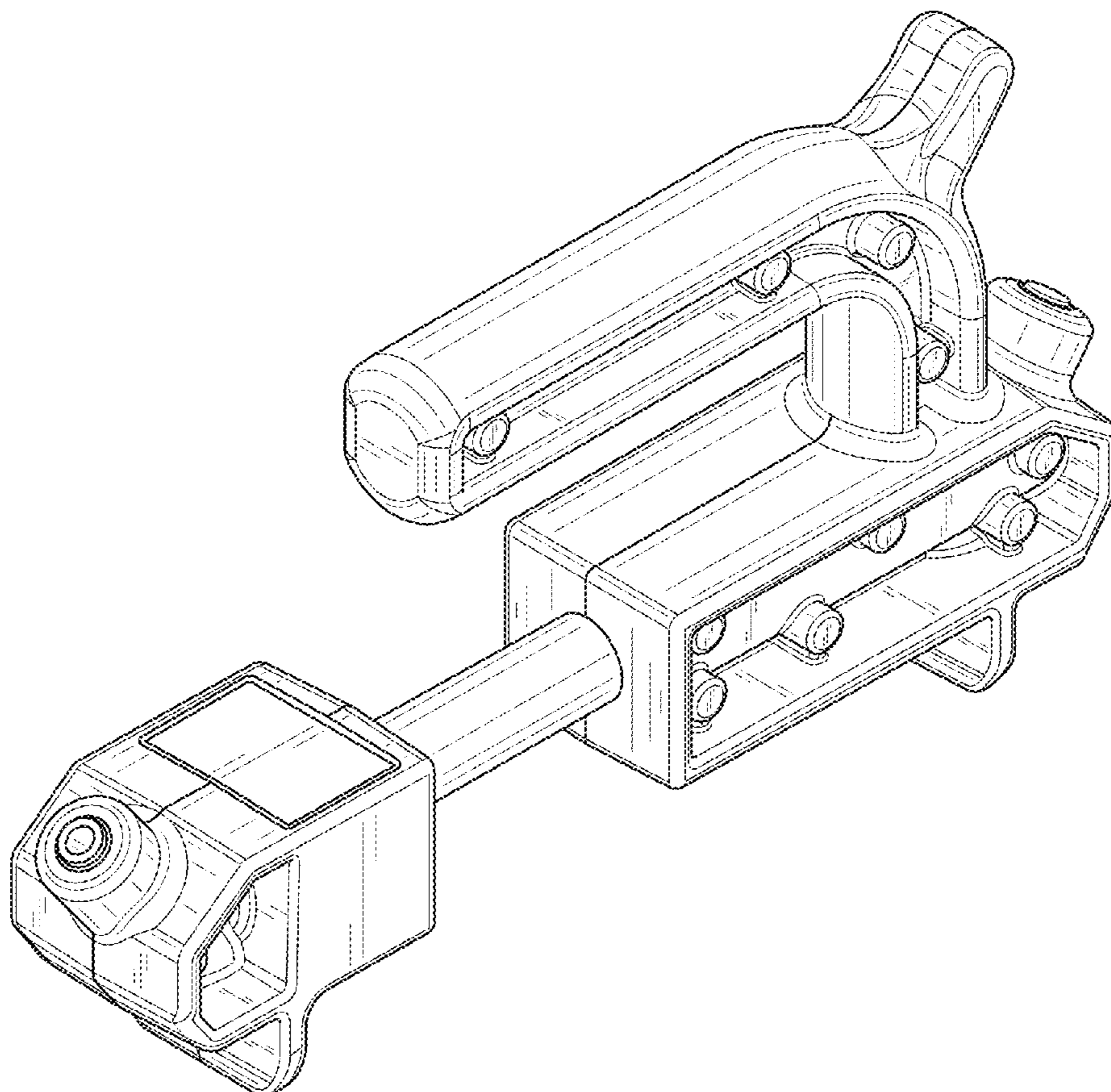
FIG. 5 is a rear view thereof;

FIG. 6 is a front view thereof;

FIG. 7 is a rear, top, left perspective view thereof; and,

FIG. 8 is a front, top, right perspective view thereof.

**1 Claim, 7 Drawing Sheets**



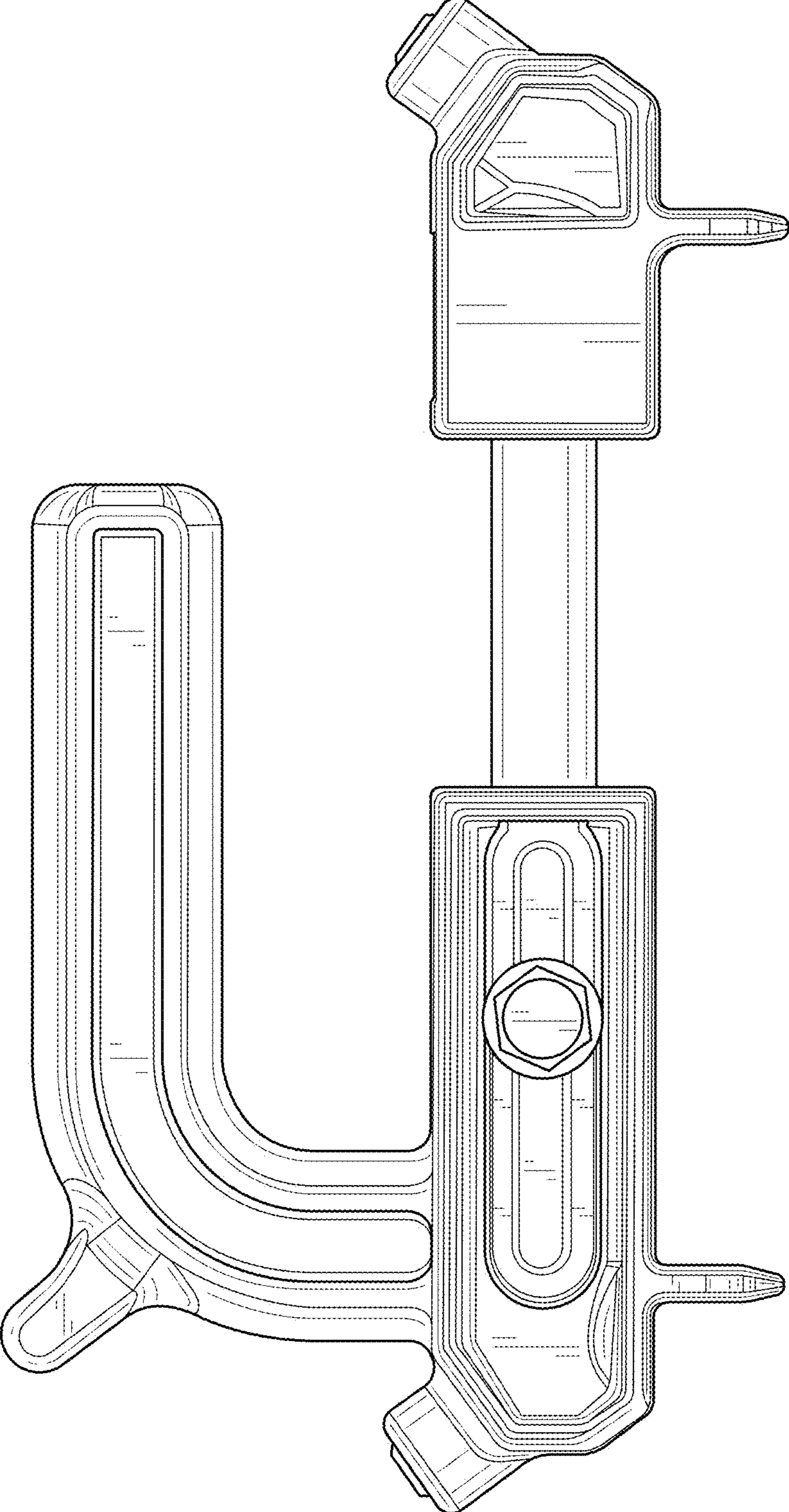


FIG. 1

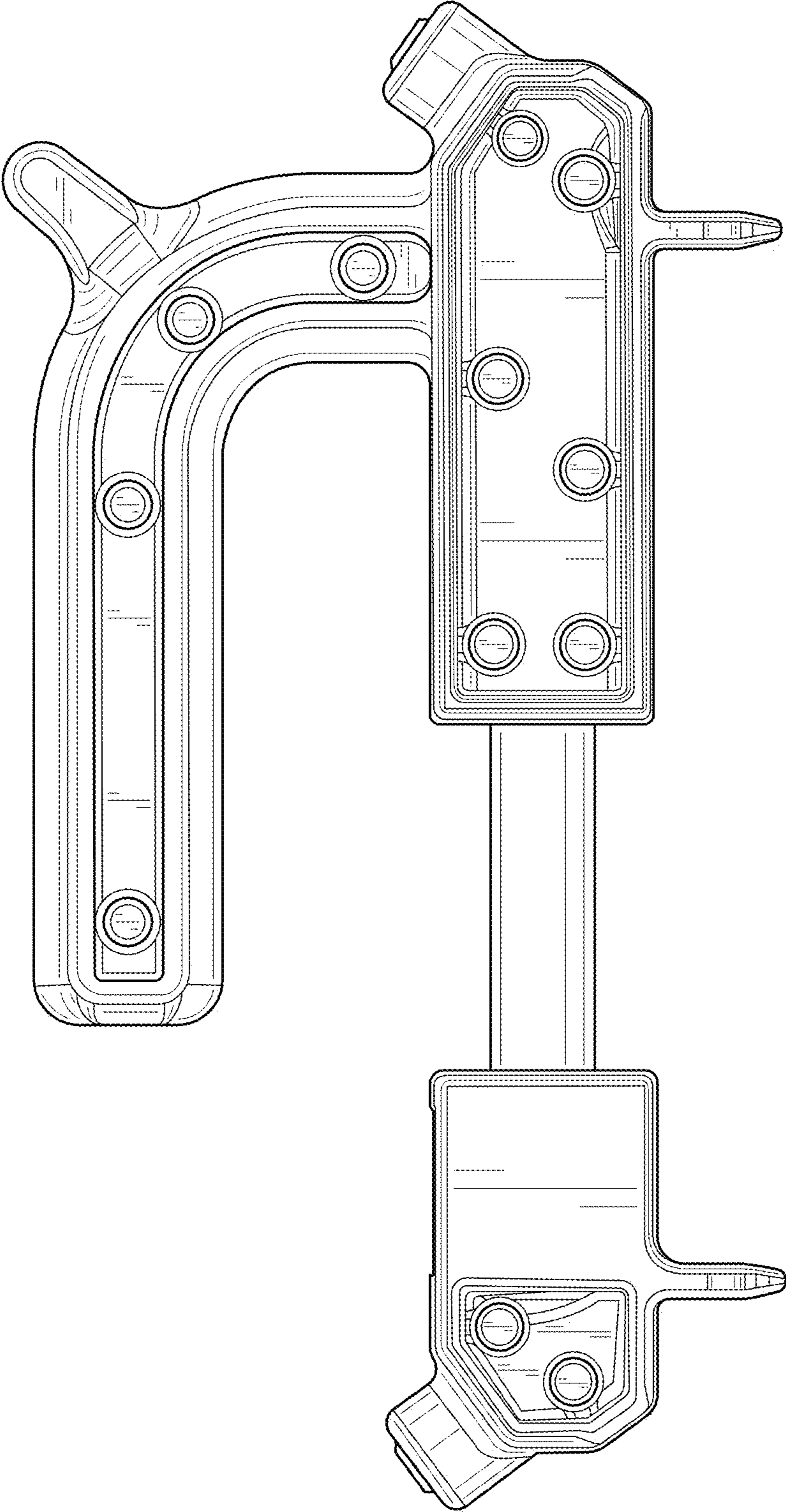


FIG. 2

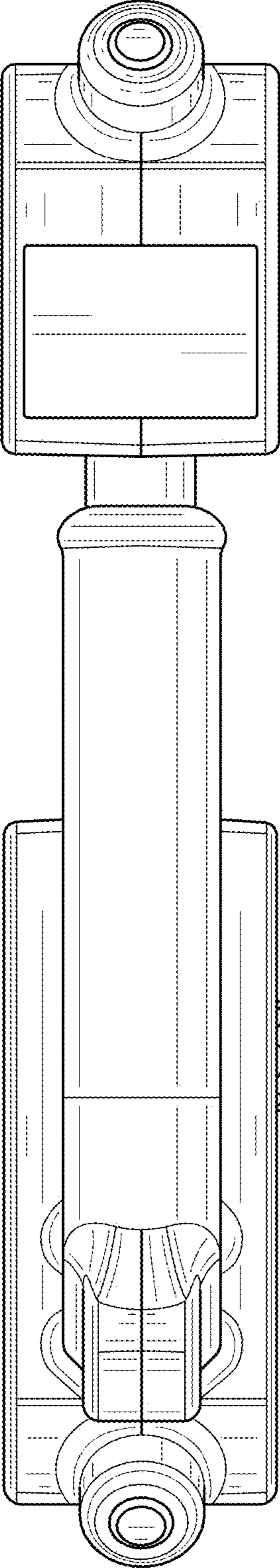


FIG. 3

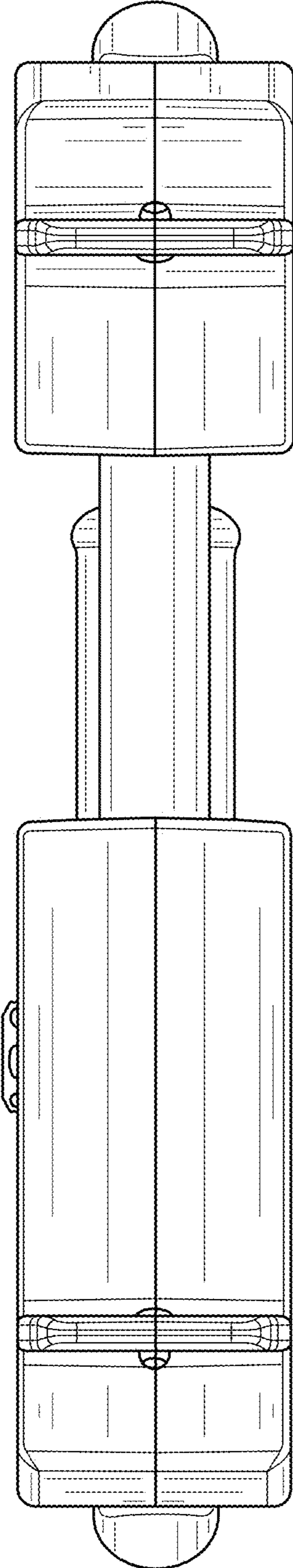


FIG. 4

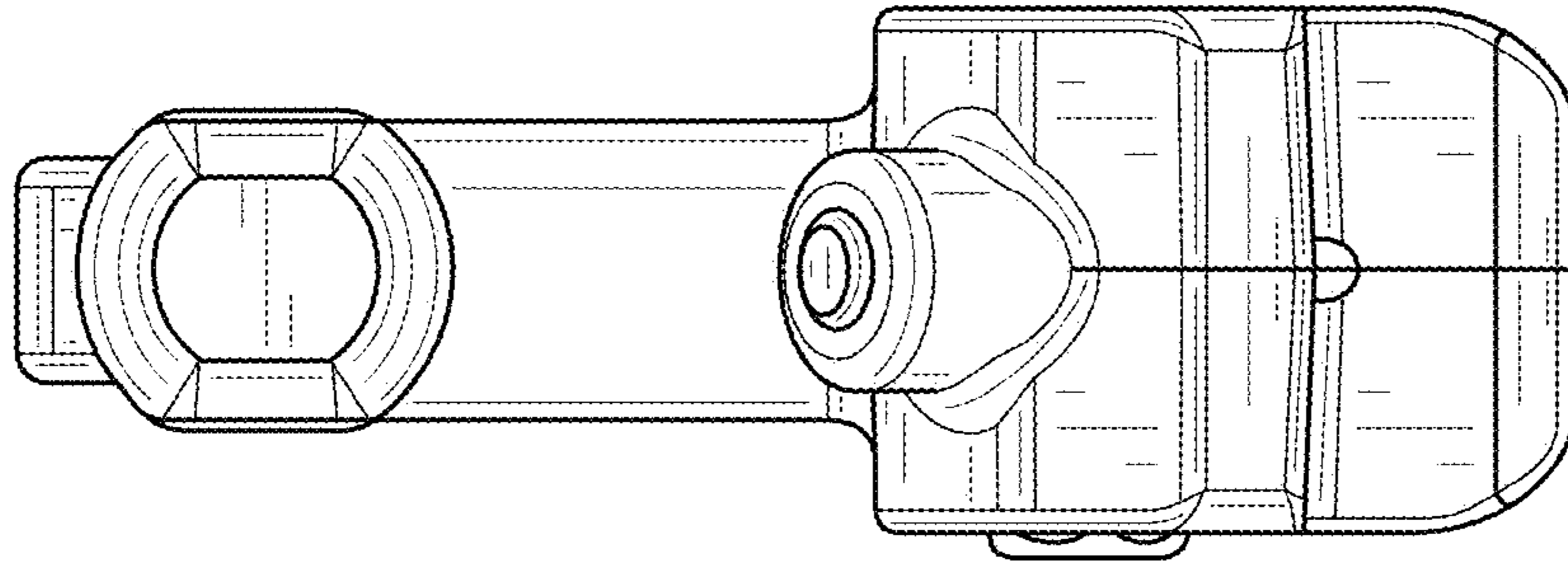


FIG. 6

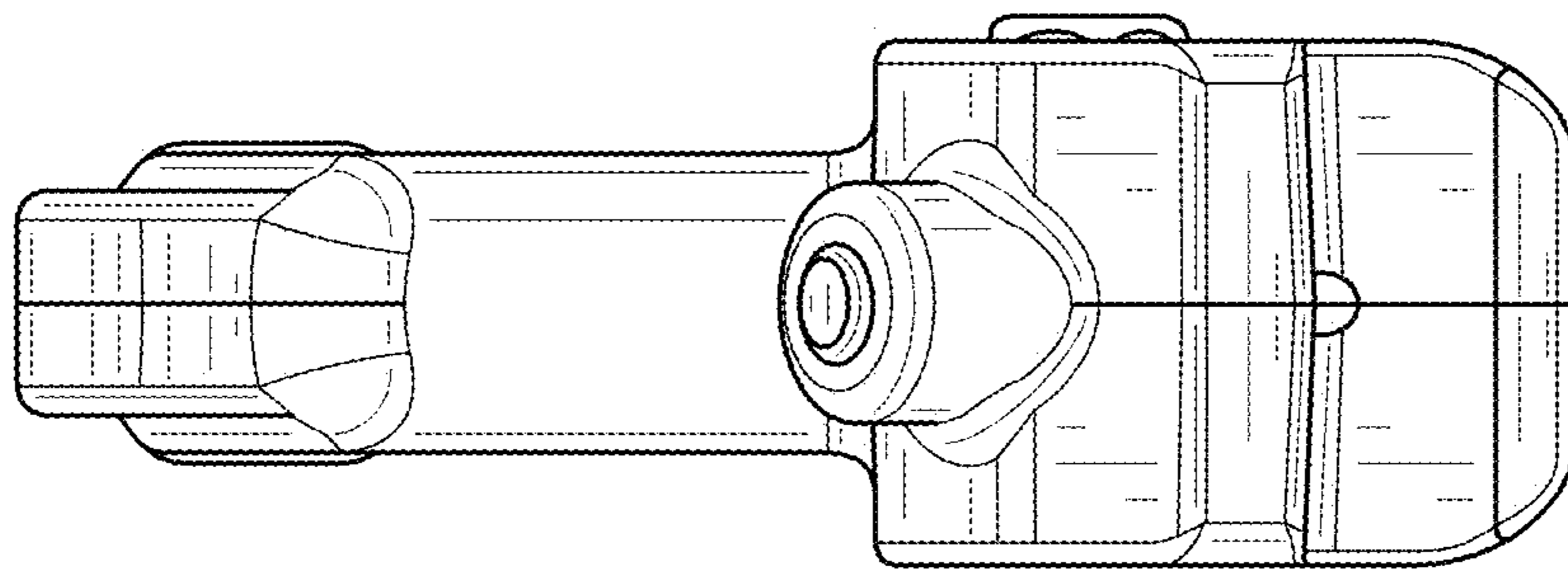


FIG. 5

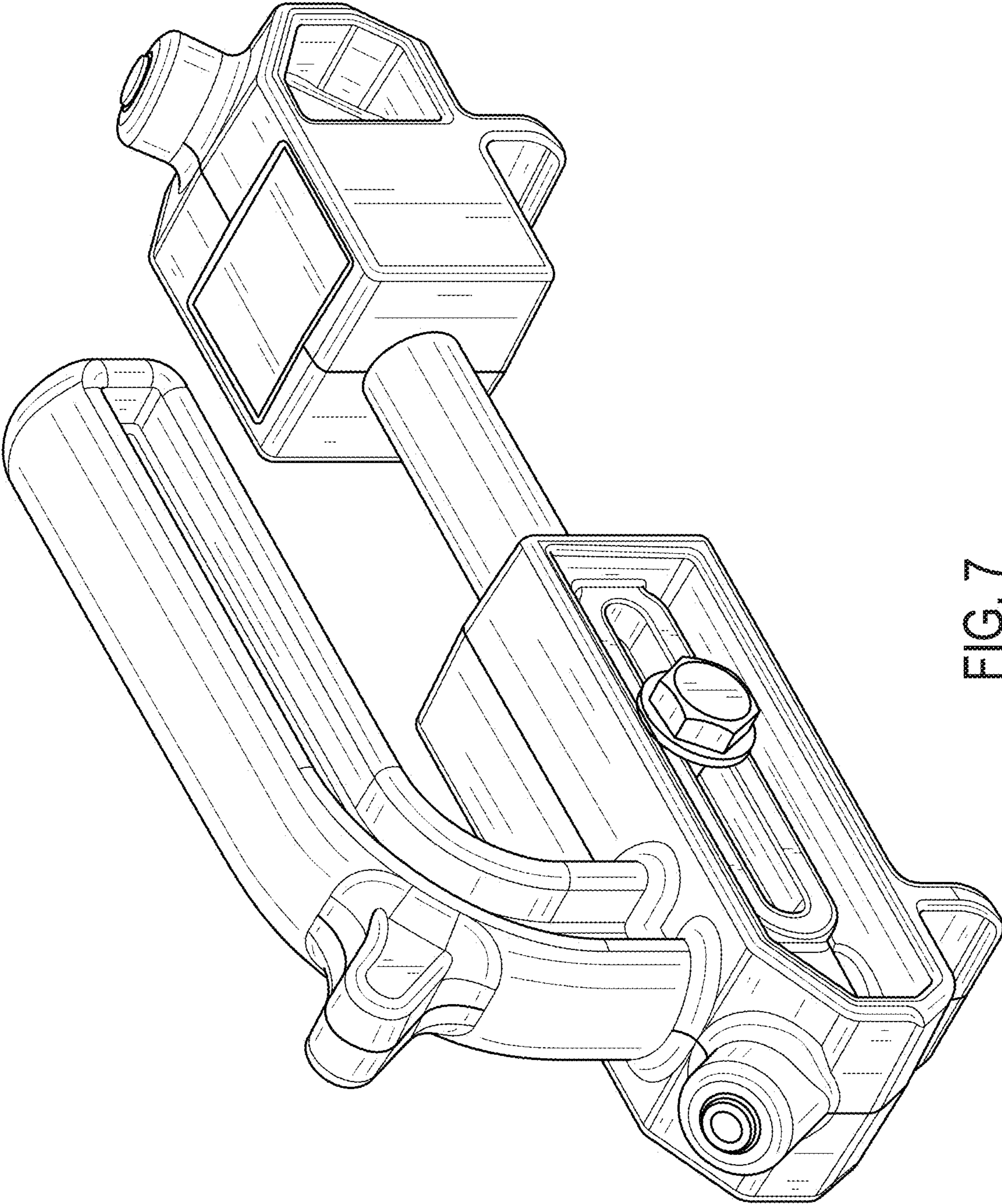


FIG. 7

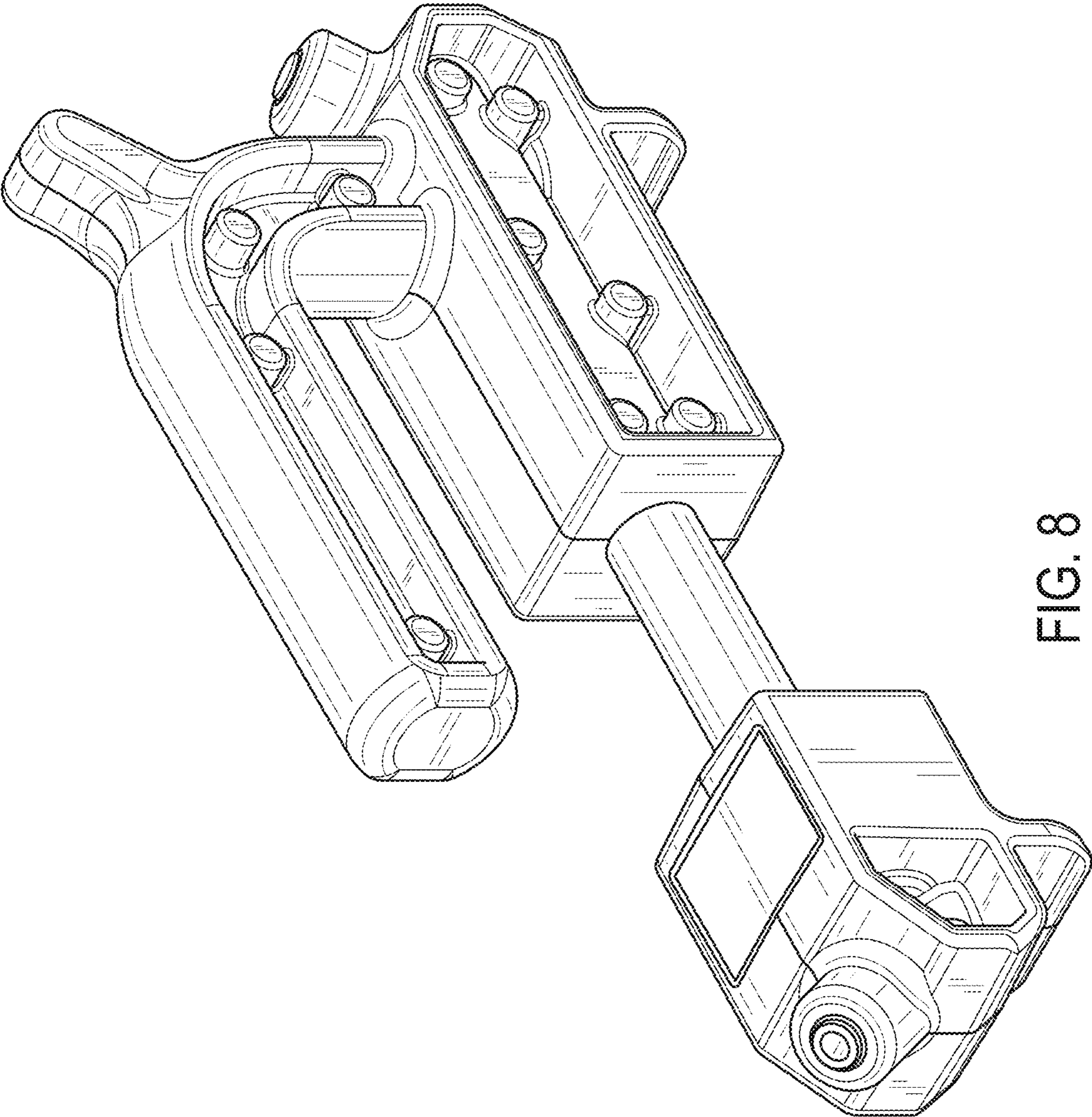


FIG. 8