



US00D988830S

(12) **United States Design Patent**
Zeng

(10) **Patent No.:** **US D988,830 S**
(45) **Date of Patent:** **** Jun. 13, 2023**

- (54) **EXTRACTOR**
- (71) Applicant: **ANWINER TECHNOLOGY INTERNATIONAL INC**, Brighton, CO (US)
- (72) Inventor: **Fenglan Zeng**, Brighton, CO (US)
- (73) Assignee: **ANWINER TECHNOLOGY INTERNATIONAL INC**, Brighton, CO (US)
- (**) Term: **15 Years**
- (21) Appl. No.: **29/807,939**
- (22) Filed: **Sep. 16, 2021**
- (51) **LOC (14) Cl.** **08-04**
- (52) **U.S. Cl.**
USPC **D8/86**
- (58) **Field of Classification Search**
USPC D8/70, 82, 85, 86; D15/139; D24/145
CPC B25B 27/18; B25B 15/00; B25B 15/001;
B25B 15/005; B25B 15/007; B25B 15/02;
B23K 20/1255; A61B 17/92; A61B
17/888; A61B 17/8615
See application file for complete search history.

- D794,409 S * 8/2017 Anderson B25B 27/18
D8/86
- D853,212 S * 7/2019 Whited D8/86
- D935,298 S * 11/2021 Liu D8/86
- D939,309 S * 12/2021 Liu B25B 27/18
D8/86
- D942,238 S * 2/2022 Whited B25B 27/18
D8/86
- D950,344 S * 5/2022 Sweitzer B25B 15/004
D8/86
- 2006/0191379 A1 * 8/2006 McCalley B25B 27/18
81/53.2
- 2016/0082579 A1 * 3/2016 Chen B25B 27/18
81/441
- 2018/0001450 A1 * 1/2018 Anderson B25B 27/18
- 2020/0361066 A1 * 11/2020 Kukucka B25B 15/004

* cited by examiner

Primary Examiner — Philip S Hyder

(57) **CLAIM**

The ornamental design for an extractor, as shown and described.

DESCRIPTION

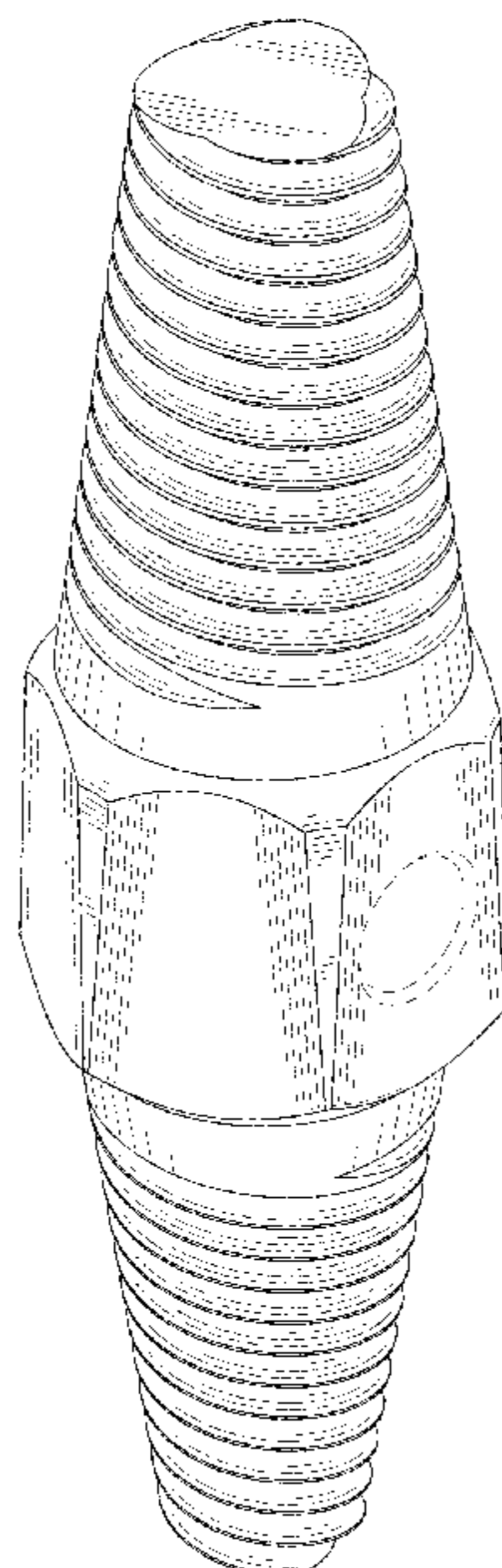
FIG. 1 is a perspective view of an extractor showing my new design;
 FIG. 2 is another perspective view thereof;
 FIG. 3 is a front elevational view thereof;
 FIG. 4 is a rear elevational view thereof;
 FIG. 5 is a left side elevational view thereof;
 FIG. 6 is a right side elevational view thereof;
 FIG. 7 is a top plan view thereof;
 FIG. 8 is a bottom plan view thereof;
 FIG. 9 is a view shows that the extractor used with a rod;
 and,
 FIG. 10 is an enlarged view of portion 10 shown in FIG. 9.
 The broken lines in the drawings depict portions of the extractor that form no part of the claimed design.

1 Claim, 10 Drawing Sheets

(56) **References Cited**

U.S. PATENT DOCUMENTS

- 6,761,089 B2 * 7/2004 Bergamo B25B 27/18
81/53.2
- D668,697 S * 10/2012 Hsu B25B 27/18
D15/139
- 8,955,415 B2 * 2/2015 Lin B25B 27/18
81/53.2
- 9,539,711 B2 * 1/2017 Chen B25B 27/18
- D778,137 S * 2/2017 Tao D8/86
- D794,188 S * 8/2017 Naglapura D8/86



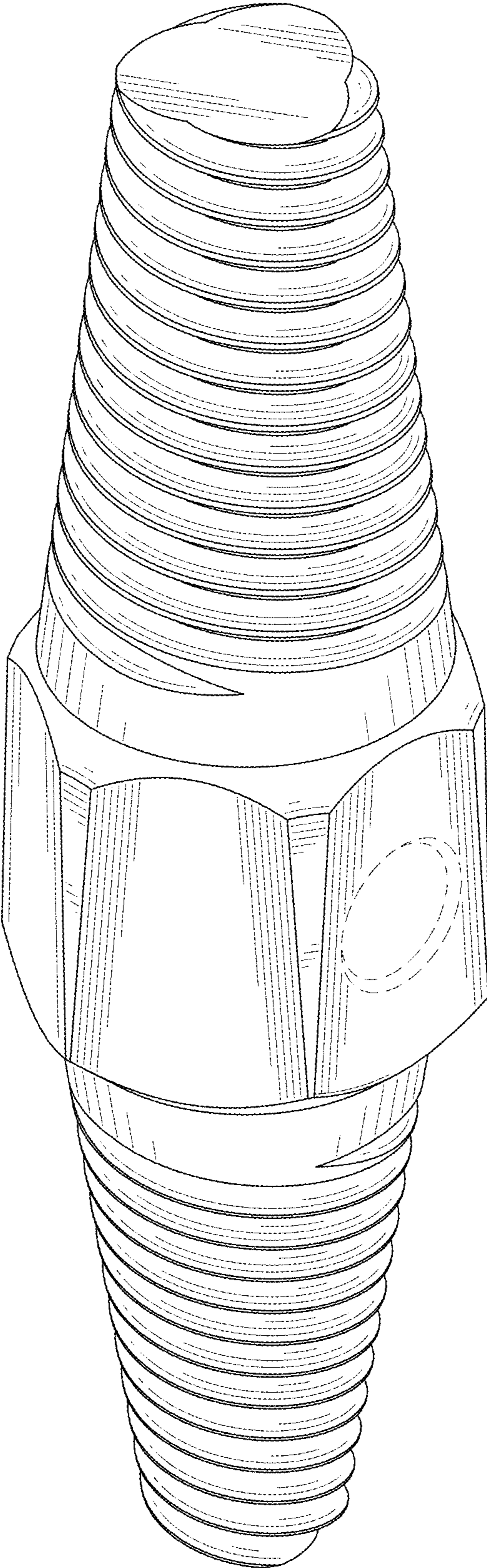


FIG. 1

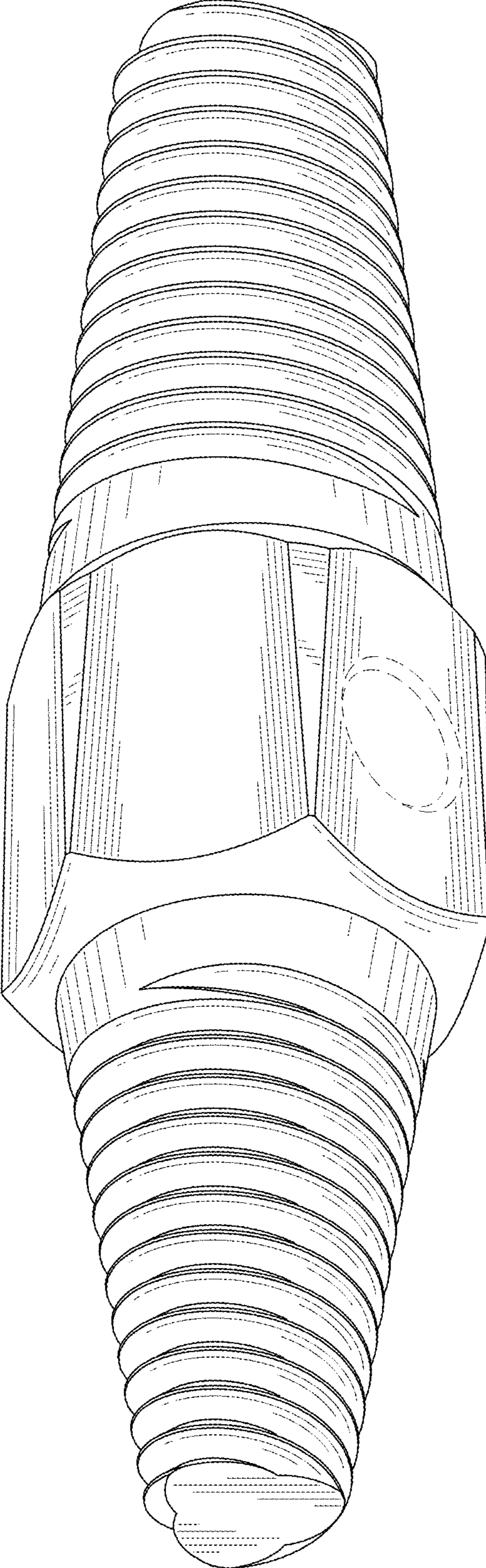


FIG. 2

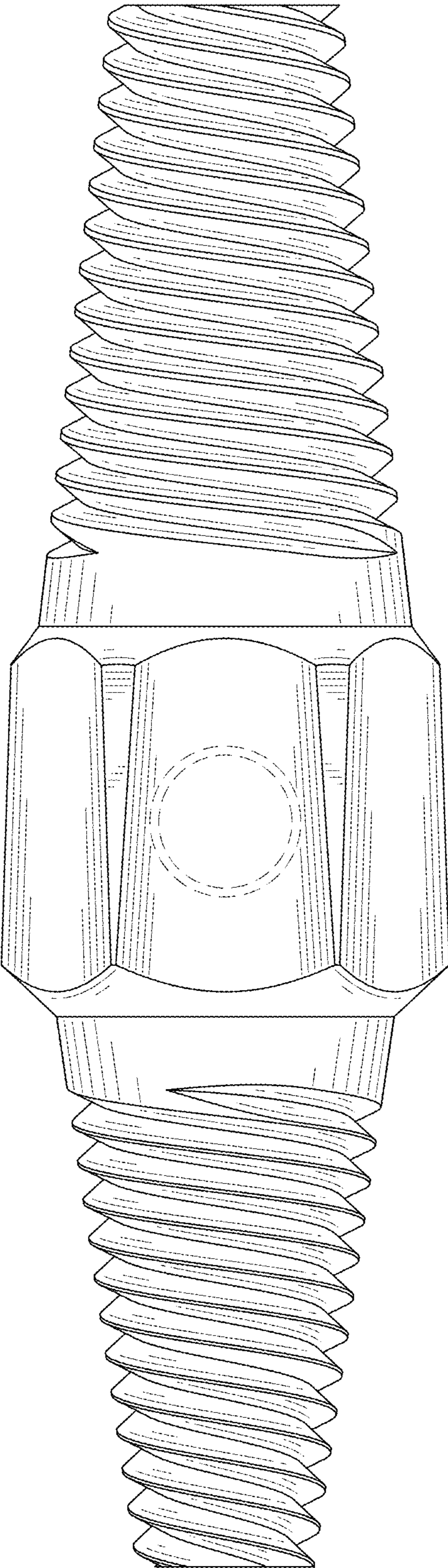


FIG. 3

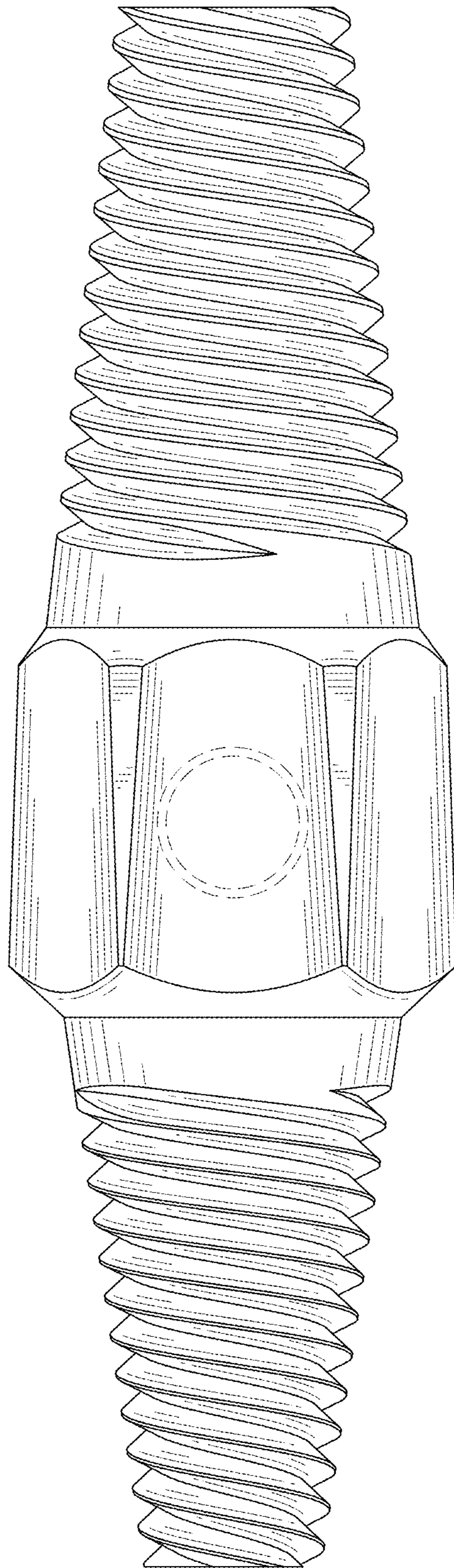


FIG. 4

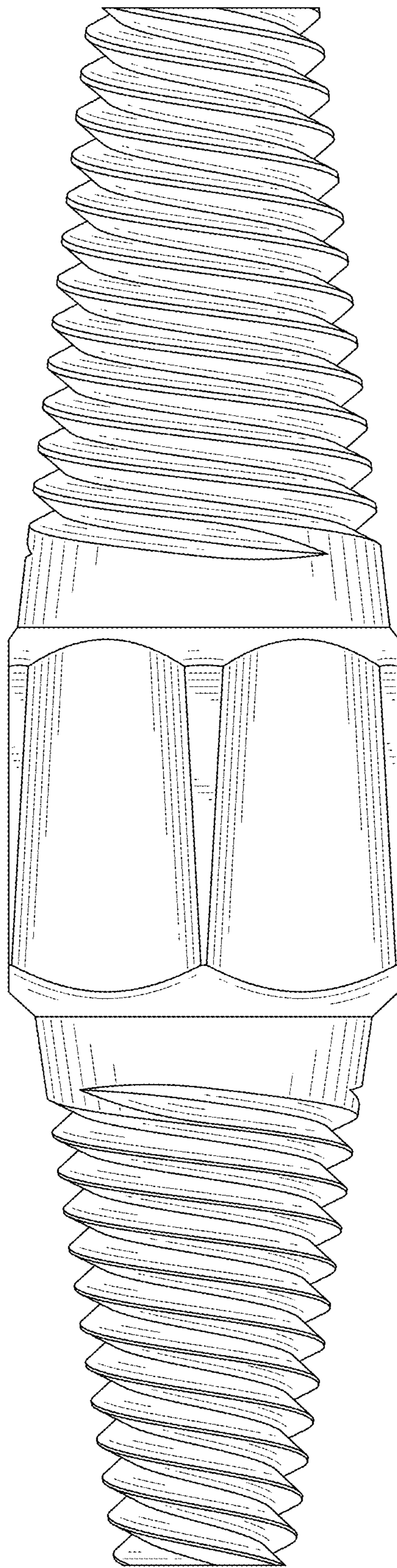


FIG. 5

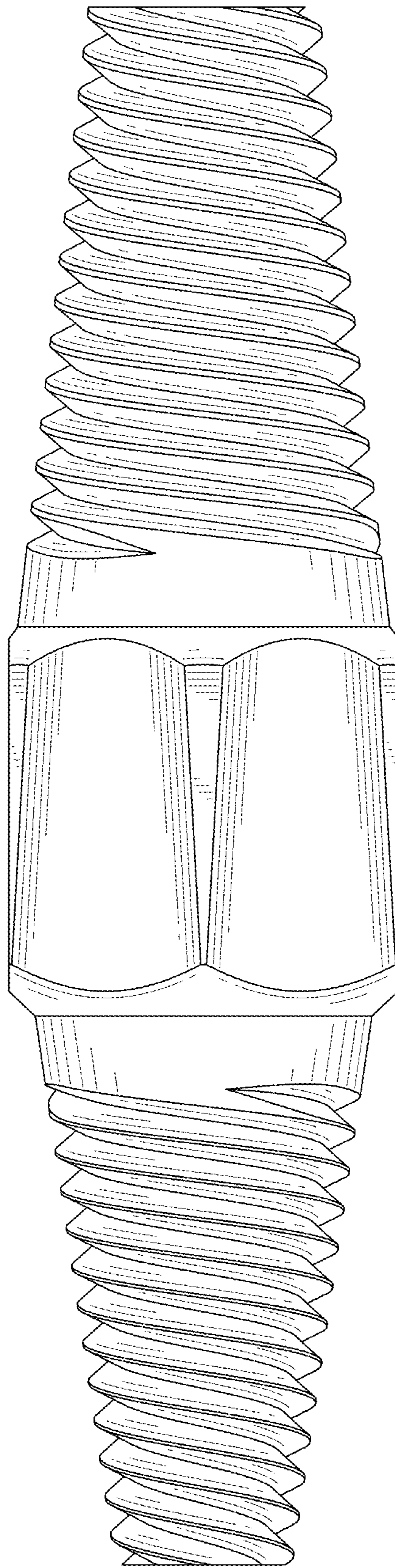


FIG. 6

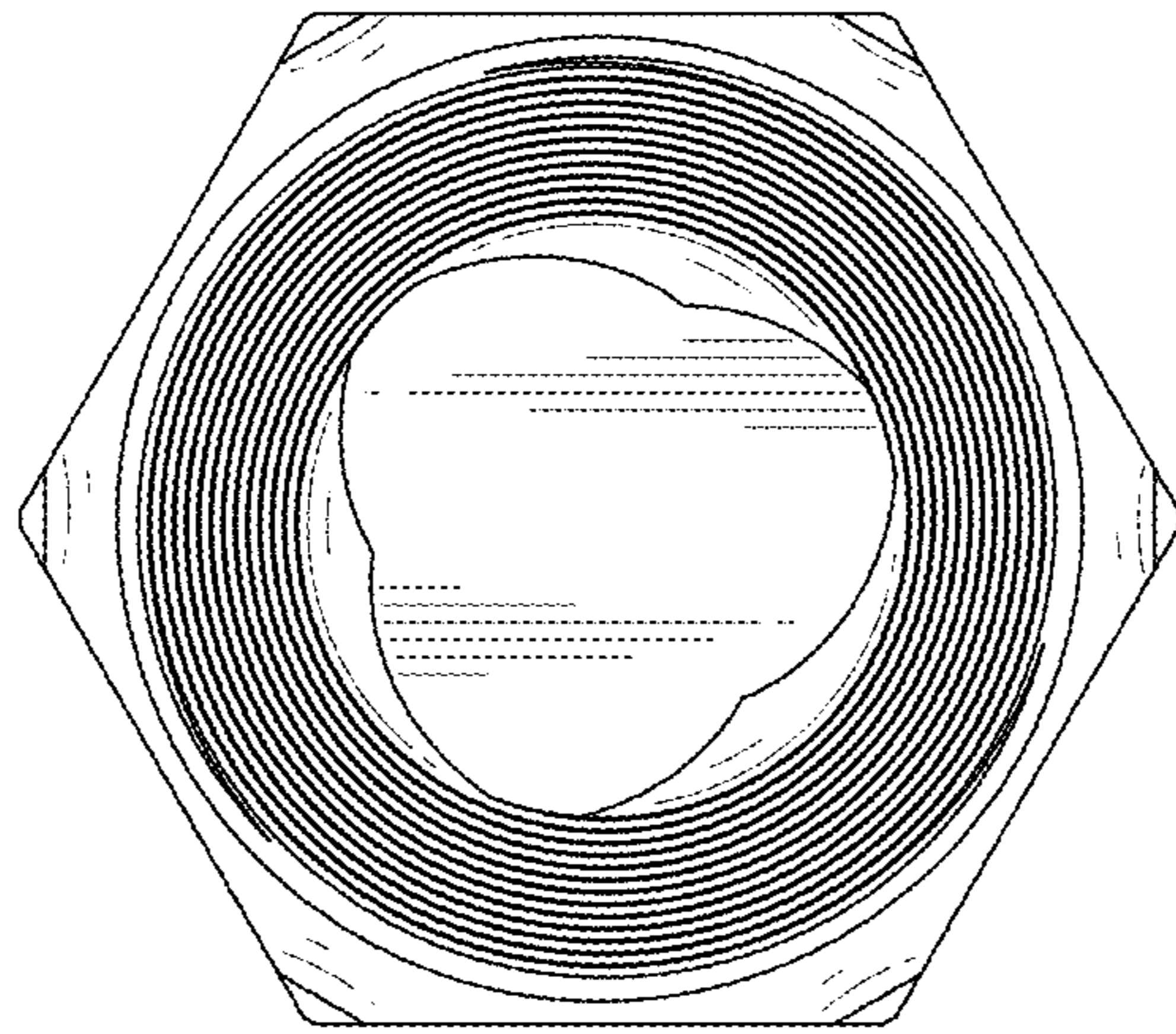


FIG. 7

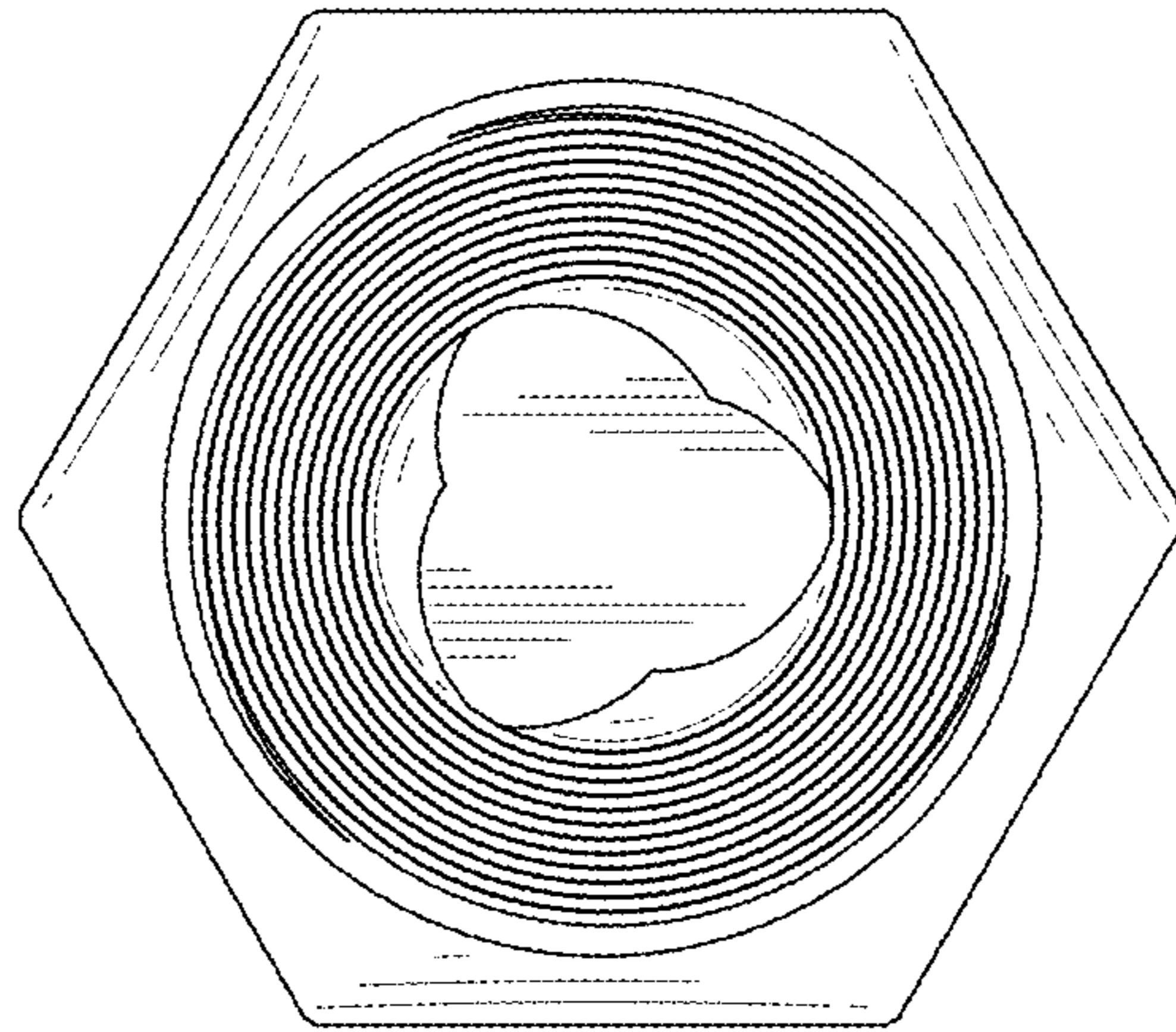


FIG. 8

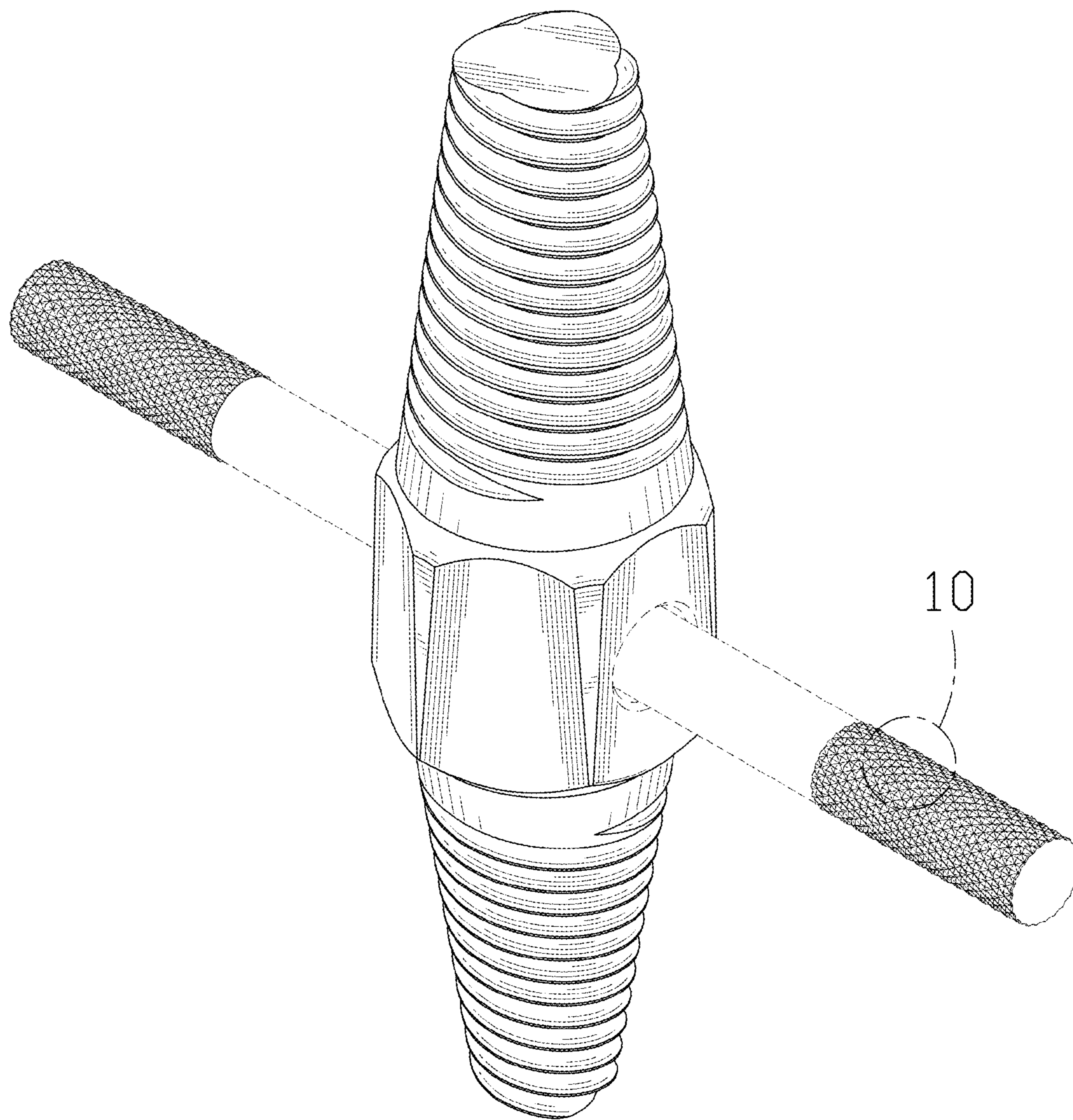


FIG. 9

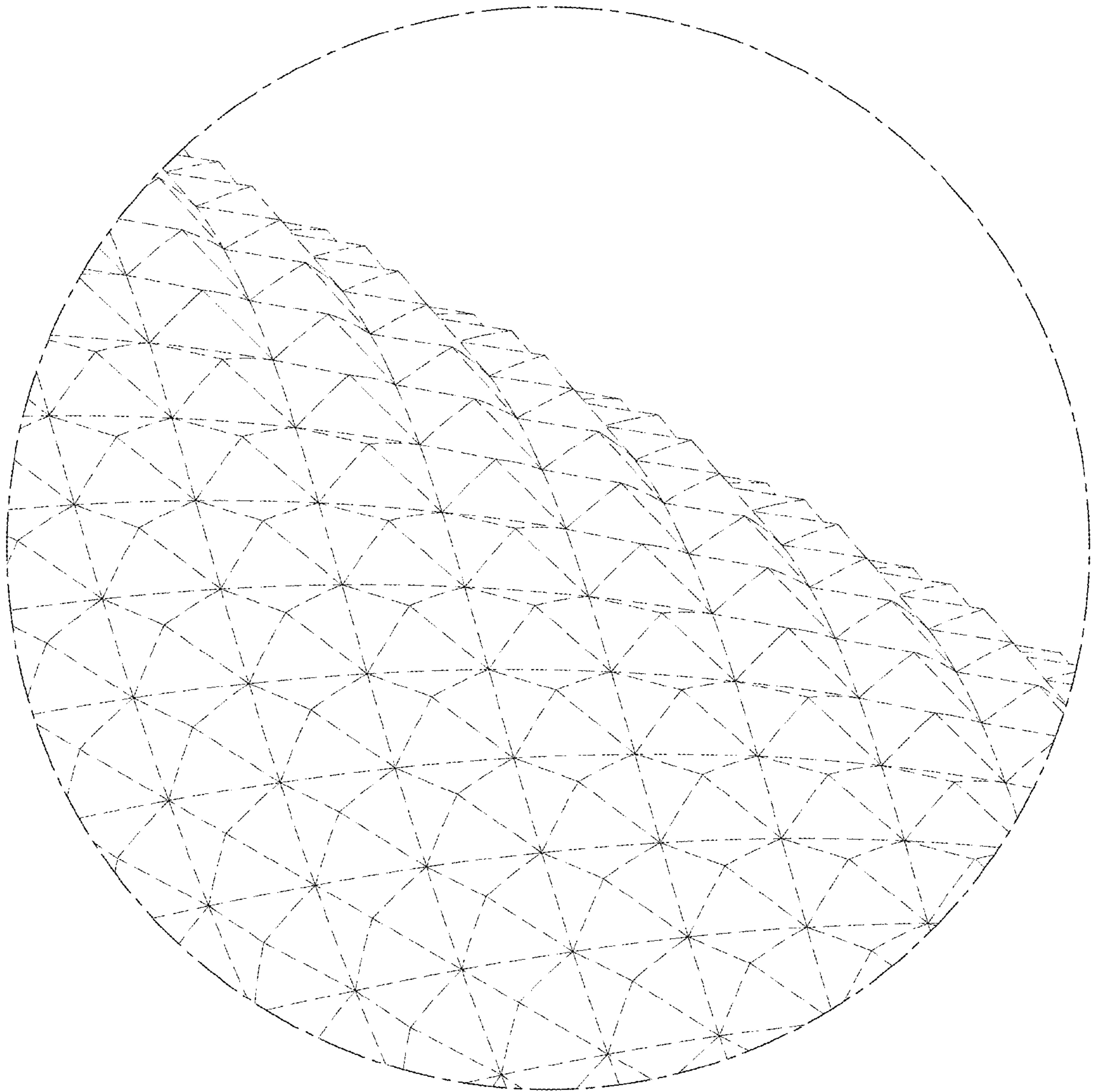


FIG. 10