



US00D988828S

(12) **United States Design Patent** (10) **Patent No.:** **US D988,828 S**
Bowie et al. (45) **Date of Patent:** **** Jun. 13, 2023**

(54) **LEVELING CAP FOR TILE LEVELING SYSTEM**

D630,078 S 1/2011 Kufner
7,861,487 B2 1/2011 Kufner et al.
7,946,093 B1 5/2011 Sturino
D640,119 S 6/2011 Kufner
7,992,354 B2 8/2011 Doda, Jr.
(Continued)

(71) Applicant: **Marshalltown Company,**
Marshalltown, IA (US)

(72) Inventors: **Jim Bowie,** Marshalltown, IA (US);
Mark Fulmer, Fayetteville, AR (US);
Noah Garwood, Des Moines, IA (US);
John T. Hughes, Fayetteville, AR (US);
John M. Reynolds, Rogers, AR (US)

FOREIGN PATENT DOCUMENTS

AU 2015101927 A4 5/2019
EM 003818756-0002 7/2017
(Continued)

(73) Assignee: **Marshalltown Company,**
Marshalltown, IA (US)

OTHER PUBLICATIONS

Marshalltown _ FASTcap™ Ratchet Caps, Date Visited: Dec. 1, 2021, Marshall Town, Date Available: Dec. 1, 2021, <https://marshalltown.com/pro-3661-fastcap-ratchet-caps?variantItemId=29237> (Year: 2021).*

(**) Term: **15 Years**

(21) Appl. No.: **29/711,001**

(Continued)

(22) Filed: **Oct. 28, 2019**

(51) **LOC (14) Cl.** **08-05**

Primary Examiner — Karen S Acker

(52) **U.S. Cl.**
USPC **D8/71**

Assistant Examiner — Elizabeth S Ko

(74) *Attorney, Agent, or Firm* — Stinson LLP

(58) **Field of Classification Search**
USPC D8/71, 315, 70, 72, 74, 336, 354,
D8/306–307, 321, 382, 373; D2/979;
D23/226, 213
CPC B23B 47/287; B23B 2247/10; B23B
2260/088; B23B 49/02; B23B 49/023;
B23B 51/009; B25H 3/003; B25H 3/06;
F16B 2/12; F16M 11/242; F16M 11/42;
F16M 13/022; G01B 5/02
See application file for complete search history.

(57) **CLAIM**

The ornamental design for a leveling cap for a tile leveling system, as shown and described.

DESCRIPTION

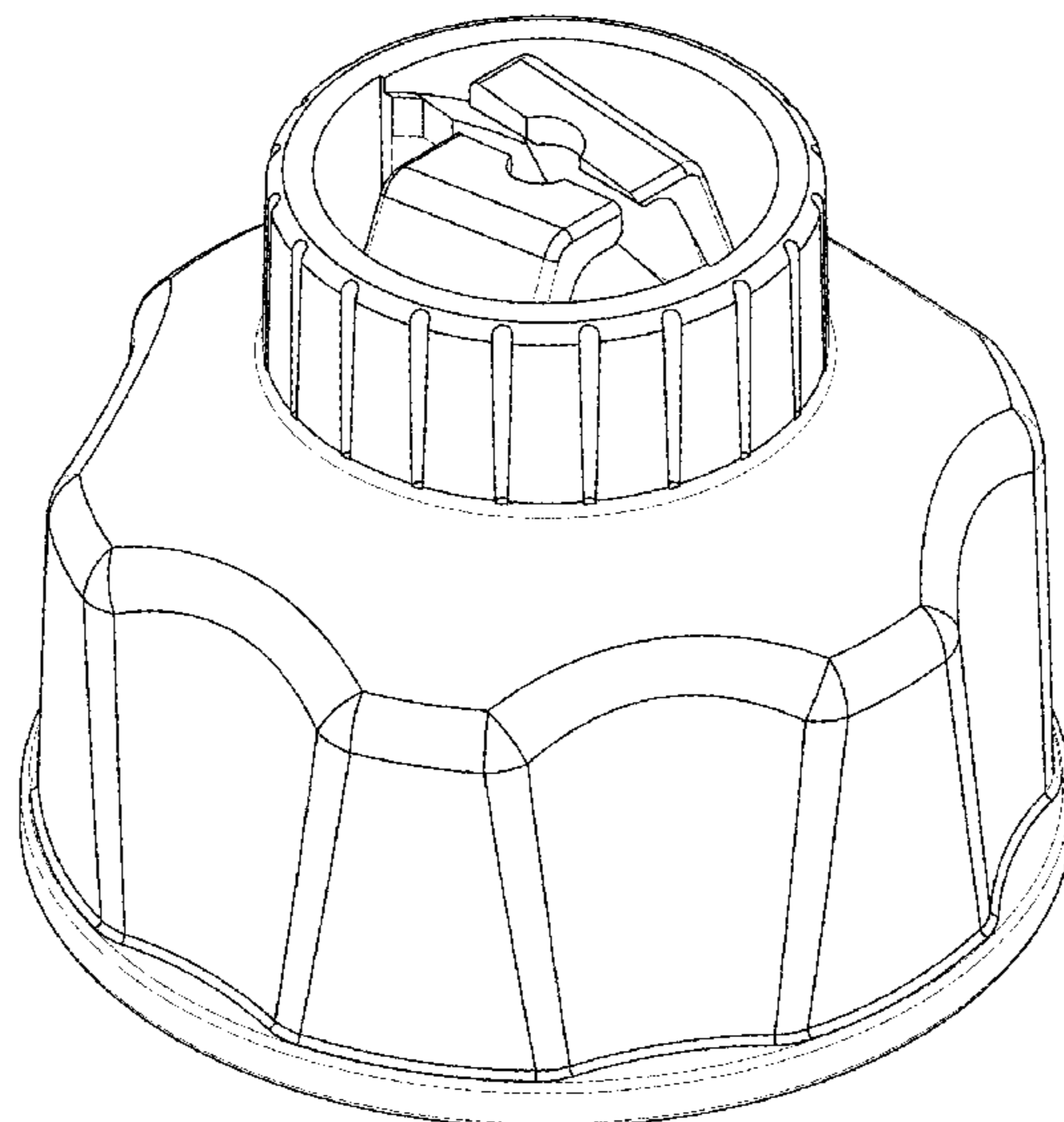
FIG. 1 is a perspective of a leveling cap for a tile leveling system;
FIG. 2 is a front elevational view of the leveling cap;
FIG. 3 is a right elevational view of the leveling cap;
FIG. 4 is a top plan view of the leveling cap;
FIG. 5 is a rear elevational view of the leveling cap;
FIG. 6 is a left elevational view of the leveling cap; and,
FIG. 7 is a bottom plan view of the leveling cap.
The broken lines in the drawings depict parts of the article that form no part of the claimed design.

(56) **References Cited**

U.S. PATENT DOCUMENTS

4,397,125 A 8/1983 Gussler, Jr.
5,056,199 A 10/1991 Stein et al.
7,257,926 B1 8/2007 Kirby
7,621,100 B2 11/2009 Kufner et al.
D630,077 S 1/2011 Kufner

1 Claim, 7 Drawing Sheets



(56)

References Cited

U.S. PATENT DOCUMENTS

D658,963 S 5/2012 Kufner
 8,181,420 B2 5/2012 Torrents
 8,429,878 B1 4/2013 Hoffman et al.
 8,429,879 B1 4/2013 Hoffman et al.
 8,635,815 B2 1/2014 Bordin
 8,820,031 B2 8/2014 Kufner et al.
 9,010,064 B1 * 4/2015 Farahmandpour E04B 1/4185
 52/714
 D734,119 S 7/2015 Kufner
 D742,719 S * 11/2015 Komura D8/349
 9,279,259 B1 3/2016 Russo
 9,322,185 B1 * 4/2016 Russo E04F 21/0092
 9,322,186 B1 * 4/2016 Chang E04F 21/22
 9,328,522 B2 5/2016 Bordin
 9,470,002 B2 10/2016 Irvine et al.
 9,482,018 B2 * 11/2016 Torrents I Comas
 E04F 21/0092
 9,482,019 B2 11/2016 Fontana
 D775,935 S * 1/2017 Sarajian D8/354
 D778,709 S * 2/2017 Russo D8/355
 9,562,365 B2 2/2017 Bucsa
 9,874,032 B1 1/2018 Chen
 D817,140 S * 5/2018 Mouthaan D8/71
 9,982,442 B2 5/2018 Kufner et al.
 10,053,872 B2 8/2018 Sighinolfi
 D834,922 S * 12/2018 Russo D8/355
 10,161,145 B2 12/2018 Lazaro Florensa
 D837,016 S * 1/2019 Psaila D8/71
 D845,100 S * 4/2019 Gonzalez Garcia D8/71
 D856,104 S * 8/2019 Dahill D8/71
 D856,105 S * 8/2019 Dahill D8/71
 D856,106 S * 8/2019 Dahill D8/71
 D856,107 S * 8/2019 Dahill D8/71
 D856,111 S 8/2019 Russo
 D856,772 S * 8/2019 Dahill D8/71
 D856,773 S * 8/2019 Dahill D8/71
 D857,473 S * 8/2019 Dahill D8/71
 D858,241 S * 9/2019 Dahill D8/71
 D862,204 S * 10/2019 Russo D8/355
 D867,844 S * 11/2019 Dahill D8/71
 10,538,925 B2 1/2020 Ghelfi
 10,577,813 B2 3/2020 Dahill
 10,604,945 B2 3/2020 Volponi et al.
 D880,267 S * 4/2020 Dahill D8/71
 D885,862 S 6/2020 Bacia
 D896,289 S * 9/2020 Wachsmann D15/140

D899,900 S 10/2020 Blanco
 D906,385 S * 12/2020 Buhr D15/140
 10,895,081 B2 1/2021 Mendiluza
 10,947,740 B2 3/2021 Sighinolfi
 11,002,025 B2 5/2021 Sighinolfi
 D932,272 S * 10/2021 Burke D8/71
 2002/0121027 A1 9/2002 Kruskamp
 2003/0036762 A1 2/2003 Kerr et al.
 2009/0126213 A1 5/2009 Tavy et al.
 2013/0067854 A1 3/2013 Bordin
 2014/0033641 A1 2/2014 Trevisi
 2015/0184355 A1 7/2015 Wang
 2015/0211243 A1 * 7/2015 Irvine E04F 21/22
 52/126.1
 2015/0240504 A1 * 8/2015 Hoffman E04F 21/22
 29/244
 2015/0267420 A1 9/2015 Fontana
 2015/0354231 A1 12/2015 Bordin
 2017/0044779 A1 2/2017 Teng
 2017/0211282 A1 7/2017 Teng
 2018/0291640 A1 10/2018 Sighinolfi
 2019/0271167 A1 9/2019 Ghelfi
 2020/0149295 A1 5/2020 Mendiluza
 2020/0240154 A1 7/2020 Nudo
 2021/0032883 A1 2/2021 Byer
 2021/0108664 A1 4/2021 Hebert et al.

FOREIGN PATENT DOCUMENTS

EM 007816905-0003 6/2020
 EM 007816905-0004 6/2020
 TW 201433680 A 9/2014
 WO 2013023236 A1 2/2013

OTHER PUBLICATIONS

Marshalltown FASTcap Tiling Leveling System, Date Visited: Dec. 1, 2021, Amazon, Date Available: Mar. 23, 2021, <https://www.amazon.com/MARSHALLTOWN-FASTcap-Leveling-Ratchet-Standard/dp/B08ZP5Y7TD> (Year: 2021).
 Spin Doctor Tile Leveling System: Announced, Jan. 8, 2018, 9 pages, <https://www.amazon.com/Doctor-Leveling-System-Inches-millimeter/dp/B078WC96MQ>.
 Marshall Town FASTcap Tiling Leveling System, Mar. 23, 2021, 6 pages, <https://www.amazon.com/MARSHALLTOWN-FASTcap-Tiling-Leveling-System/dp/B08ZVN NY7X>.

* cited by examiner

FIG. 1

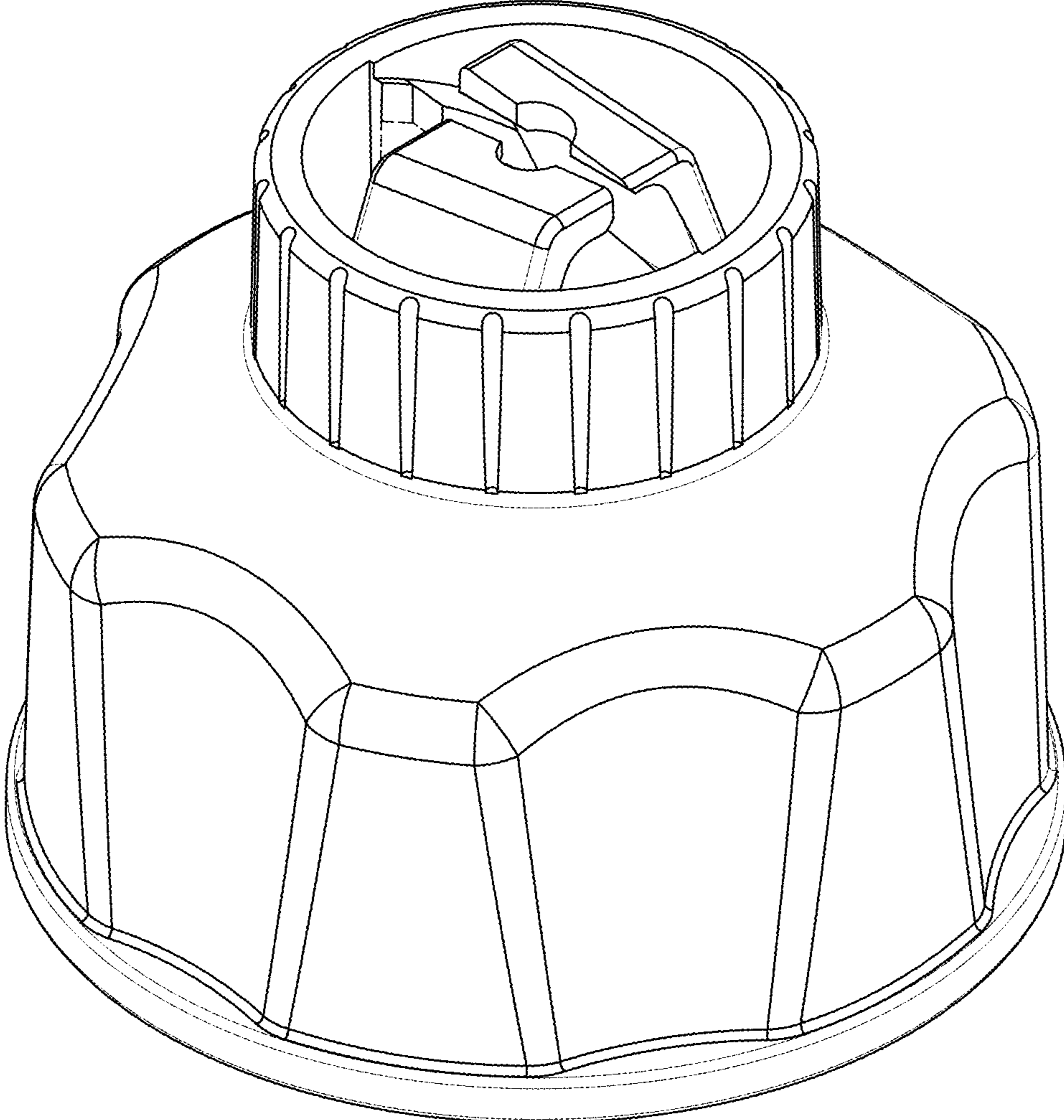


FIG. 2

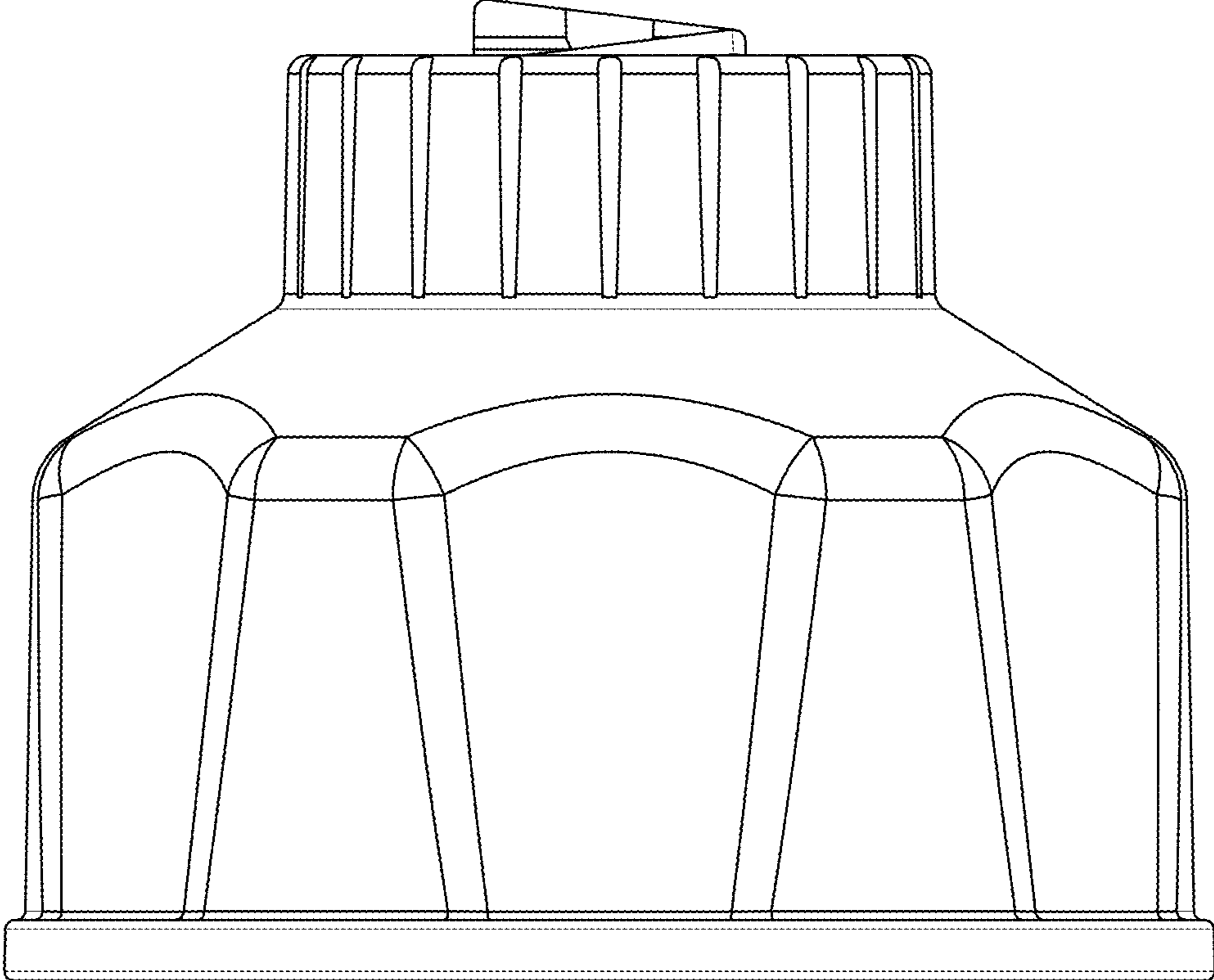


FIG. 3

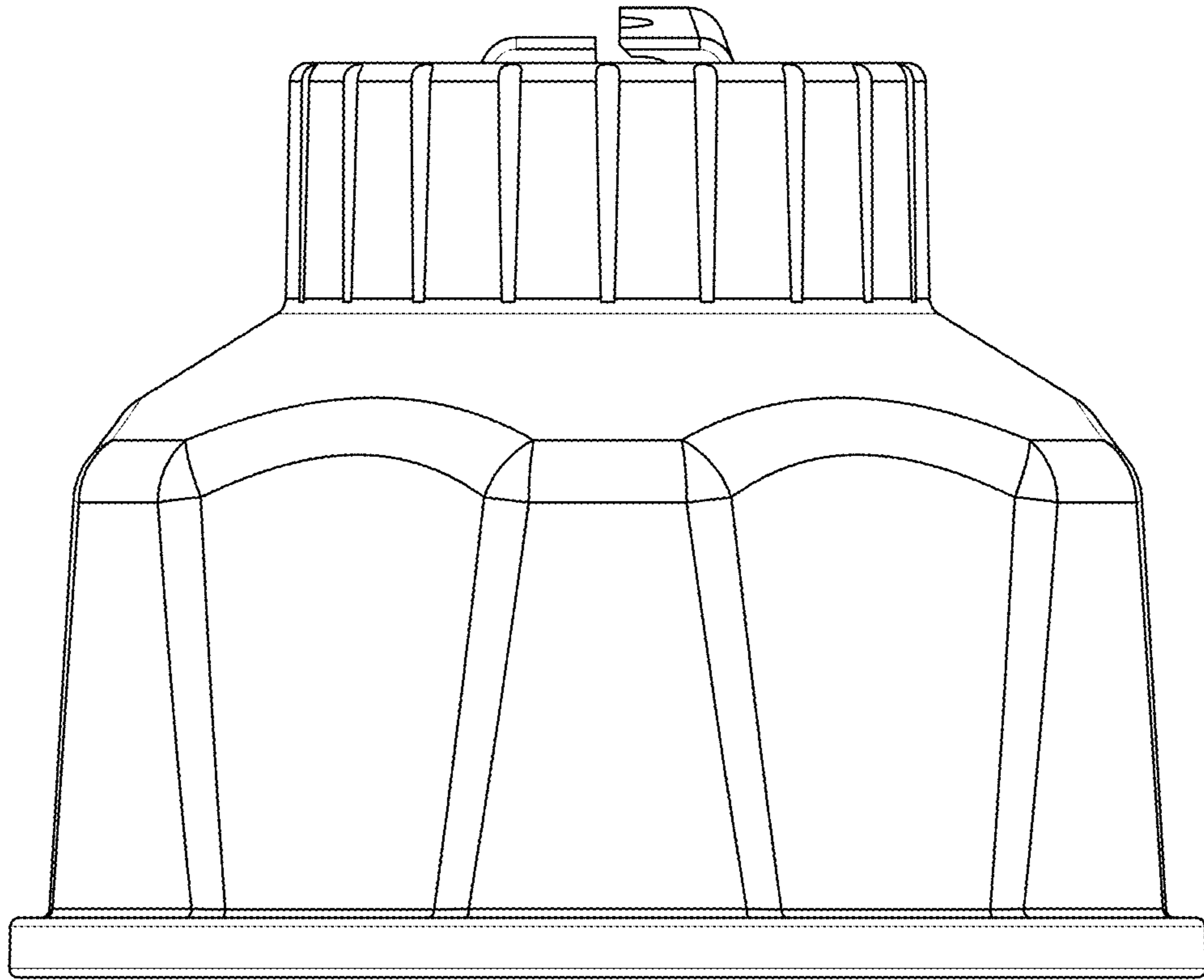


FIG. 4

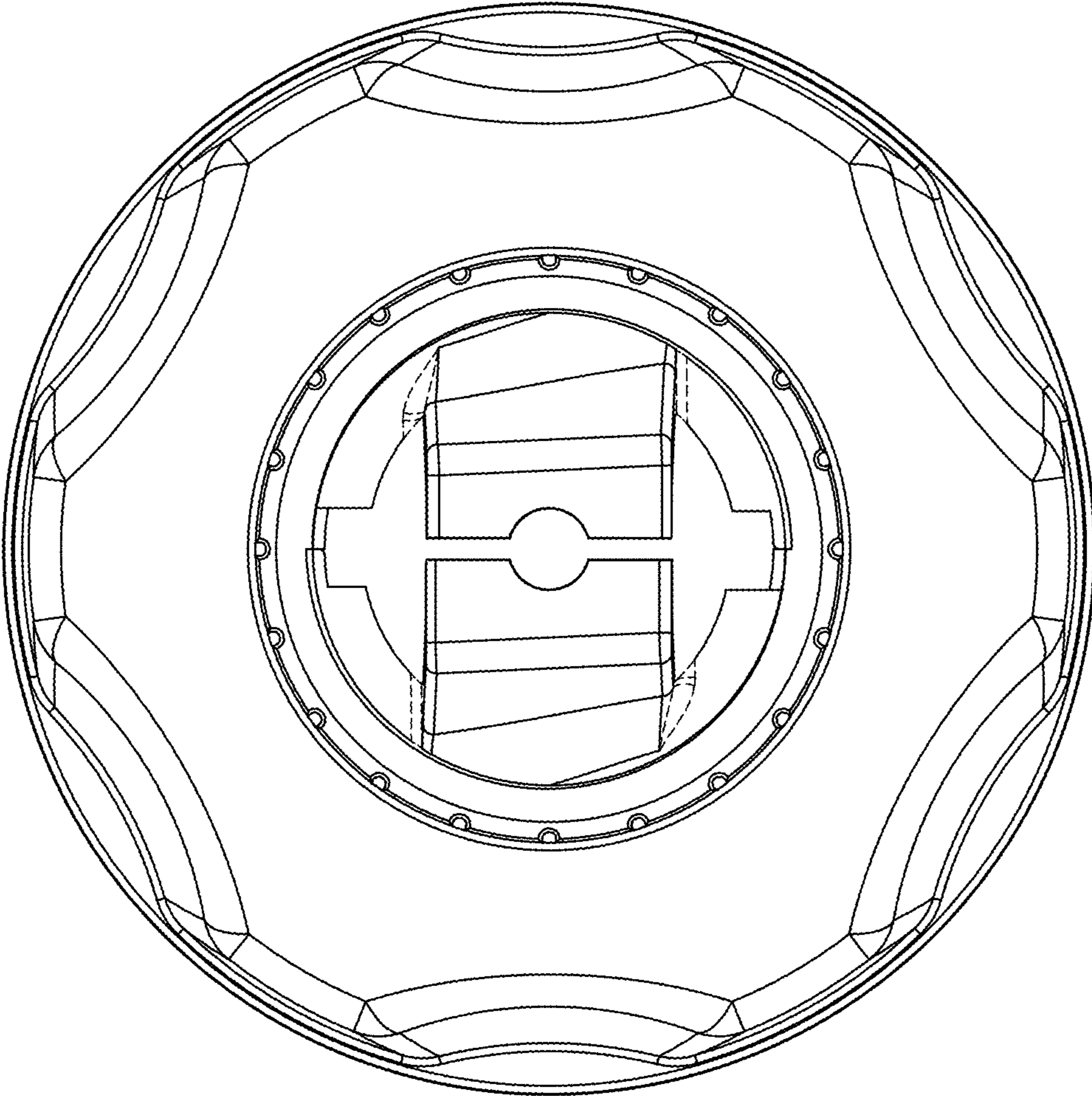


FIG. 5

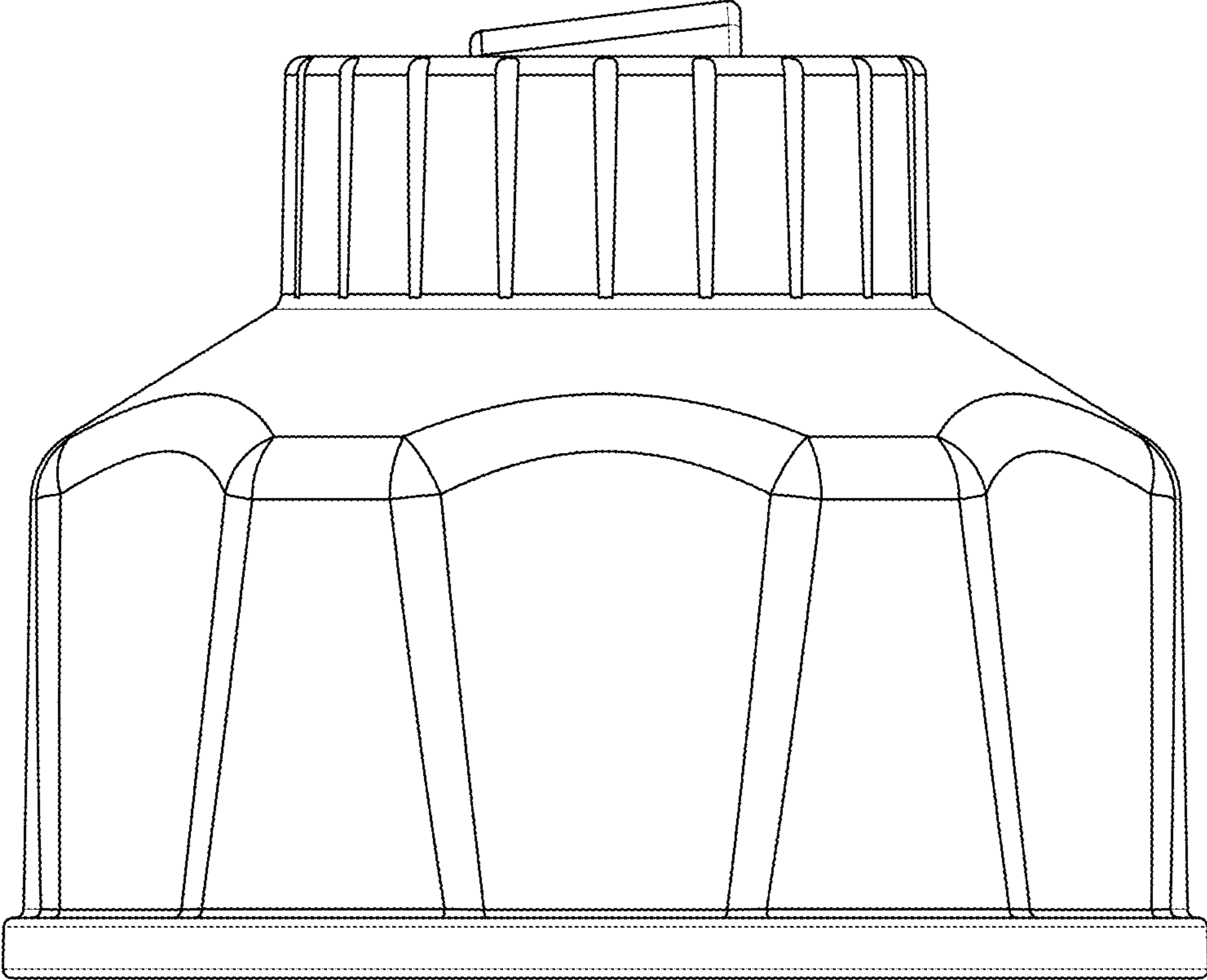


FIG. 6

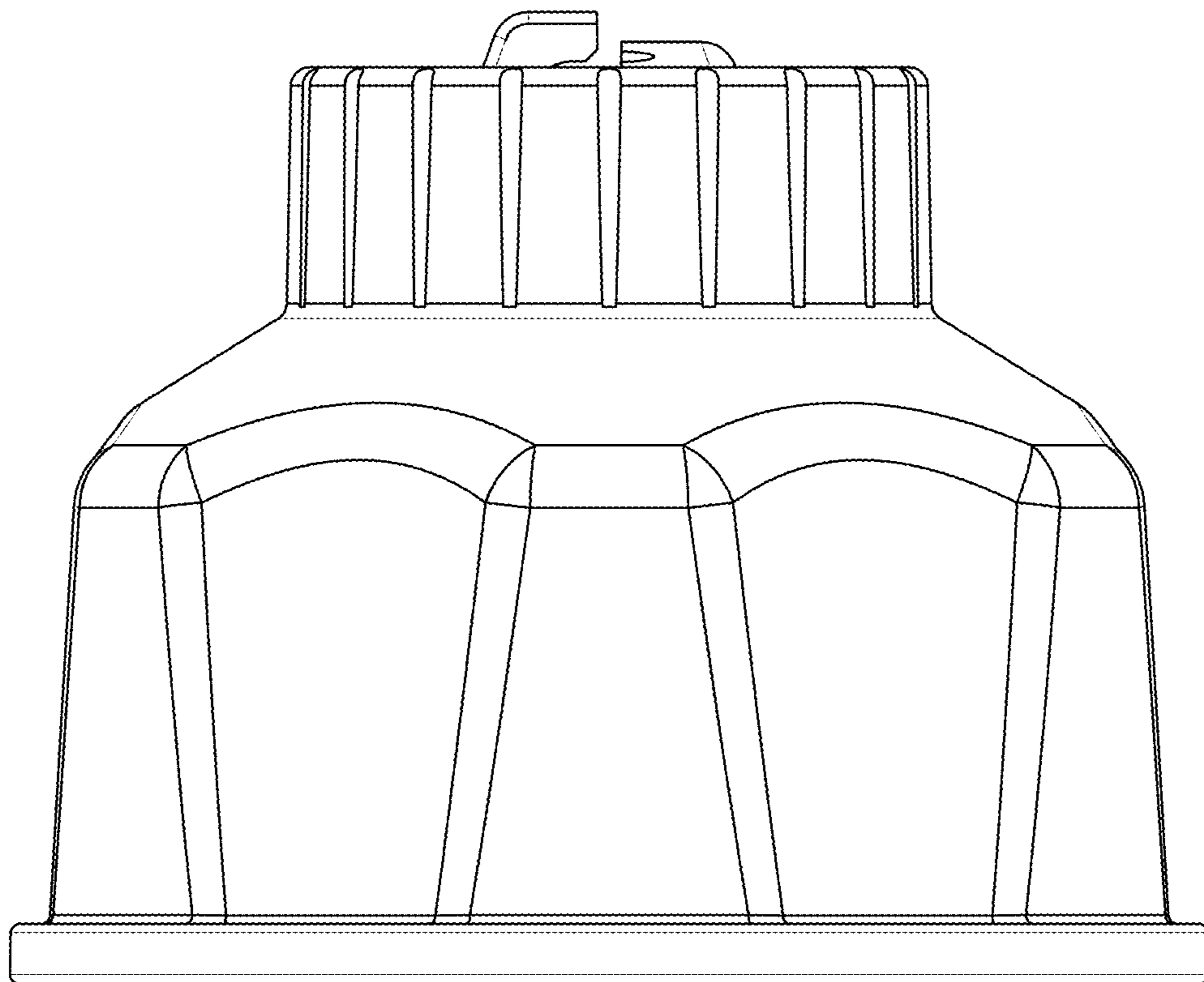


FIG. 7

