



US00D988824S

(12) **United States Design Patent**
Parham

(10) **Patent No.:** **US D988,824 S**

(45) **Date of Patent:** **** *Jun. 13, 2023**

(54) **LIGHT BULB REMOVAL AND REPLACEMENT KIT**

(71) Applicant: **John Quinn Parham**, Caledonia, MS (US)

(72) Inventor: **John Quinn Parham**, Caledonia, MS (US)

(*) Notice: This patent is subject to a terminal disclaimer.

(**) Term: **15 Years**

(21) Appl. No.: **29/758,772**

(22) Filed: **Nov. 18, 2020**

(51) **LOC (14) Cl.** **08-05**

(52) **U.S. Cl.**
USPC **D8/14**

(58) **Field of Classification Search**
USPC D8/14, 21, 107
CPC H01K 3/32; H01J 9/003; H01J 9/006
See application file for complete search history.

(56) **References Cited**

U.S. PATENT DOCUMENTS

2,545,043	A *	3/1951	Odenthal	H01K 3/32	81/53.11
2,634,998	A *	4/1953	Flower	H01K 3/32	81/53.11
2,637,587	A *	5/1953	Robinson	H01J 9/006	81/53.11
D297,499	S *	9/1988	Whitney		81/53.11
5,218,889	A *	6/1993	Brockberg	H01J 9/003	81/53.11
5,829,524	A *	11/1998	Flanders	E21B 33/10	166/242.7
7,234,743	B2 *	6/2007	Robinson	H01K 3/32	81/53.11

7,270,031	B1 *	9/2007	Huis	H01J 9/003	81/436
7,367,347	B2 *	5/2008	Field	B60N 3/026	135/86
8,555,749	B2 *	10/2013	Gatski	H01J 9/003	81/53.11
8,783,136	B2 *	7/2014	Workman	H01K 3/32	81/53.12
9,070,544	B1 *	6/2015	Shaps	H01J 9/006	
D745,347	S *	12/2015	Gurwicz	D8/14	
9,613,794	B2 *	4/2017	Becker	H01K 3/32	
D817,124	S *	5/2018	Gurwicz	D8/14	
2010/0024606	A1 *	2/2010	Becker	H01K 3/32	81/53.11

* cited by examiner

Primary Examiner — Philip S Hyder

(74) *Attorney, Agent, or Firm* — Sanchelima & Associates, P.A.; Christian Sanchelima; Jesus Sanchelima

(57) **CLAIM**

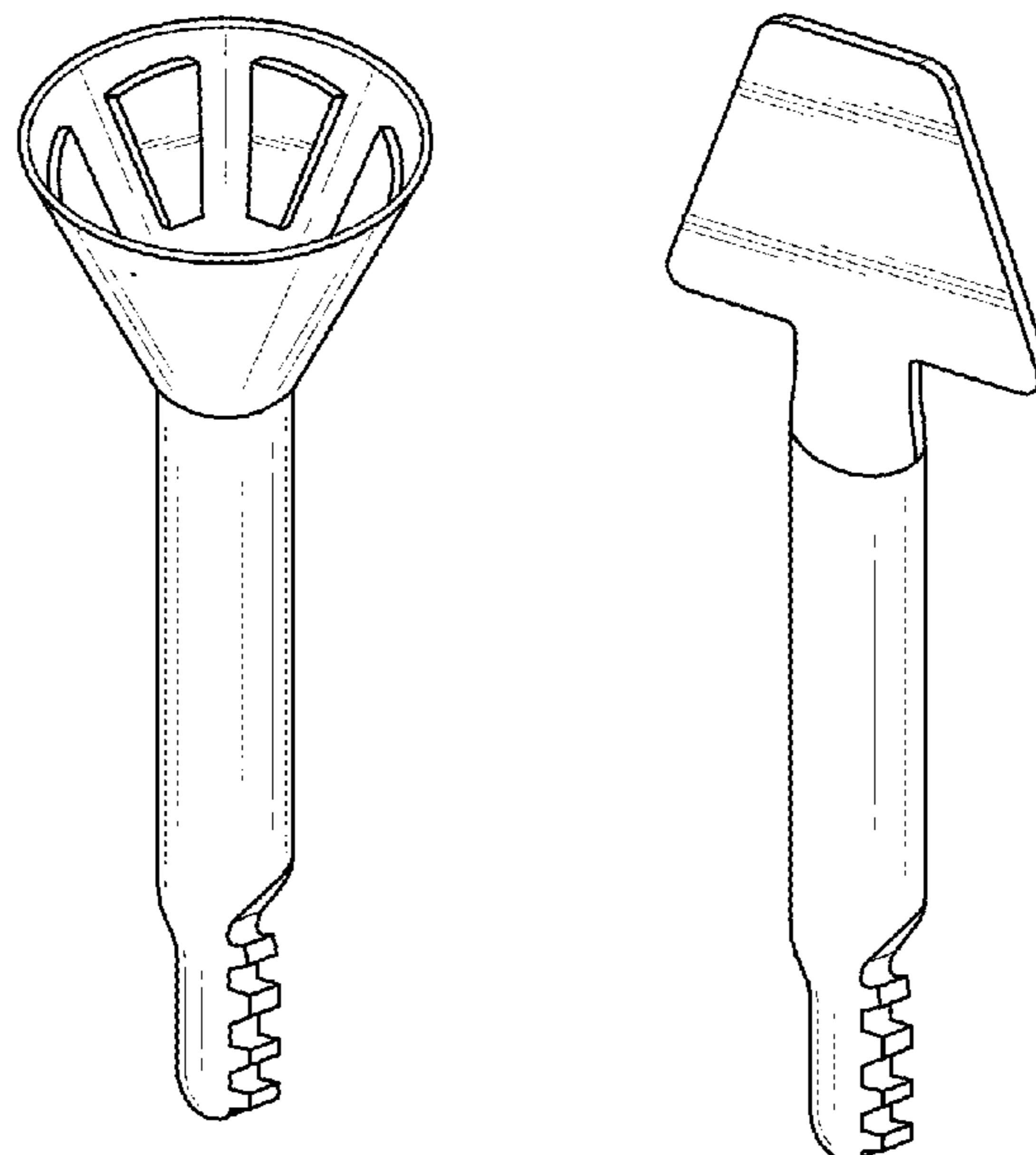
The ornamental design for a light bulb removal and replacement kit, as shown and described.

DESCRIPTION

FIG. 1 is an isometric view of a light bulb removal and replacement kit showing my new design; FIG. 2 is a front elevational view thereof; FIG. 3 is a rear elevational view thereof; FIG. 4 is a left side elevational view thereof; FIG. 5 is a right elevational view thereof; FIG. 6 is a top plan view thereof; FIG. 7 is a bottom plan view thereof; and, FIG. 8 is another perspective view thereof, wherein the broken line showing of the fasteners and rods are provided for purposes of environment, and form no part of the claimed design.

No claim is made to the rod and fastener shown in broken lines, it is shown for illustration purposes only.

1 Claim, 5 Drawing Sheets



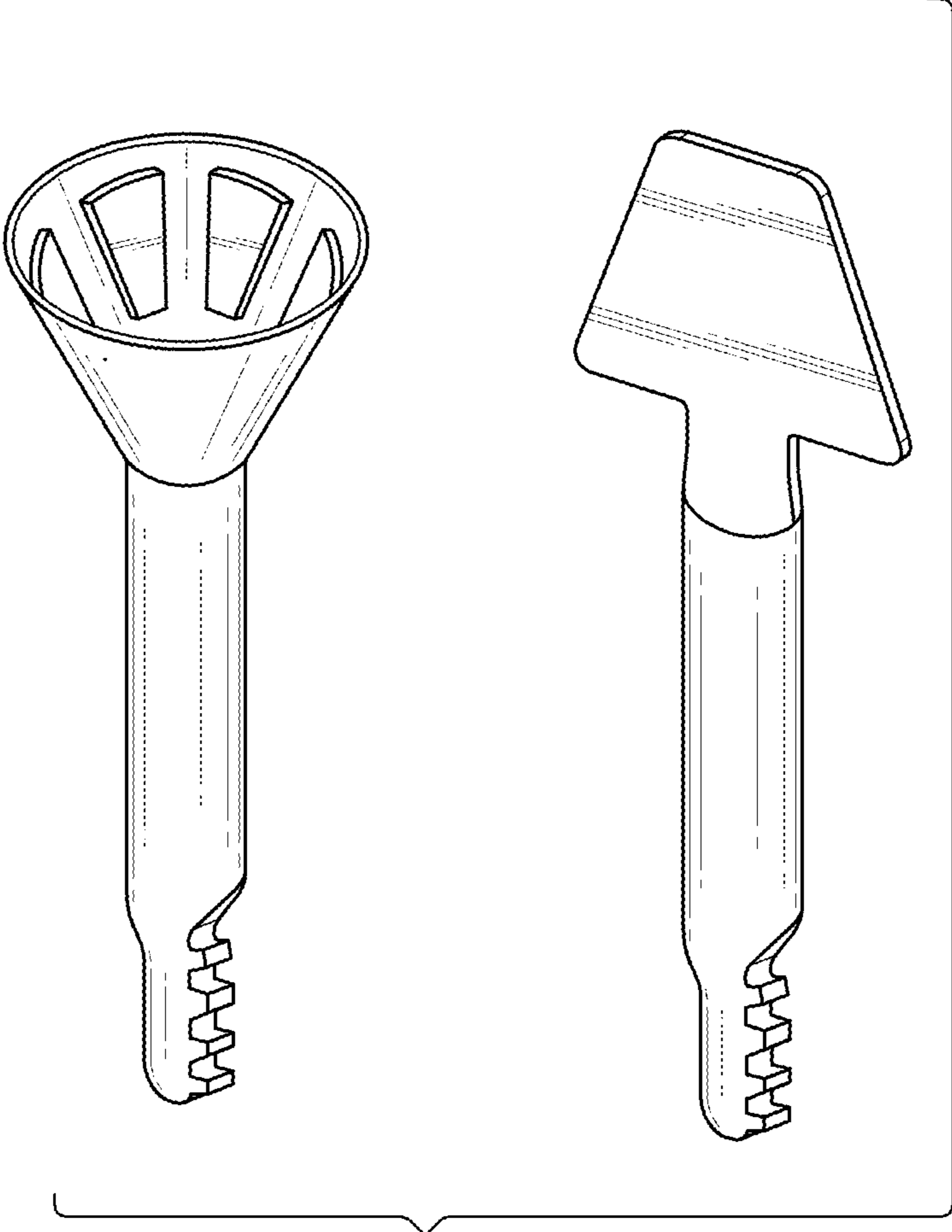


FIG. 1

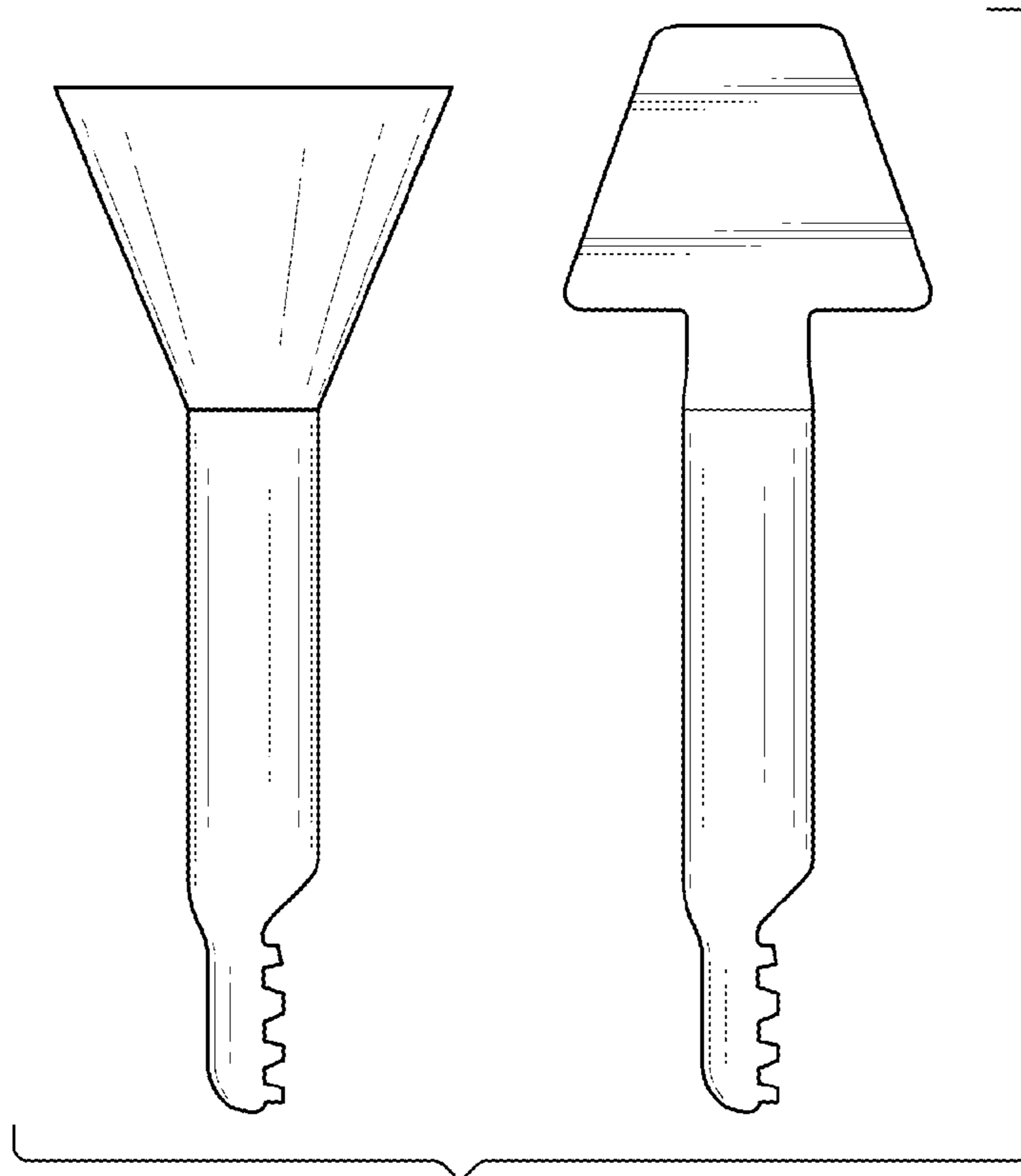


FIG. 2

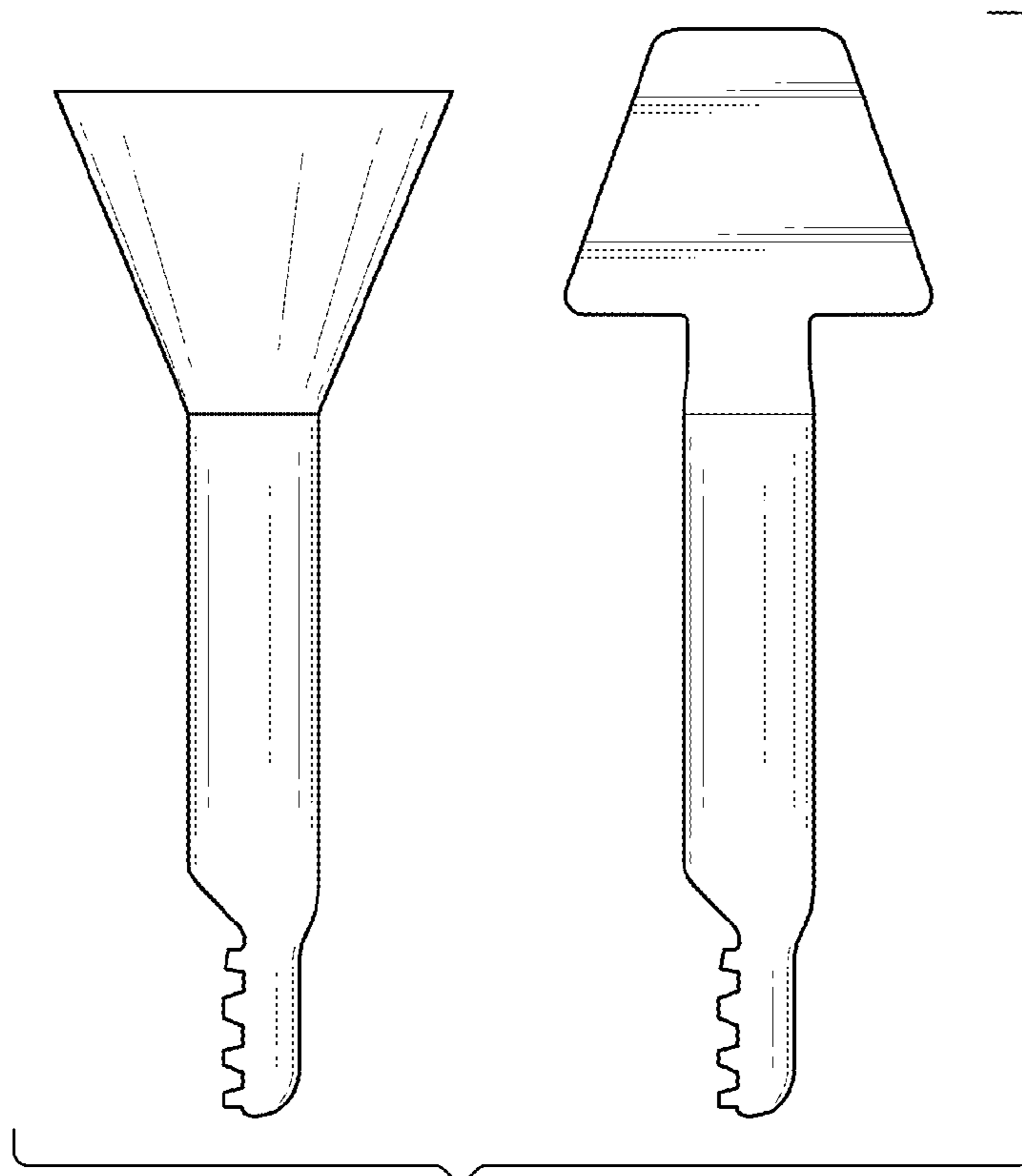


FIG. 3

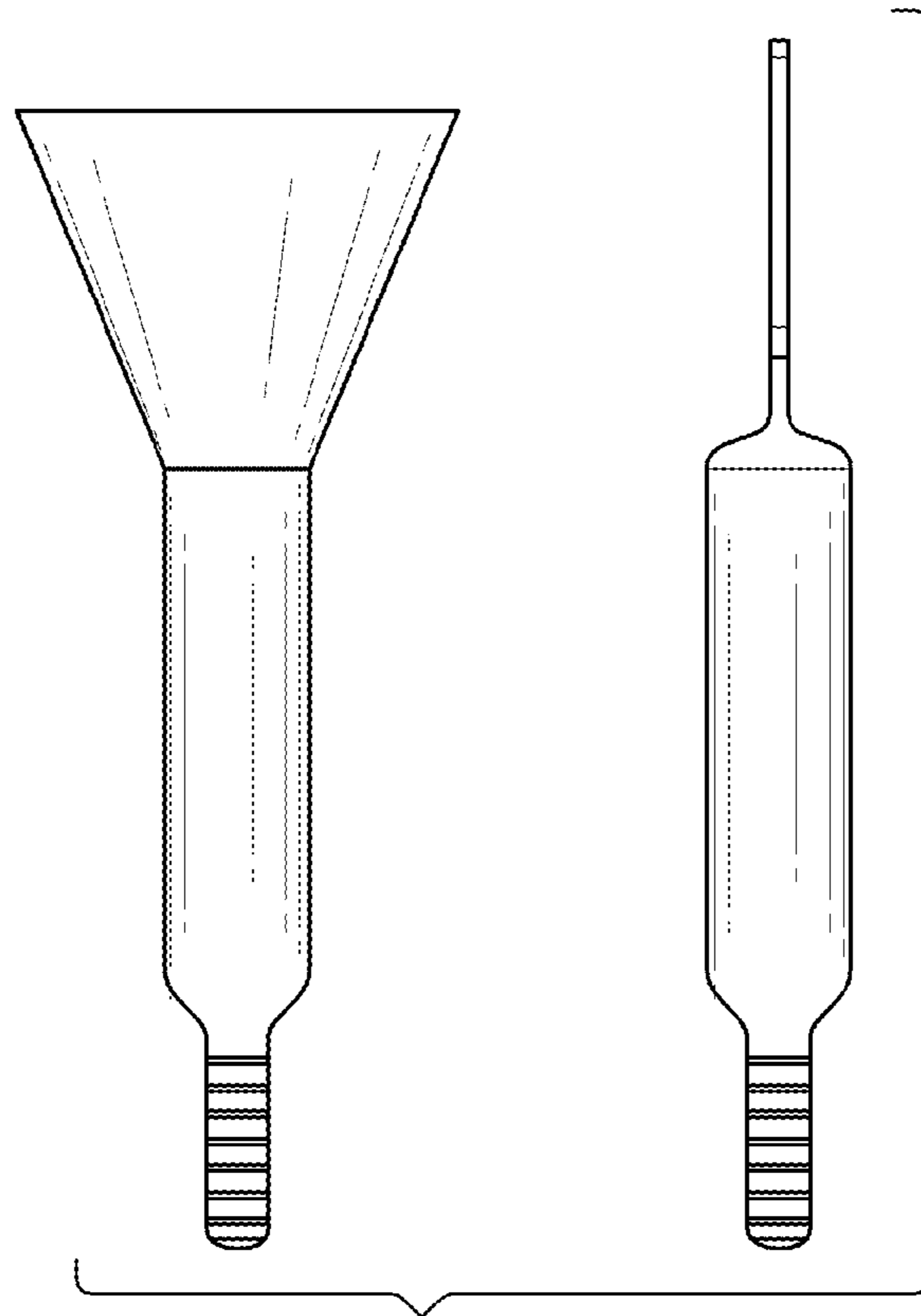


FIG. 4

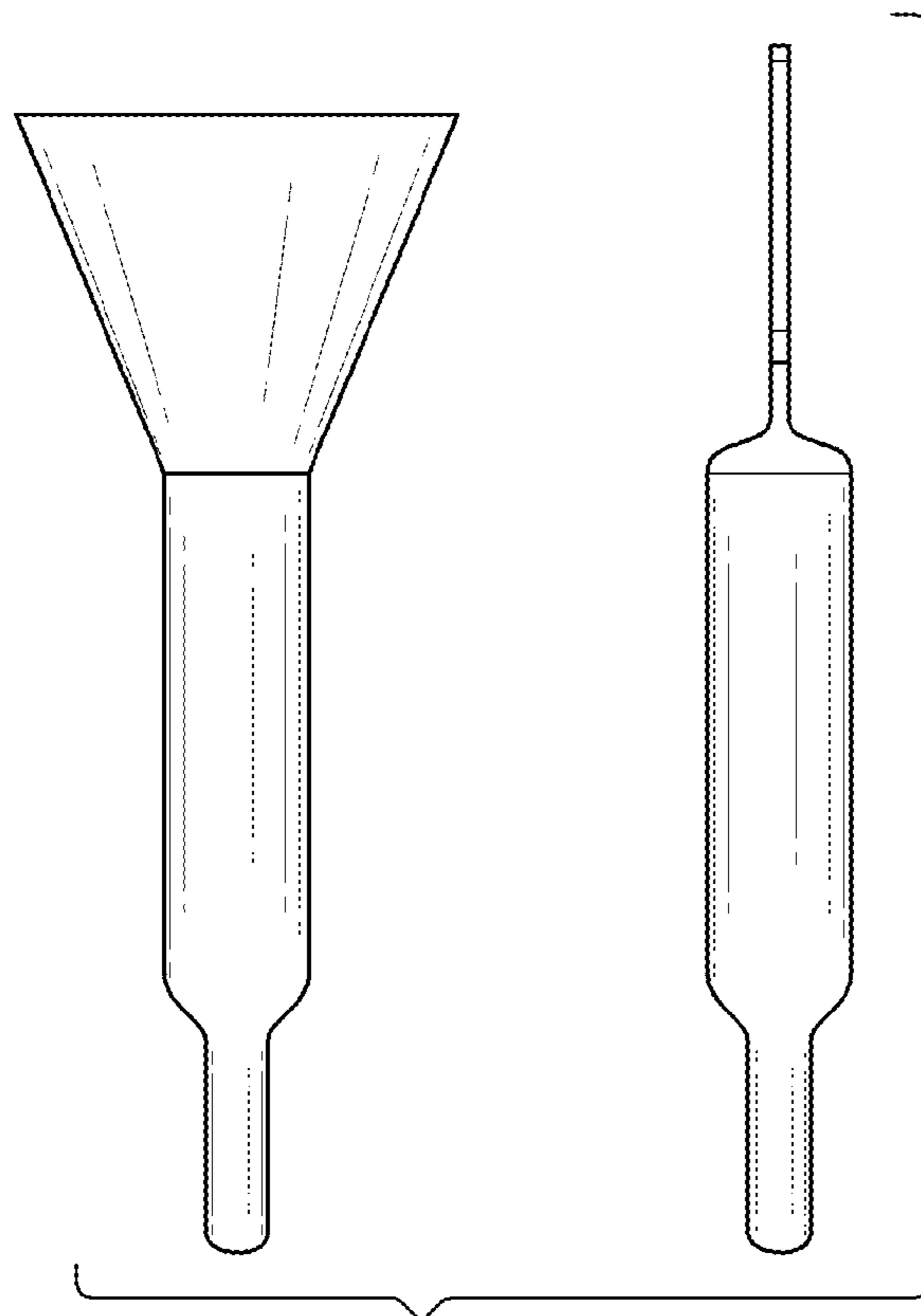


FIG. 5

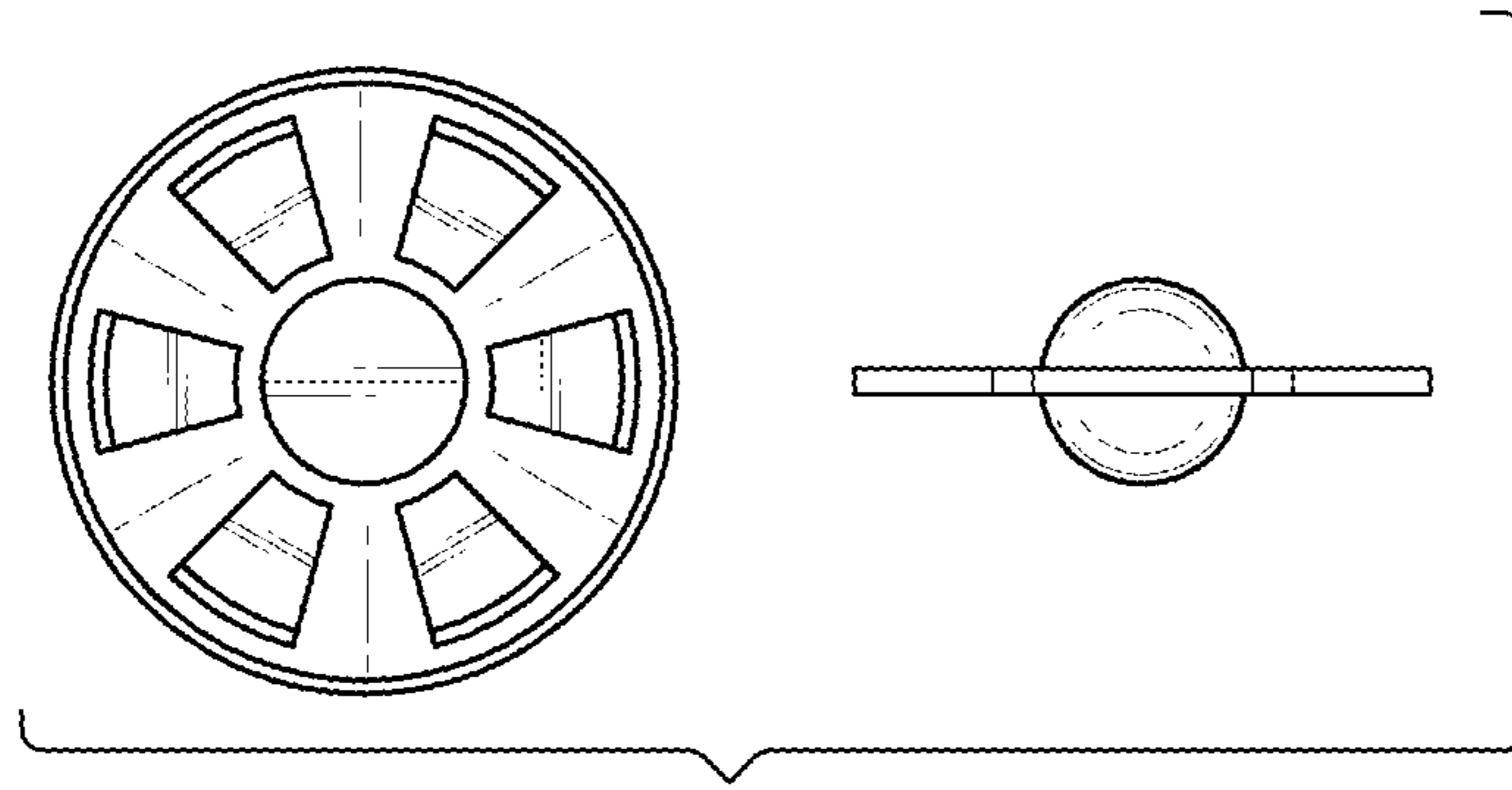


FIG. 6

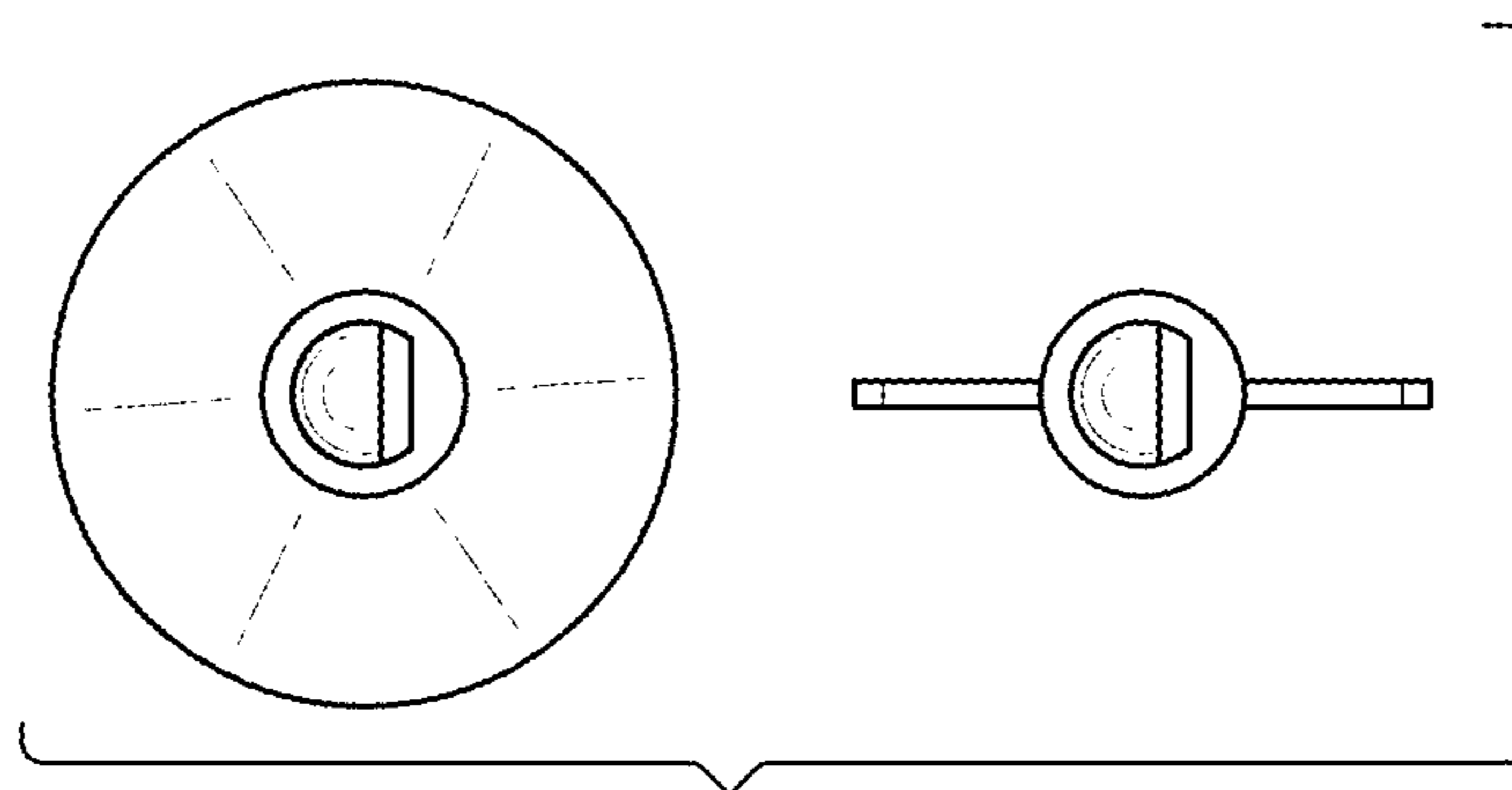


FIG. 7

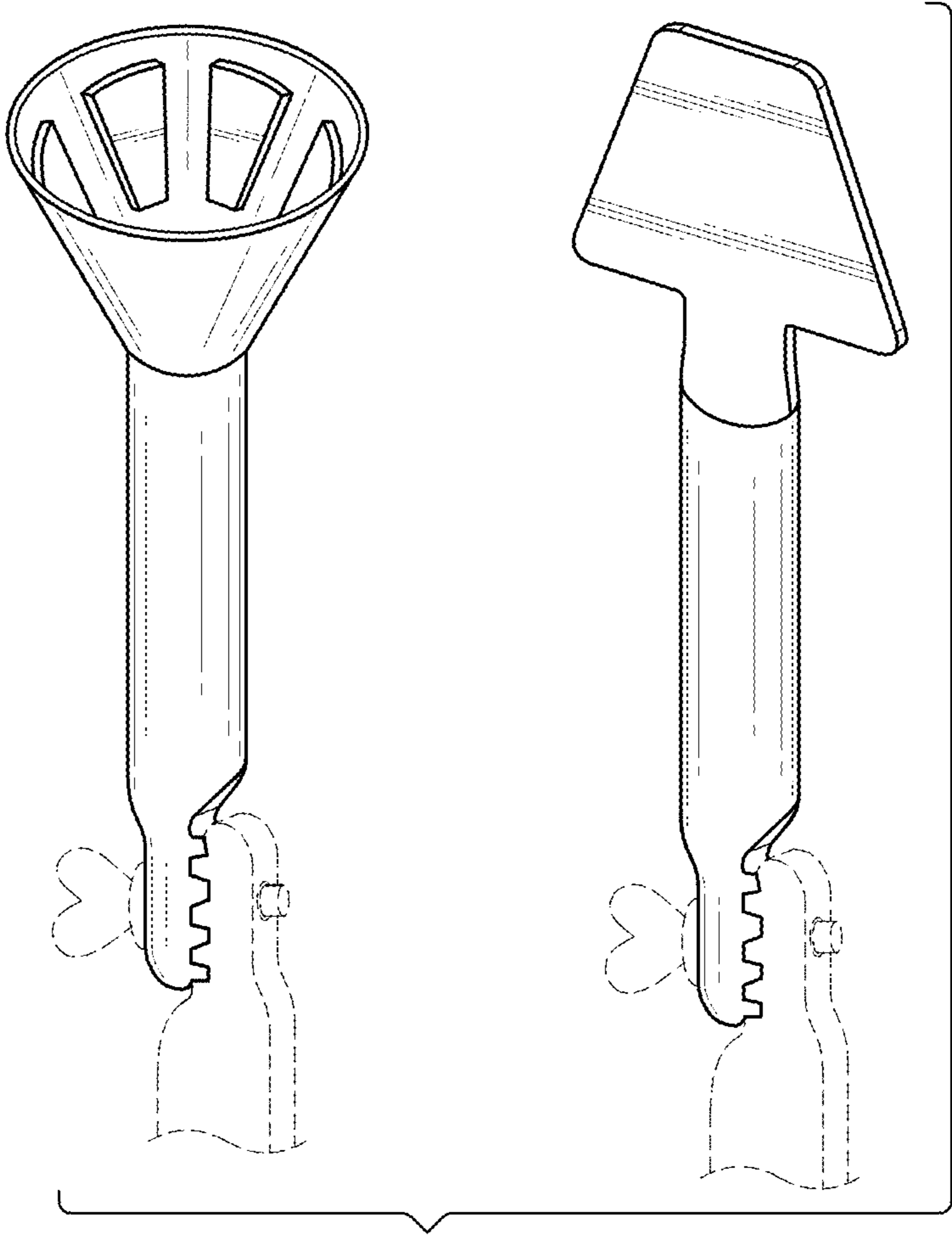


FIG. 8