



US00D988822S

(12) **United States Design Patent** (10) **Patent No.:** **US D988,822 S**  
**Xu** (45) **Date of Patent:** **\*\* Jun. 13, 2023**

(54) **LUNCH BOX**  
(71) Applicant: **Dongguan Oumeng Houseware Products Co., Ltd, Dongguan (CN)**  
(72) Inventor: **Jingsheng Xu, Yueyang (CN)**  
(73) Assignee: **Dongguan Oumeng Houseware Products Co., Ltd, Dongguan (CN)**

D913,758 S \* 3/2021 Diener ..... D7/709  
10,954,055 B2 \* 3/2021 Rogers ..... A45C 7/00  
D946,979 S \* 3/2022 Earle ..... D7/629  
D951,727 S 5/2022 Zhong  
D953,731 S \* 6/2022 Lee ..... D3/203.2  
D957,214 S \* 7/2022 Goldberg ..... D7/703  
D963,437 S \* 9/2022 Lei ..... D7/709  
D974,853 S \* 1/2023 Xu ..... D7/602

(\*\*) Term: **15 Years**

FOREIGN PATENT DOCUMENTS  
CN 302319708 S 2/2013

(21) Appl. No.: **29/820,480**

\* cited by examiner

(22) Filed: **Dec. 22, 2021**

Primary Examiner — Andrew Kerr

(51) **LOC (14) Cl.** ..... **09-07**

(52) **U.S. Cl.**  
USPC ..... **D7/629**

(57) **CLAIM**

(58) **Field of Classification Search**  
USPC ..... D7/602, 609, 629, 630, 701, 703, 709,  
D7/391, 392.1, 397; D9/416, 424, 425,  
D9/426, 430, 432, 435, 761; D19/102,  
D19/106; D3/201, 203.6, 273  
CPC ... B65D 1/26; B65D 1/40; B65D 5/24; B65D  
81/34; B65D 81/3453; B65D 2581/34;  
B65D 2581/3437  
See application file for complete search history.

The ornamental design for a lunch box, as shown and described.

**DESCRIPTION**

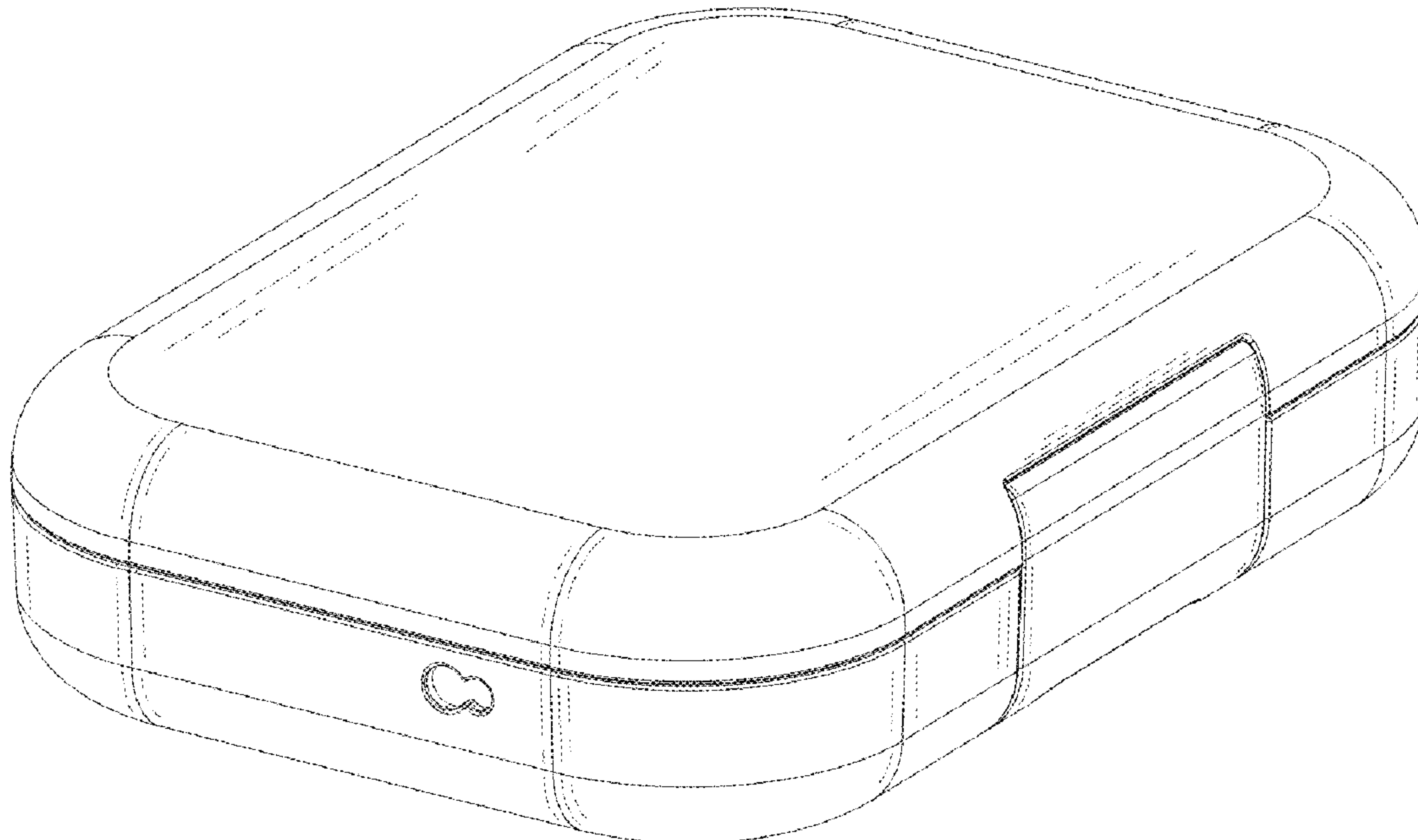
(56) **References Cited**

U.S. PATENT DOCUMENTS

D566,484 S \* 4/2008 George ..... D7/629  
D657,210 S \* 4/2012 Smiedt ..... D3/282  
D682,052 S \* 5/2013 Thomas ..... D7/629  
D763,629 S \* 8/2016 Swartz ..... D7/629  
D880,957 S 4/2020 Xu  
D882,359 S \* 4/2020 Xu ..... D7/709  
D911,117 S \* 2/2021 Xu ..... D7/602  
D911,119 S \* 2/2021 Zhong ..... D7/629

FIG. 1 is a front, left, top perspective view of a lunch box showing my new design;  
FIG. 2 is a back, left, bottom perspective view thereof;  
FIG. 3 is a front view thereof;  
FIG. 4 is a back view thereof;  
FIG. 5 is a left view thereof;  
FIG. 6 is a right view thereof;  
FIG. 7 is a top view thereof;  
FIG. 8 is a bottom view thereof; and,  
FIG. 9 is a front, left, top perspective view thereof shown in a condition of use.  
The broken lines shown on the drawings depict portions of the lunch box that form no part of the claimed design.

**1 Claim, 9 Drawing Sheets**



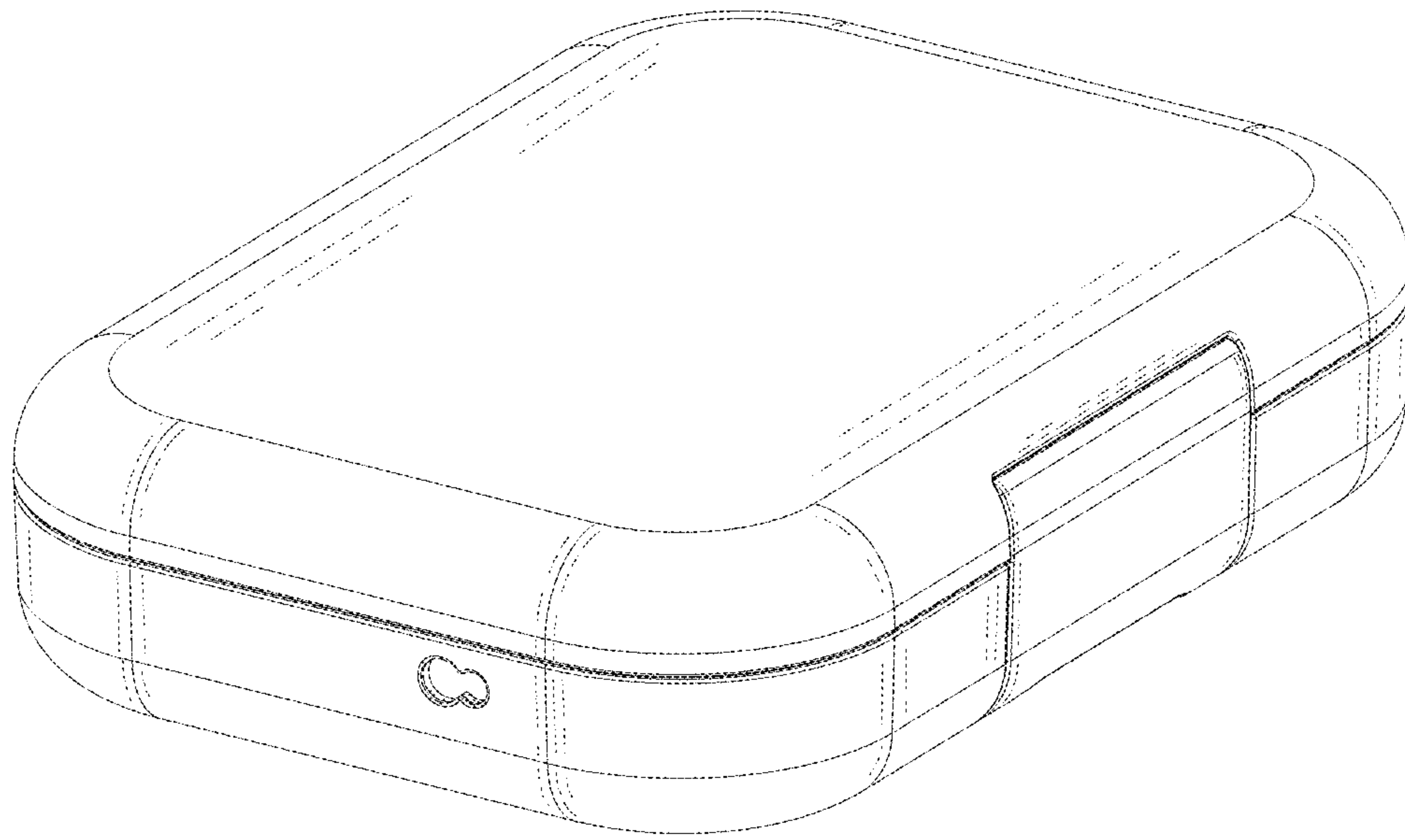


FIG. 1

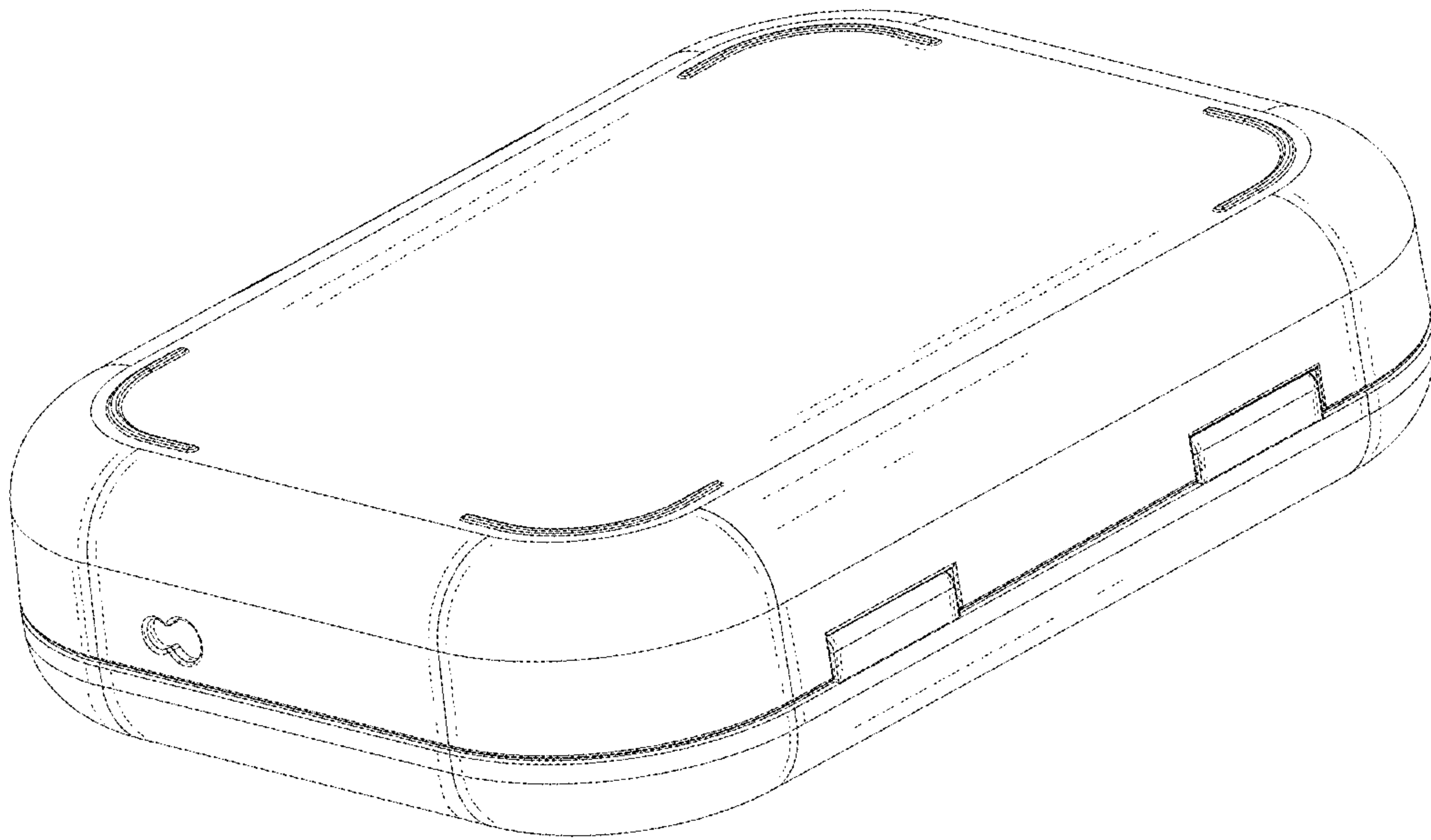


FIG. 2

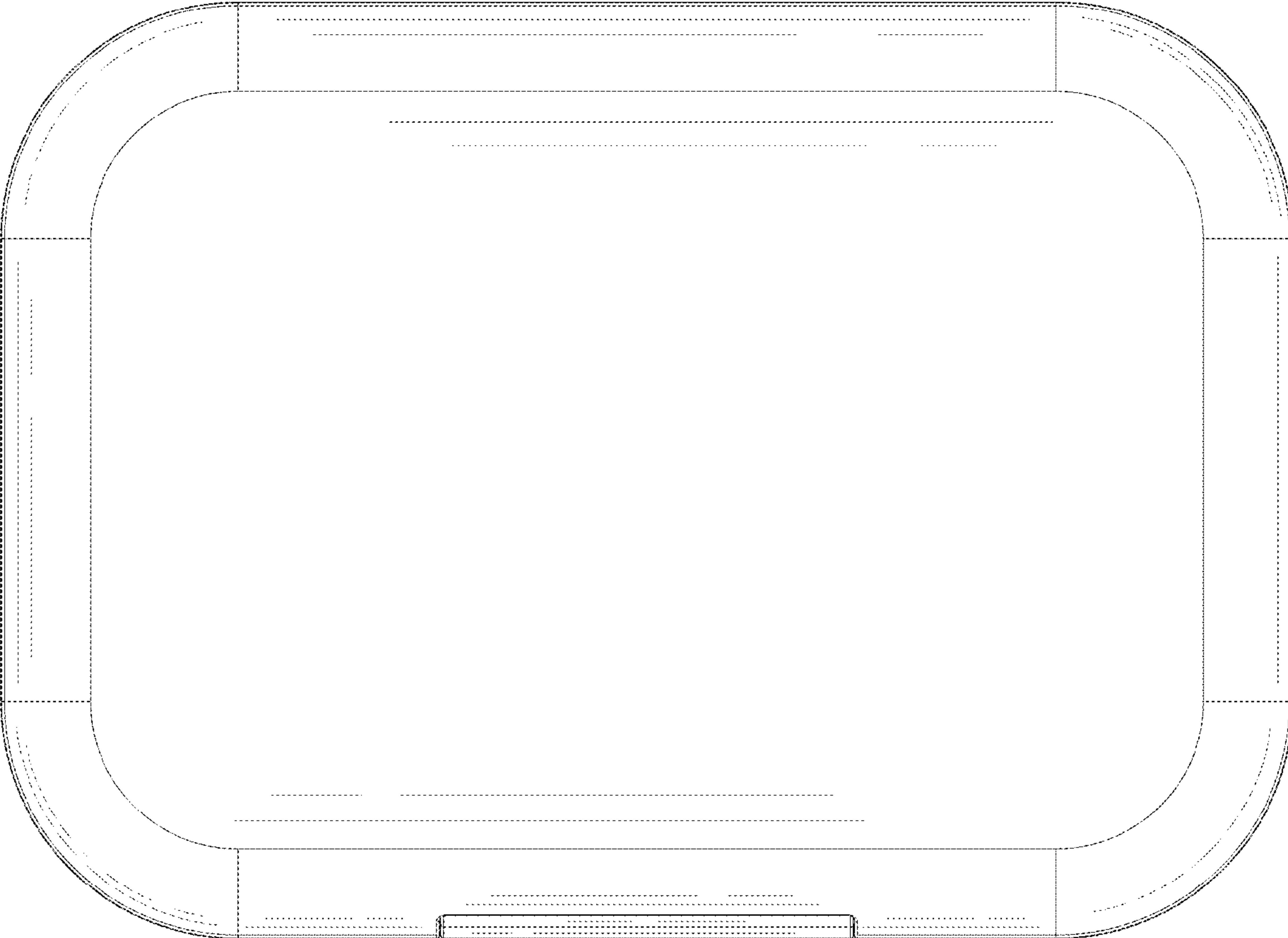


FIG. 3

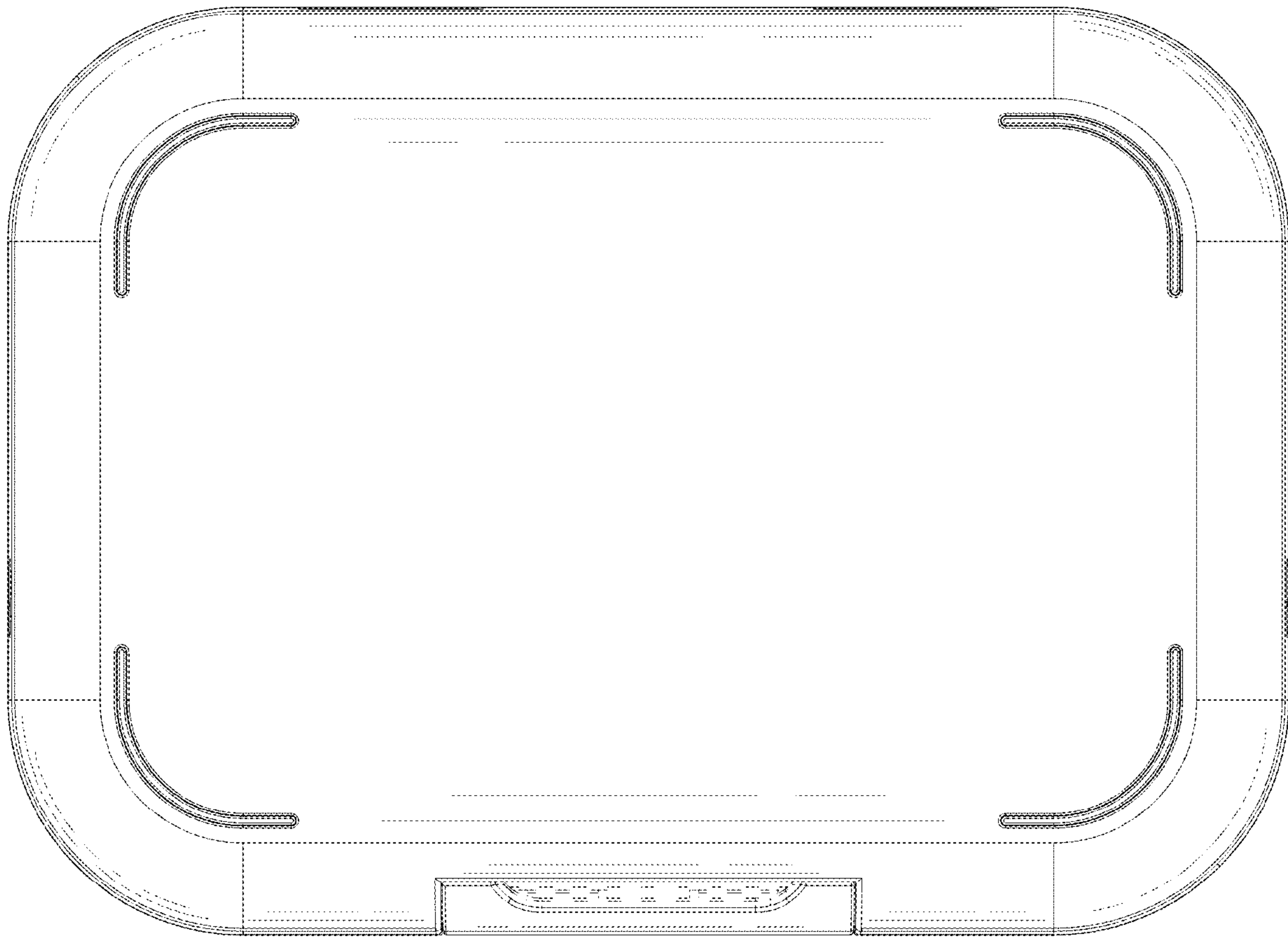


FIG. 4

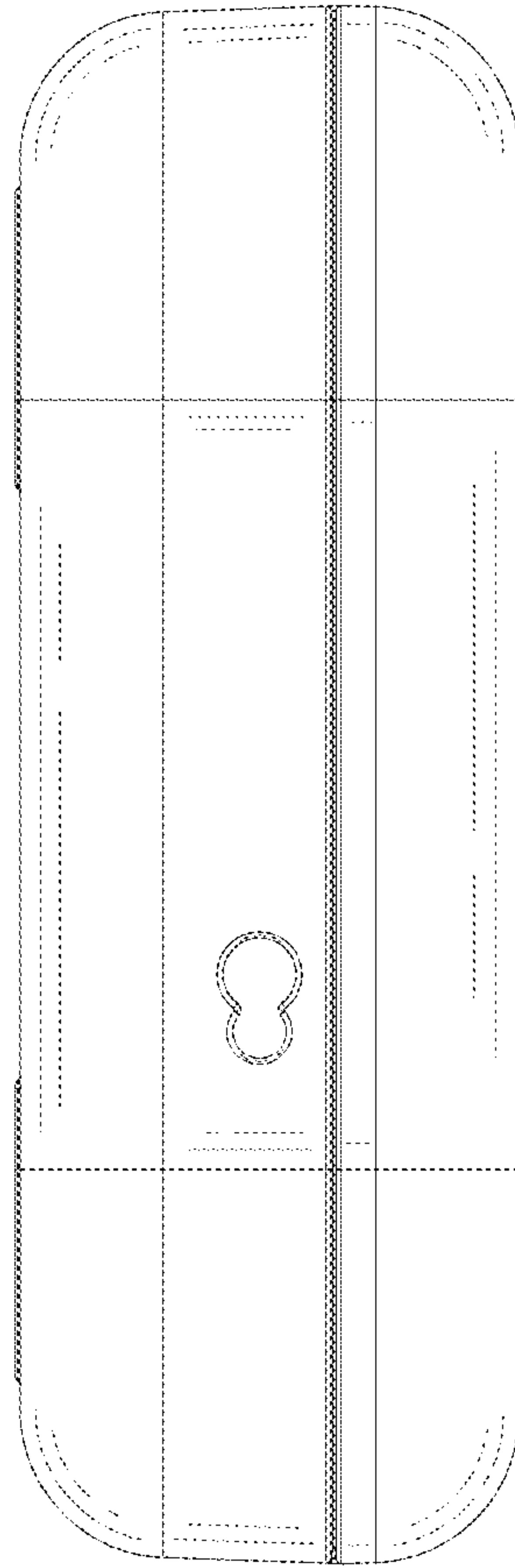


FIG. 5



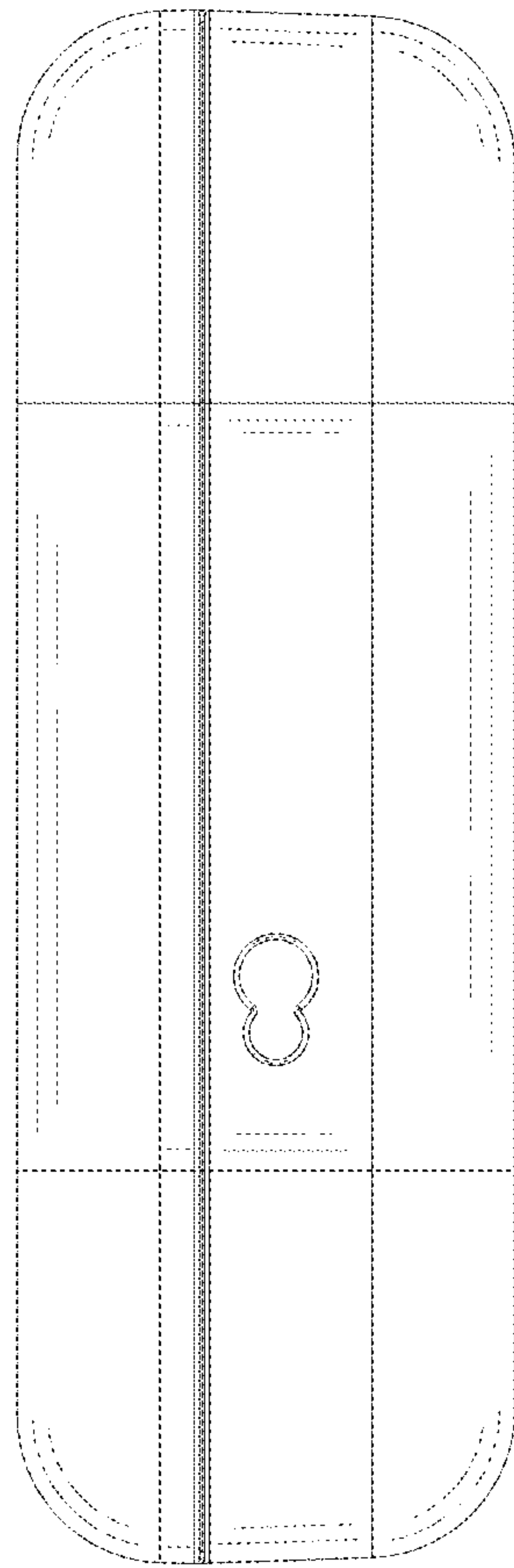


FIG. 6

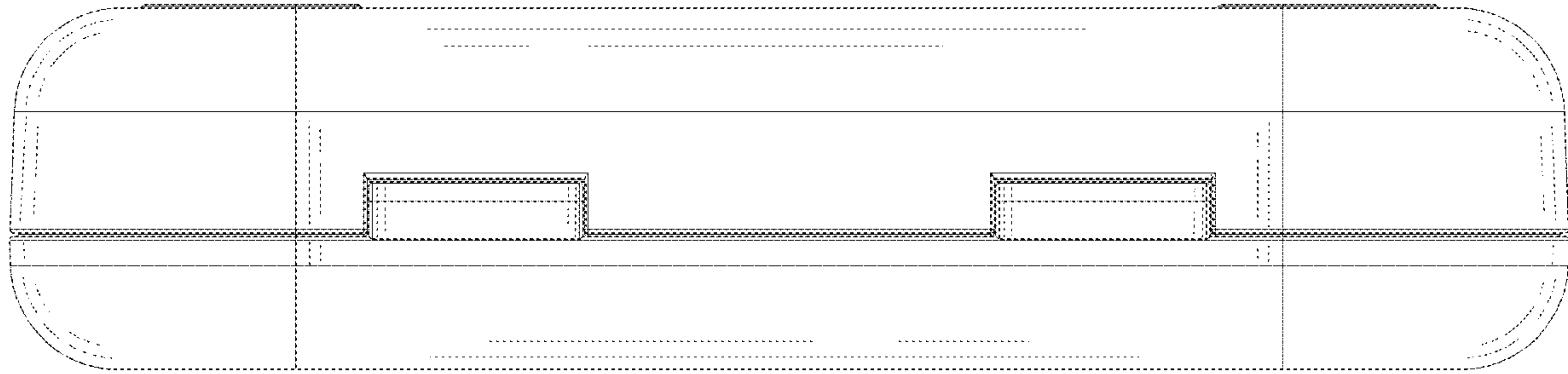


FIG. 7



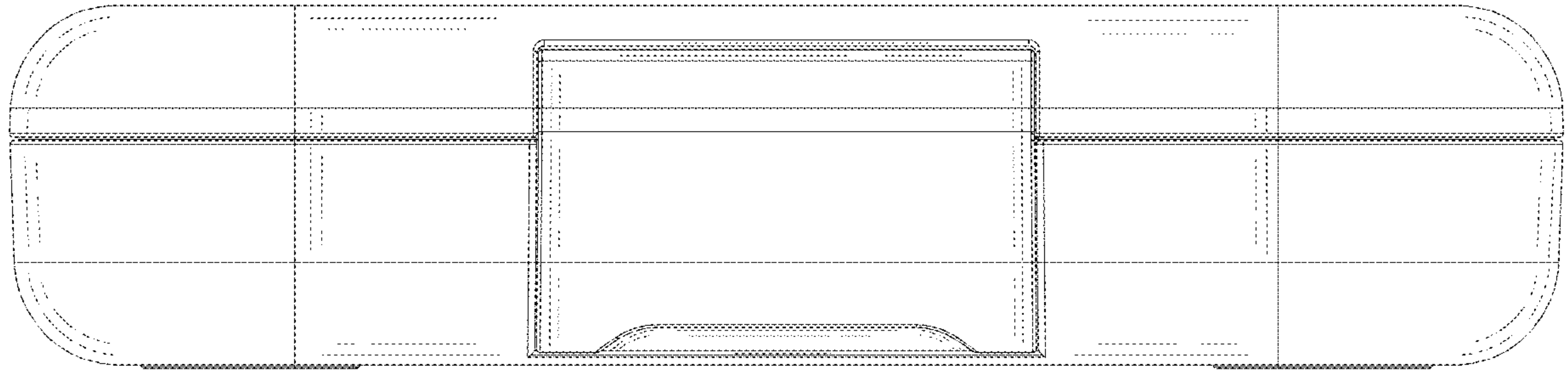


FIG. 8

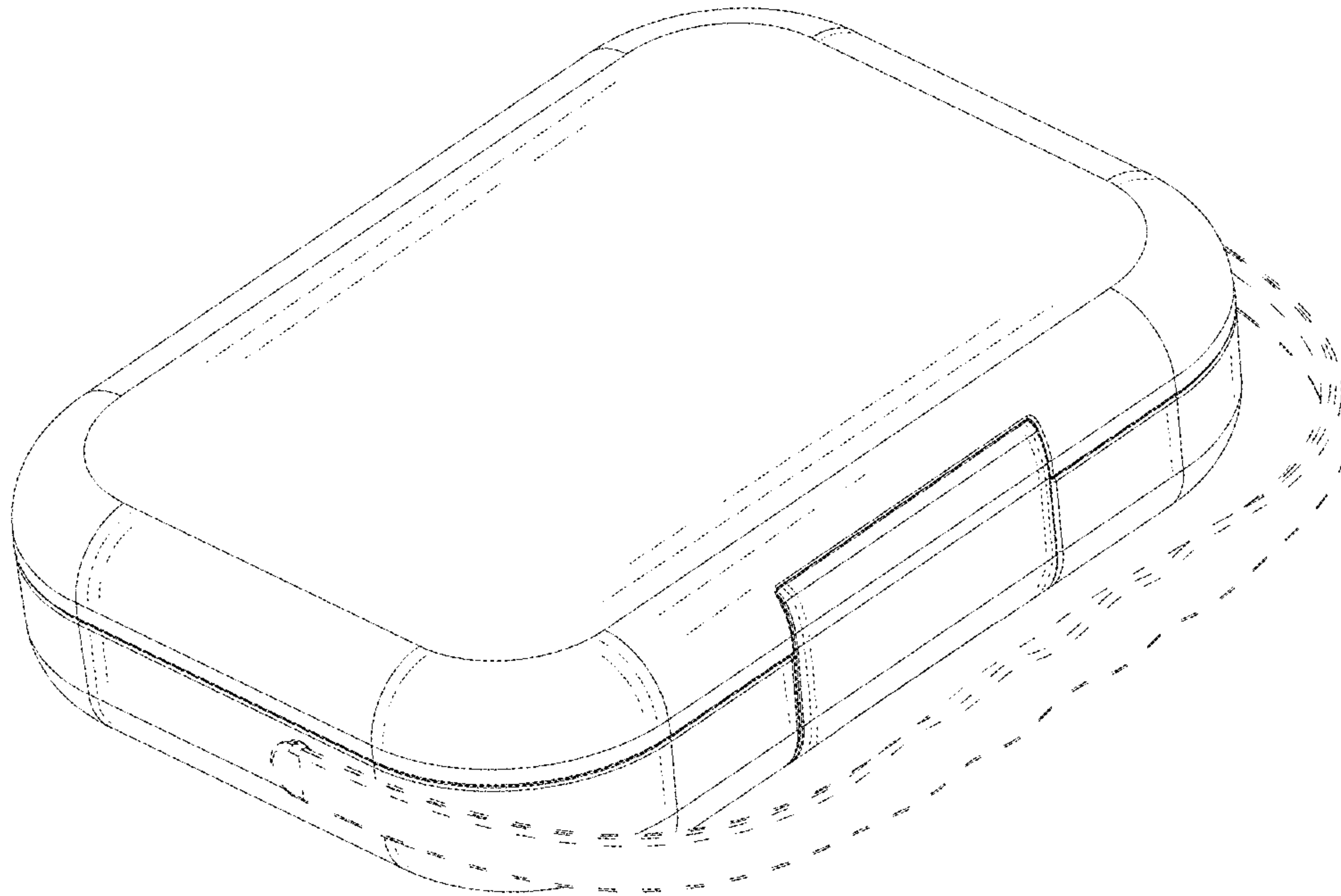


FIG. 9