



US00D988817S

(12) **United States Design Patent**
Liang

(10) **Patent No.:** **US D988,817 S**
(45) **Date of Patent:** **** Jun. 13, 2023**

(54) **SCISSORS**

(71) Applicant: **Bo Liang**, Yangjiang (CN)

(72) Inventor: **Bo Liang**, Yangjiang (CN)

(**) Term: **15 Years**

(21) Appl. No.: **29/769,022**

(22) Filed: **Feb. 3, 2021**

(51) **LOC (14) Cl.** **07-04**

(52) **U.S. Cl.**
USPC **D7/693**; D8/55

(58) **Field of Classification Search**
USPC D8/51-59; D7/672, 673, 674, 693
CPC B26B 13/06; B26B 13/22
See application file for complete search history.

(56) **References Cited**

U.S. PATENT DOCUMENTS

D299,410	S	*	1/1989	Baroni	D8/52
D368,418	S	*	4/1996	Aida	D8/57
D383,958	S	*	9/1997	An	D8/57
5,832,612	A	*	11/1998	Cornell	B26B 13/10 30/260
6,453,560	B1	*	9/2002	Silver	B26B 13/00 30/142
D483,627	S	*	12/2003	Ronan	D8/57
D483,628	S	*	12/2003	Smith	D7/693
D488,963	S	*	4/2004	Silver	D7/693
D503,875	S	*	4/2005	Ronan	D7/693
7,080,455	B1	*	7/2006	Ronan	B26B 1/02 30/146
D564,309	S	*	3/2008	Ronan	D7/696

D625,978	S	*	10/2010	Zeng	D7/693
D633,349	S	*	3/2011	Schmidt	D7/693
D702,521	S	*	4/2014	Jang Soo	D7/693
D830,141	S	*	10/2018	Huang	D7/693

FOREIGN PATENT DOCUMENTS

CN	206383178	U	*	8/2017
CN	207593852	U	*	7/2018
CN	109434882	A	*	3/2019
KR	20180067054	A	*	6/2018

* cited by examiner

Primary Examiner — Deanna L Pratt

(74) *Attorney, Agent, or Firm* — Bayramoglu Law Offices LLC

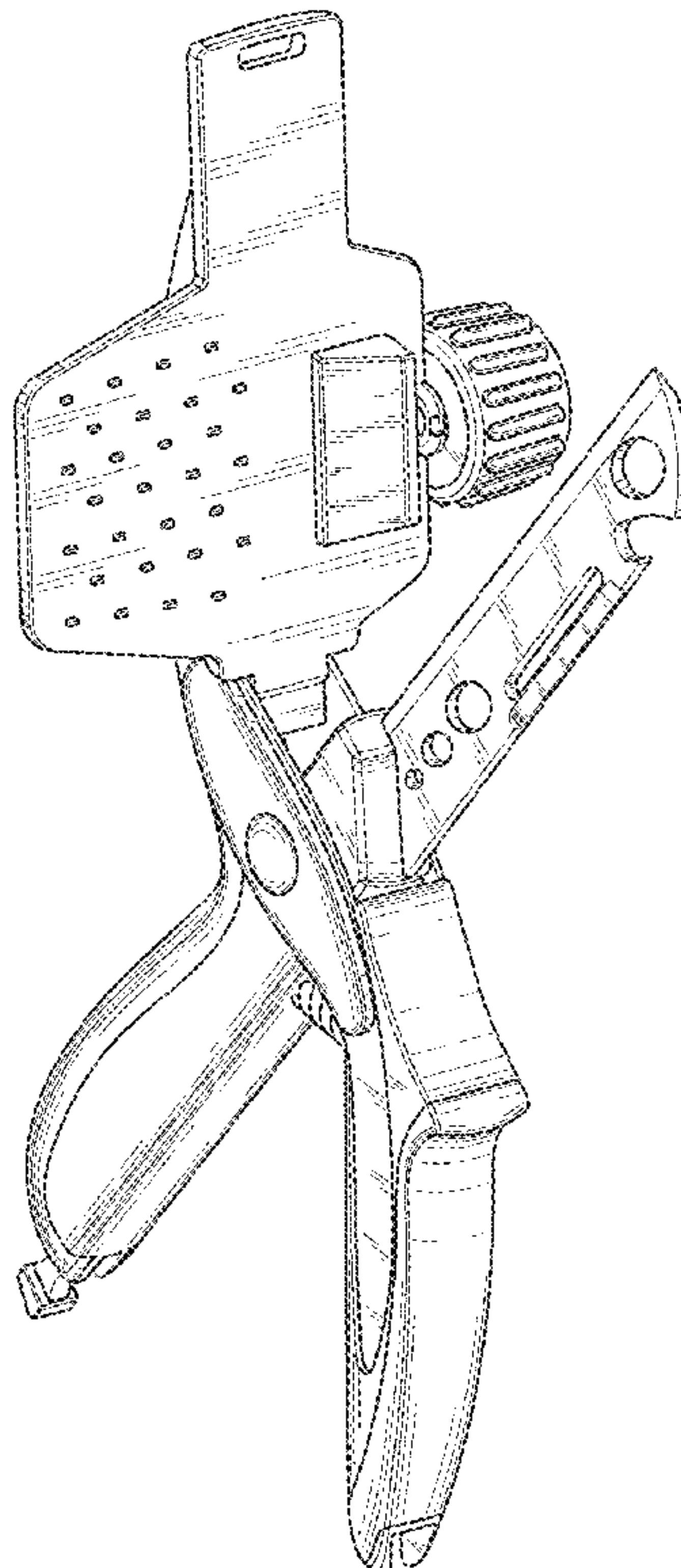
(57) **CLAIM**

The ornamental design for scissors, as shown and described.

DESCRIPTION

FIG. 1 is a front, right and top perspective view of scissors showing my new design;
FIG. 2 is a front view thereof;
FIG. 3 is a rear view thereof;
FIG. 4 is a top view thereof;
FIG. 5 is a bottom view thereof;
FIG. 6 is a right side view thereof;
FIG. 7 is a left side view thereof; and,
FIG. 8 is a rear, left, and bottom perspective view thereof.

1 Claim, 8 Drawing Sheets



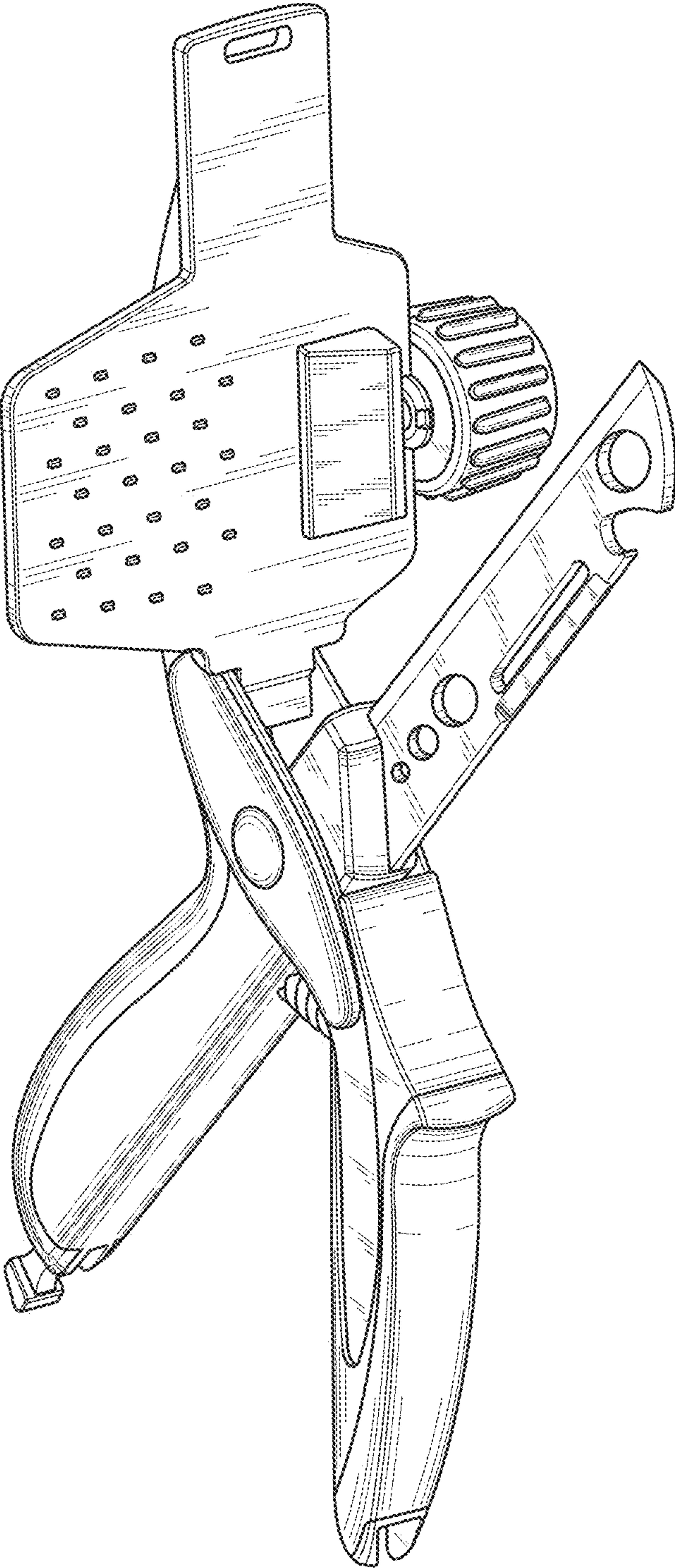


Fig. 1

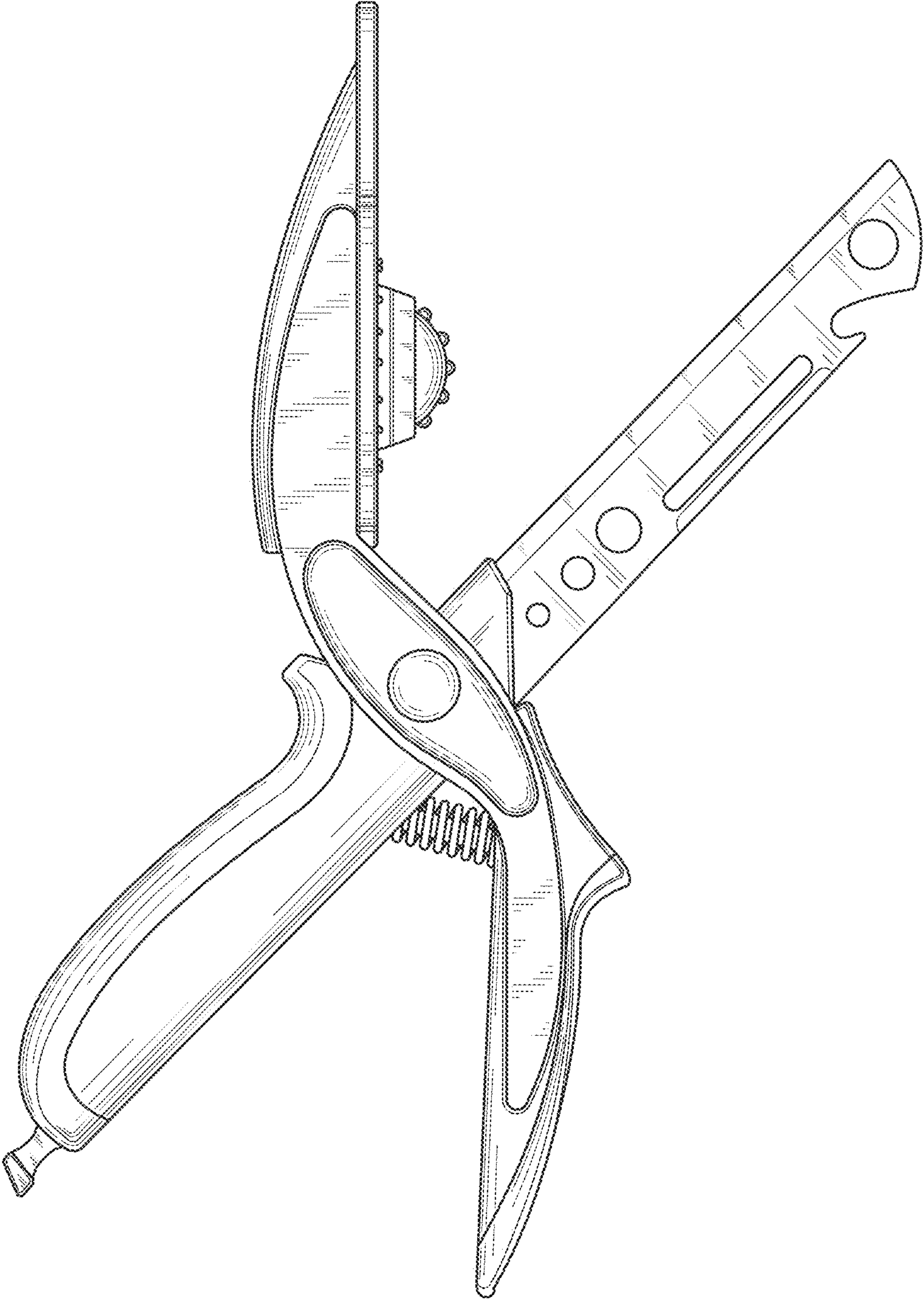


Fig. 2

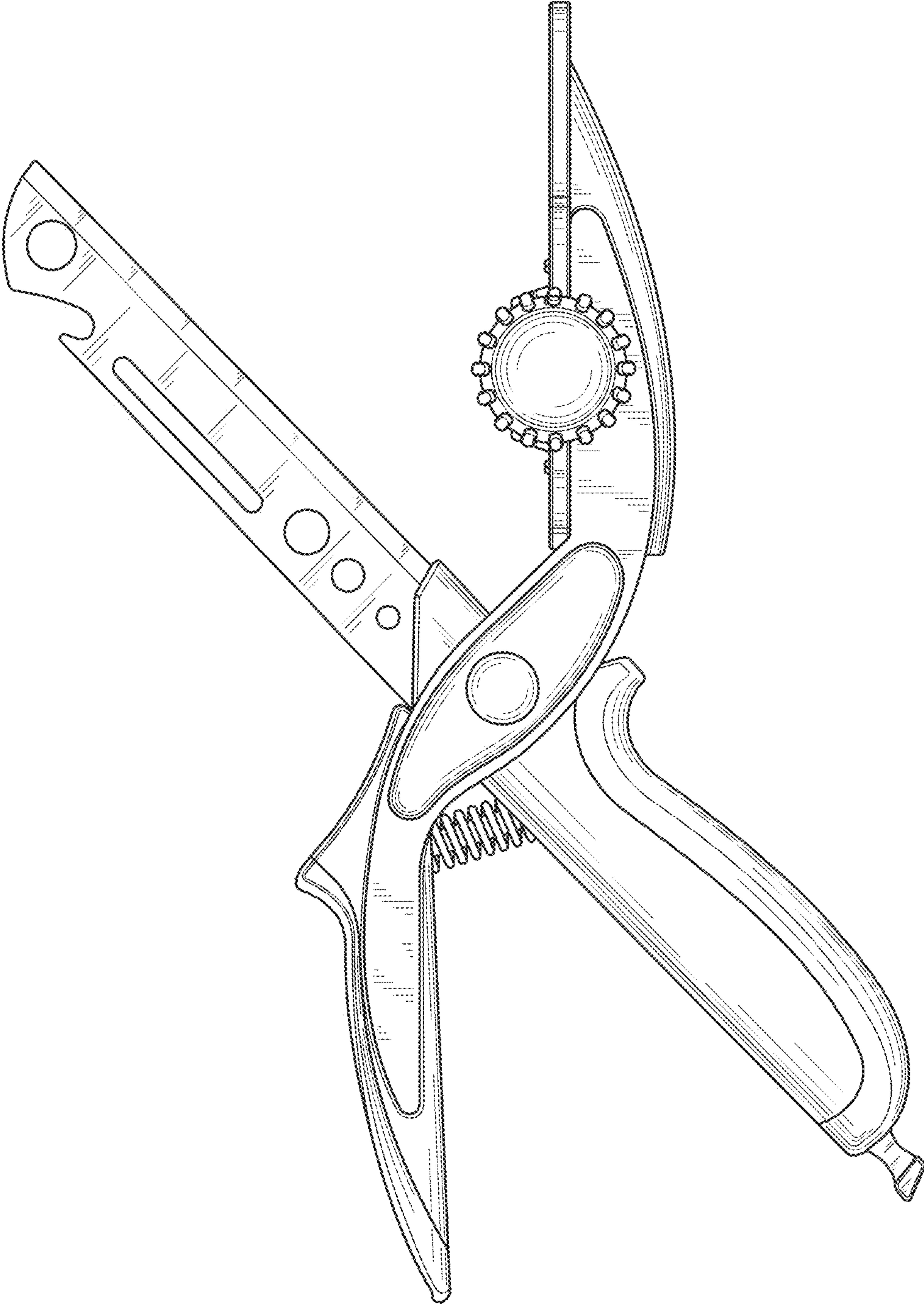


Fig. 3

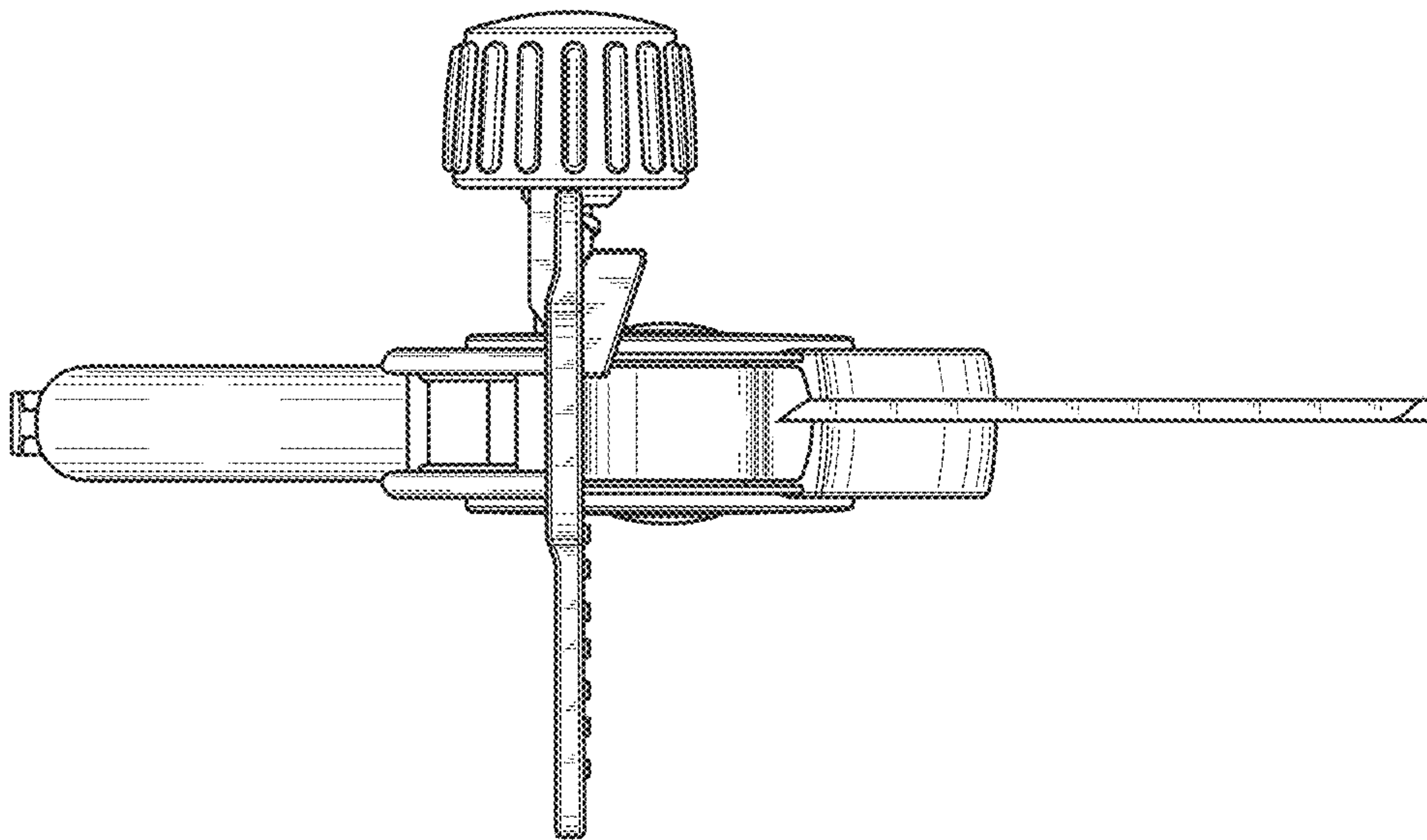


Fig. 4

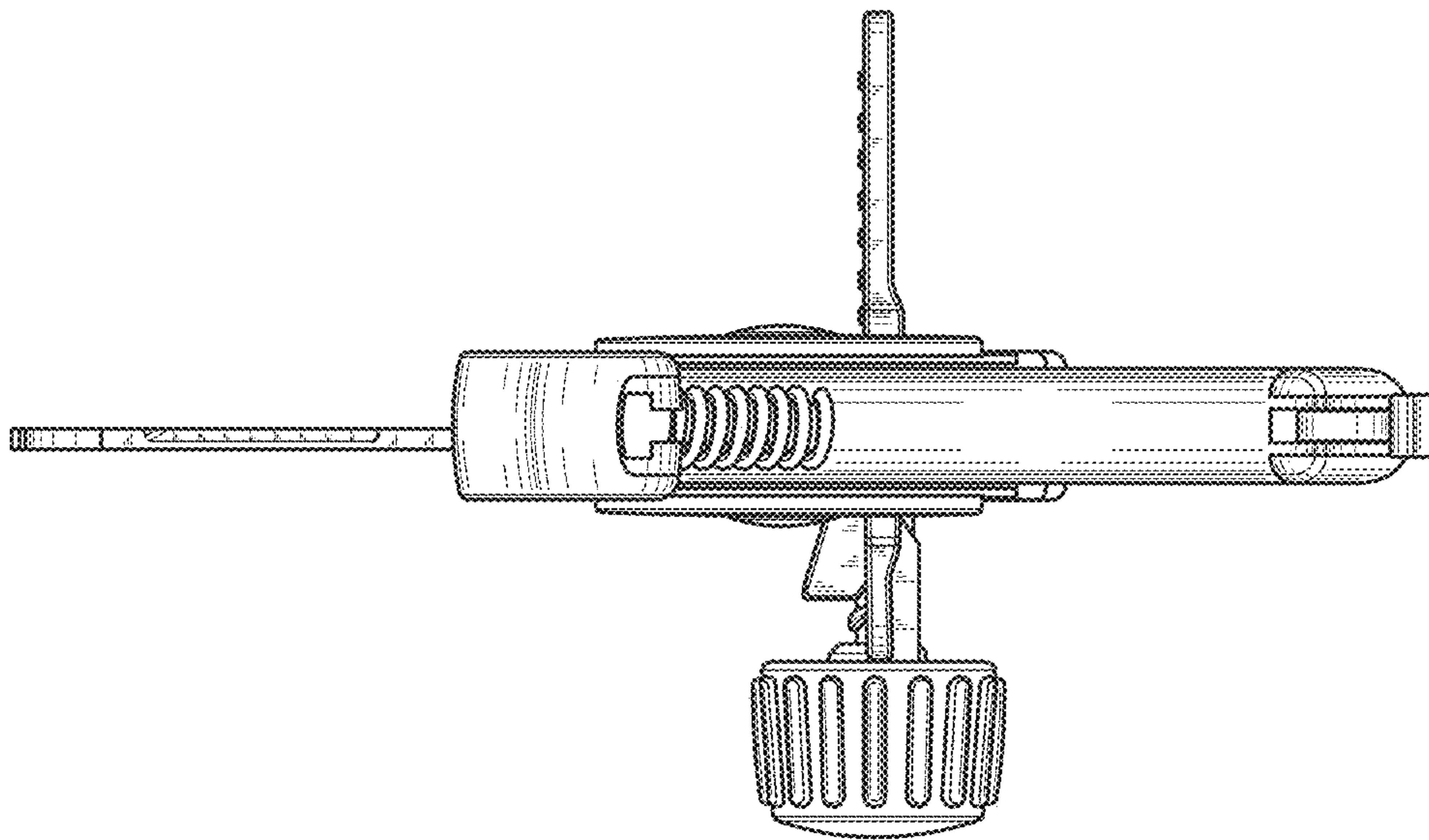


Fig. 5

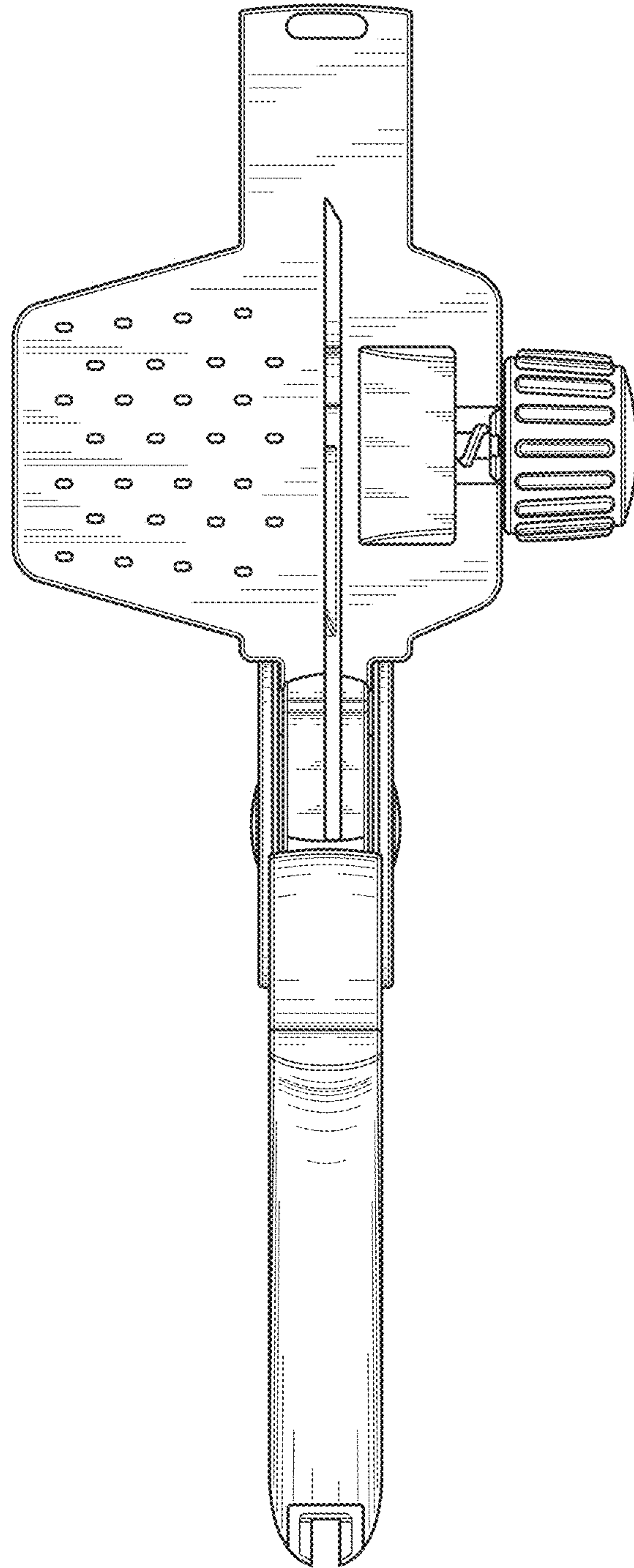


Fig. 6

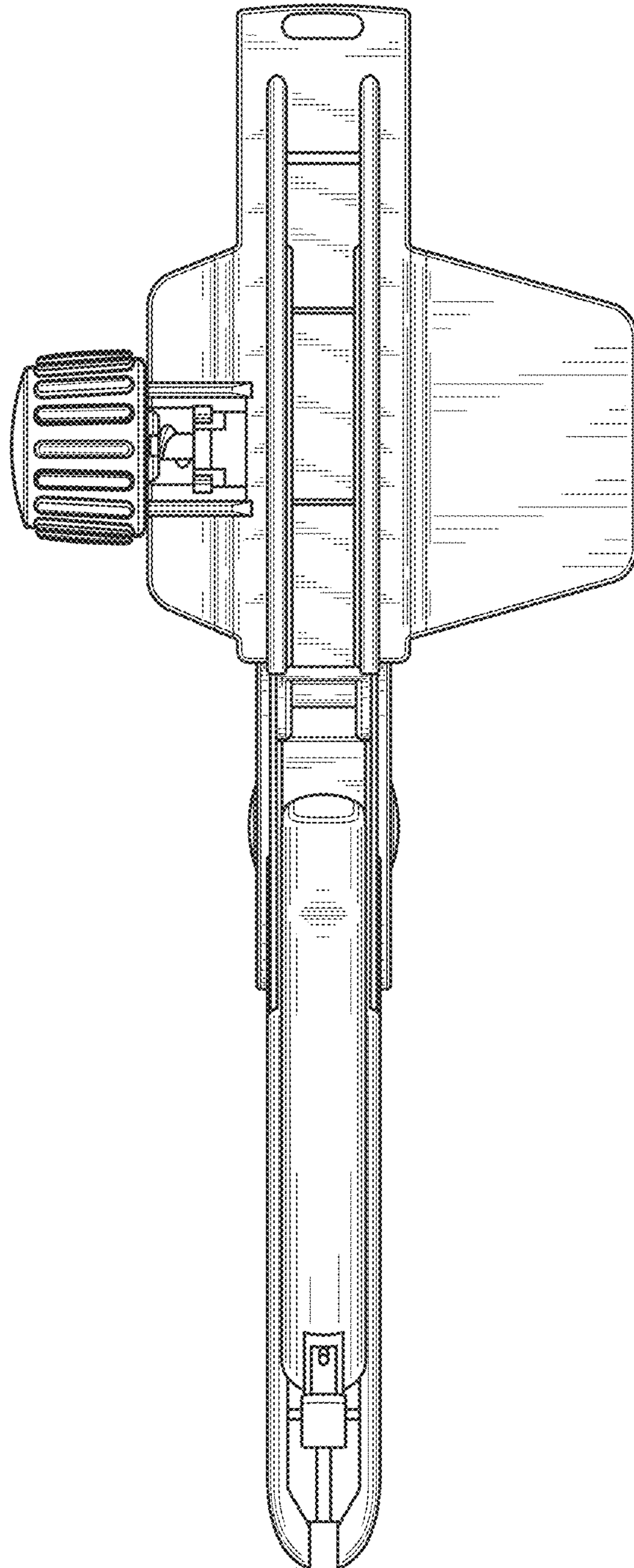


Fig. 7

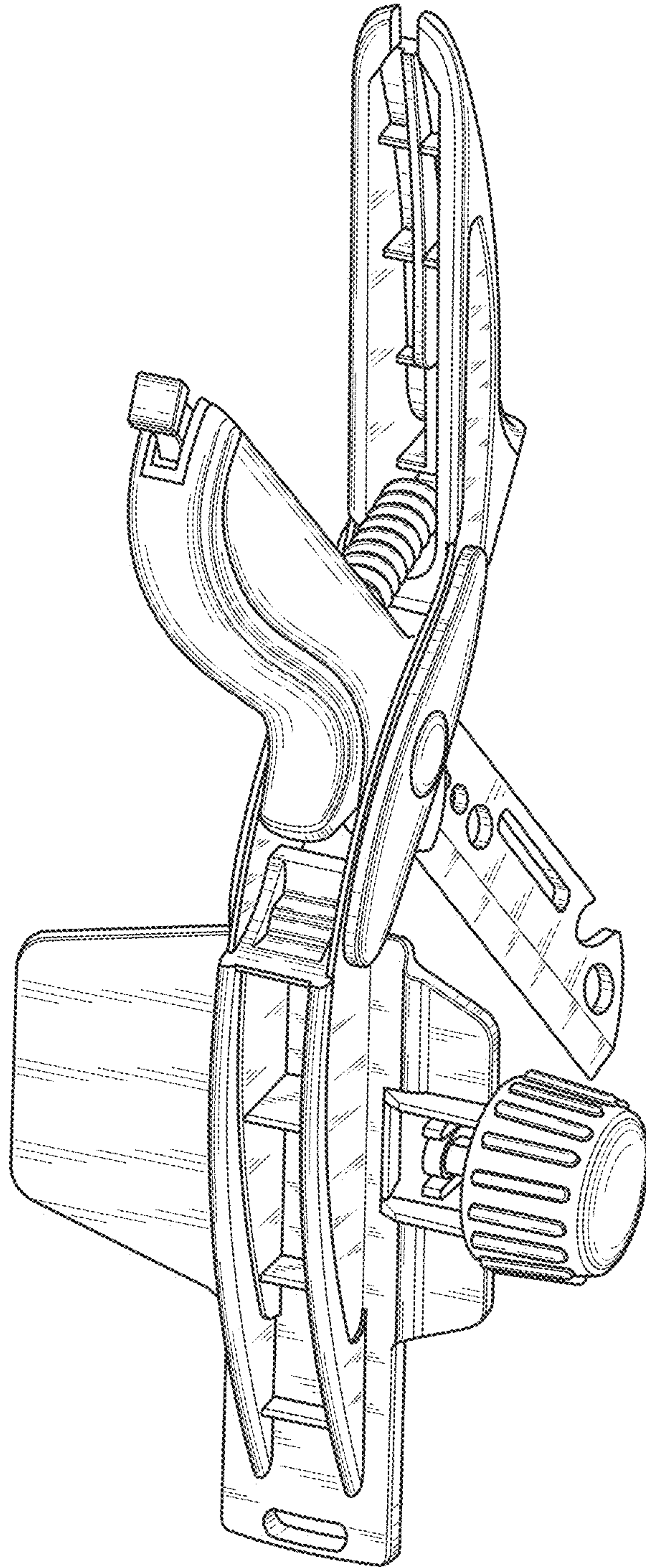


Fig. 8