



US00D988816S

(12) **United States Design Patent** (10) **Patent No.:** **US D988,816 S**  
**Kwon et al.** (45) **Date of Patent:** **\*\* Jun. 13, 2023**

(54) **TONGS** D628,029 S 11/2010 Rothman  
10,188,239 B2 \* 1/2019 Knittig ..... F21L 4/005  
(71) Applicant: **Helen of Troy Limited**, St. Michael D840,773 S 2/2019 Lester  
(BB) 2006/0157996 A1 \* 7/2006 McRorie, III ..... A47G 21/10  
(72) Inventors: **James Kwon**, Williston Park, NY (US); 2008/0054661 A1 \* 3/2008 Schneider ..... A47G 21/10  
**Erik Shewan**, Astoria, NY (US) 2009/0179442 A1 7/2009 Mithal 294/16  
(73) Assignee: **Helen of Troy Limited**, St. Michael (Continued) 294/99.2  
(BB)

FOREIGN PATENT DOCUMENTS

(\*\*) Term: **15 Years** EM 008070320-0001 8/2020  
EM 008072847-0001 8/2020

(21) Appl. No.: **29/809,412**

OTHER PUBLICATIONS

(22) Filed: **Sep. 28, 2021**

(51) **LOC (14) Cl.** ..... **07-06**

Amazon.com, OXO Good Grips Grilling Tools/Tongs, ASIN: B08R6DCX3N, 10 pages, date first available Dec. 22, 2020 (Year: 2020).\*

(52) **U.S. Cl.**

USPC ..... **D7/686**

(Continued)

(58) **Field of Classification Search**

USPC ..... D7/680-696, 393, 395, 368, 669

CPC ..... A47G 21/10; A47J 43/283; A47J 43/28;

A47J 43/00; A47J 43/288; A21C 15/00;

B25B 7/00; B25B 7/02; B25B 7/04;

B25B 9/00; B25B 9/02; B25B 9/04;

A47F 13/00

*Primary Examiner* — Terry A Wallace

(74) *Attorney, Agent, or Firm* — Rankin, Hill & Clark LLP

See application file for complete search history.

(57) **CLAIM**

The ornamental design for a tongs, as shown and described.

(56) **References Cited**

**DESCRIPTION**

U.S. PATENT DOCUMENTS

2,864,645 A 12/1953 Meldrum  
D298,398 S \* 11/1988 Trahar ..... D7/687  
D313,537 S 1/1991 Chisholm  
6,056,338 A 5/2000 Kerr  
D459,954 S 7/2002 Wang  
6,536,819 B2 3/2003 Wang  
6,568,728 B1 5/2003 Wang  
D488,032 S 4/2004 Best  
D496,229 S \* 9/2004 Kaposi ..... D7/686  
6,869,117 B1 3/2005 Blum  
D509,413 S 9/2005 Marsden  
D560,980 S 2/2008 LeGreve  
D610,883 S 3/2010 Blacken

FIG. 1 is a perspective view of a tongs showing our new design;

FIG. 2 is a front elevation view of FIG. 1;

FIG. 3 is a rear elevation view of FIG. 1;

FIG. 4 is a left side elevation view of FIG. 1;

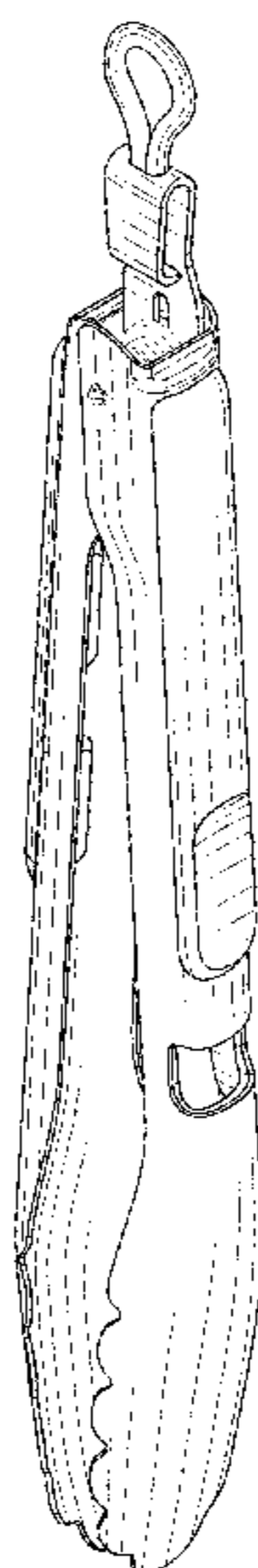
FIG. 5 is a right side elevation view of FIG. 1;

FIG. 6 is a top plan view of FIG. 1; and,

FIG. 7 is a bottom plan view of FIG. 1.

The broken lines in the drawings depict portions of the tongs that form no part of the claimed design.

**1 Claim, 4 Drawing Sheets**



(56)

**References Cited**

U.S. PATENT DOCUMENTS

2009/0284031 A1\* 11/2009 Pavicsits ..... A47J 43/283  
294/99.2  
2014/0319862 A1 10/2014 Ho  
2018/0360273 A1 12/2018 Bergin

OTHER PUBLICATIONS

Amazon.com, OXO Outdoor 10.5 inch SS Tongs with Bottle Opener, ASIN: B0BS4LKD82, 8 pages, date retrieved Mar. 23, 2023 (Year: 2023).\*

OXO Good Grips "9 tongs" [online], publicly available prior to Sep. 28, 2021. [Retrieved from the Internet Sep. 28, 2021] <URL:https://www.oxo.com/categories/cooking-and-baking/utensils/forks-tongs/9-tongs.html.

OXO Good Grips Tongs with Built-In Bottle Opener [online], publicly available prior to Sep. 28, 2021. [Retrieved from the Internet Sep. 28, 2021] <URL: https://www.oxo.com/categories/cooking-and-baking/utensils/grilling-tongs-with-built-in-bottle-opener.html.

OXO Good Grips 9" Tons With Nylon Heads [online], publicly available prior to Sep. 28, 2021. [Retrieved from the Internet Sep. 28, 2021] <URL:https://www.oxo.com/categories/cooking-and-baking/utensils/forks-tongs/9-tongs-with-nylon-heads.html.

OXO Good Grips 9" Tongs With Silicone Heads [online], publicly available prior to Sep. 28, 2021. [Retrieved from the Internet Sep. 28, 2021] <URL:https://www.oxo.com/categories/cooking-and-baking/utensils/forks-tongs/9-tongs-with-silicone-heads.html.

\* cited by examiner

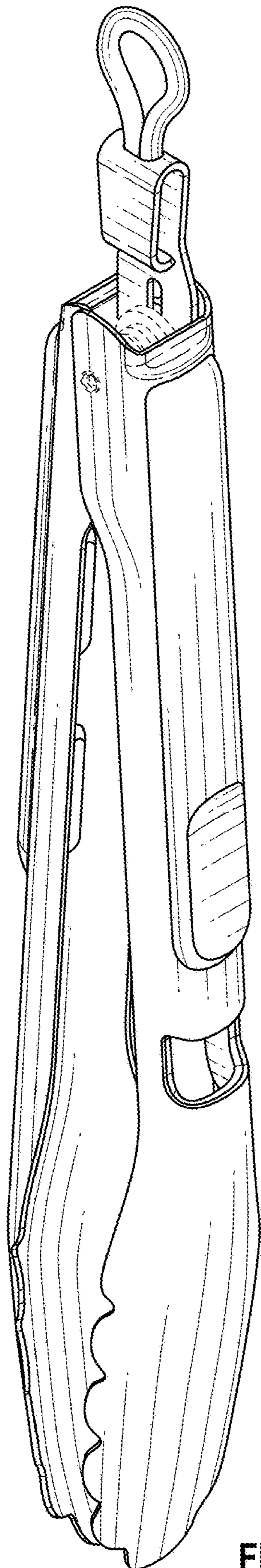


FIG. 1

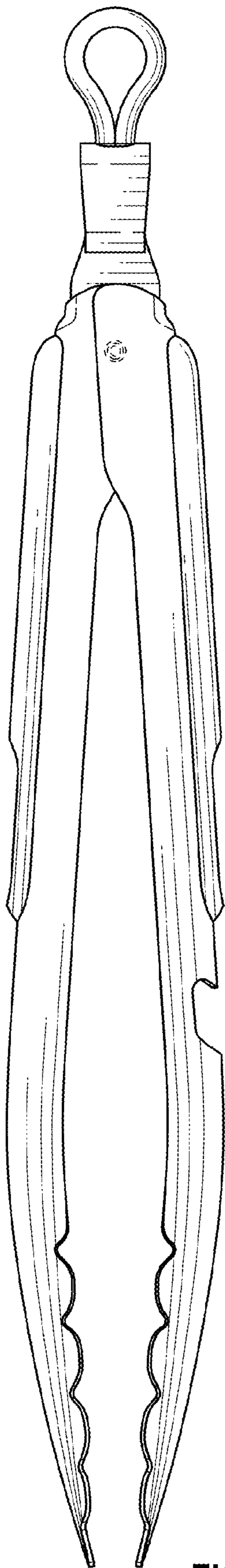


FIG. 2



FIG. 3

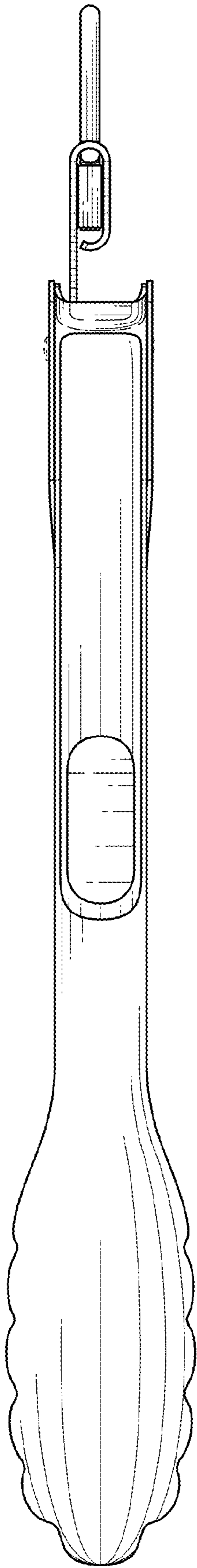


FIG. 4

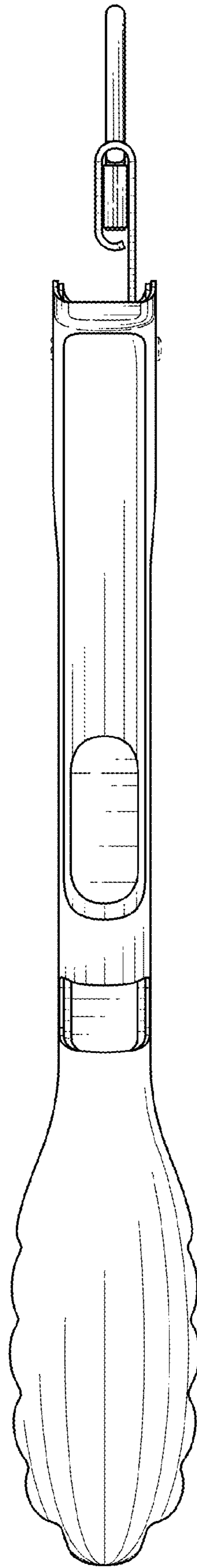


FIG. 5

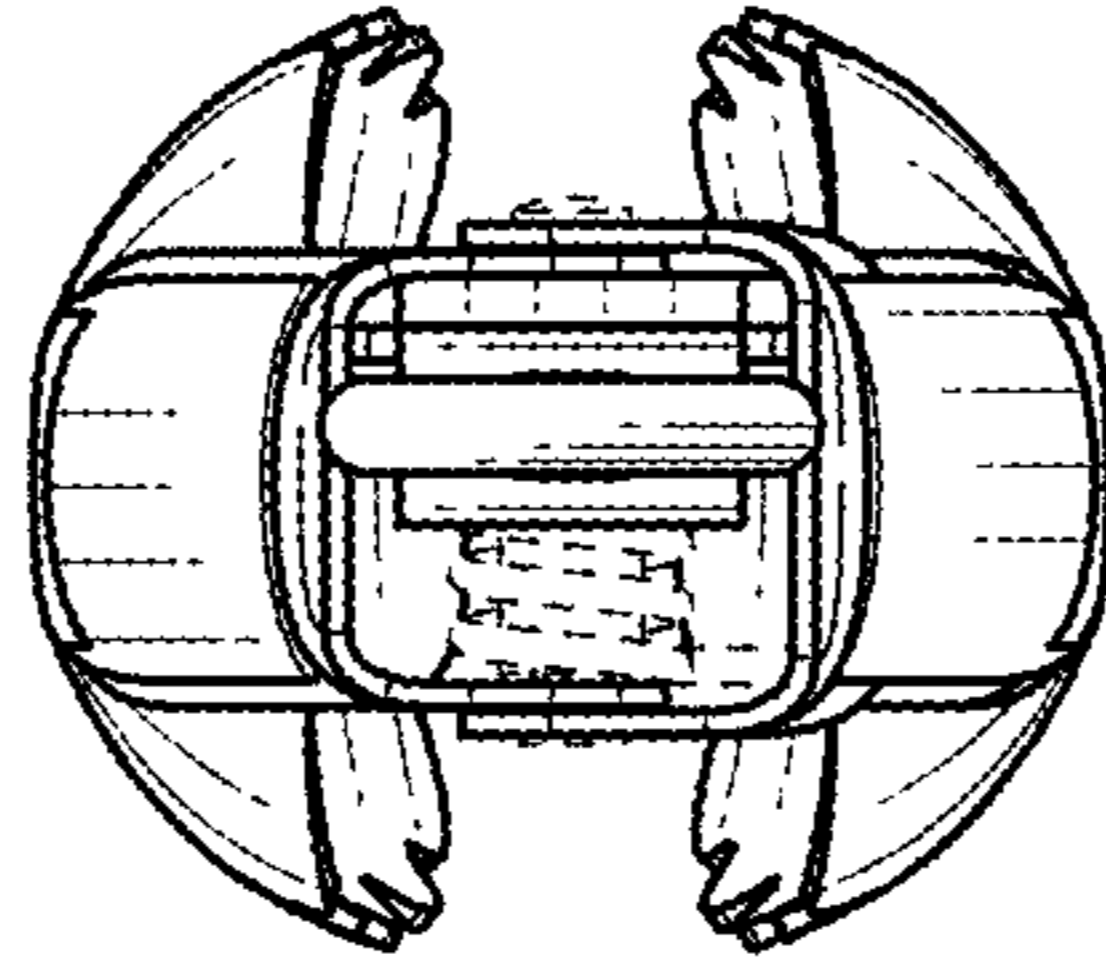


FIG. 6

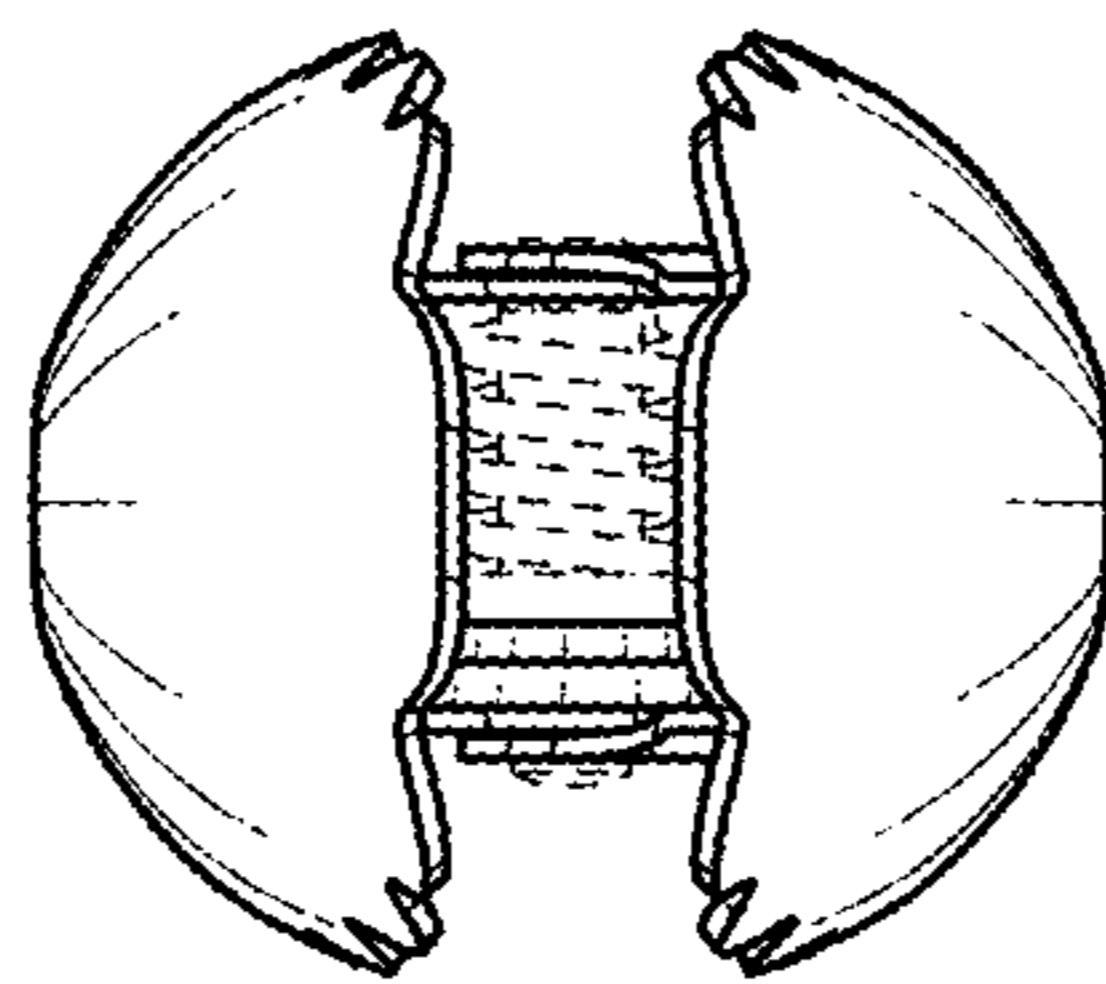


FIG. 7