



US00D988815S

(12) **United States Design Patent**  
**Bacher et al.**

(10) **Patent No.:** **US D988,815 S**  
(45) **Date of Patent:** **\*\* Jun. 13, 2023**

(54) **EATING UTENSIL**

(71) Applicant: **MASONTOPS, INC.**, Toronto (CA)

(72) Inventors: **Michael Bacher**, Toronto (CA); **Philip Baron**, Toronto (CA); **Brett Molnar**, Toronto (CA)

(73) Assignee: **MASONTOPS IP HOLDINGS, INC.**

(\*\*) Term: **15 Years**

(21) Appl. No.: **29/799,852**

(22) Filed: **Jul. 16, 2021**

(51) **LOC (14) Cl.** ..... **07-03**

(52) **U.S. Cl.**  
USPC ..... **D7/655; D7/653; D7/654**

(58) **Field of Classification Search**  
USPC ..... D7/653, 654, 655, 642  
CPC ..... A47G 21/00; A47G 21/023; A47G 21/04;  
A01K 13/002; A01G 9/122; A01G 9/0291  
See application file for complete search history.

(56) **References Cited**

**U.S. PATENT DOCUMENTS**

D166,914 S	6/1952	Hepner	
D172,480 S	6/1954	Silletti	
2,732,187 A	1/1956	Benedetto	
D193,018 S	6/1962	Larsen	
D231,721 S *	6/1974	Pearson	D7/655
D234,287 S	2/1975	Pearson	
3,968,591 A	7/1976	Pearson	
D257,757 S	1/1981	Acker	
D302,090 S	7/1989	Bergman	
D302,091 S	7/1989	Bergman	
D302,510 S *	8/1989	Bergman	D7/655
D310,944 S	10/1990	Lutzker	
D341,754 S *	11/1993	Marsten	D7/642
5,655,303 A	8/1997	Janczak	
D404,260 S *	1/1999	Lake	D7/655
D404,261 S	1/1999	Lake et al.	

D407,274 S 3/1999 Lake et al.  
D432,358 S 10/2000 Natale  
D437,740 S 2/2001 Manion et al.  
(Continued)

**FOREIGN PATENT DOCUMENTS**

CN 305232240 \* 6/2019  
CN 305888749 \* 6/2020  
(Continued)

**OTHER PUBLICATIONS**

Matchbox Dump Truck, Jul. 1, 2018, [https://www.amazon.com/Matchbox-FGN87-Sand-Truck/dp/B01MYVJ9ZH/ref=sr\\_1\\_36?crd=GN5QGEQVXNU1&keywords=toy+plow+matchbox&qid=1669403300&sprefix=toy+plow+matchbox%2Caps%2C57&sr=8-36](https://www.amazon.com/Matchbox-FGN87-Sand-Truck/dp/B01MYVJ9ZH/ref=sr_1_36?crd=GN5QGEQVXNU1&keywords=toy+plow+matchbox&qid=1669403300&sprefix=toy+plow+matchbox%2Caps%2C57&sr=8-36) (Year: 2018).\*

(Continued)

*Primary Examiner* — Christian P. Mclean  
*Assistant Examiner* — Nader Abadir  
(74) *Attorney, Agent, or Firm* — McAndrews, Held & Malloy, Ltd.

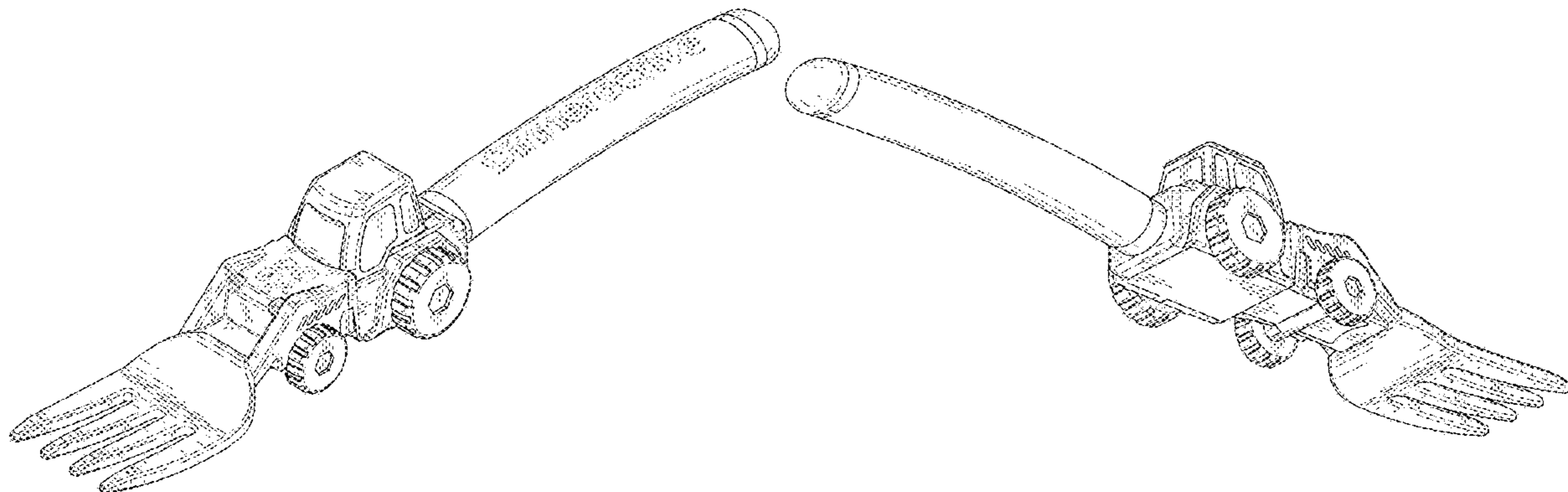
(57) **CLAIM**

The ornamental design for an eating utensil, as shown and described.

**DESCRIPTION**

FIG. 1 is top and front perspective view of an eating utensil showing our new design;  
FIG. 2 is a front elevation view thereof;  
FIG. 3 is a rear elevation view thereof;  
FIG. 4 is a left side elevation view thereof;  
FIG. 5 is a right side elevation view thereof;  
FIG. 6 is a top plan view;  
FIG. 7 is a bottom plan view; and,  
FIG. 8 is a bottom and rear perspective view thereof.  
The dashed broken lines in the figures illustrate portions of the eating utensil that form no part of the claimed design.

**1 Claim, 7 Drawing Sheets**



(56)

References Cited

U.S. PATENT DOCUMENTS

D533,038 S 12/2006 Hsu et al.  
 D554,439 S 11/2007 Malcolm et al.  
 D554,440 S 11/2007 Malcolm et al.  
 D554,441 S 11/2007 Malcolm et al.  
 D576,451 S \* 9/2008 Bagley, Jr. .... D7/655  
 D615,367 S \* 5/2010 Sierra ..... D7/664  
 D629,262 S \* 12/2010 Stern ..... D7/653  
 D642,874 S \* 8/2011 McFarland ..... D7/401.2  
 D665,630 S \* 8/2012 Vasavada ..... D7/643  
 8,291,600 B1 \* 10/2012 Huchthausen ..... A47J 43/281  
 30/326  
 D675,871 S \* 2/2013 Gallop ..... D7/653  
 D675,885 S \* 2/2013 Williams ..... D7/645  
 D677,997 S \* 3/2013 Costa ..... D7/645  
 D681,401 S \* 5/2013 Donovan ..... D7/642  
 D696,912 S \* 1/2014 Magnin ..... D7/642  
 D706,086 S \* 6/2014 Bagley, Jr. .... D7/642  
 D716,107 S \* 10/2014 Skolnik ..... D7/642  
 D722,837 S \* 2/2015 Miksovsky ..... D7/643  
 D722,839 S \* 2/2015 Donovan ..... D7/642  
 D723,342 S \* 3/2015 Donovan ..... D7/642  
 D727,690 S \* 4/2015 Wang ..... D7/644  
 D739,185 S \* 9/2015 Donovan ..... D7/645  
 D740,079 S \* 10/2015 Miksovsky ..... D7/653  
 D746,113 S \* 12/2015 Jung ..... D7/653  
 D747,934 S \* 1/2016 Shim ..... D7/653  
 D756,171 S \* 5/2016 Mou ..... D7/653  
 D762,089 S \* 7/2016 Waters ..... D7/653  
 D771,445 S \* 11/2016 Shim ..... D7/653  
 D775,498 S \* 1/2017 Gallop ..... D7/642  
 D777,532 S \* 1/2017 Wang ..... D7/645  
 D778,122 S \* 2/2017 Mou ..... D7/645  
 D778,689 S \* 2/2017 Grewal ..... D7/642  
 D796,271 S \* 9/2017 McFarland ..... D7/401.2  
 D808,232 S \* 1/2018 Liu ..... D7/643  
 D821,161 S \* 6/2018 Isopahkala ..... D7/645  
 D823,073 S \* 7/2018 Crowley ..... D7/656  
 D834,380 S \* 11/2018 Liu ..... D7/643  
 D834,382 S \* 11/2018 Appelbaum ..... D7/401.2  
 D852,007 S \* 6/2019 Oakes ..... D7/645  
 D882,353 S \* 4/2020 Salem ..... D7/643  
 D882,354 S \* 4/2020 Salem ..... D7/643  
 D917,239 S \* 4/2021 Sutton ..... D7/401.2  
 D919,380 S \* 5/2021 Salem ..... D7/643  
 D931,690 S \* 9/2021 Das ..... D7/642

D934,627 S \* 11/2021 Carson ..... D7/664  
 D955,189 S \* 6/2022 Li ..... D7/642  
 D959,928 S \* 8/2022 Hong ..... D7/653  
 D966,047 S \* 10/2022 Lee ..... D7/653  
 2009/0077812 A1 3/2009 Malcolm et al.

FOREIGN PATENT DOCUMENTS

CN 306692310 \* 7/2021  
 CN 307187674 \* 3/2022  
 EM 008870505-0002 \* 3/2022  
 GB 6146370 \* 7/2021  
 GB 6148681 \* 7/2021  
 IN 306087-0001 \* 8/2018  
 RU 00036759 \* 7/1993

OTHER PUBLICATIONS

Olat Dinner Forks, Jan. 6, 2022, <https://www.amazon.com/12-Piece-Dinner-Stainless-Silver-Inches/dp/B09PTTWVZX> (Year: 2022).\*

Homquen Dinner Forks, Oct. 17, 2020, <https://www.amazon.com/Dinner-Pieces-Homquen-Stainless-Dishwasher/dp/B08LBFP2Q3> (Year: 2020).\*

Top Race Bulldozer, Nov. 28, 2018, <https://www.amazon.co.uk/Top-Race-Functional-Construction-Bulldozer/dp/B07JGFM846/> (Year: 2018).\*

CAT Construction Little Machines Vehicle, Jun. 21, 2019, <https://www.amazon.co.uk/Caterpillar-82150-Machines-Construction-Vehicle/dp/B07T14FKRR> (Year: 2019).\*

Gowi Snow Plow, May 8, 2017, <https://www.amazon.co.uk/Gowi-560-82-Snow-Plow-Playset/dp/B0711HY49L> (Year: 2017).\*

JY&WIN Snow Plow, Dec. 15, 2020, <https://www.amazon.co.uk/JY-WIN-Control-Engineering-Charging/dp/B08QNCTRRB> (Year: 2020).\*

ECR4Kids Fork, May 9, 2019, <https://www.amazon.com/ECR4Kids-ELR-18104-BPA-Free-Dishwasher-Childrens-Self-Feeding/dp/B07P7M4RBK> (Year: 2019).\*

Elk and Friends Kids Silverware with Silicone Handle, Jun. 5, 2021, <https://www.amazon.com/Elk-Friends-Stainless-Silicone-Utensils/dp/B09782CLSH> (Year: 2021).\*

Pimoys Fork, May 5, 2021, <https://www.amazon.com/Stainless-Cutlery-Silverware-Children-Dishwasher/dp/B0946NKZNX> (Year: 2021).\*

\* cited by examiner

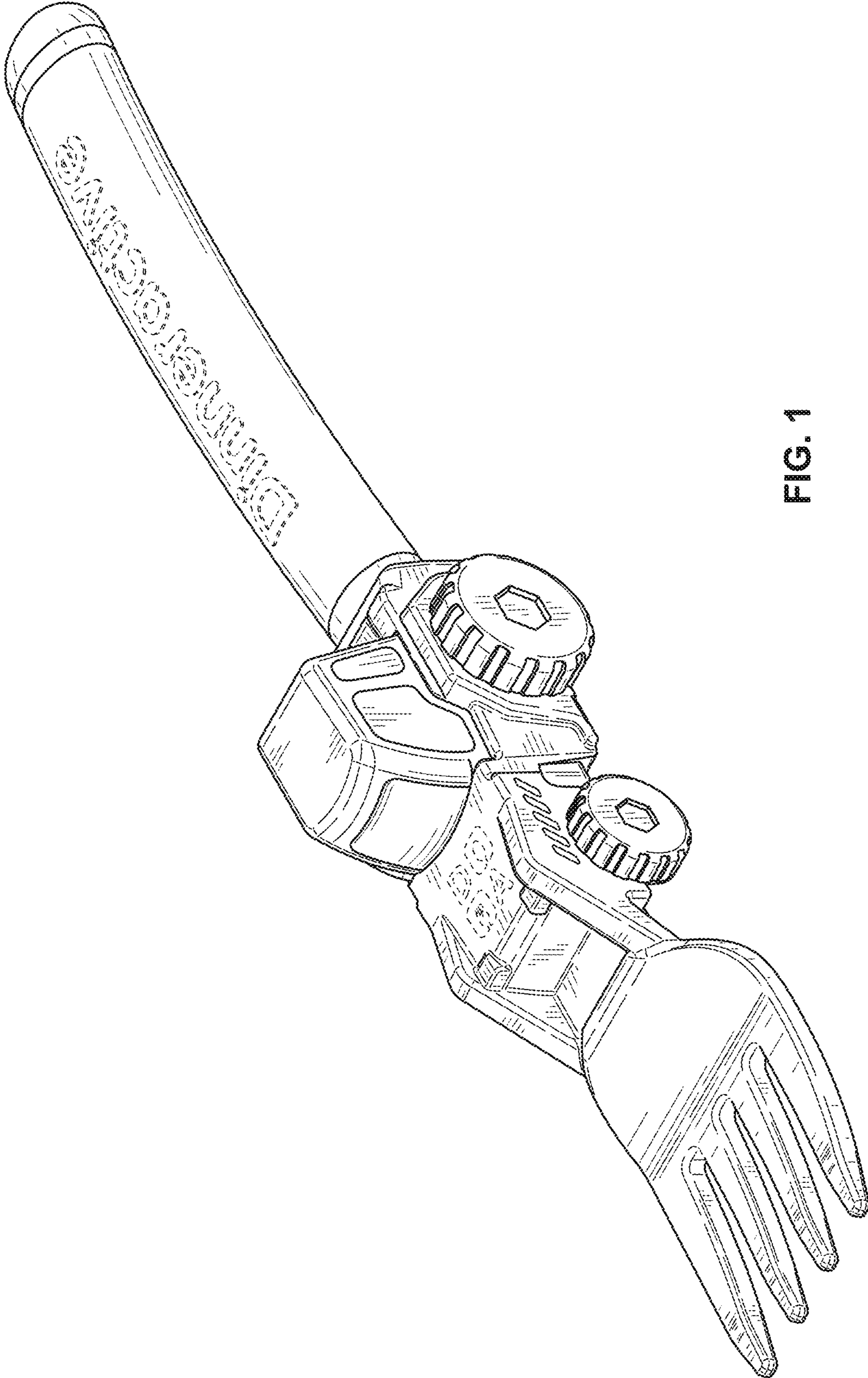


FIG. 1

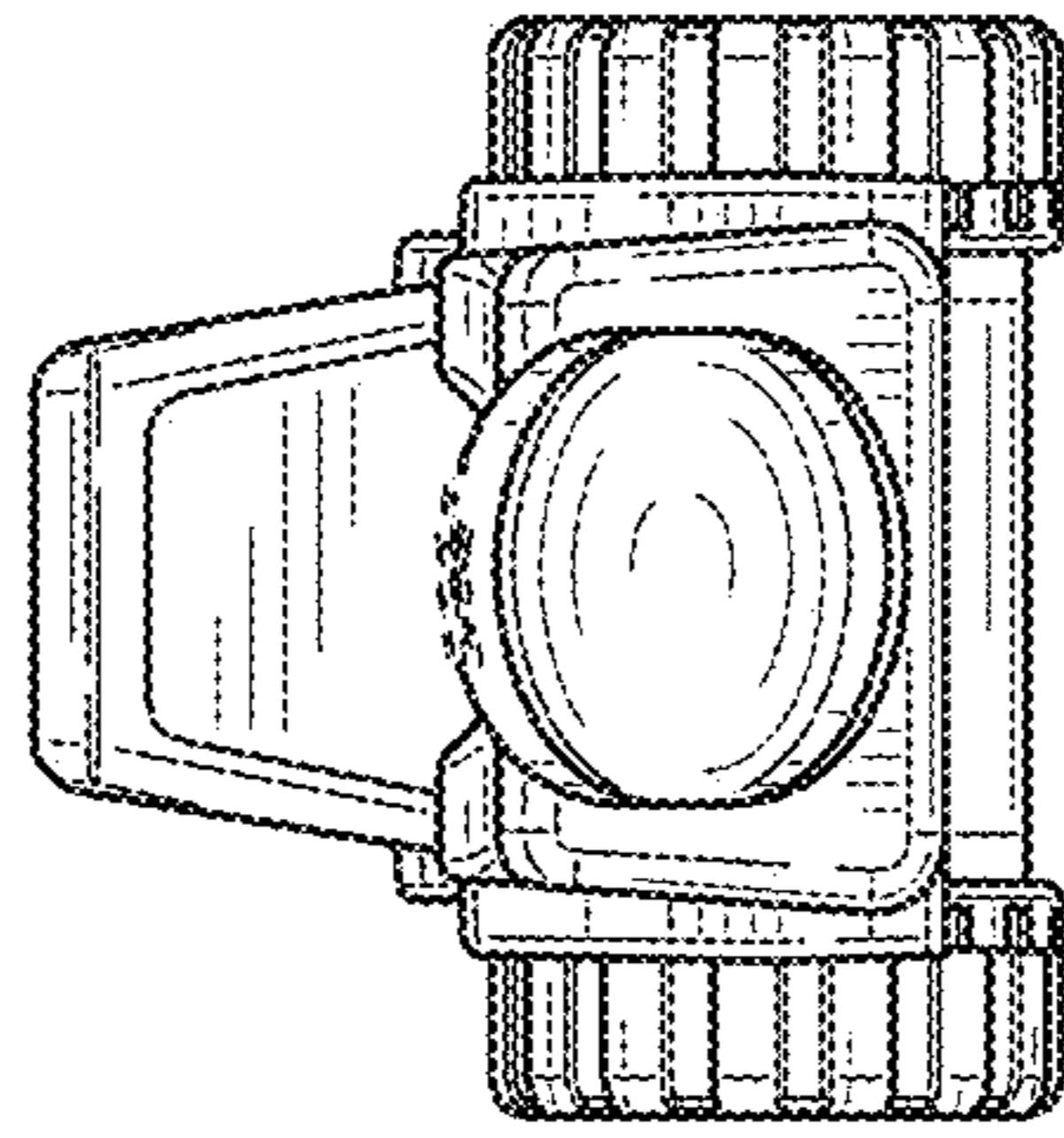


FIG. 3

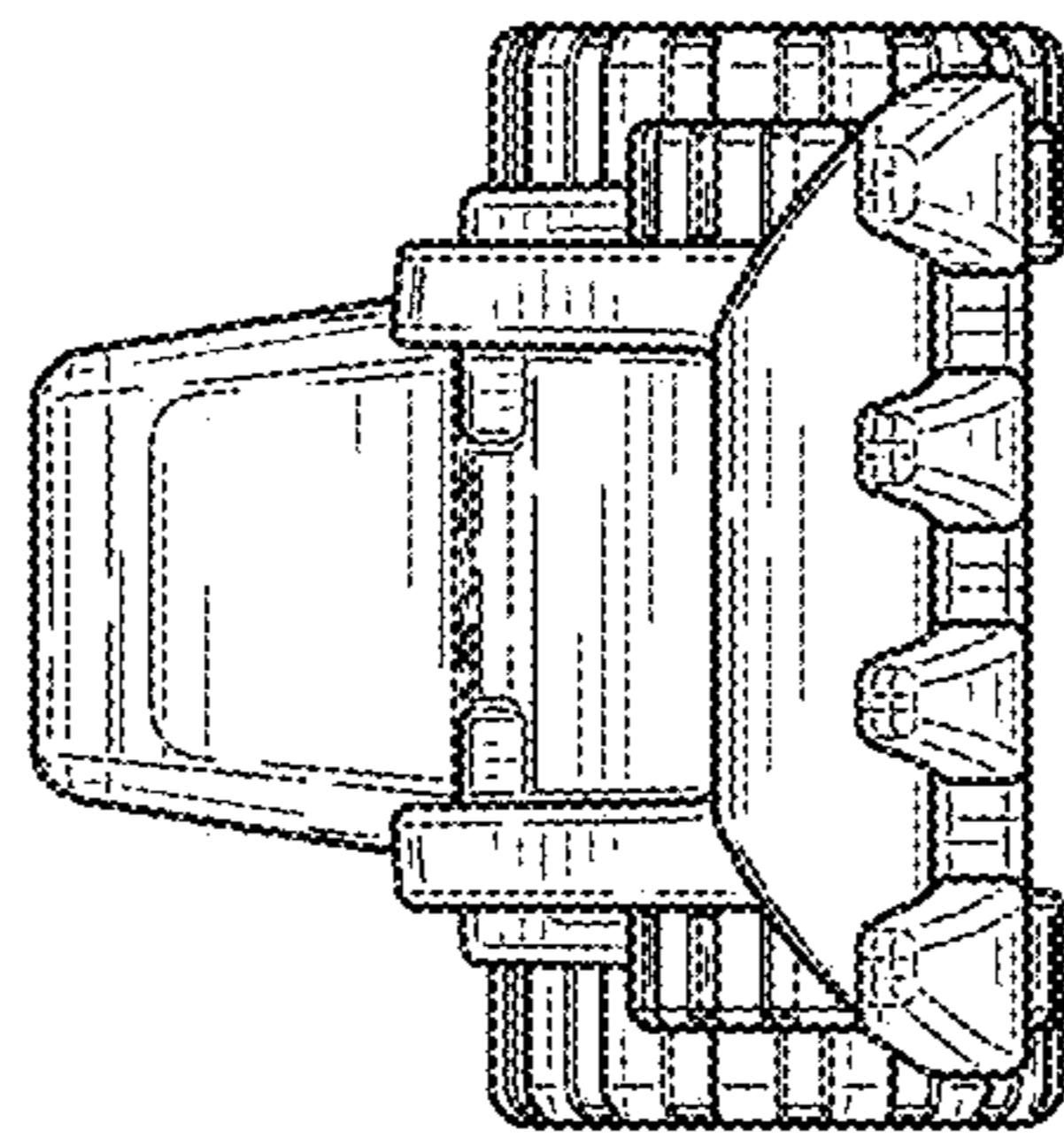


FIG. 2

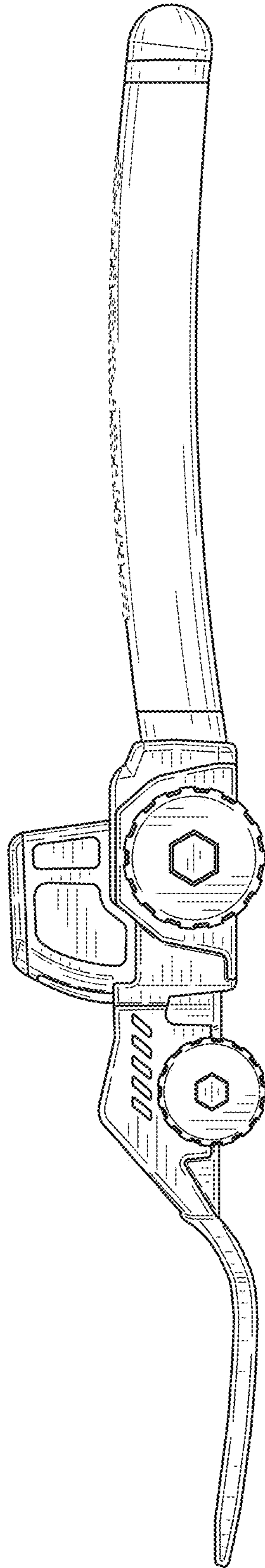


FIG. 4

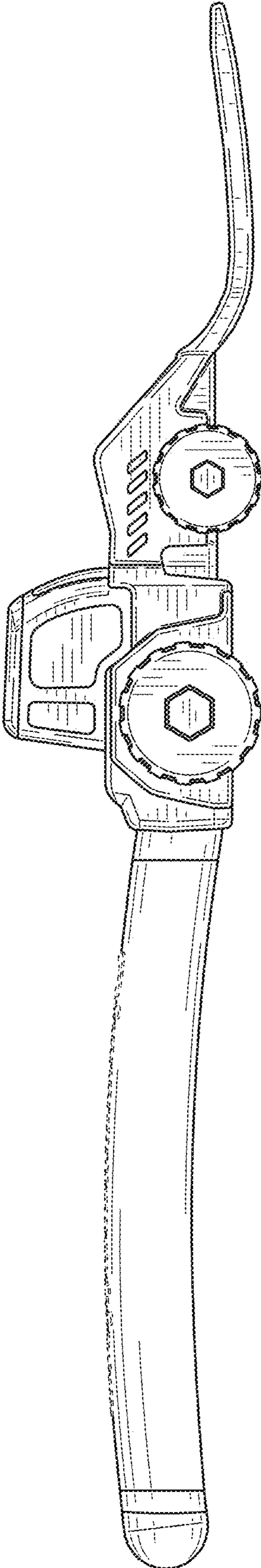


FIG. 5

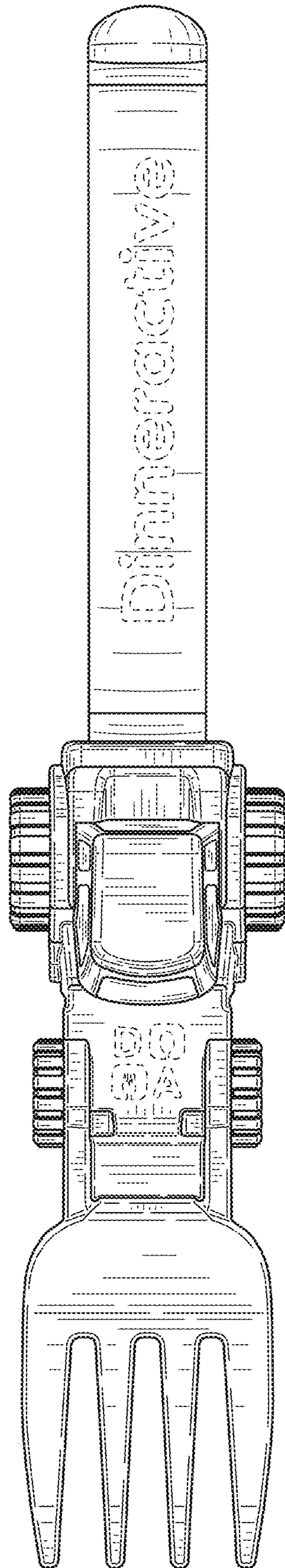


FIG. 6

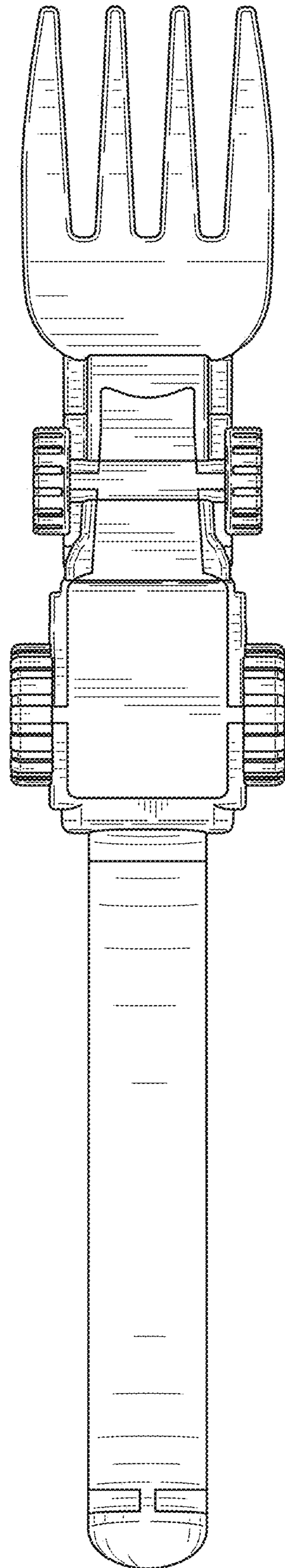


FIG. 7



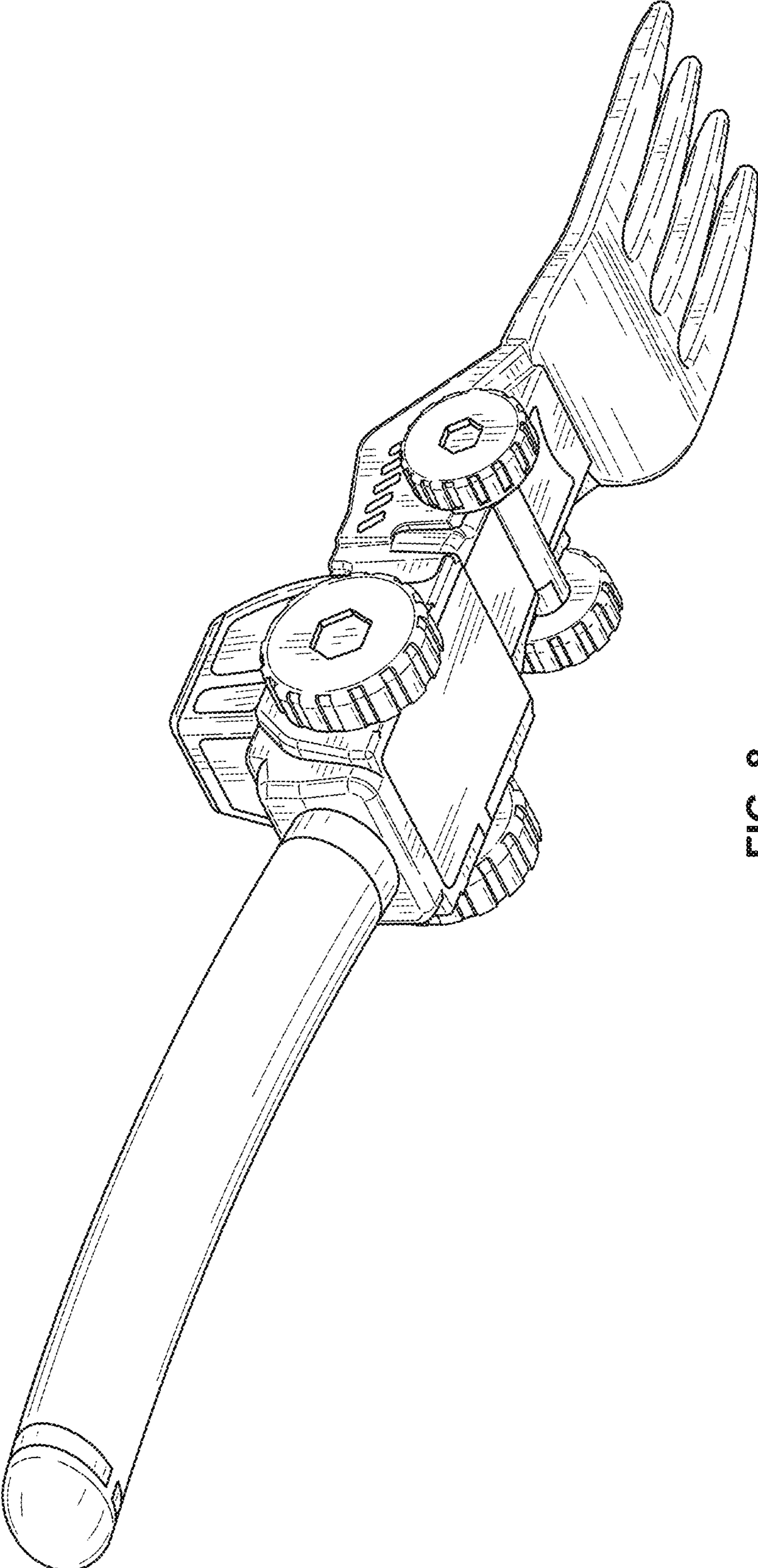


FIG. 8