



US00D988814S

(12) **United States Design Patent**
Boatwright et al.

(10) **Patent No.:** **US D988,814 S**
(45) **Date of Patent:** **** Jun. 13, 2023**

- (54) **LURE KNIFE**
- (71) Applicants: **Alan Boatwright**, Milton, FL (US);
Valerie Boatwright, Milton, FL (US)
- (72) Inventors: **Alan Boatwright**, Milton, FL (US);
Valerie Boatwright, Milton, FL (US)

- D447,015 S * 8/2001 Chien D7/649
- D508,381 S 8/2005 Tranfaglia et al.
- D508,827 S 8/2005 Tranfaglia et al.
- D554,948 S * 11/2007 Onion D7/649
- D559,046 S * 1/2008 Onion D7/649
- D621,231 S * 8/2010 Sverdrup-Jensen D7/649

(Continued)

(**) Term: **15 Years**

(21) Appl. No.: **29/808,839**

(22) Filed: **Sep. 23, 2021**

(51) **LOC (14) Cl.** **08-03**

(52) **U.S. Cl.**
USPC **D7/649**; D22/149

(58) **Field of Classification Search**
USPC D7/642, 645, 649, 650, 652, 653,
D7/662-664, 401.2; D8/98, 107;
30/147-150, 329, 340, 345; D22/118,
D22/149
CPC .. B23D 61/121; B23D 61/123; B23D 61/126;
B23D 61/128; B26B 3/06; B26B 5/00;
B26B 5/001; B26B 1/02; B26B 1/04;
B26B 1/08
See application file for complete search history.

(56) **References Cited**

U.S. PATENT DOCUMENTS

- D212,196 S 9/1968 Pasquale
- D274,971 S 8/1984 Kelley et al.
- D277,536 S * 2/1985 Baer D7/649
- D279,447 S * 7/1985 Gangelhoff D7/649
- D295,011 S * 4/1988 Herron D7/649
- 4,825,552 A * 5/1989 Bendickson B26B 3/00
30/340
- 4,869,011 A * 9/1989 Whiting A01K 87/08
43/23
- D309,557 S * 7/1990 Quennessen D7/693
- D348,184 S * 6/1994 Neshat D7/649
- D426,747 S 6/2000 Suero, Jr. et al.
- D433,288 S * 11/2000 Chien D7/649

FOREIGN PATENT DOCUMENTS

- CN 301283078 * 7/2010
- JP D1684461 * 4/2021
- WO D205203-001 * 5/2020

OTHER PUBLICATIONS

Lobo Lures Marlin Skeleton Big Game Fishing & Fly Fishing Floating Filet Knife, Jul. 12, 2015, <https://www.amazon.com/Lobo-Lures-Skeleton-Fishing-Floating/dp/B08LF3QDF9> (Year: 2015).*

(Continued)

Primary Examiner — Brett Miller
Assistant Examiner — Nader Abadir
(74) *Attorney, Agent, or Firm* — Cramer Patent & Design, PLLC; Aaron R. Cramer

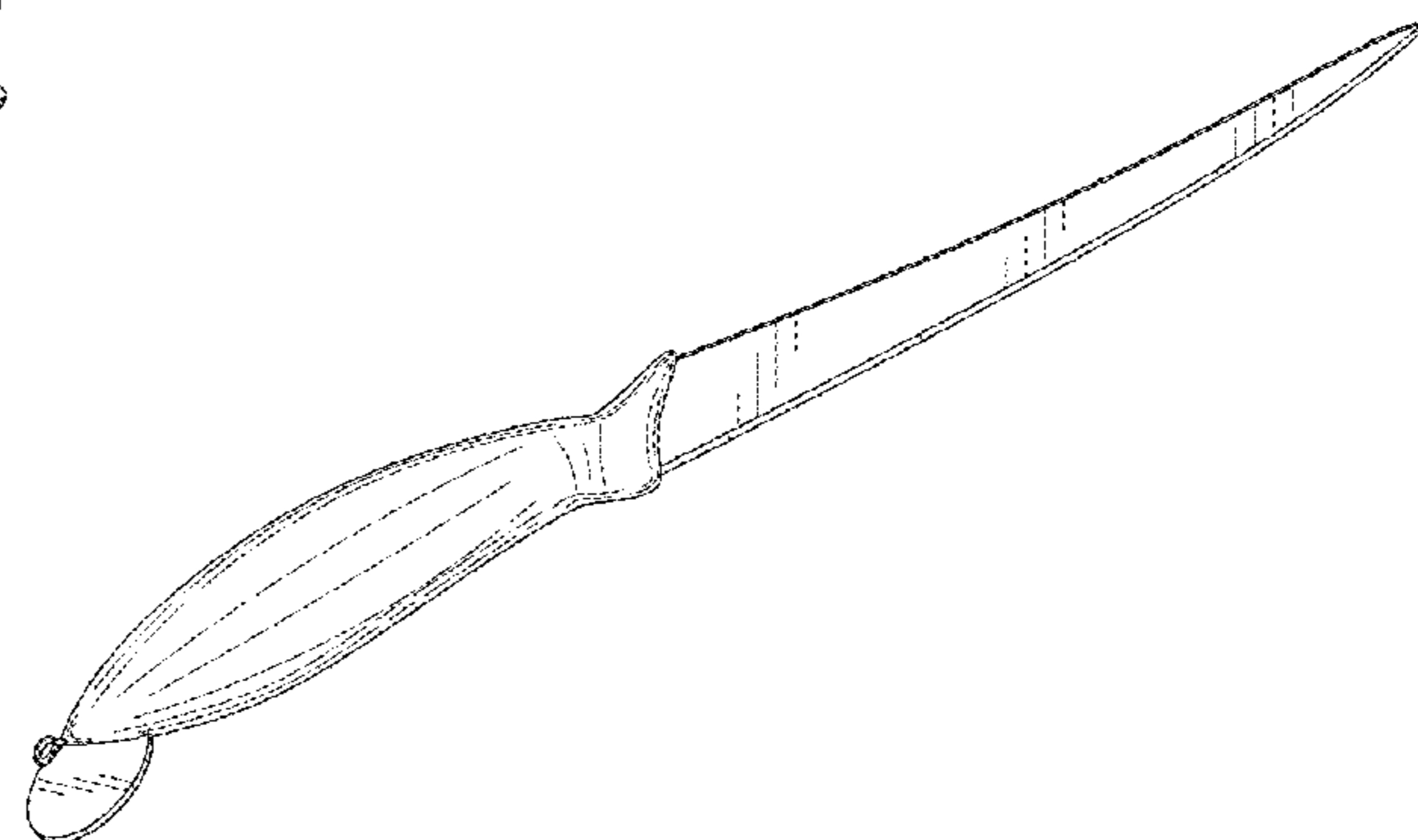
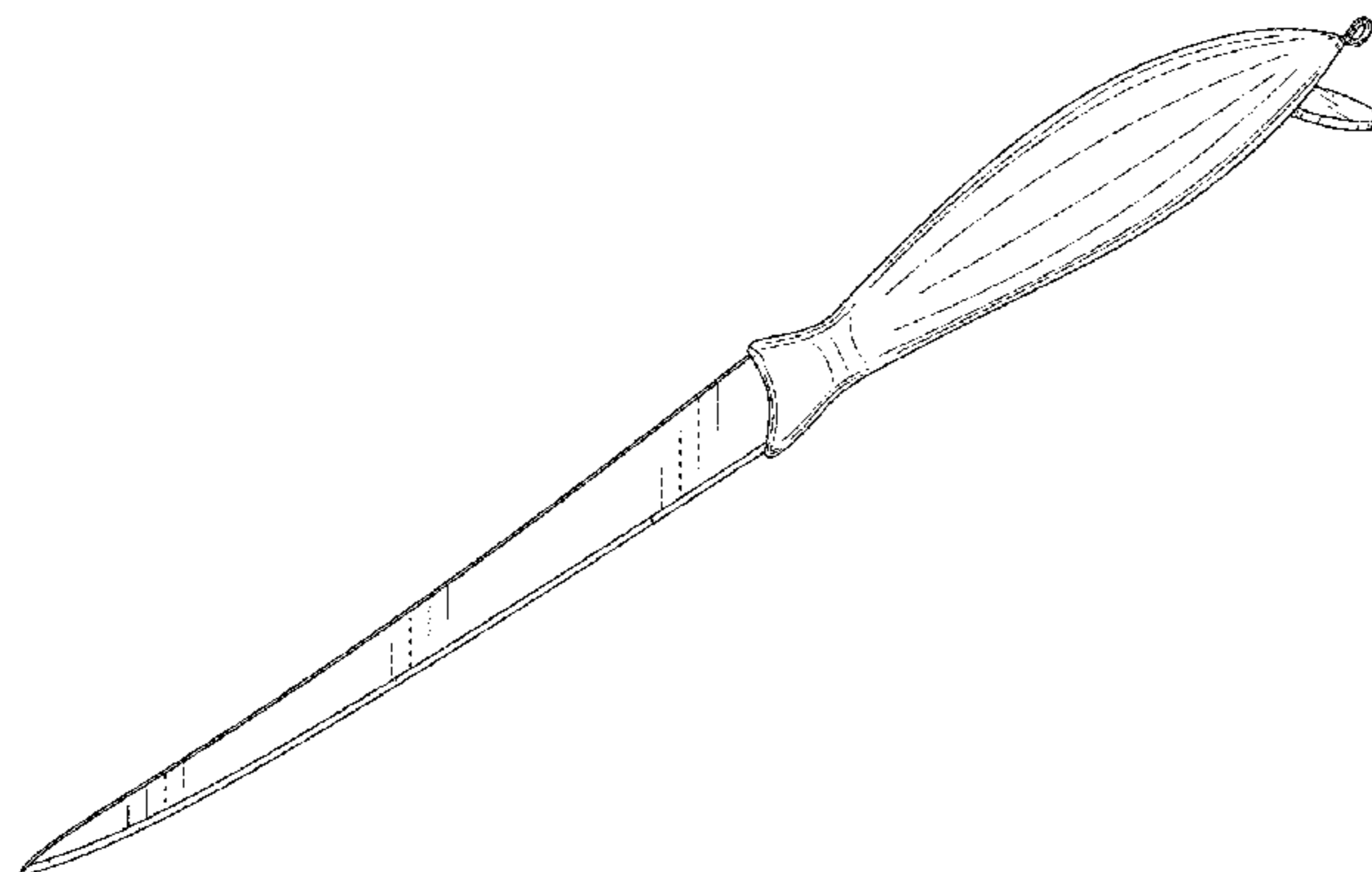
(57) **CLAIM**

The ornamental design for a lure knife, as shown and described.

DESCRIPTION

FIG. 1 is a perspective top front left view of a lure knife, showing our new design;
FIG. 2 is a perspective top rear right view thereof;
FIG. 3 is a front elevation view thereof;
FIG. 4 is a rear elevation view thereof;
FIG. 5 is a right elevation view thereof;
FIG. 6 is a left elevation view thereof;
FIG. 7 is a top plan view thereof; and,
FIG. 8 is a bottom plan view thereof.

1 Claim, 3 Drawing Sheets



(56)

References Cited

U.S. PATENT DOCUMENTS

D694,064 S * 11/2013 Costa D7/649
 D813,345 S * 3/2018 Wilson D22/149
 D906,476 S * 12/2020 Vanden Heuvel D22/149

OTHER PUBLICATIONS

Sougayilang Fishing Tools Set, Aug. 19, 2021, <https://www.amazon.com/Sougayilang-Fishing-Pliers-Floating-Multi-Function/dp/B09D3Q25YF> (Year: 2021).*

Cangshan Filet Knife, Sep. 7, 2017, <https://www.amazon.com/Cangshan-1020458-Sandvik-Swedish-Leather/dp/B075G53VPH> (Year: 2017).*

DPNAO Fishing Filet Knife, Sep. 17, 2019, <https://www.amazon.com/dpnao-Stainless-Steel-Comfortable-Non-Slip-Sharpener/dp/B07XZ34KDT> (Year: 2019).*

Cuda Titanium Bonded Knife, May 11, 2015, <https://www.amazon.com/Cuda-Titanium-Bonded-Knife-3/dp/B00TSO6K30> (Year: 2015).*

Rapala Saltwater Fillet Knife, Jun. 8, 2005, <https://www.amazon.com/Rapala-Saltwater-Fillet-Knife-inch/dp/B00169487U> (Year: 2005).*
 Knives Of Alaska Steelheader Fixed Blade Hunting Knife, Apr. 23, 2013, <https://www.amazon.com/Knives-Alaska-Steelheader-Hunting-Stainless/dp/B00CHUBSAM> (Year: 2013).*

Small Kukri penknife/Letter Opener fish shape. Product Listing [online]. The Fair trade Shop.co.uk [retrieved on Mar. 4, 2021]. Retrieved from the Internet: <URL: <http://www.thefairtradeshop.co.uk/Ethical%20stationery.htm>>.

Damascus Steel Hand Made Liner Lock Fish Folding Knife. Product Listing [online]. © 2018 Red Knives [retrieved on Mar. 4, 2021]. Retrieved from the Internet: <URL: <https://redknives.com/product/damascus-steel-hand-made-liner-lock-fish-folding-knife/>>.

Fingerling Fish Knife™. Product Listing [online]. © 2021, Mollyjogger [retrieved on Mar. 4, 2021]. Retrieved from the Internet: <URL: <https://www.mollyjogger.com/products/fish-knife>>.

NV319 Novelty Cutlery Fish Pocket Knife. Product Listing [online]. Copyright 2021 Discount Cutlery, LLC [retrieved on Mar. 4, 2021]. Retrieved from the Internet: <URL: https://www.discountcutlery.net/NV319-Noveltty-Cutlery-Fish-Pocket-Knife_p_89280.html>.

* cited by examiner

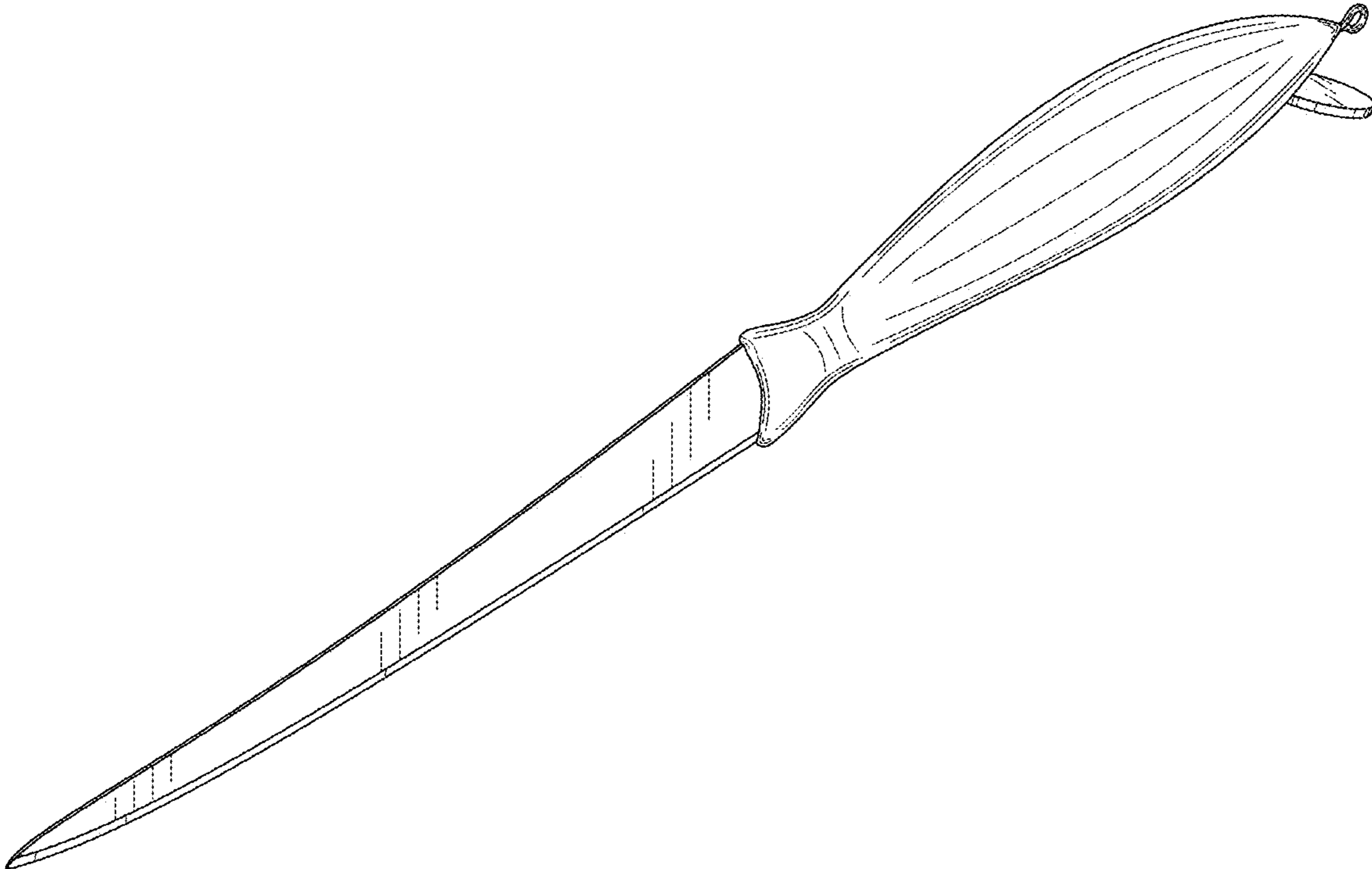


FIG. 1

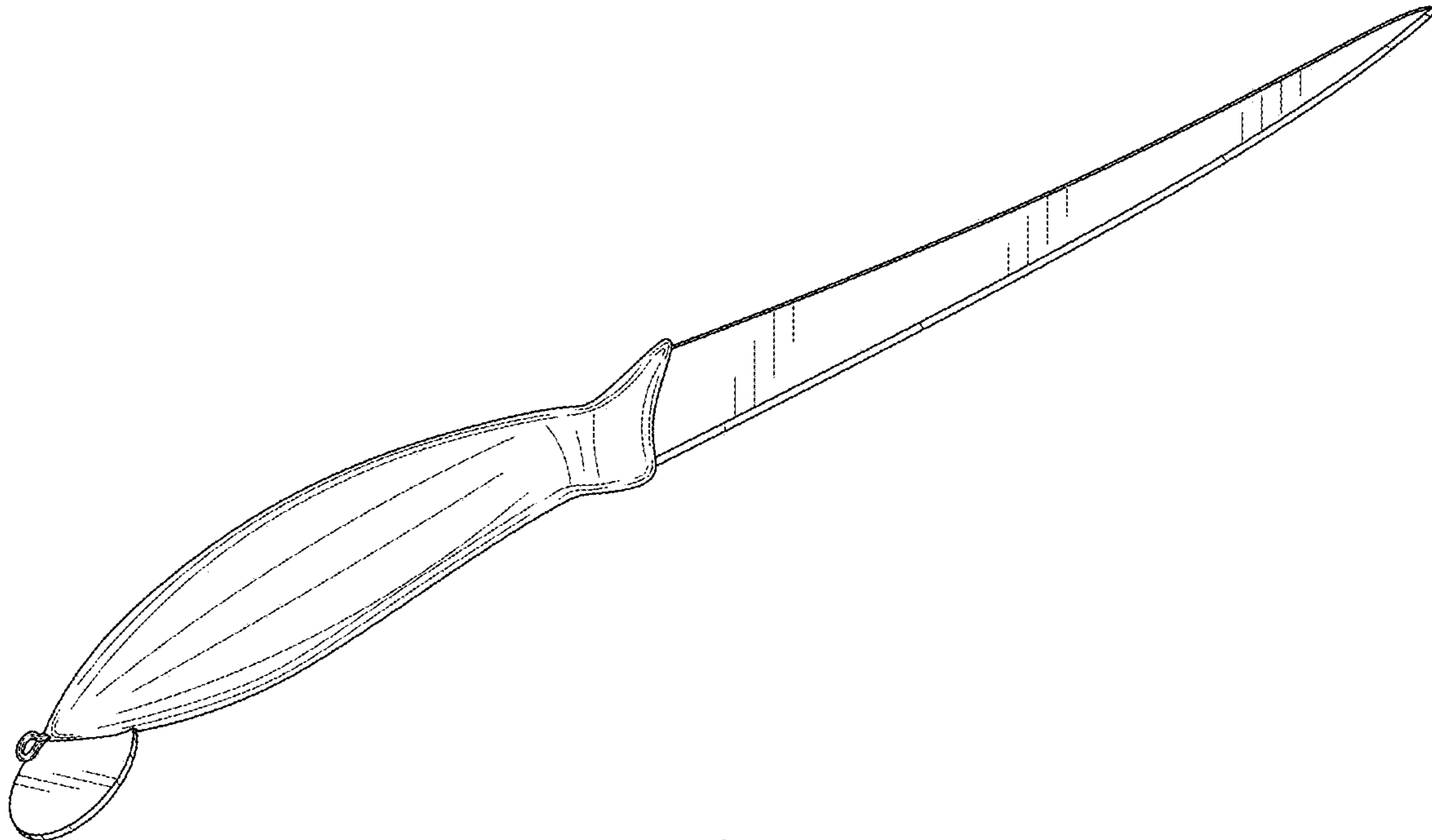


FIG. 2

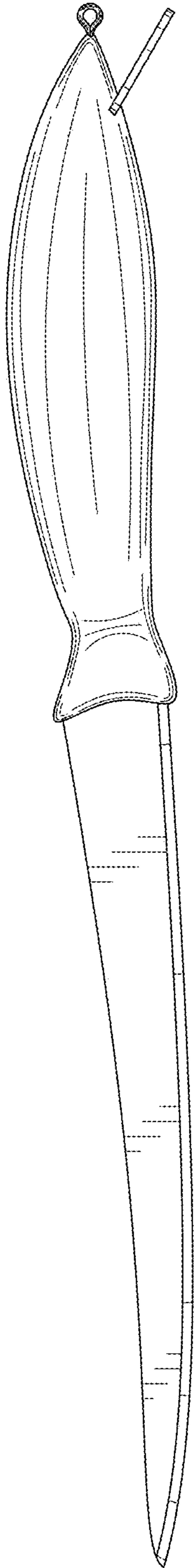


FIG. 3

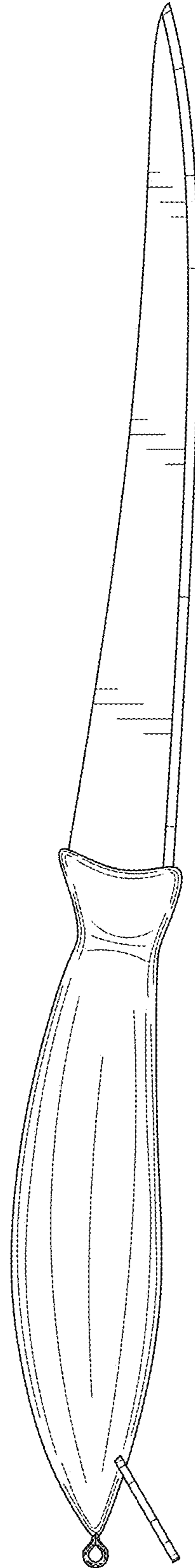


FIG. 4

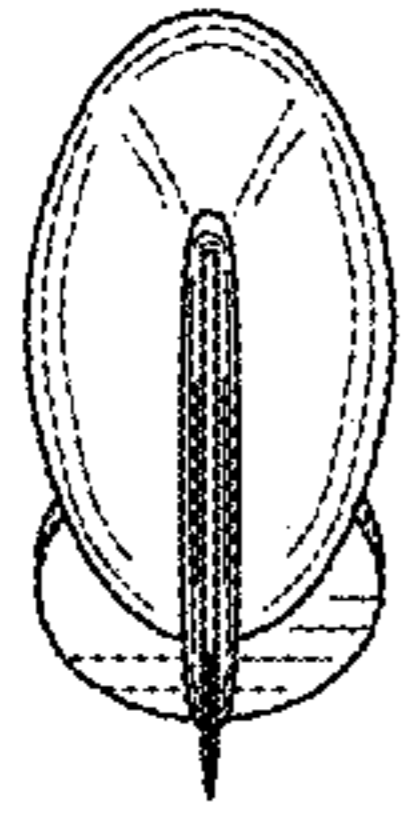


FIG. 5

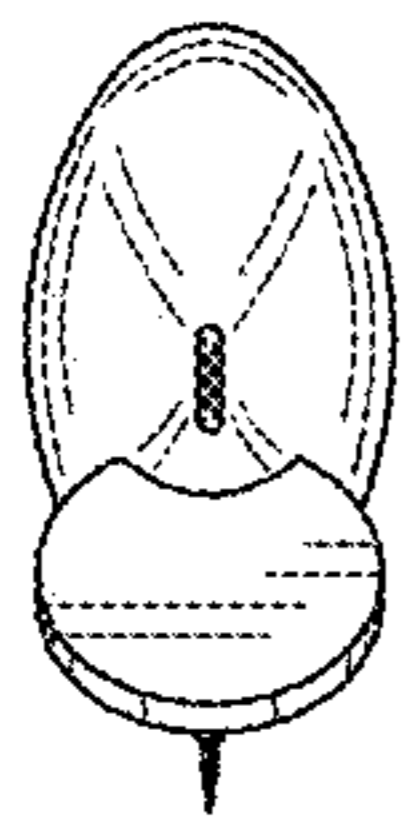


FIG. 6

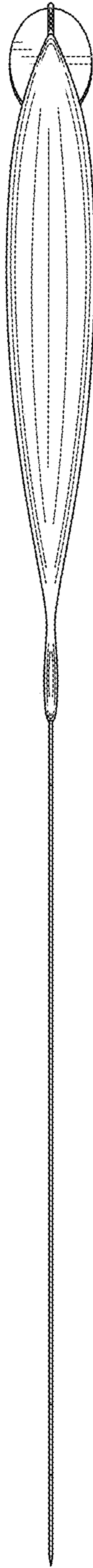


FIG. 7

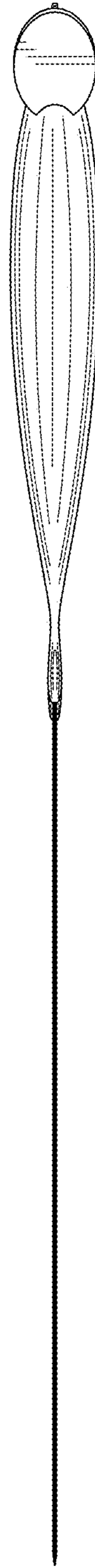


FIG. 8