



US00D988812S

(12) **United States Design Patent**
Zhou

(10) **Patent No.:** **US D988,812 S**
(45) **Date of Patent:** **** Jun. 13, 2023**

(54) **ELECTRIC DECANTER**

(71) Applicant: **Pei Hua Zhou**, Zhongshan (CN)

(72) Inventor: **Pei Hua Zhou**, Zhongshan (CN)

(**) Term: **15 Years**

(21) Appl. No.: **29/800,238**

(22) Filed: **Jul. 20, 2021**

(51) **LOC (14) Cl.** **07-06**

(52) **U.S. Cl.**
USPC **D7/368**

(58) **Field of Classification Search**
USPC D7/368, 387, 388, 412, 624.1
CPC A47G 23/0241; A47G 2400/04; A47G
2400/045; B01F 23/236; B01F 23/2361;
B01F 23/2362; B01F 2101/17; B01F
29/40221; B01F 35/221422; B01F 35/43
See application file for complete search history.

(56) **References Cited**

U.S. PATENT DOCUMENTS

- D401,107 S * 11/1998 Rimback D7/368
- D601,861 S * 10/2009 Richardson A47G 23/0241
D7/624.1
- D913,049 S * 3/2021 Allen D7/624.1
- D937,638 S * 12/2021 Qi D7/624.1
- D937,639 S * 12/2021 Qi D7/624.1
- 2016/0271572 A1 * 9/2016 Li C12G 1/00
- 2016/0354733 A1 * 12/2016 Chung B67D 1/10
- 2018/0055263 A1 * 3/2018 Wu A47G 23/0241
- 2018/0304209 A1 * 10/2018 Hellmers B01F 35/2205
- 2019/0151811 A1 * 5/2019 Jin B01F 23/233
- 2020/0238239 A1 * 7/2020 Shotey B01F 35/212
- 2022/0184565 A1 * 6/2022 Liu B01F 35/43

OTHER PUBLICATIONS

Qthree Electric Wine Decanter, first available Novembers, 2021, Amazon, [online], [site visited Jan. 27, 2023], Available from internet URL: <https://www.amazon.com/QTHREE-Electric-Automatic-Rechargeable-Accessories/dp/B09KX8RHJL> (Year: 2021).*

Wogarde Electric Wine Decanter Aerator, first available Dec. 28, 2021, Amazon, [online], [site visited Jan. 27, 2023], Available from internet URL: <https://www.amazon.com/Electric-Decanter-Drinkers-Automatic-Anniversary/dp/B09PBMB41B> (Year: 2021).*

* cited by examiner

Primary Examiner — Mary Ann Calabrese
Assistant Examiner — Natalya M Rapundalo
(74) *Attorney, Agent, or Firm* — Rumit Ranjit Kanakia

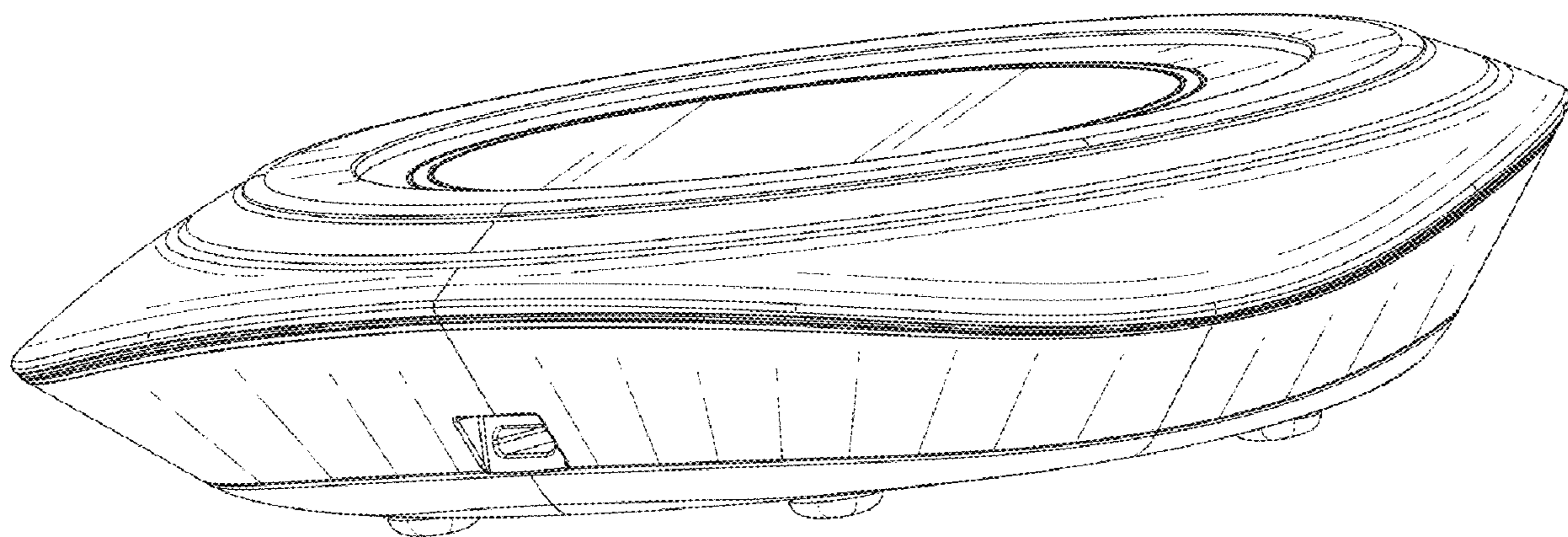
(57) **CLAIM**

I claim the ornamental design for an electric decanter, as shown and described.

DESCRIPTION

FIG. 1 is a Bottom, front, right perspective view of an electric decanter showing my new design;
FIG. 2 is a Front view thereof;
FIG. 3 is a Back view thereof;
FIG. 4 is a Right-side view thereof;
FIG. 5 is a Left-side view thereof;
FIG. 6 is a Top view thereof;
FIG. 7 is, a Bottom view thereof; and,
FIG. 8 is a Back, top perspective view thereof.

1 Claim, 8 Drawing Sheets



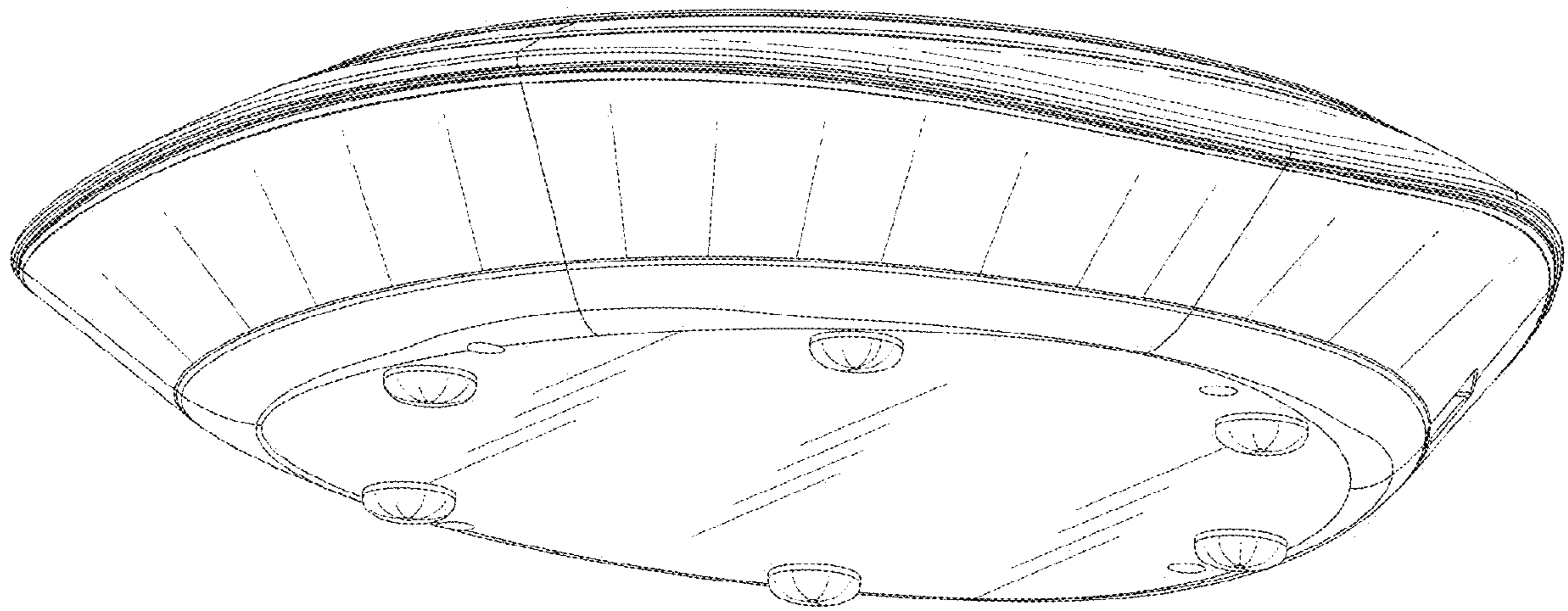


FIG.1

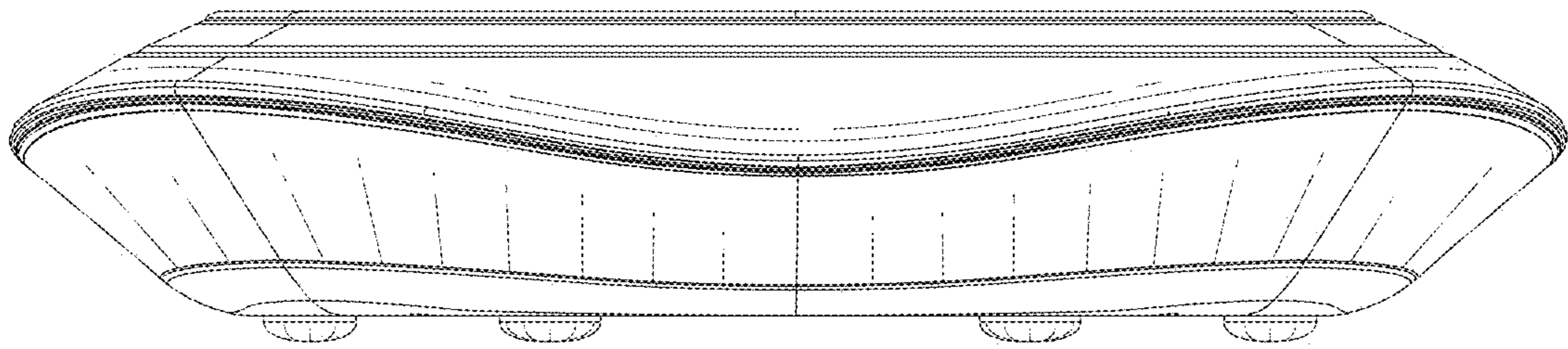


FIG.2

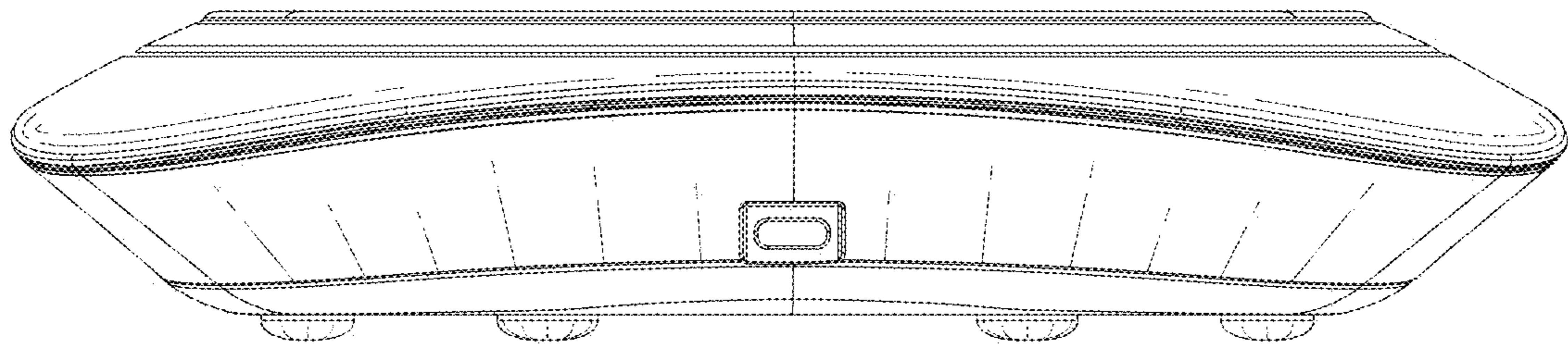


FIG.3

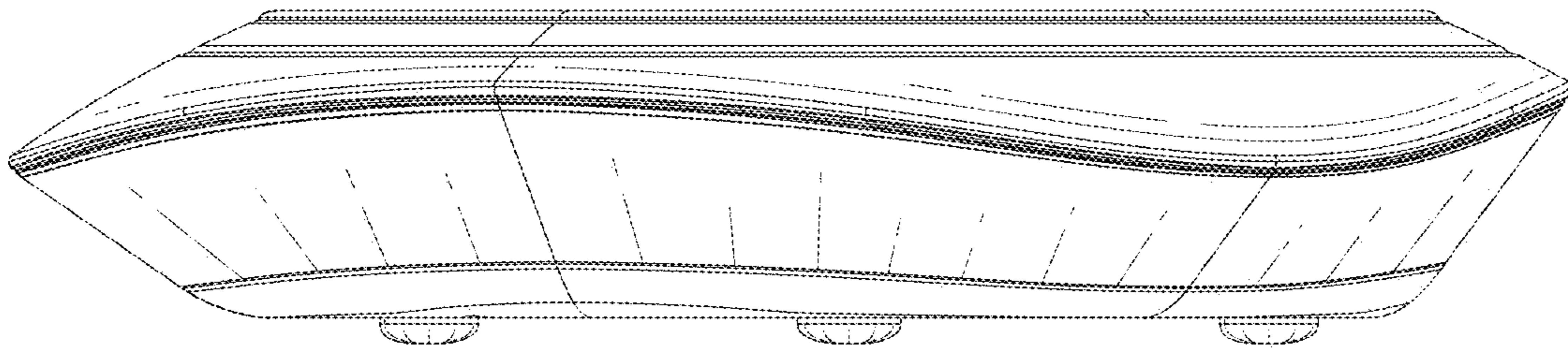


FIG.4

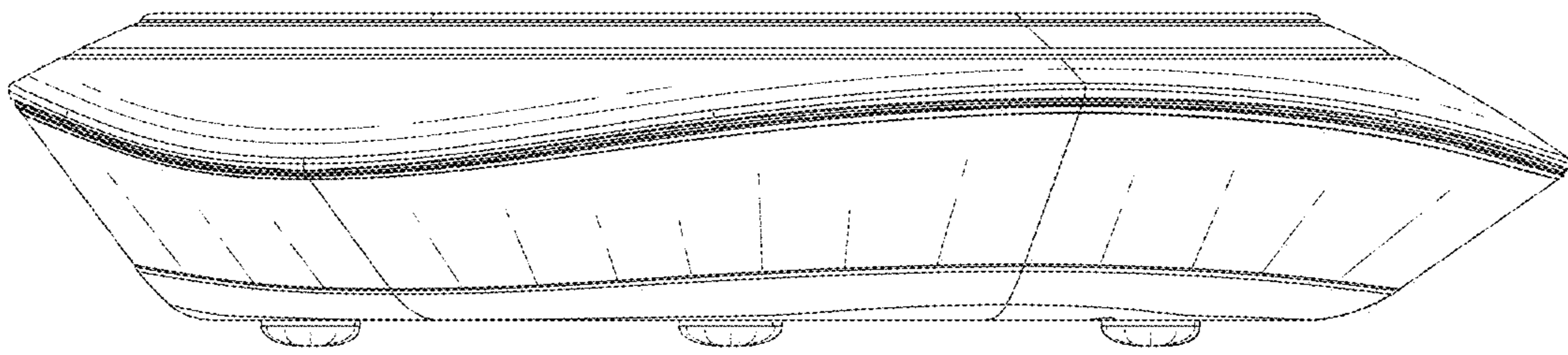


FIG.5

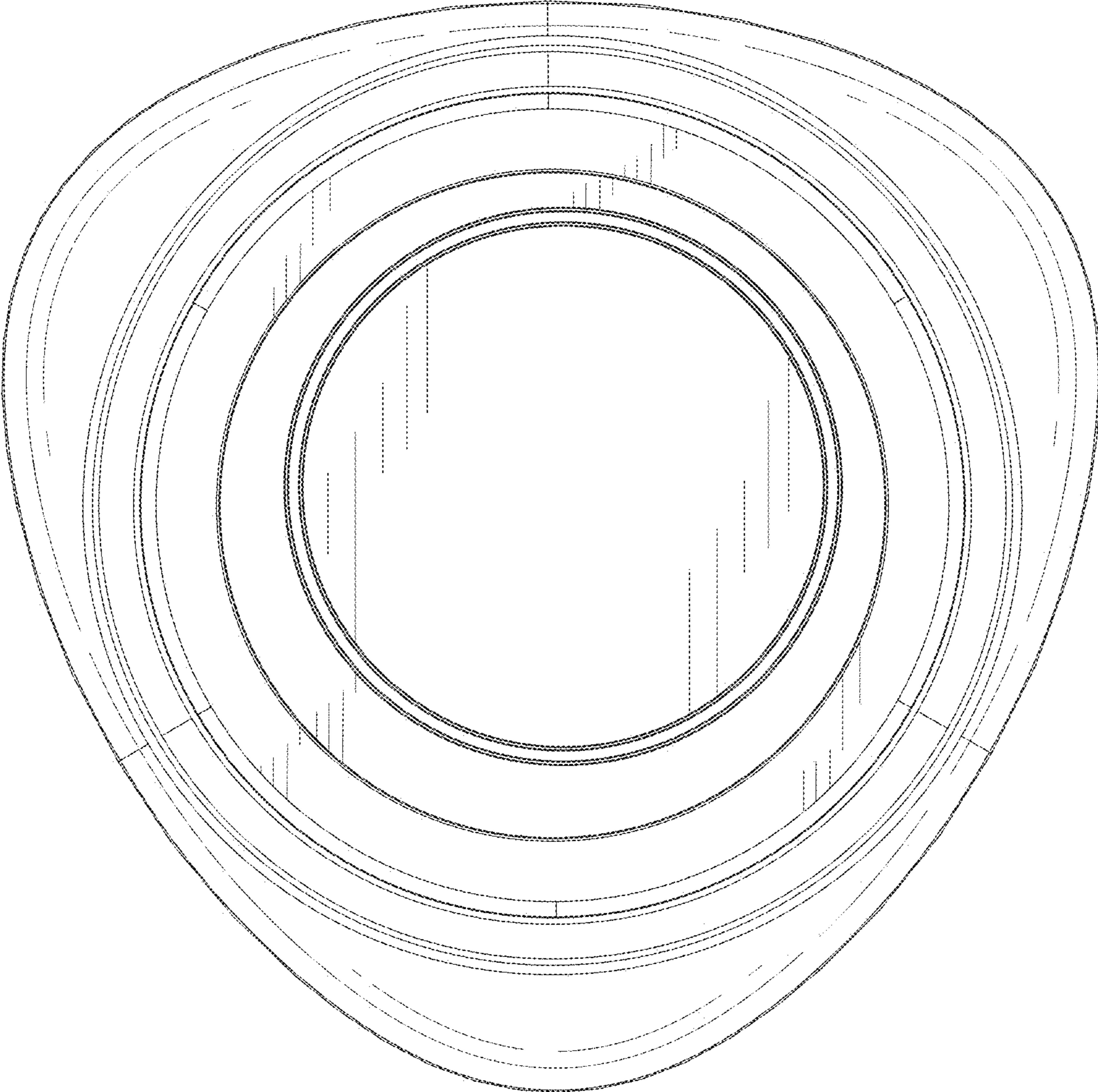


FIG.6

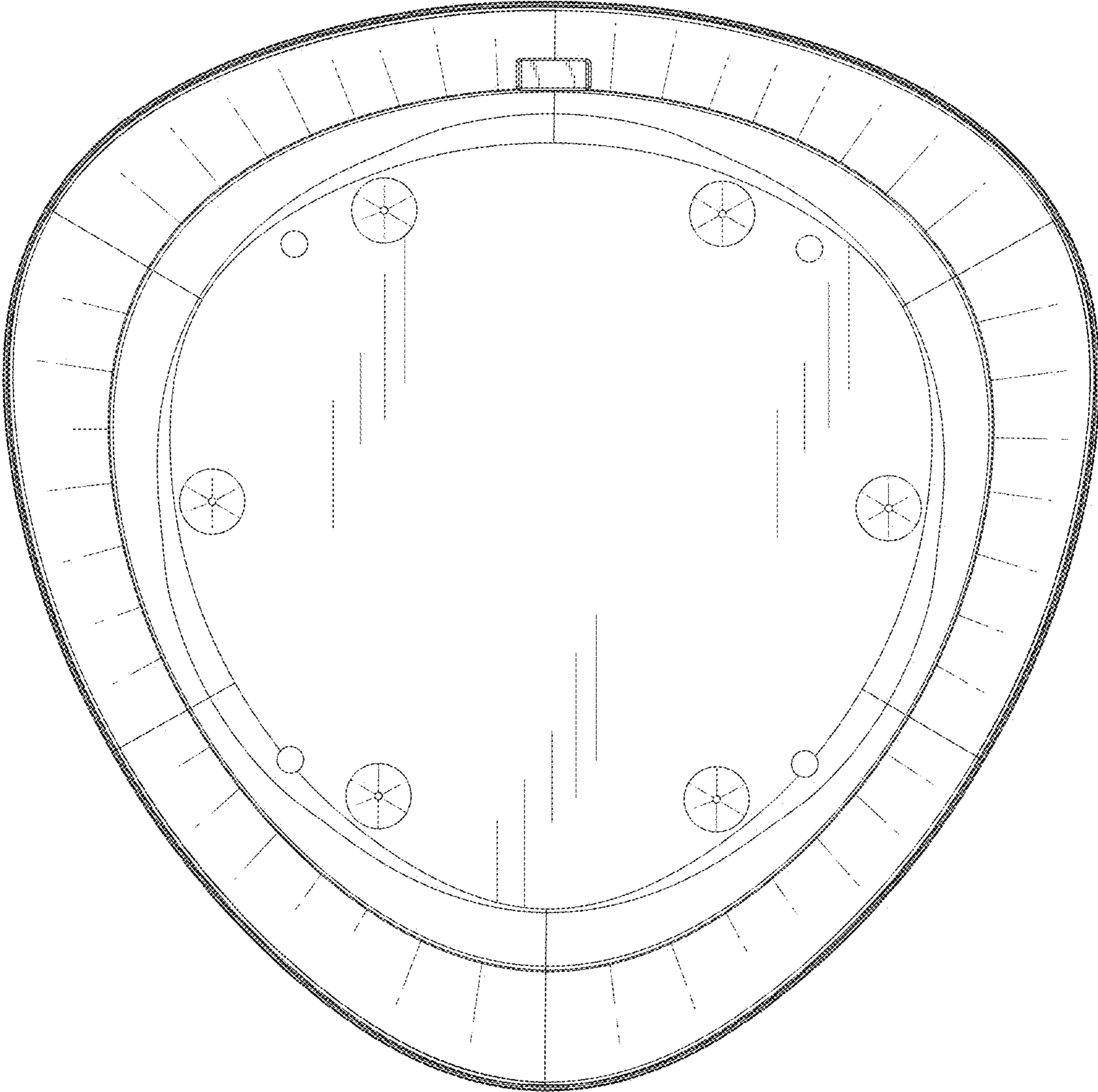


FIG.7

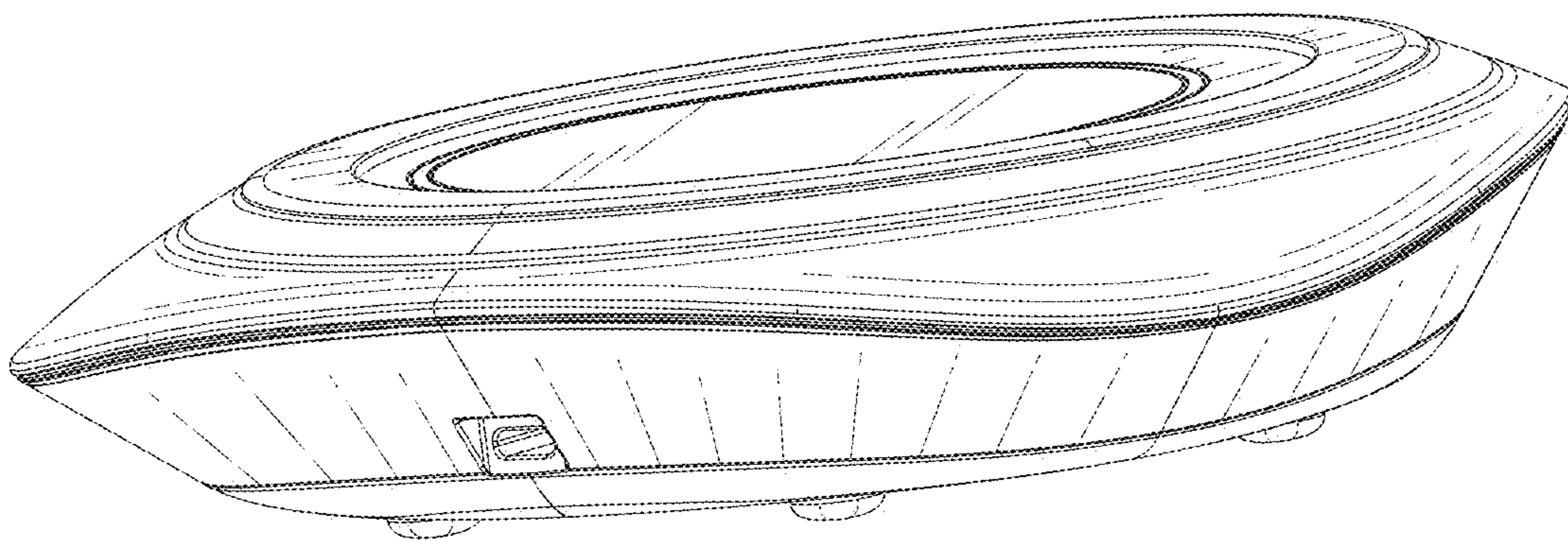


FIG.8