



US00D988806S

(12) **United States Design Patent**  
**Harris et al.**

(10) **Patent No.:** **US D988,806 S**  
(45) **Date of Patent:** **\*\* Jun. 13, 2023**

- (54) **BOWL WITH BEVELED BOTTOM GRIP**
- (71) Applicant: **Base Brands, LLC**, Atlanta, GA (US)
- (72) Inventors: **Jamison Corey Harris**, Brookhaven, GA (US); **Patrick Spivey**, Atlanta, GA (US); **Kenneth Kreafle**, Atlanta, GA (US)
- (73) Assignee: **Base Brands, LLC**, Atlanta, GA (US)
- (\*\*) Term: **15 Years**
- (21) Appl. No.: **29/761,869**
- (22) Filed: **Dec. 11, 2020**
- (51) **LOC (14) Cl.** ..... **07-01**
- (52) **U.S. Cl.**  
USPC ..... **D7/584; D7/505**
- (58) **Field of Classification Search**  
USPC ..... D7/501, 610, 550.1, 554.1, 558, 500, D7/587, 584, 629, 585, 586, 588, 554.2, D7/630, 354, 543, 523, 505, 507, 527, D7/528, 531, 552.2, 557, 555; 108/142; 220/574.3, 781, 574; D9/416, 500, 429, D9/428; 206/505; 366/130; D30/129  
CPC .. B65D 21/086; B65D 51/185; B65D 21/022; B65D 43/0208; A47G 19/2283; A47G 19/03; A47G 19/02; A47J 43/0727; A47J 27/002; F16B 47/00; F16B 2200/00; B66C 1/0212; F16M 13/022; F23D 3/16  
See application file for complete search history.

D357,170 S *	4/1995	Wellsfry	.....	D8/349
5,813,638 A *	9/1998	Morris	.....	A47J 43/0727
				220/636
D466,256 S *	11/2002	Kaplan	.....	D30/129
6,530,661 B1 *	3/2003	Vorhis	.....	A47G 29/08
				351/158
D511,437 S *	11/2005	Brown	.....	D9/429
D512,604 S *	12/2005	Panepinto	.....	D7/505
7,229,280 B2 *	6/2007	Kubicek	.....	F23D 3/16
				431/291
7,247,017 B2 *	7/2007	Furner	.....	F21V 37/00
				431/35
7,287,978 B2 *	10/2007	Kubicek	.....	F23D 3/16
				431/294
7,318,724 B2 *	1/2008	Kubicek	.....	F23D 3/16
				431/294
D576,448 S *	9/2008	Harris	.....	D7/505
7,442,036 B2 *	10/2008	Kubicek	.....	F23D 3/16
				431/291

(Continued)

*Primary Examiner* — Cynthia R Underwood  
(74) *Attorney, Agent, or Firm* — Park, Vaughan, Fleming & Dowler LLP

(57) **CLAIM**

The ornamental designs for a bowl with beveled bottom grip, as shown and described.

**DESCRIPTION**

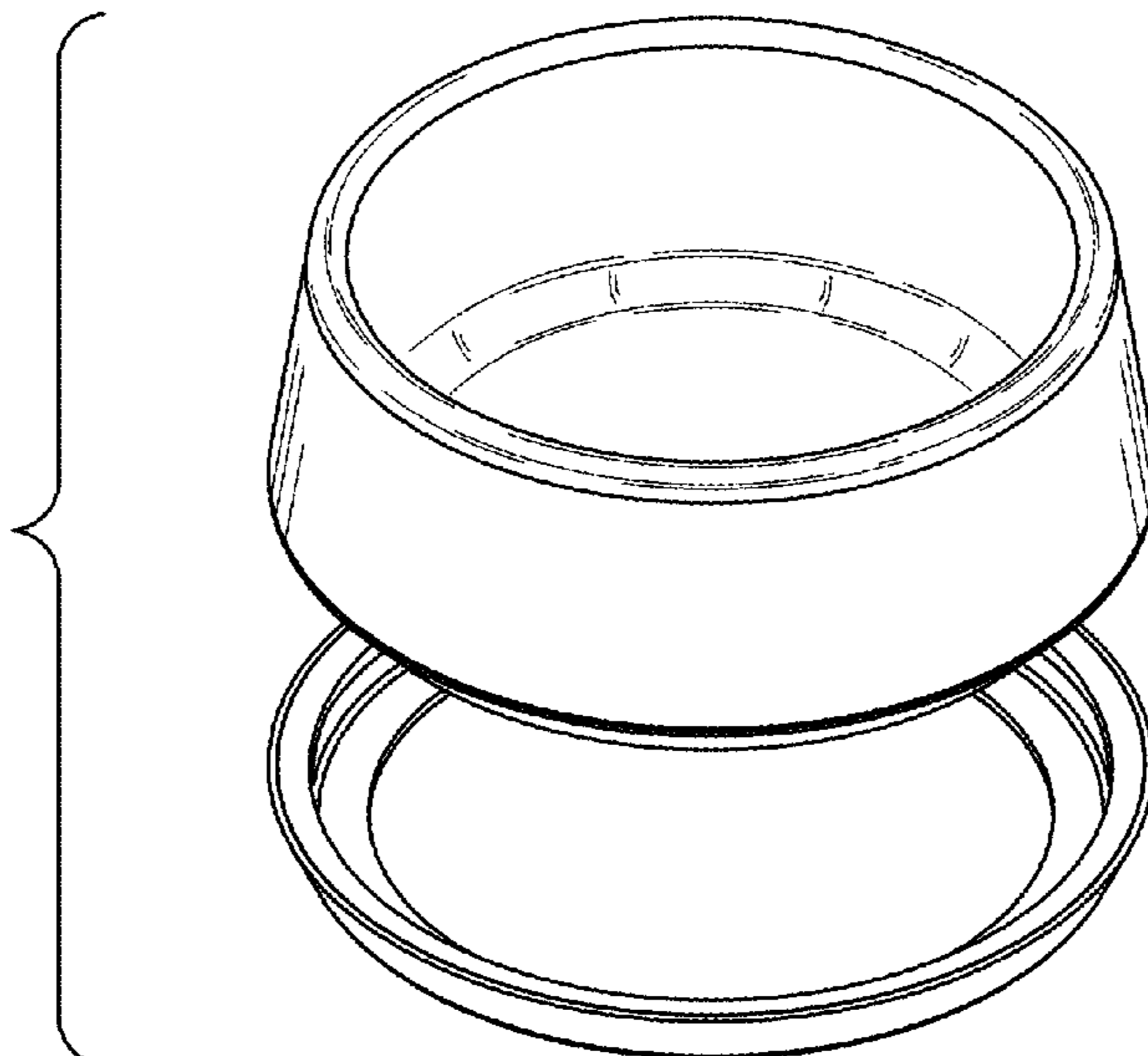
FIG. 1 is a top perspective view of an embodiment of our design.  
FIG. 2 is a top view of the embodiment.  
FIG. 3 is a bottom view of the embodiment.  
FIG. 4 is a right side view of the embodiment.  
FIG. 5 is a left side view of the embodiment.  
FIG. 6 is a front view of the embodiment.  
FIG. 7 is a back view of the embodiment; and,  
FIG. 8 is an exploded perspective view of the embodiment.

**1 Claim, 3 Drawing Sheets**

(56) **References Cited**

U.S. PATENT DOCUMENTS

D69,929 S *	4/1926	Zimmerman	.....	D7/584
2,492,892 A *	12/1949	Schlumbohm	.....	A47J 27/002
				D7/584
3,078,005 A *	2/1963	Lewerth	.....	A47G 19/02
				D7/584
D348,589 S *	7/1994	Cautereels	.....	D7/565



(56)

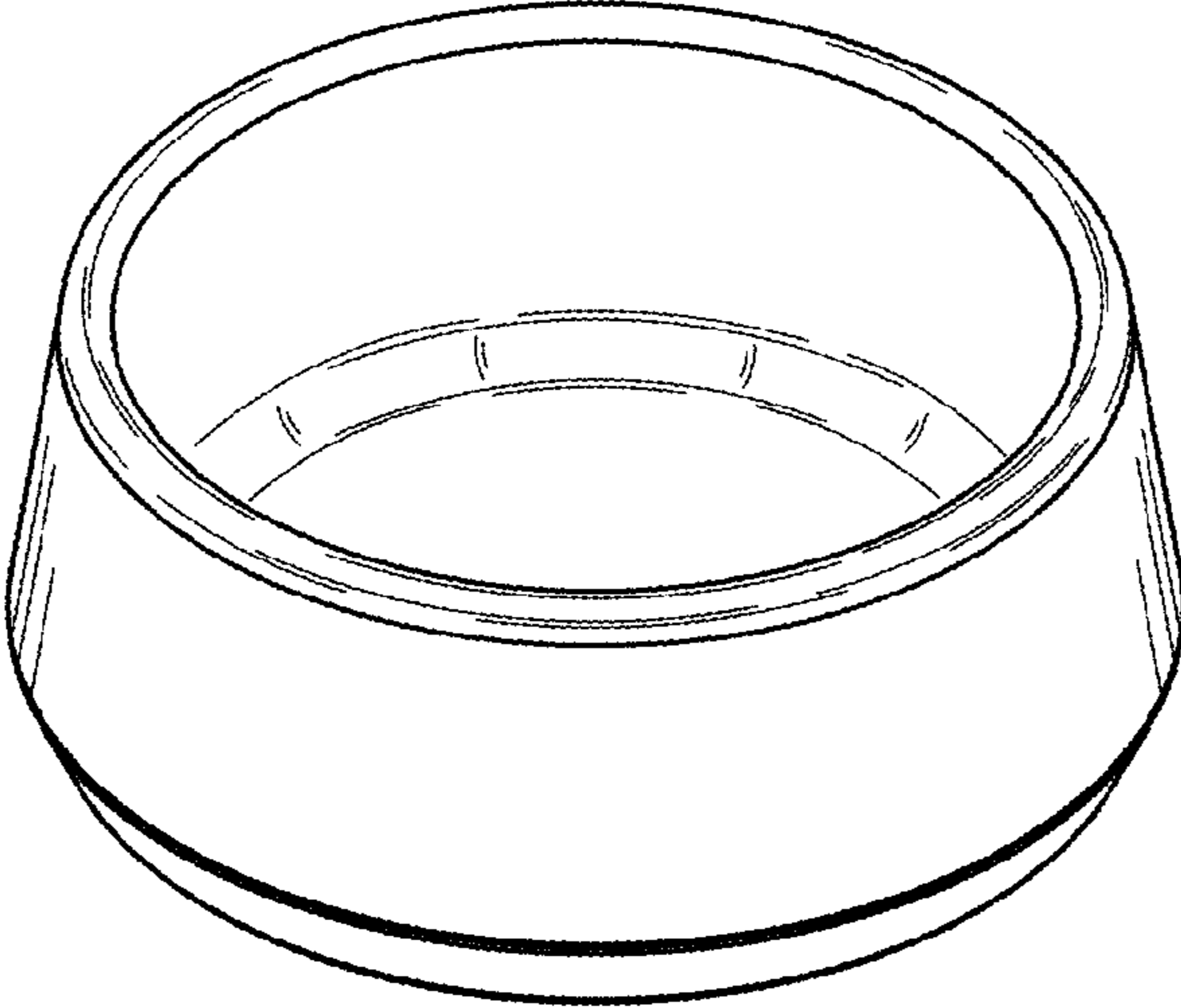
References Cited

U.S. PATENT DOCUMENTS

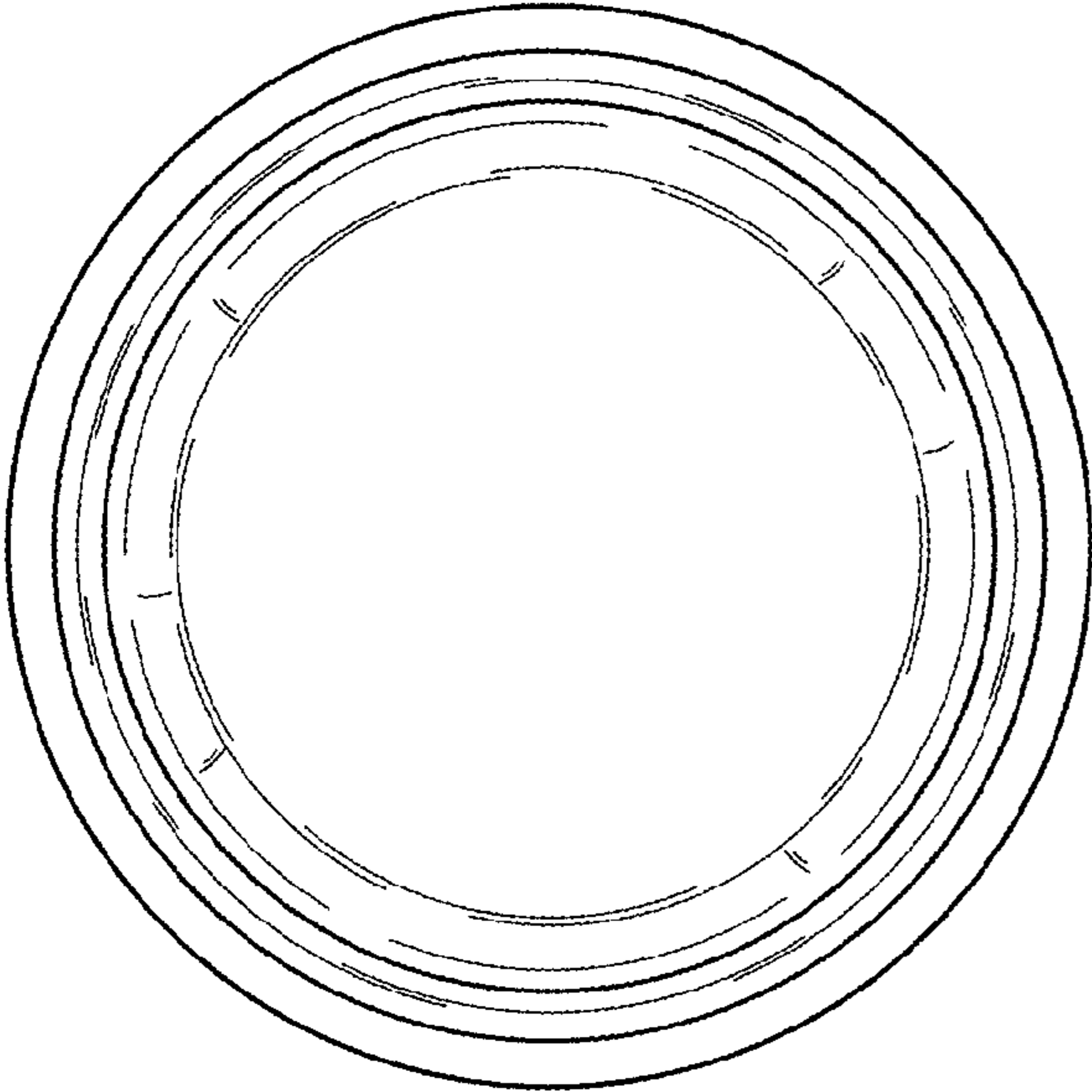
7,467,945 B2 \* 12/2008 Kubicek ..... F23D 3/16  
 431/291  
 7,524,187 B2 \* 4/2009 Kubicek ..... F23D 3/16  
 431/291  
 D598,238 S \* 8/2009 Durdon ..... D7/354  
 7,591,646 B2 \* 9/2009 Adair ..... F23D 3/24  
 431/291  
 D628,443 S \* 12/2010 McTaggart ..... D7/545  
 D631,993 S \* 2/2011 Coelho ..... D26/9  
 D645,705 S \* 9/2011 Shamoon ..... D7/584  
 D702,338 S \* 4/2014 Jones ..... D23/393  
 D702,404 S \* 4/2014 Leung ..... D30/129  
 D714,126 S \* 9/2014 Pyon ..... D8/349  
 D727,090 S \* 4/2015 St. Jacques ..... D7/387  
 D732,891 S \* 6/2015 Bonilla ..... D30/129  
 D735,534 S \* 8/2015 Berlepsch ..... D7/545  
 D763,625 S \* 8/2016 Wright ..... D7/545  
 D776,491 S \* 1/2017 Goldfarb ..... D7/630  
 D783,365 S \* 4/2017 Hsu ..... D7/584  
 D787,274 S \* 5/2017 Gagnon ..... D7/586  
 D812,433 S \* 3/2018 Kwok ..... D7/553.4  
 D836,399 S \* 12/2018 Ko ..... D7/584  
 D837,910 S \* 1/2019 Norcross ..... D30/129  
 D840,760 S \* 2/2019 Carrette ..... D7/602  
 D845,714 S \* 4/2019 Wands ..... D7/543  
 D850,863 S \* 6/2019 Miksovsky ..... D7/584  
 D853,824 S \* 7/2019 Kravchenko ..... D8/354

D862,988 S \* 10/2019 Wiggins ..... D7/587  
 D869,906 S \* 12/2019 Redjal ..... D7/584  
 D878,154 S \* 3/2020 Kim ..... D7/505  
 D879,106 S \* 3/2020 Mecchella ..... D14/251  
 D879,561 S \* 3/2020 Bal ..... D7/545  
 D880,946 S \* 4/2020 Redjal ..... D7/584  
 D890,991 S \* 7/2020 Makabi ..... D28/99  
 D917,973 S \* 5/2021 Duffey ..... D7/587  
 D924,008 S \* 7/2021 Kim ..... D7/505  
 D937,634 S \* 12/2021 Bontrager ..... D7/584  
 D938,820 S \* 12/2021 Sanders ..... D9/454  
 D939,898 S \* 1/2022 Xu ..... D7/587  
 11,346,389 B2 \* 5/2022 Chen ..... F16B 47/00  
 D974,850 S \* 1/2023 Lin ..... D7/584  
 D980,676 S \* 3/2023 Rowe ..... D7/505  
 2006/0285428 A1 \* 12/2006 Paradise ..... A47J 43/0727  
 366/130  
 2008/0067180 A1 \* 3/2008 Schanche ..... A47G 19/02  
 220/574  
 2008/0272019 A1 \* 11/2008 Miller ..... B65D 81/365  
 431/295  
 2013/0320164 A1 \* 12/2013 Pyon ..... F16B 47/00  
 248/206.3  
 2014/0326723 A1 \* 11/2014 Scharfe ..... A47G 19/2283  
 220/574  
 2018/0343826 A1 \* 12/2018 Kumar ..... A01K 5/0135  
 2021/0145195 A1 \* 5/2021 Hakim ..... A47G 19/2261  
 2021/0404510 A1 \* 12/2021 Chen ..... F16B 47/00  
 2022/0390100 A1 \* 12/2022 Miyagi ..... F23D 3/16

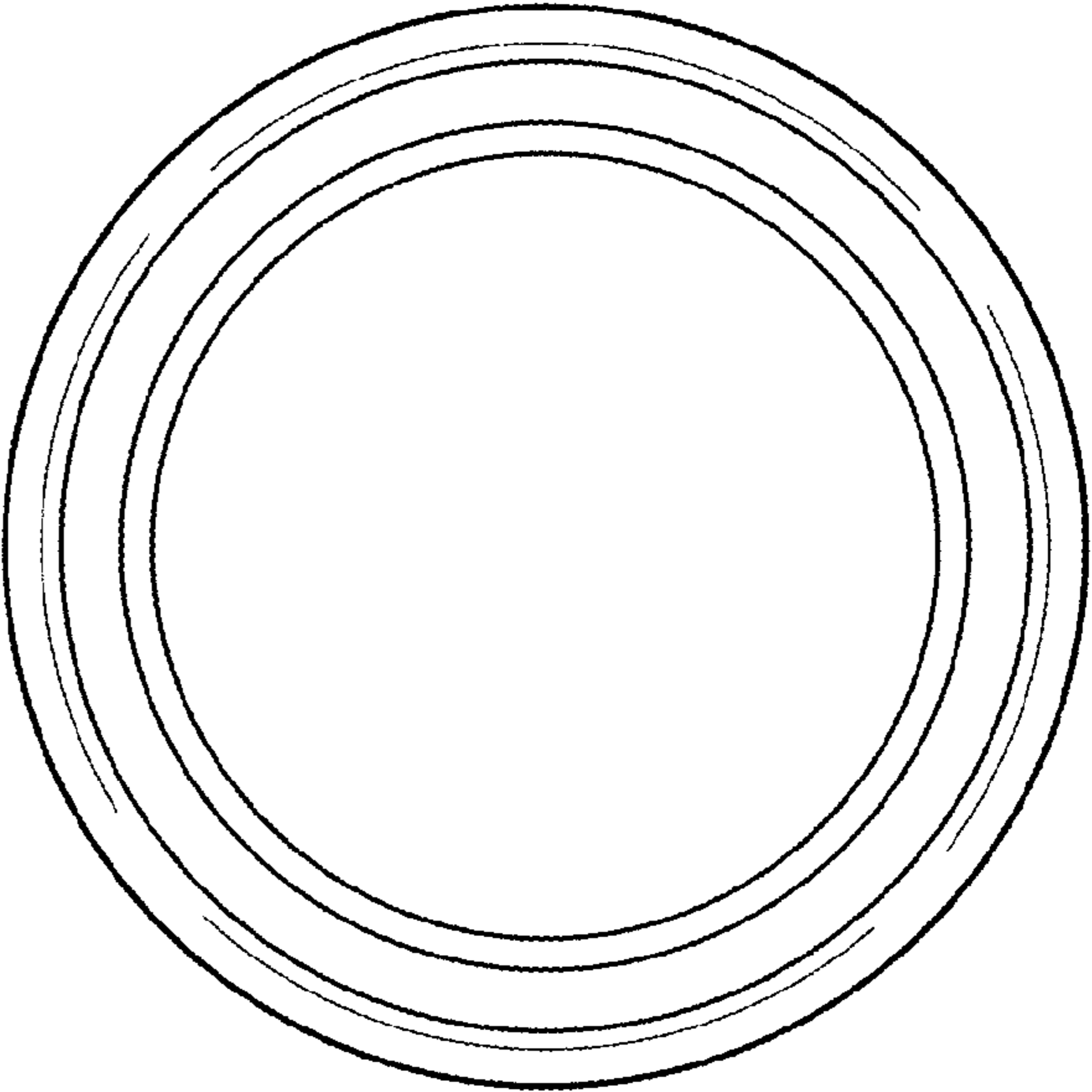
\* cited by examiner



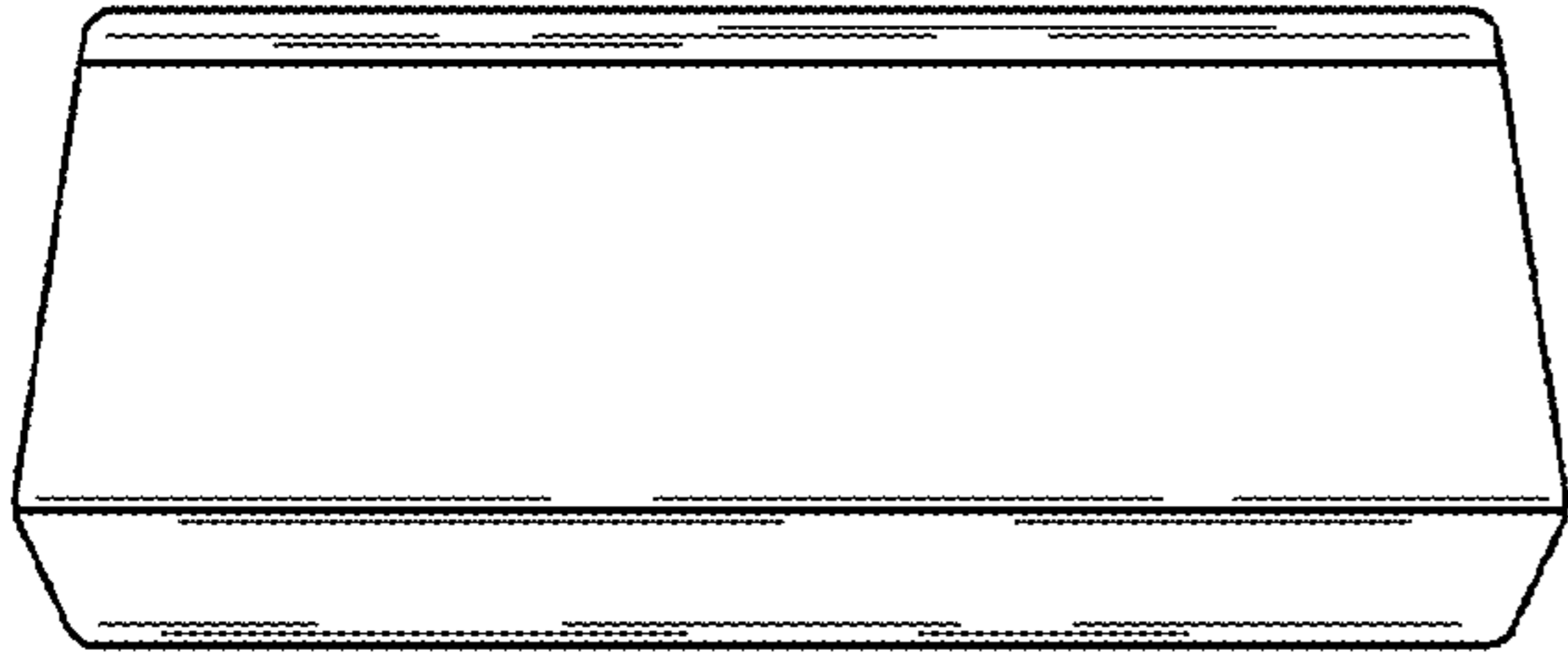
**FIG. 1**



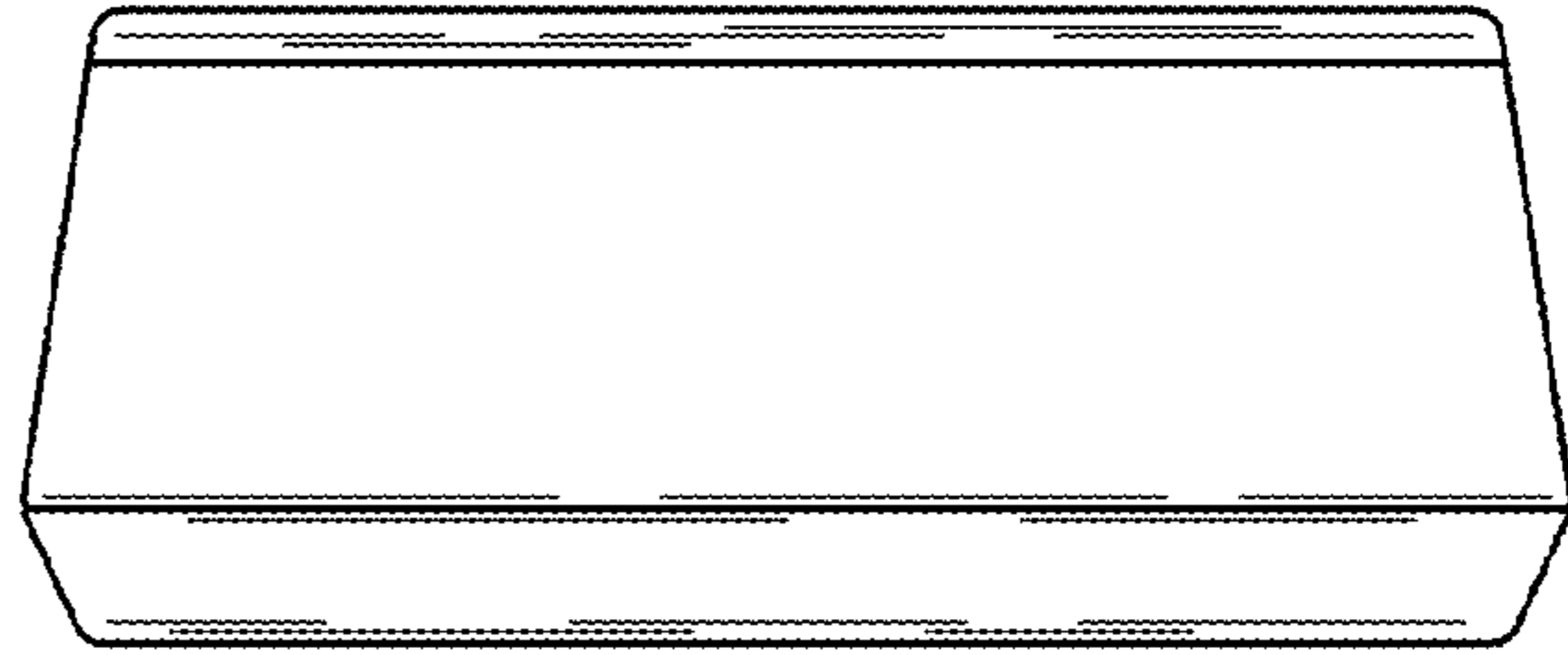
**FIG. 2**



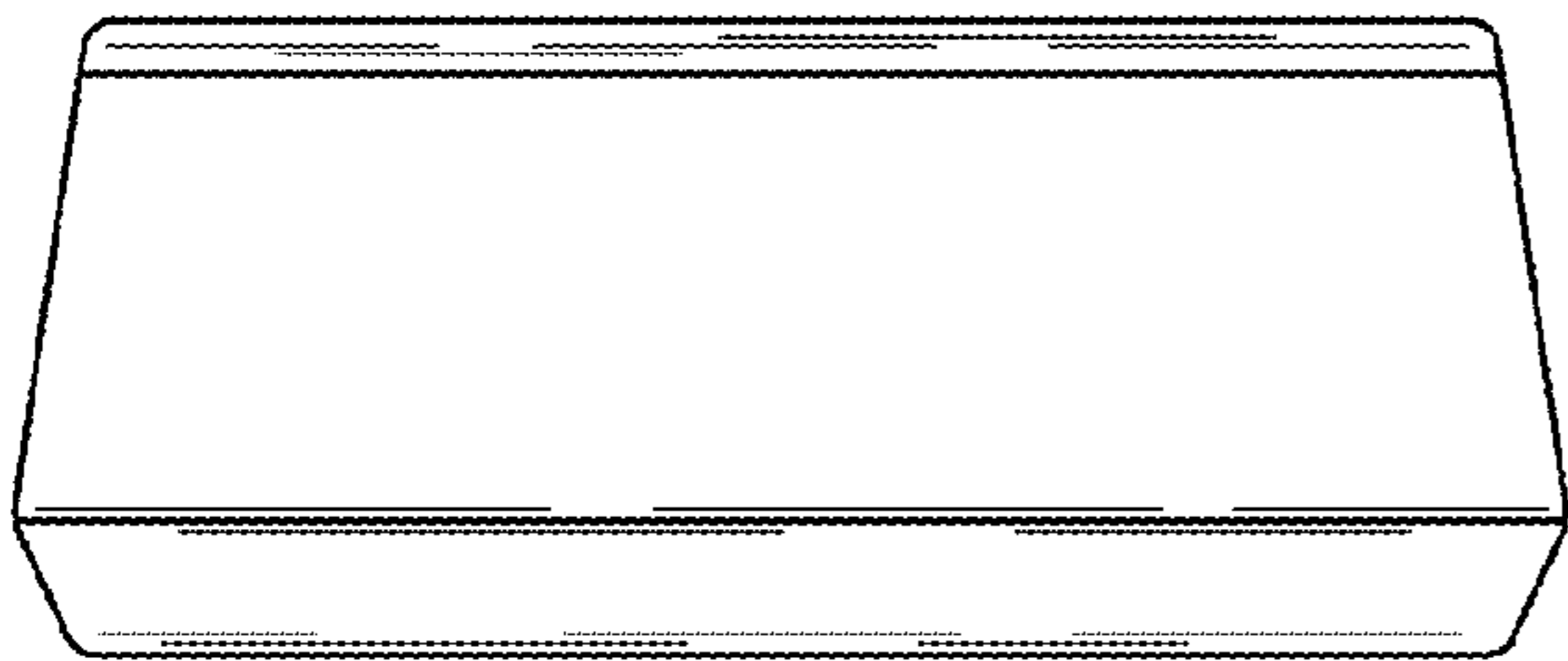
**FIG. 3**



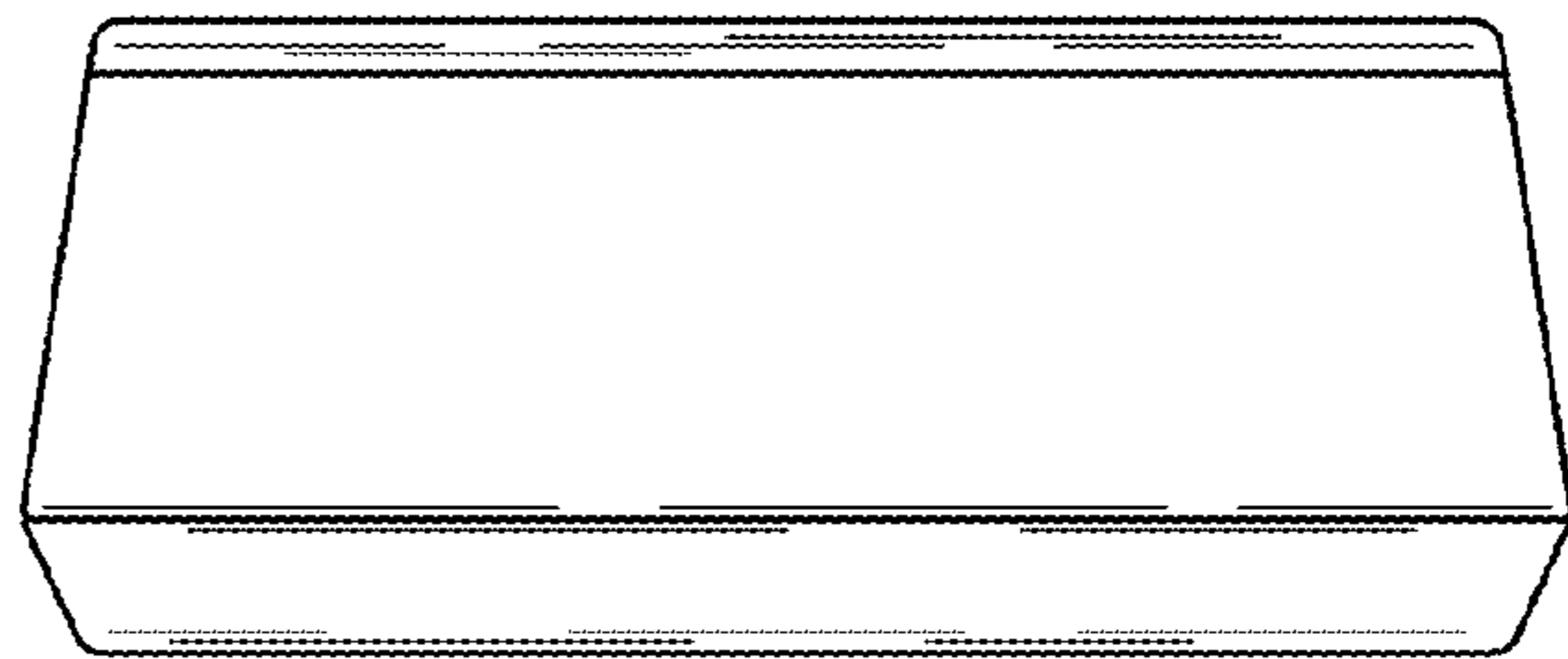
**FIG. 4**



**FIG. 5**

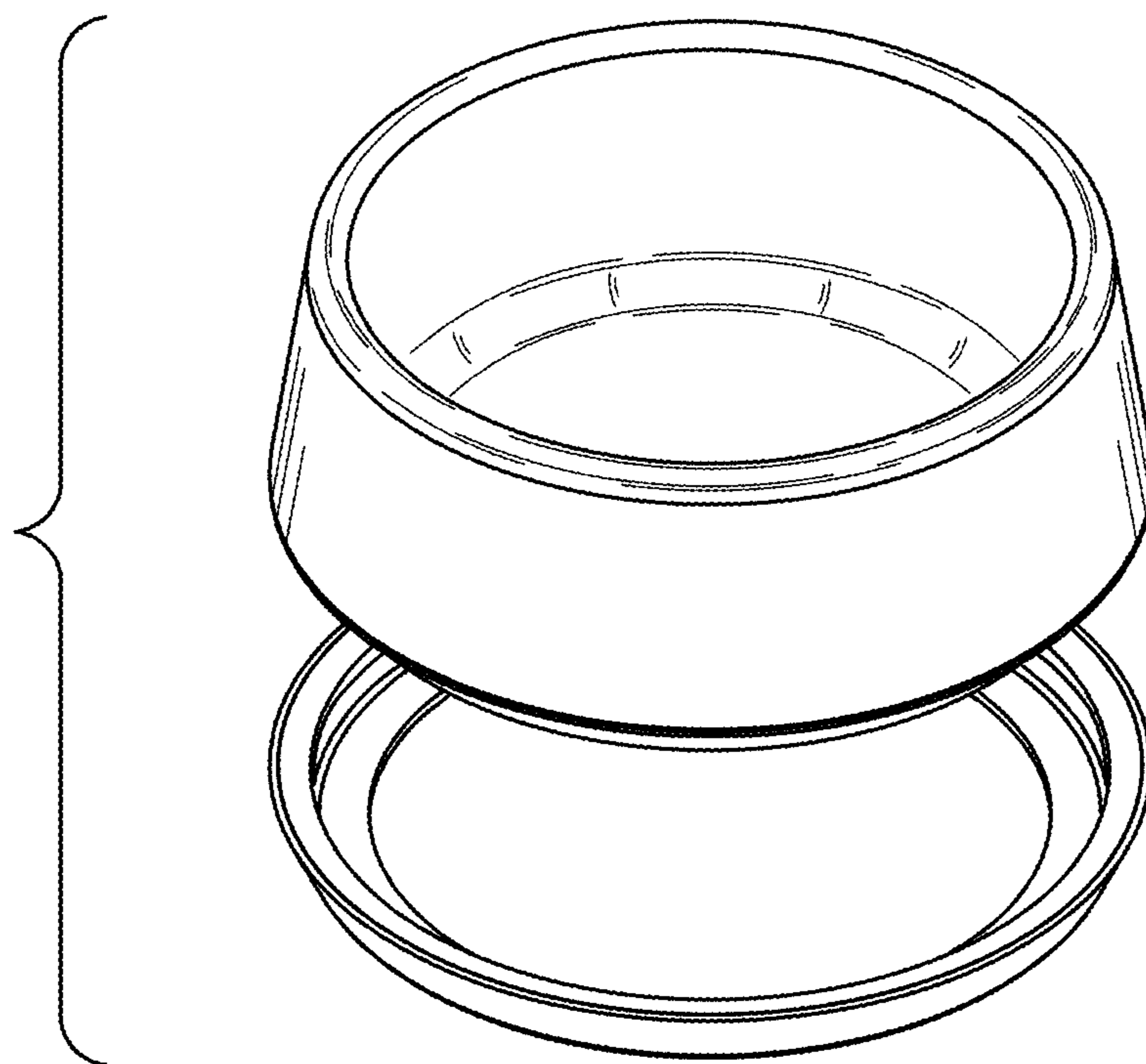


**FIG. 6**



**FIG. 7**





**FIG. 8**