



US00D988805S

(12) **United States Design Patent**
Du

(10) **Patent No.:** **US D988,805 S**

(45) **Date of Patent:** **** Jun. 13, 2023**

(54) **OVAL BEADED TRAY**

(71) Applicant: **Aijie Du**, Fuzhou (CN)

(72) Inventor: **Aijie Du**, Fuzhou (CN)

(73) Assignee: **Aijie Du**, Fuzhou (CN)

(**) Term: **15 Years**

(21) Appl. No.: **29/873,317**

(22) Filed: **Mar. 29, 2023**

(51) **LOC (14) Cl.** **07-01**

(52) **U.S. Cl.**
USPC **D7/554.2**

(58) **Field of Classification Search**
USPC D6/406.1, 406.3, 406.5; D7/500, 550.1,
D7/552.2, 553.6, 554.2, 396.1, 397
CPC A47B 13/08; A47B 23/08; A47G 23/06;
A47G 47/14
See application file for complete search history.

(56) **References Cited**

U.S. PATENT DOCUMENTS

- D50,387 S * 2/1917 Ittig D7/550.1
- D61,225 S * 7/1922 Gannon D7/550.1
- D66,633 S * 2/1925 Karsh D7/550.1

- D177,187 S * 3/1956 Melich D7/602
- D204,784 S * 5/1966 O'Neil D28/99
- D243,139 S * 1/1977 Nicholas D7/545
- D298,001 S * 10/1988 Perry D7/544
- D379,134 S * 5/1997 Joergensen D7/548
- D385,156 S * 10/1997 Bouldstridge Balari ... D7/554.2
- D408,686 S * 4/1999 Lillielund D7/554.2
- D490,656 S * 6/2004 Levien
- D591,111 S * 4/2009 Rzeczkowski D7/552.2
- D650,238 S * 12/2011 Klein D7/554.2

* cited by examiner

Primary Examiner — Kelley A Donnelly

(74) *Attorney, Agent, or Firm* — Nitin Kaushik

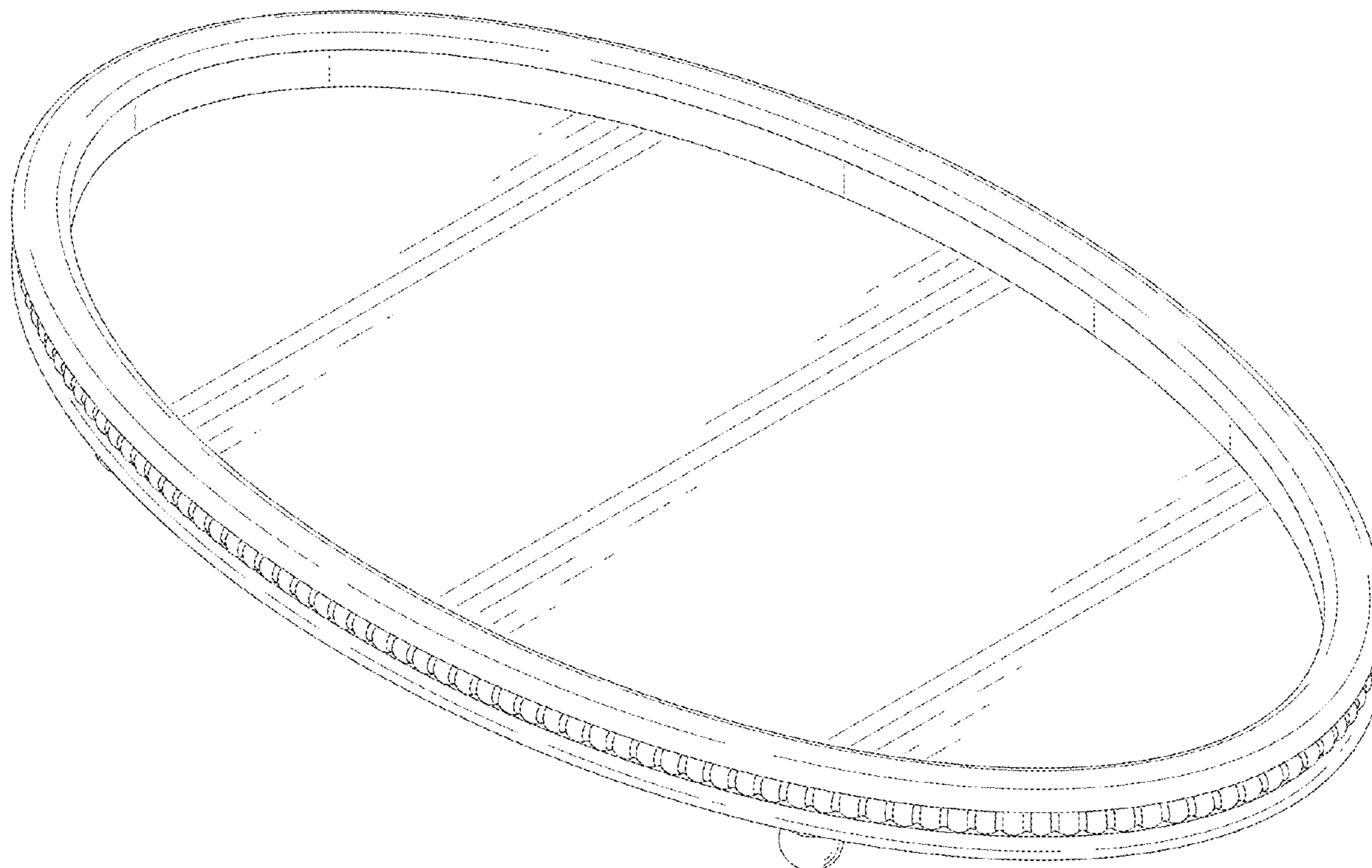
(57) **CLAIM**

The ornamental design for an oval beaded tray, as shown and described.

DESCRIPTION

FIG. 1 is a top perspective view of an oval beaded tray, showing my new design;
 FIG. 2 is a bottom perspective view thereof;
 FIG. 3 is a front view thereof;
 FIG. 4 is a rear view thereof;
 FIG. 5 is a left side view thereof;
 FIG. 6 is a right side view thereof;
 FIG. 7 is a top view thereof; and,
 FIG. 8 is a bottom view thereof.

1 Claim, 8 Drawing Sheets



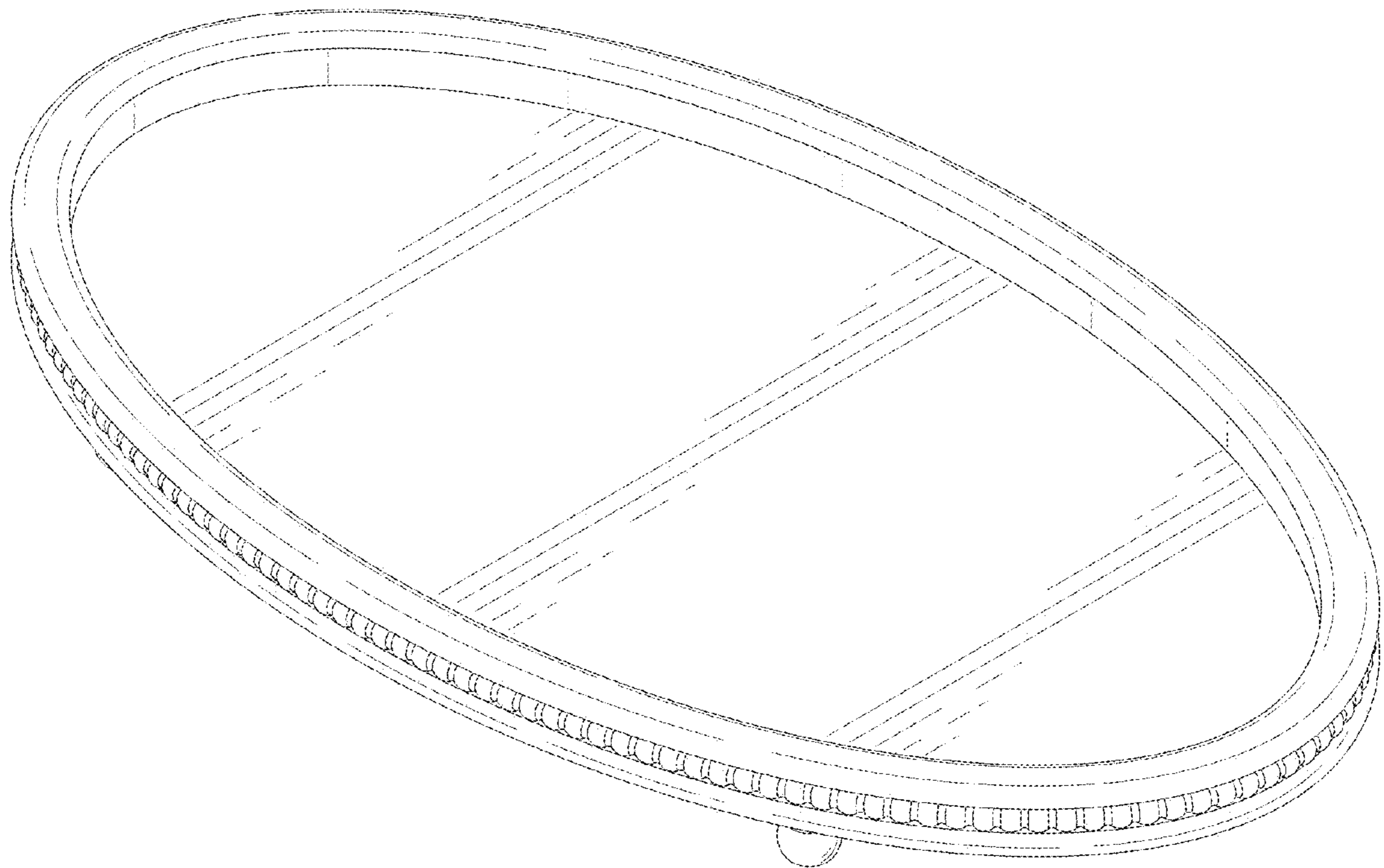


FIG. 1

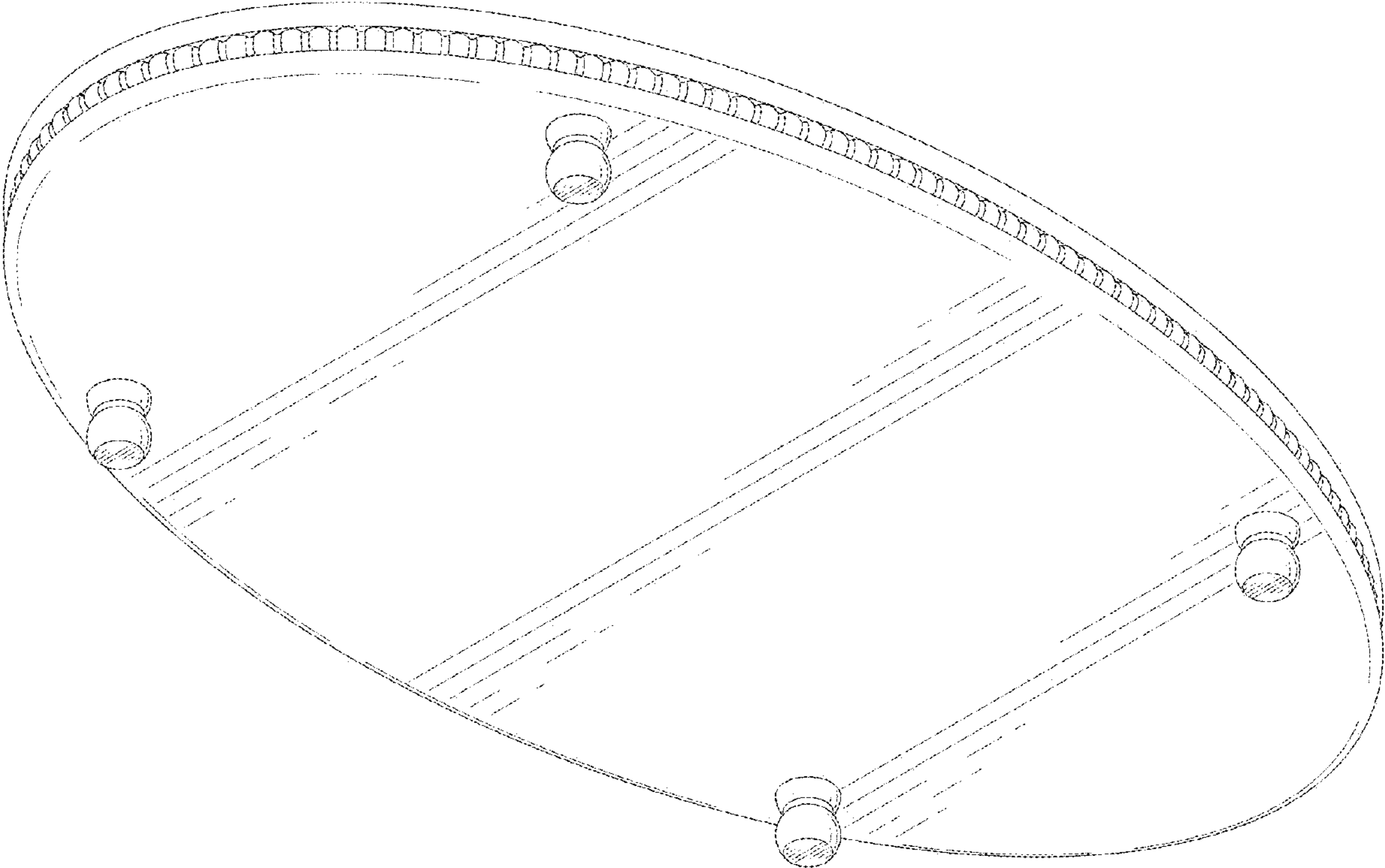


FIG. 2

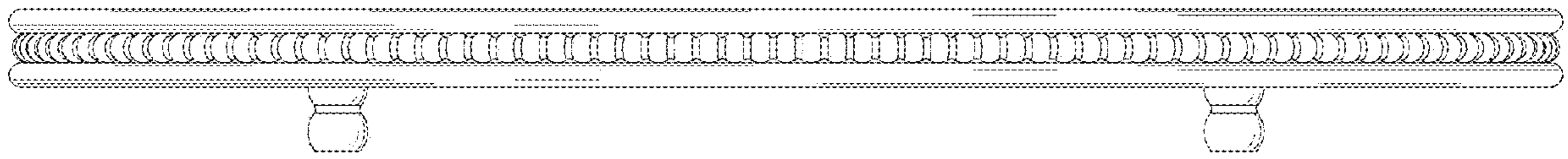


FIG. 3

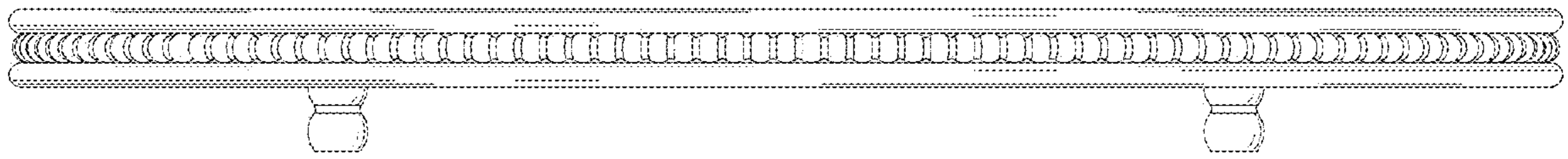


FIG. 4

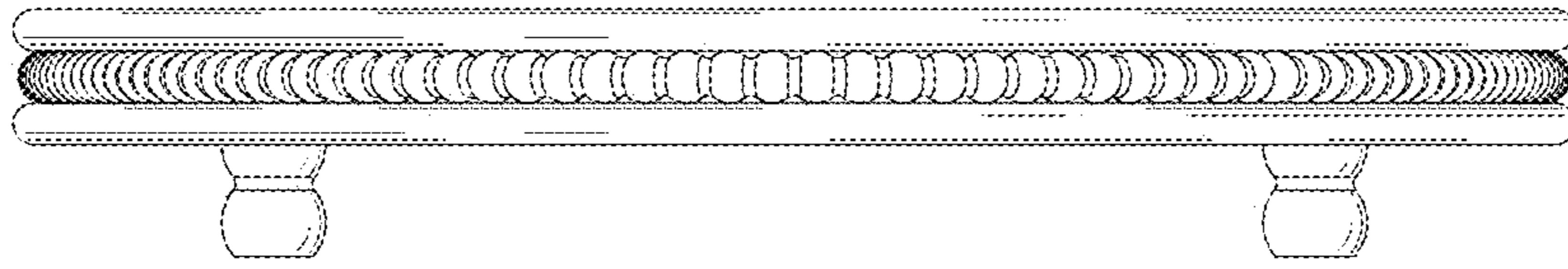


FIG. 5

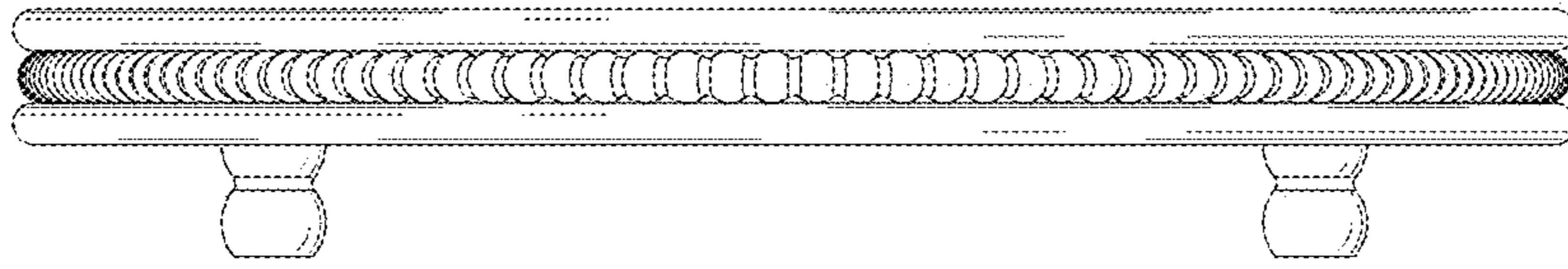


FIG. 6

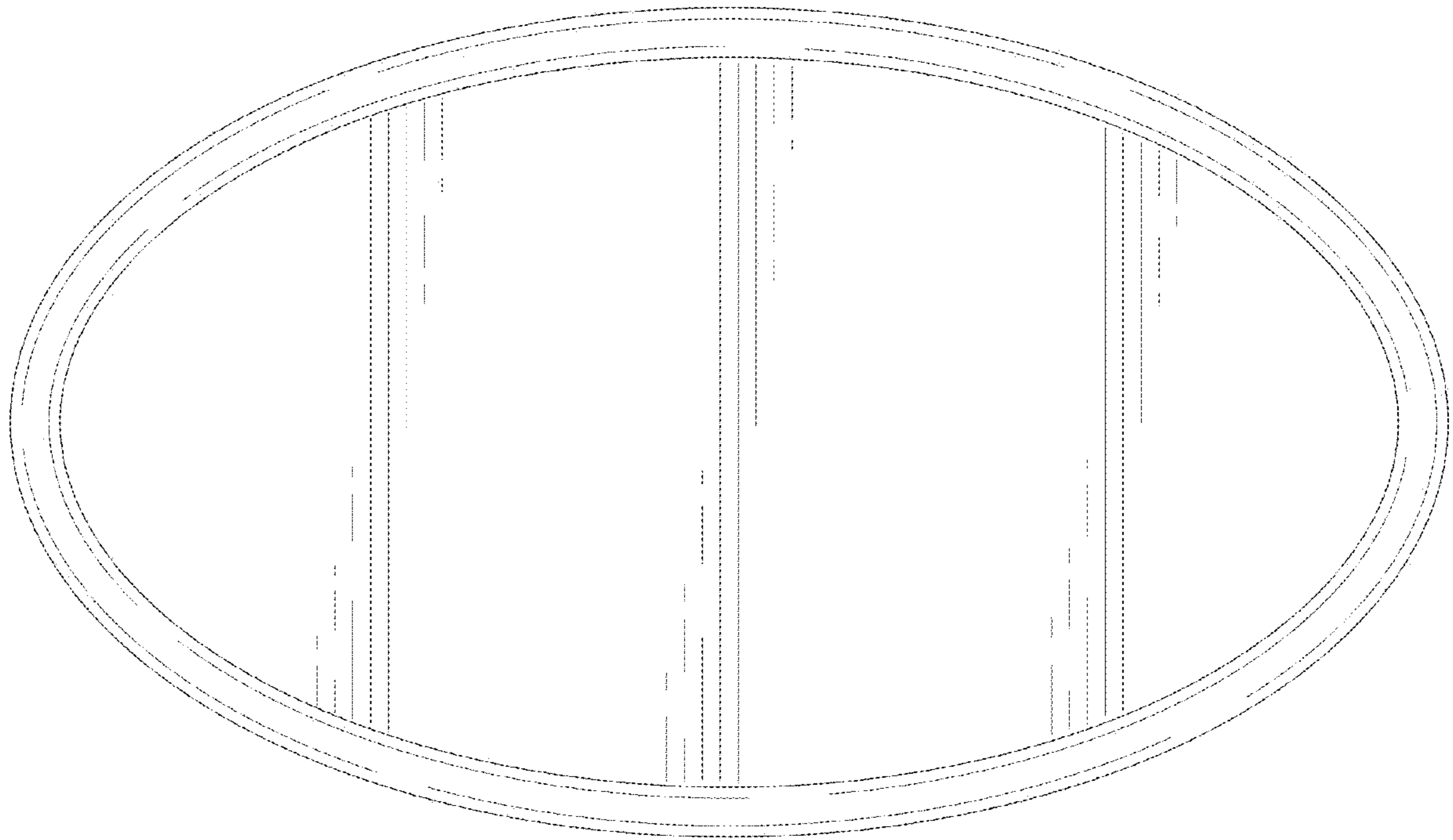


FIG. 7

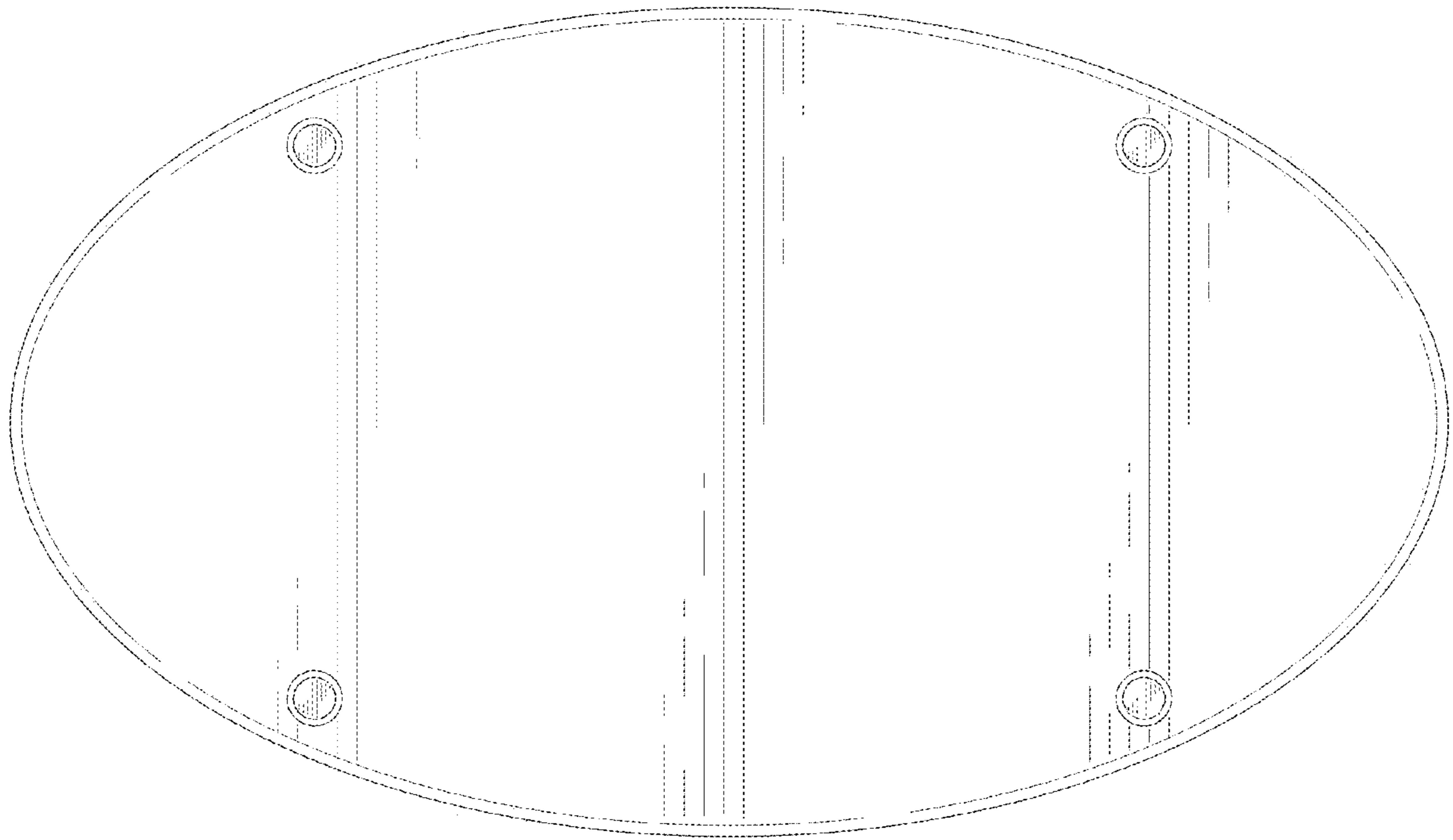


FIG. 8