



US00D988804S

(12) **United States Design Patent** (10) **Patent No.:** **US D988,804 S**
Koss et al. (45) **Date of Patent:** **** Jun. 13, 2023**

(54) **SILVERWARE TRAY**
(71) Applicant: **DV International Inc.**, St. Paul, MN (US)
(72) Inventors: **Jason Koss**, New Hope, MN (US); **Taylor Hill**, St. Paul, MN (US)

D876,836 S * 3/2020 Stevens D3/313
D906,060 S * 12/2020 Stevens D7/637
D932,649 S * 10/2021 Tomes D24/227
D941,026 S * 1/2022 Stevens D3/313
2004/0004420 A1* 1/2004 Pine A47B 88/994
312/348.3

(**) Term: **15 Years**
(21) Appl. No.: **29/775,596**
(22) Filed: **Mar. 24, 2021**
(51) **LOC (14) Cl.** **07-01**
(52) **U.S. Cl.**
USPC **D7/553.2**
(58) **Field of Classification Search**
USPC D3/304; D7/550.1, 553.1, 553.2,
D7/637-641
CPC A47B 81/04; A47F 7/00; A47F 7/0021;
A47G 21/00; A47G 29/08; A47J 47/16;
B65D 1/34; B65D 1/36
See application file for complete search history.

OTHER PUBLICATIONS

https://www.amazon.com/Silverware-Organizer-Sections-Lavish-Home/dp/B072V9KGMH/ref=sr_1_47?crd=1HRR42GLUEJZ5&keywords=silverware%2Btray&qid=1650288786&srefix=silverware%2Btray%2Caps%2C87&sr=8-47&th=1.

* cited by examiner

Primary Examiner — Kelley A Donnelly
(74) *Attorney, Agent, or Firm* — Pauly, DeVries Smith & Deffner LLC

(57) **CLAIM**

The ornamental design for a silverware tray, as shown and described.

DESCRIPTION

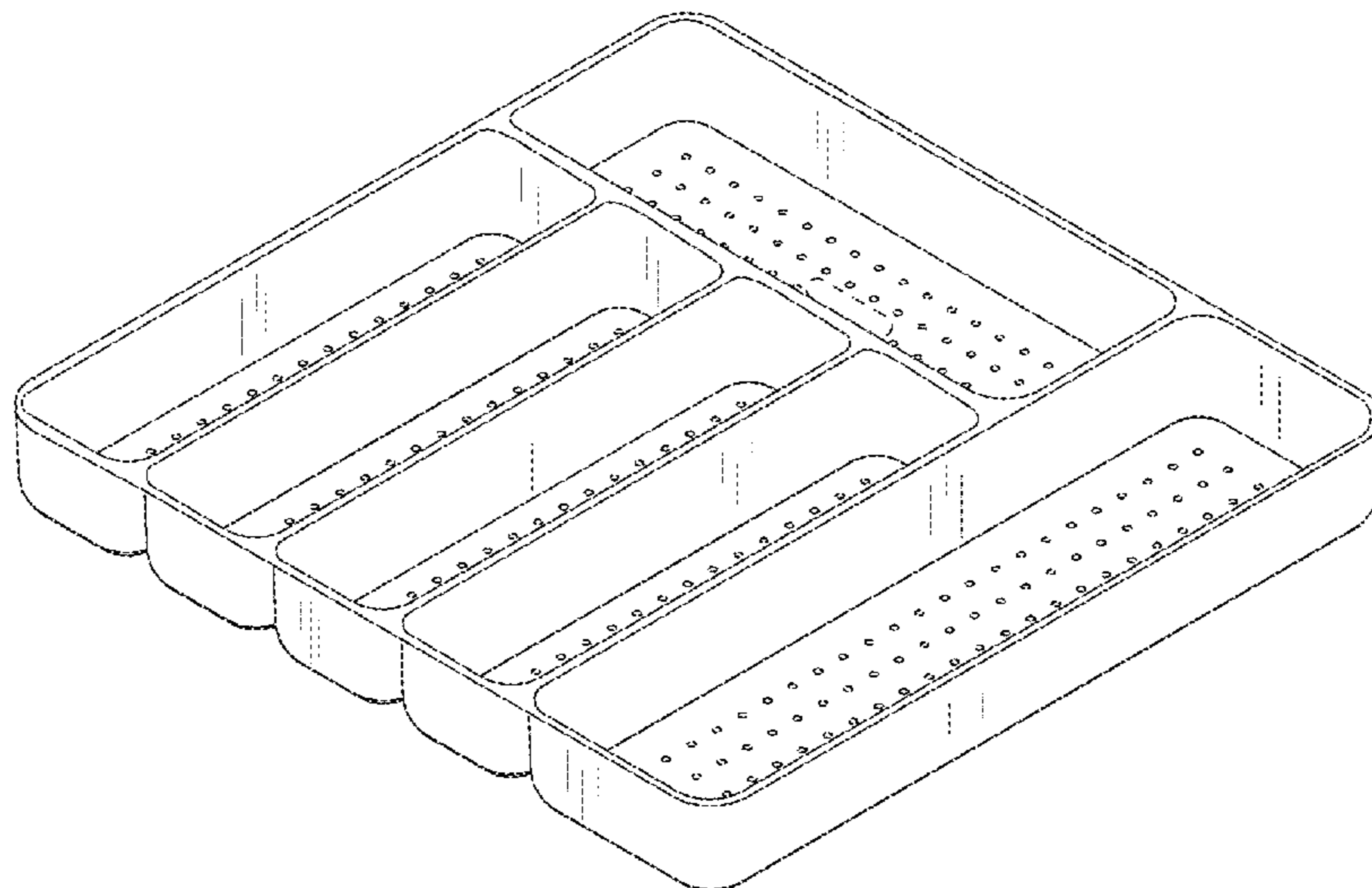
(56) **References Cited**

U.S. PATENT DOCUMENTS

D233,486 S * 10/1974 Gonzalez D7/553.2
D332,553 S * 1/1993 Giugiaro D7/637
D353,078 S * 12/1994 Davis D7/637
D365,730 S * 1/1996 Brightbill D3/313
D367,172 S * 2/1996 Brightbill D7/553.3
D434,952 S * 12/2000 Diehl D7/637
D527,229 S * 8/2006 Joy D7/637
D605,896 S * 12/2009 Zalewski D7/553.1
8,047,373 B2 * 11/2011 Murphy A47B 88/90
206/553
D660,085 S * 5/2012 Boone D7/553.2
D660,086 S * 5/2012 Buchman D7/553.2
D667,278 S * 9/2012 Murphy D7/637
D672,395 S * 12/2012 Chuang D19/77
D680,379 S * 4/2013 Lackey D7/553.2
D707,501 S * 6/2014 Breuss D7/641
D708,022 S * 7/2014 Breuss D7/641
D711,691 S * 8/2014 Hu D7/637
D746,643 S * 1/2016 Kraemer D7/637

FIG. 1 is a top, front, right-side perspective view of a silverware tray.
FIG. 2 is a front elevational view of the silverware tray of FIG. 1.
FIG. 3 is a rear elevational view of the silverware tray of FIG. 1.
FIG. 4 is a right-side elevational view of the silverware tray of FIG. 1.
FIG. 5 is a left-side elevational view of the silverware tray of FIG. 1.
FIG. 6 is a top plan view of the silverware tray of FIG. 1; and,
FIG. 7 is a bottom plan view of the silverware tray of FIG. 1.
The broken lines in the drawings illustrate portions of the silverware tray that form no part of the claim.

1 Claim, 7 Drawing Sheets



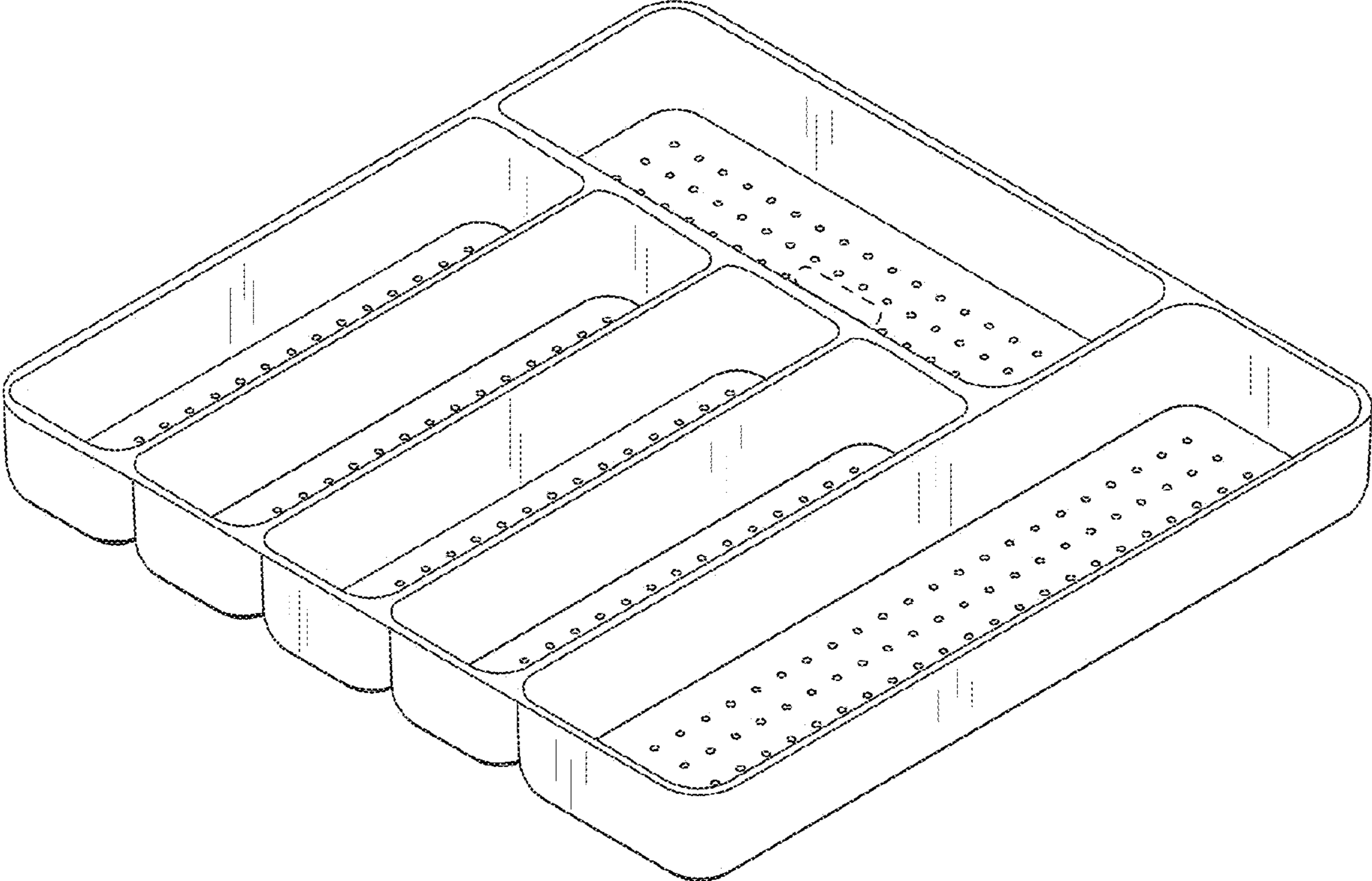


FIG. 1

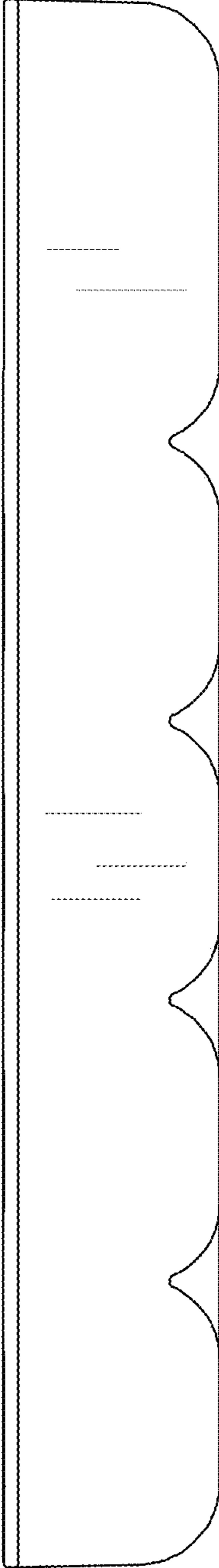


FIG. 2

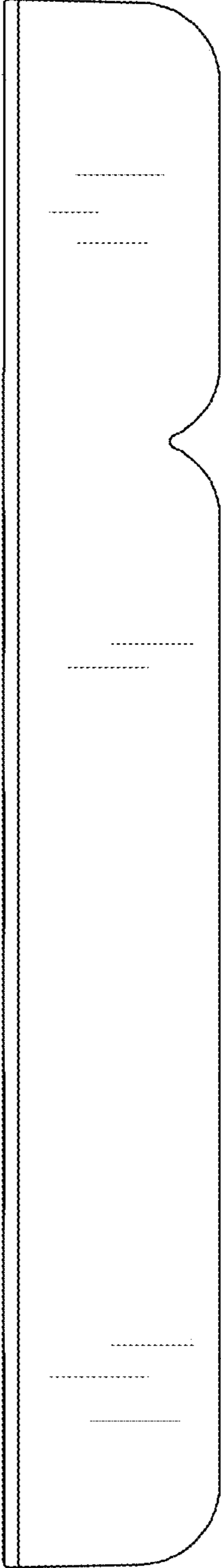


FIG. 3

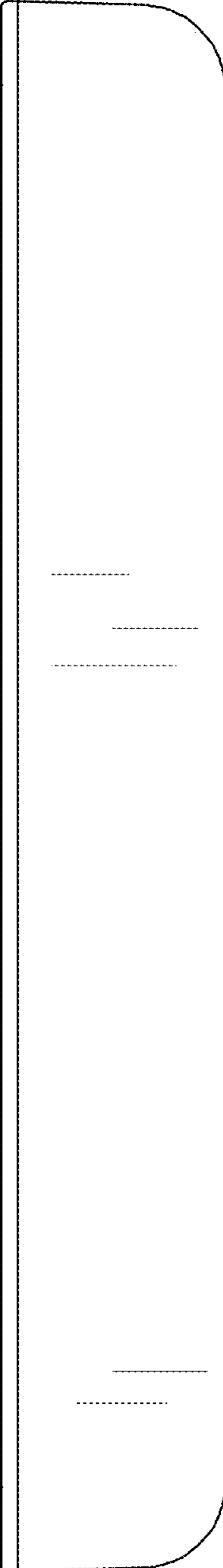


FIG. 4

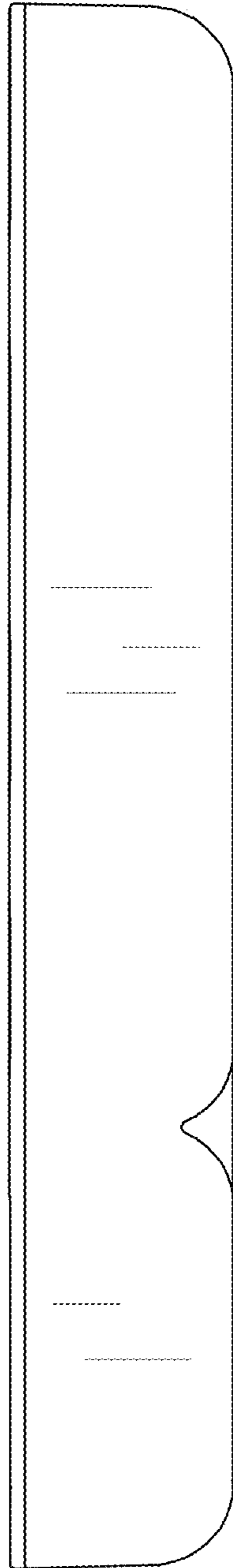


FIG. 5

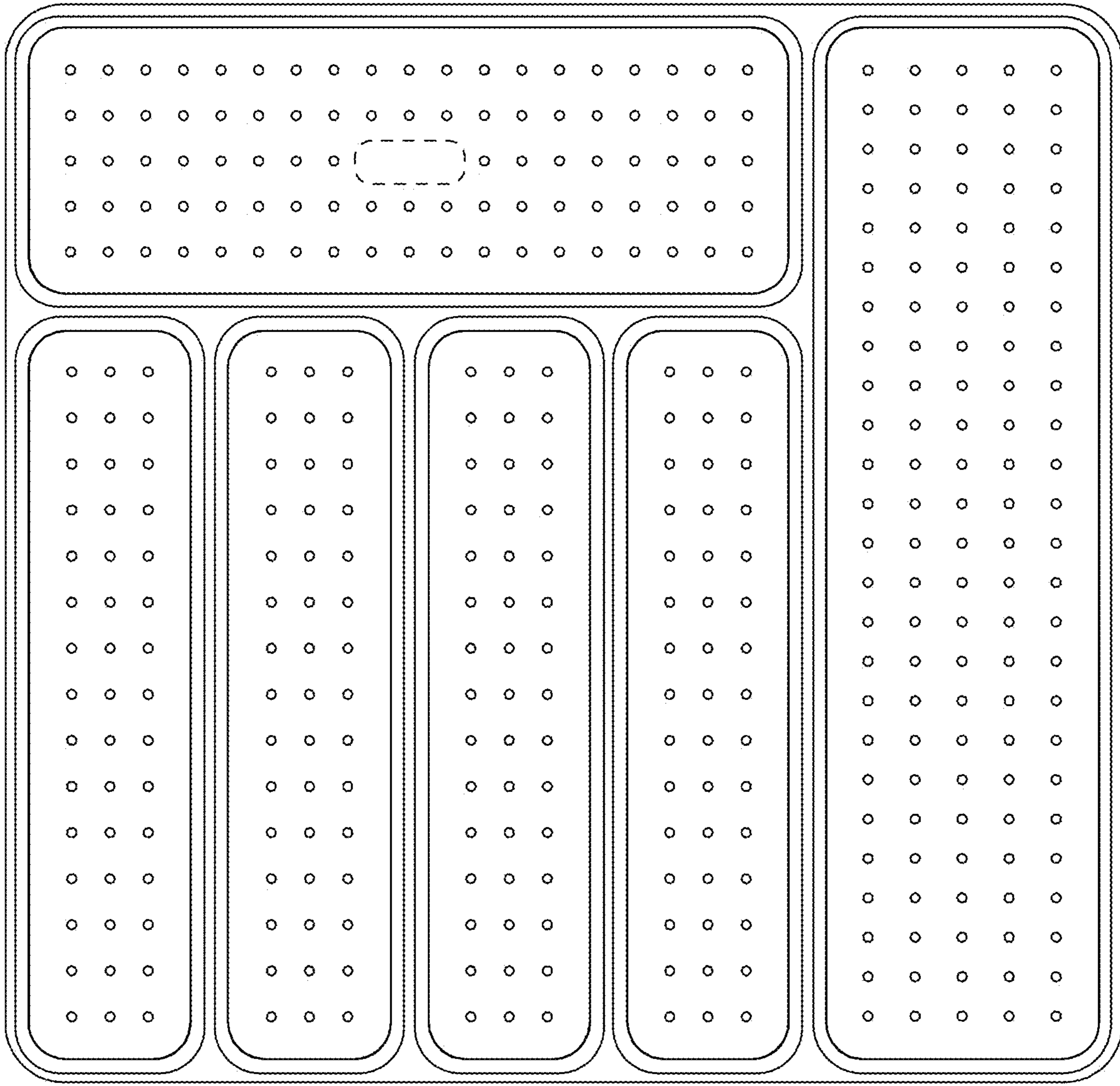


FIG. 6

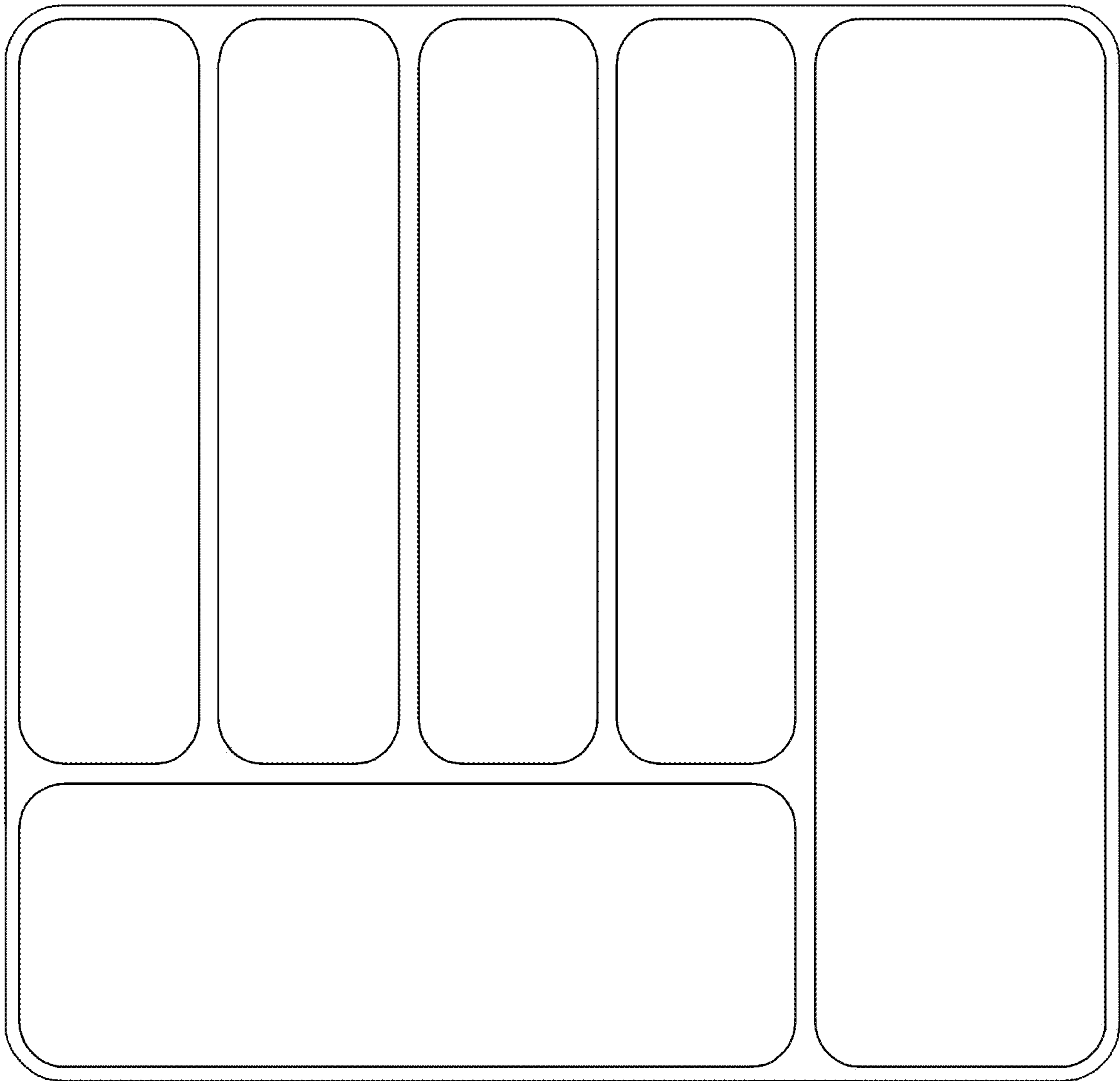


FIG. 7