



US00D988798S

(12) **United States Design Patent** (10) **Patent No.:** **US D988,798 S**
Jacob (45) **Date of Patent:** **** Jun. 13, 2023**

(54) **BEVERAGE CONTAINER WITH LID**

(71) Applicant: **BruMate, Inc.**, Dover, DE (US)

(72) Inventor: **Dylan M. Jacob**, Denver, CO (US)

(73) Assignee: **BruMate Inc.**, Denver, CO (US)

(**) Term: **15 Years**

(21) Appl. No.: **29/766,612**

(22) Filed: **Jan. 15, 2021**

(51) **LOC (14) Cl.** **07-01**

(52) **U.S. Cl.**
USPC **D7/510; D9/566**

(58) **Field of Classification Search**
USPC D7/507, 523, 509, 510, 511, 392.1,
D7/396.1, 396.2, 608, 900, 531, 543,
D7/300.1, 378; D3/202; D9/566
CPC . A47G 19/2205; A47G 19/2272; A47J 41/00;
Y10S 220/903; B65D 43/00
See application file for complete search history.

(56) **References Cited**

U.S. PATENT DOCUMENTS

D99,363 S *	4/1936	Norman	D9/566
D115,343 S *	6/1939	Burgund	D9/566
D115,388 S *	6/1939	Burgund	D9/560
2,731,189 A *	1/1956	Moore	B65D 5/321
				D7/509
D289,356 S *	4/1987	Tanaka	D7/523
D309,567 S *	7/1990	Desgrippes	D9/566
D333,196 S *	2/1993	Dziersk	D34/1
D369,978 S *	5/1996	Mohamed	D9/566
D411,460 S *	6/1999	Nobuto	D9/566
D513,186 S *	12/2005	Dehaene	D9/566
D559,039 S *	1/2008	Freeman	D7/509
D568,752 S *	5/2008	Varlet	D9/546
D573,892 S *	7/2008	Moretti	D9/560
D659,472 S *	5/2012	D'Amato	D7/509
D682,088 S *	5/2013	de Urquijo Carmona	D9/428
D694,640 S *	12/2013	Infahsaeng	D9/569

D694,641 S *	12/2013	Infahsaeng	D9/569
D694,642 S *	12/2013	Infahsaeng	D9/569
D805,352 S *	12/2017	Thuma	D34/1
D810,582 S *	2/2018	Lee	D9/682

(Continued)

FOREIGN PATENT DOCUMENTS

CA	176713	*	5/2018
CN	303788151	*	8/2016

OTHER PUBLICATIONS

Brumate [online] URL: <https://www.amazon.com/Shatterproof-Insulated-Stainless-Cocktails-Splash-Proof/dp/B07NBFDBBT> (site visited: Jul. 7, 2022) (Year: 2019).*

(Continued)

Primary Examiner — Michael C Stout
Assistant Examiner — Tia Ruth-Renee Polidori
(74) *Attorney, Agent, or Firm* — Shook, Hardy & Bacon LLP

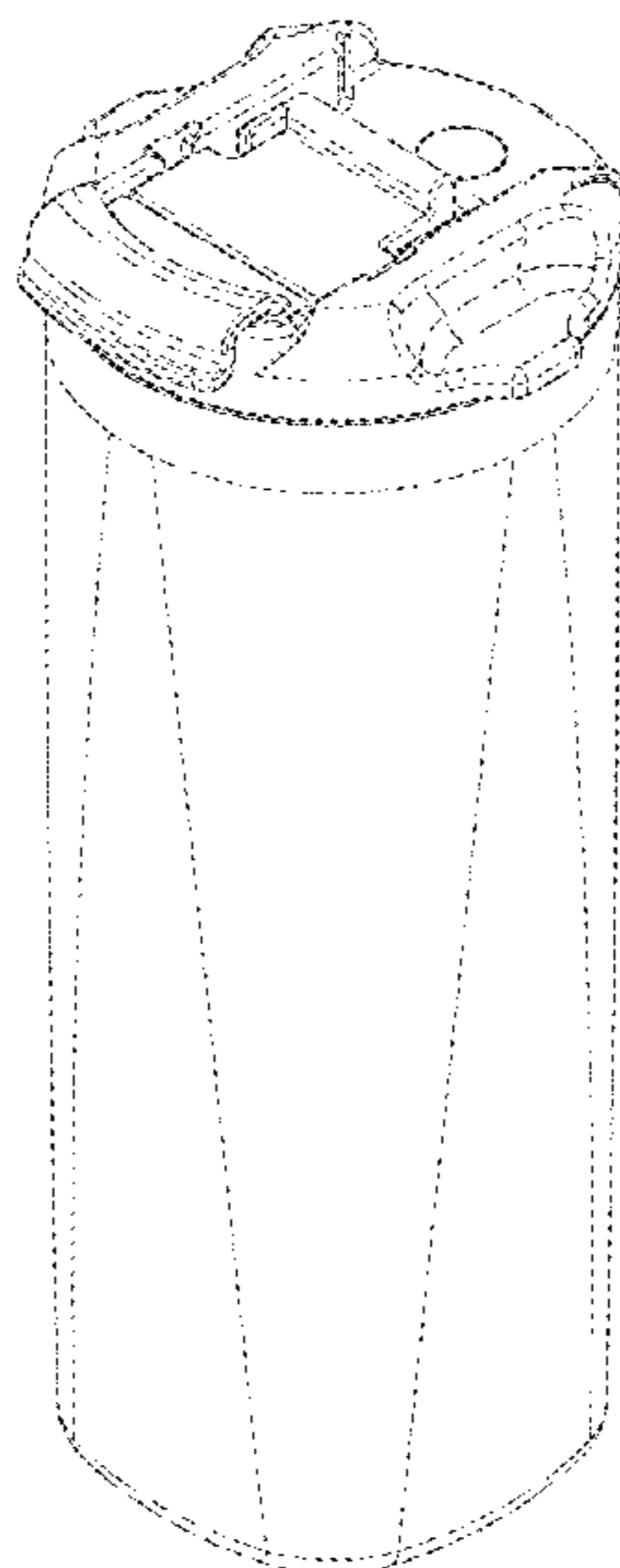
(57) **CLAIM**

The ornamental design for a beverage container with lid, as shown and described.

DESCRIPTION

FIG. 1 is a front elevation view of a beverage container with lid showing my new design;
FIG. 2 is a rear elevation view thereof;
FIG. 3 is a left side elevation view thereof;
FIG. 4 is a right side elevation view thereof;
FIG. 5 is a top view plan thereof;
FIG. 6 is a bottom plan view thereof; and,
FIG. 7 is a top perspective view thereof.
The dot-dash lines depict boundaries and form no part of the claimed design. The portions of the beverage container with lid shown in even-dashed broken lines form no part of the claimed design.

1 Claim, 6 Drawing Sheets



(56)

References Cited

U.S. PATENT DOCUMENTS

D817,718 S * 5/2018 Furneaux D7/532
D833,889 S * 11/2018 Hurst D9/566
D838,140 S * 1/2019 Furneaux D7/532
D863,968 S * 10/2019 Miloserdova D9/546
D863,970 S * 10/2019 Dammers D9/560
D885,924 S * 6/2020 Sanghavi D9/559
D886,528 S * 6/2020 Omdahl, II D7/511
D909,816 S * 2/2021 Omdahl, II D7/523
D929,185 S * 8/2021 Omdahl, II D7/511
D935,845 S * 11/2021 Chen D7/510
D957,884 S * 7/2022 Jacob D7/510
D958,599 S * 7/2022 Jacob D7/510
D959,923 S * 8/2022 Jacob D7/608
D961,999 S * 8/2022 Ni D7/511
D970,968 S * 11/2022 Gu D7/532
2022/0225803 A1 * 7/2022 Jacob B65D 43/02

OTHER PUBLICATIONS

Brumate [online] URL: <https://www.amazon.com/Br%C3%BCMate-Highball-Insulated-Cocktail-Splash-proof/dp/B084316MYD> (site visited: Jul. 7, 2022) (Year: 2020).*

Zak [online] URL: <https://www.target.com/p/zak-designs-20oz-double-wall-stainless-steel-latah-tumbler/-/A-79545424?preselect=79848484#Ink=sametab> (site visited: Jul. 7, 2022) (Year: 2020).*

Branched Out Brumate [online] URL: <https://web.archive.org/web/20210731123110/https://ibranchedit.com/products/hopsulator-trio-duo-bevlock™-leak-proof-lid> (site visited: Jul. 8, 2022) (Year: 2021).*

Non-Final Office Action dated Jul. 15, 2022 in U.S. Appl. No. 29/766,611, 9 pages.

* cited by examiner

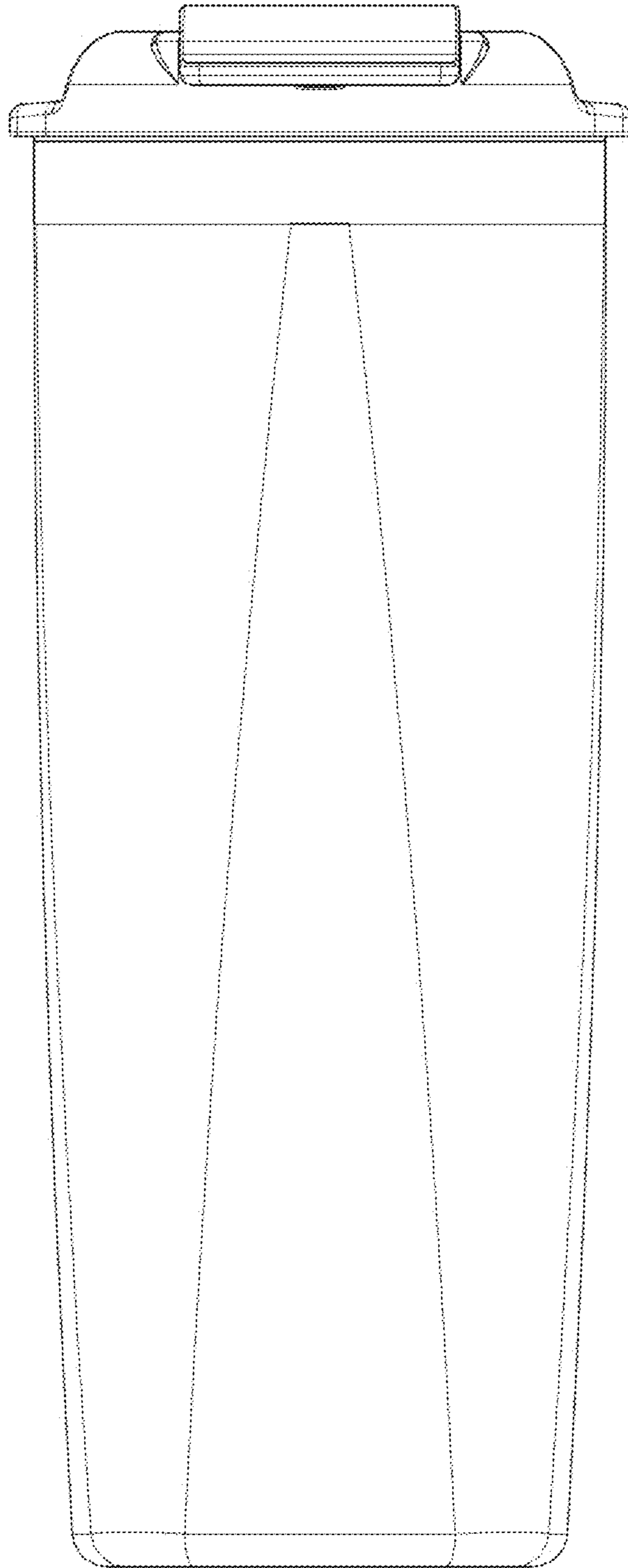


FIG. 1

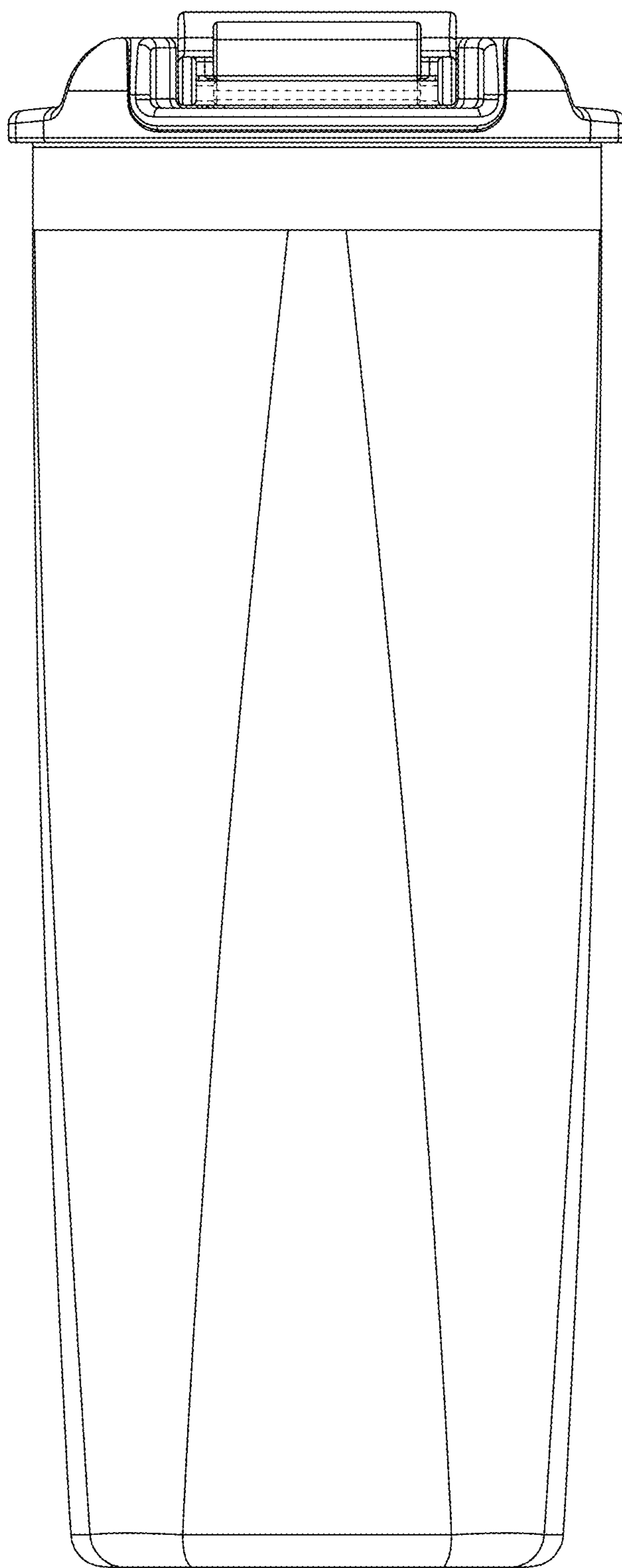


FIG. 2

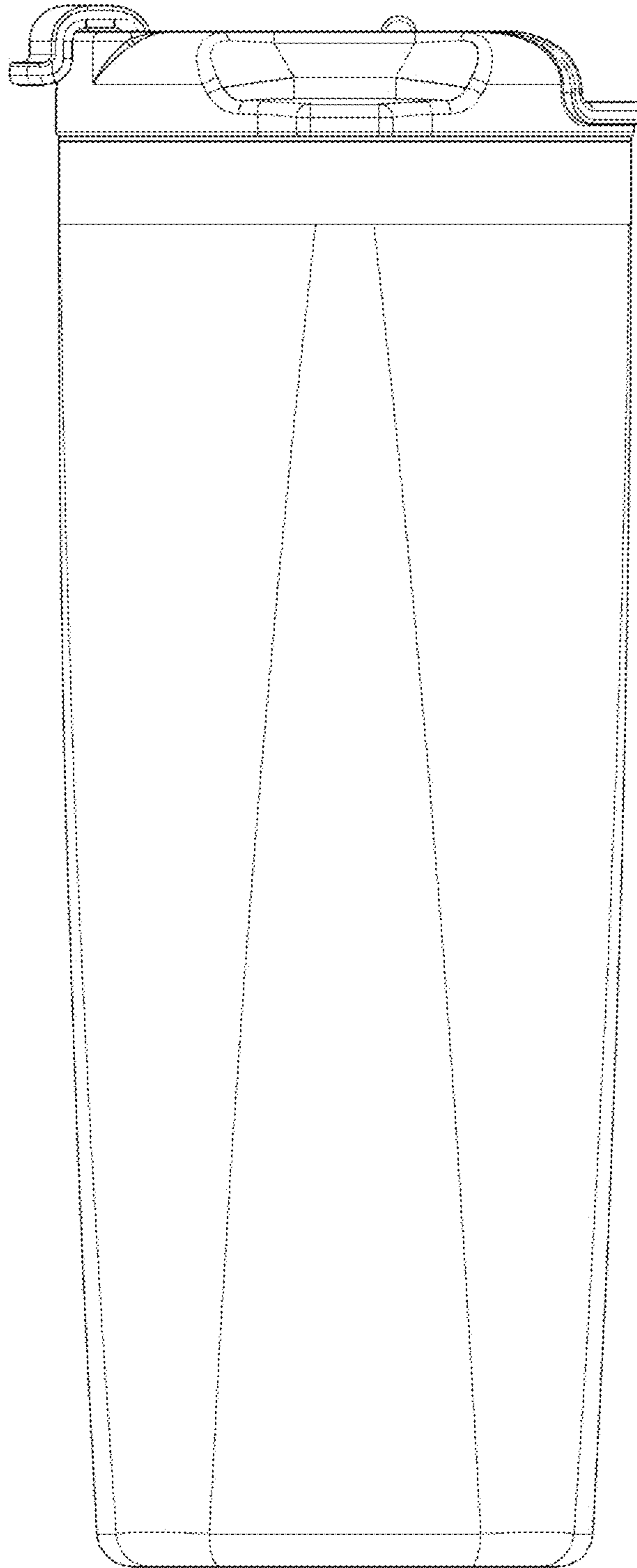


FIG. 3

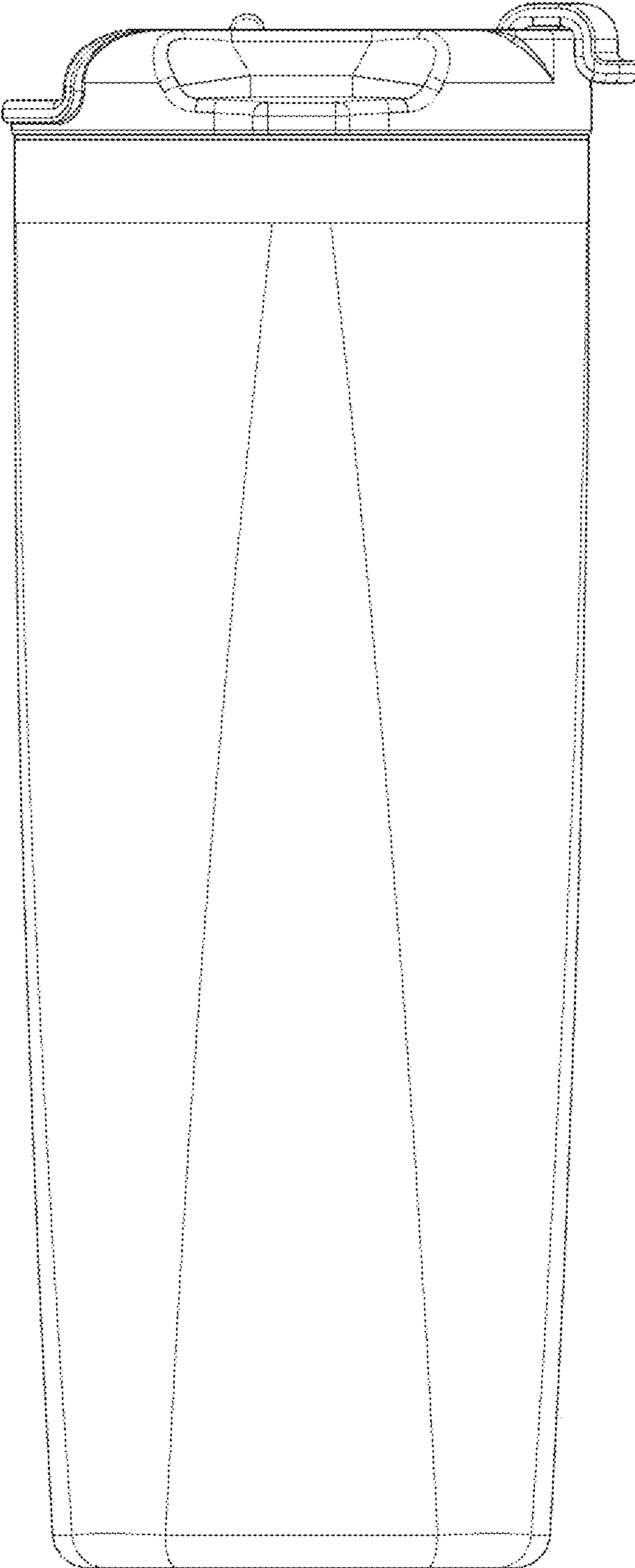


FIG. 4

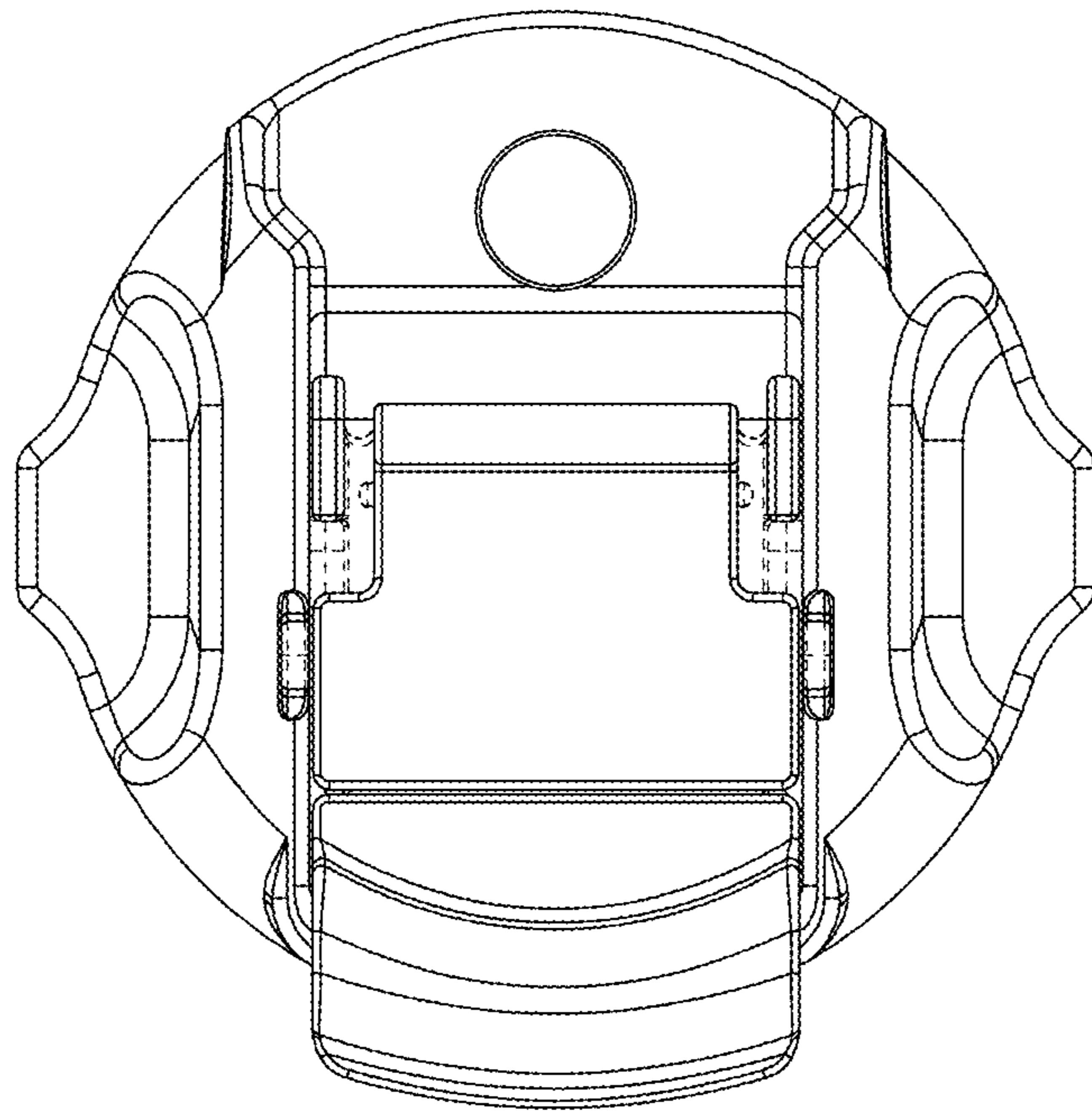


FIG. 5

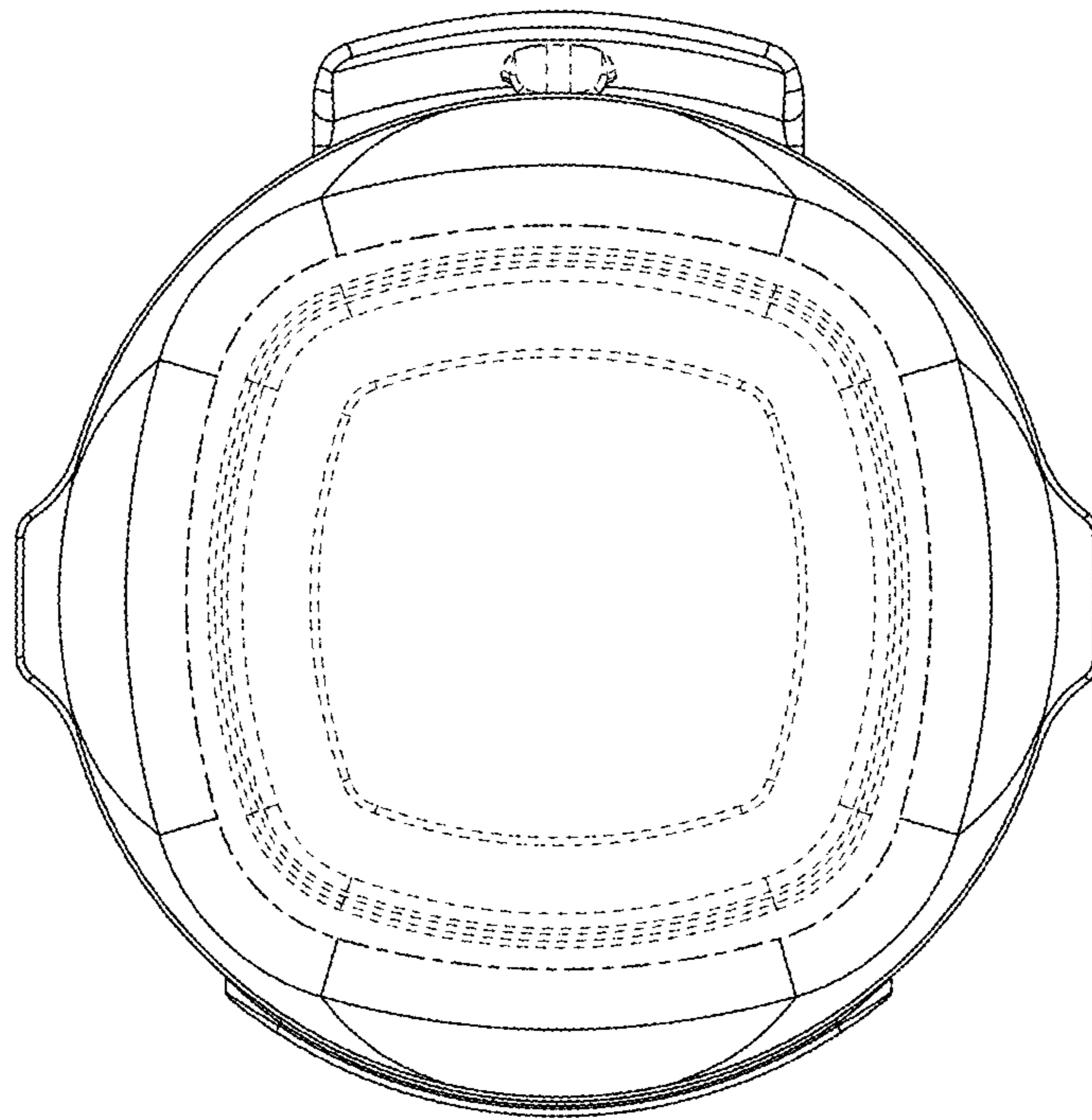


FIG. 6

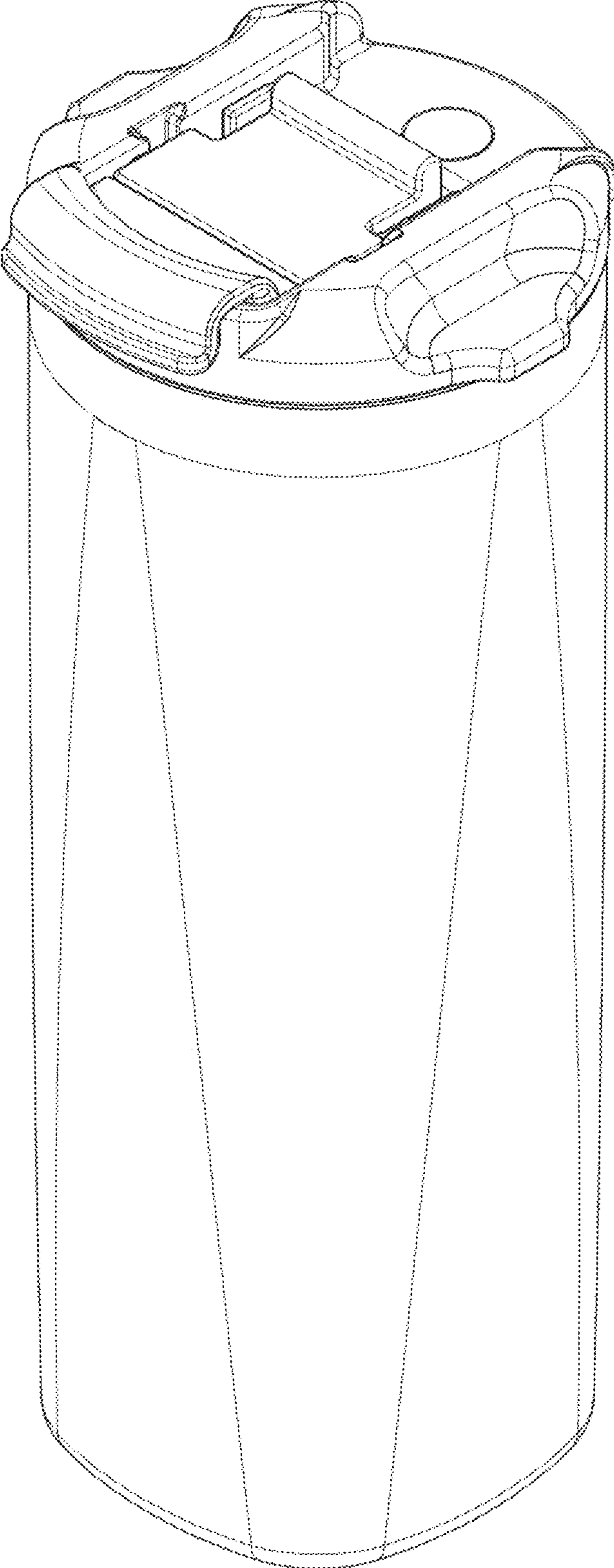


FIG. 7