



US00D988794S

(12) **United States Design Patent**  
**Cira et al.**

(10) **Patent No.:** **US D988,794 S**

(45) **Date of Patent:** **\*\* Jun. 13, 2023**

(54) **GRILL BASKET**

(71) Applicant: **Proud Grill Company Limited**, King City (CA)

(72) Inventors: **Paul Cira**, Toronto (CA); **Bartek Zalewski**, Richmond Hill (CA)

(73) Assignee: **PROUD GRILL COMPANY LIMITED**, King City (CA)

(\*\*) Term: **15 Years**

(21) Appl. No.: **29/797,414**

(22) Filed: **Jun. 30, 2021**

(51) **LOC (14) Cl.** ..... **07-02**

(52) **U.S. Cl.**  
USPC ..... **D7/409; D7/354**

(58) **Field of Classification Search**  
USPC ..... D7/323, 354–361, 409; 99/324, 427; 220/573.1, 485, 491–494; D6/462, 475; D23/398  
CPC .... A21B 2/00; A21B 3/00; A21B 3/13; A21B 3/15; A21B 5/00; A21B 5/02; A23L 3/365; A23N 12/06; A23N 12/08; A47J 37/041; A47J 37/042; A47J 37/06; A47J 37/0688; F24C 15/10; F24C 15/12; F24C 15/14; F24C 15/16; F24C 15/164; F24C 15/18

See application file for complete search history.

(56) **References Cited**

**U.S. PATENT DOCUMENTS**

D296,643 S	*	7/1988	Mueller	.....	D7/409
D304,991 S	*	12/1989	Roberge	.....	D7/409
D532,654 S	*	11/2006	Raichlen	.....	D7/409
D629,662 S	*	12/2010	Thompson	.....	D7/686
D702,084 S	*	4/2014	Matos	.....	D7/409
D825,266 S	*	8/2018	Iorio	.....	D7/354
D825,267 S	*	8/2018	Iorio	.....	D7/354
D825,268 S	*	8/2018	Iorio	.....	D7/354

D834,889 S	*	12/2018	Moon	.....	D7/354
D853,787 S	*	7/2019	Moon	.....	D7/354
D876,161 S	*	2/2020	Covert	.....	D7/354
D876,162 S	*	2/2020	Covert	.....	D7/354
D891,864 S	*	8/2020	Covert	.....	D7/354
D968,891 S	*	11/2022	Zemel	.....	D7/409

(Continued)

**FOREIGN PATENT DOCUMENTS**

CN	305572937	*	1/2020
CN	305615994	*	2/2020
CN	305874957	*	6/2020

(Continued)

**OTHER PUBLICATIONS**

Yukon Glory BBQ'n Serve Grill Basket Set, Oct. 28, 2020, <https://www.amazon.com/Yukon-Glory-Baskets-Serving-Grilling/dp/B08M445W6G> (Year: 2020).\*

(Continued)

*Primary Examiner* — Brett Miller

*Assistant Examiner* — Nader Abadir

(74) *Attorney, Agent, or Firm* — Sand, Sebolt & Wernow Co., LPA

(57) **CLAIM**

The ornamental design for a grill basket, as shown and described.

**DESCRIPTION**

FIG. 1 is a front, top, left side view of a grill basket in accordance with my design;

FIG. 2 is a front, bottom, right side view thereof;

FIG. 3 is a left side view thereof;

FIG. 4 is a right side view thereof;

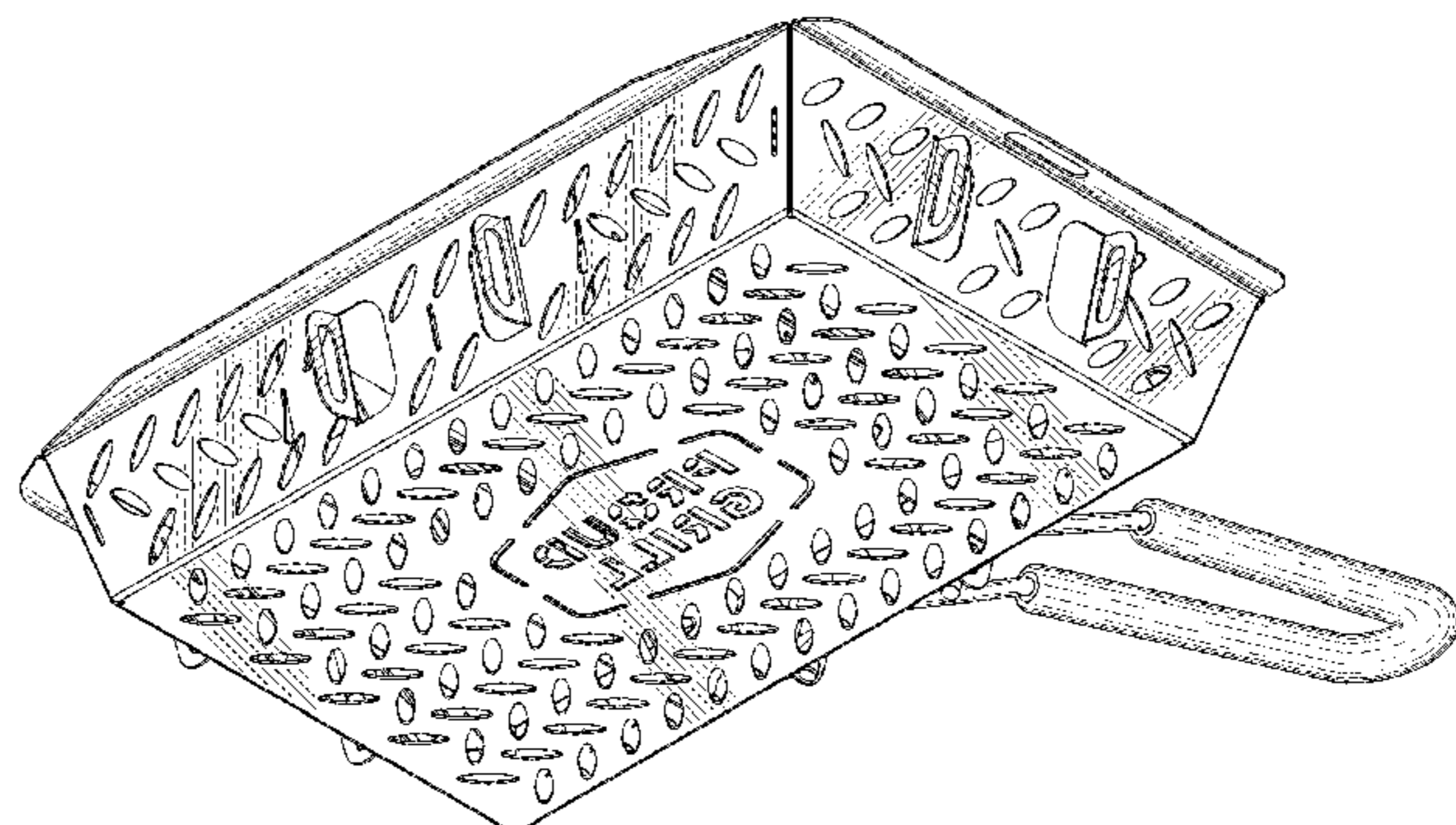
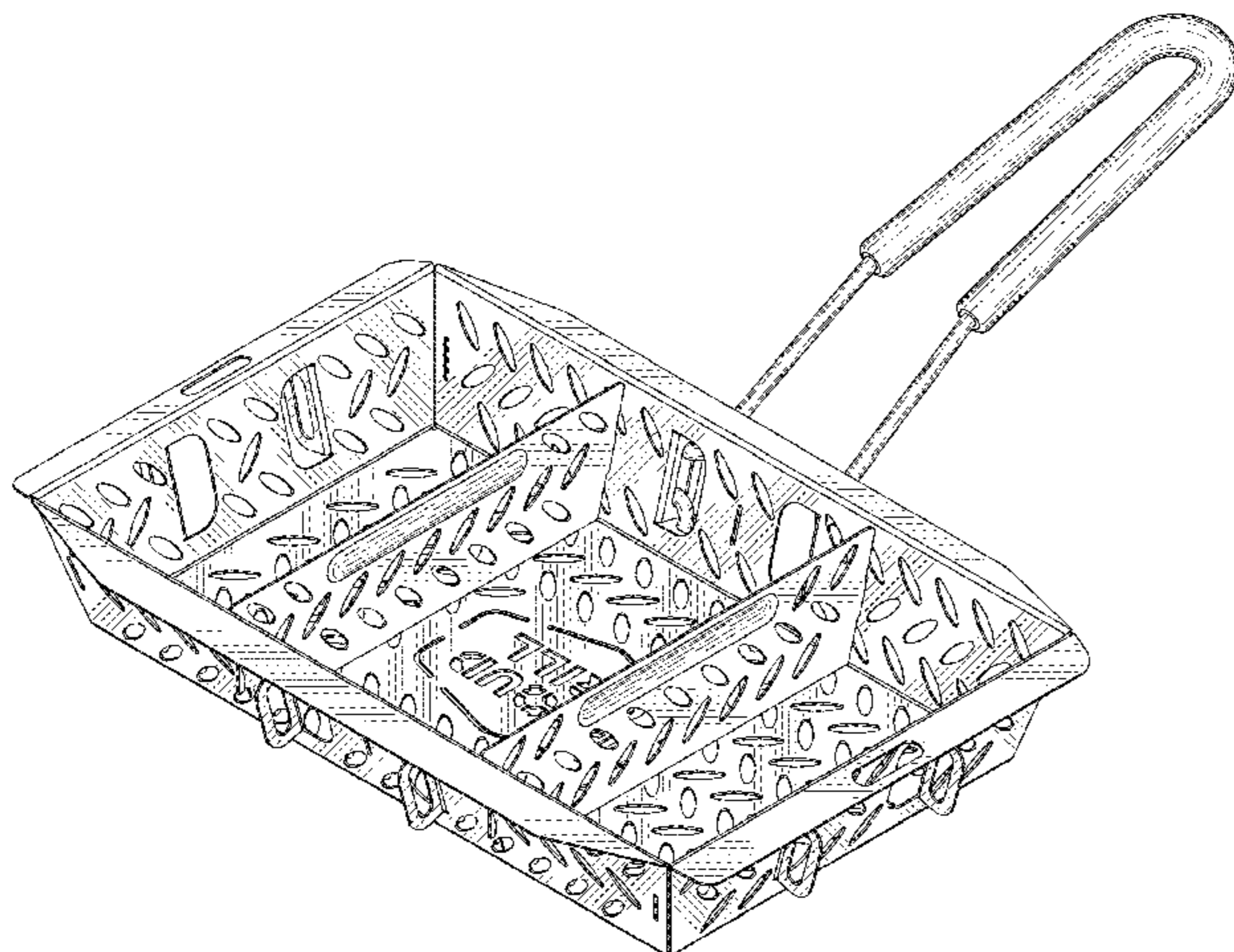
FIG. 5 is a front elevation view thereof;

FIG. 6 is a rear elevation view thereof;

FIG. 7 is a top plan view thereof; and,

FIG. 8 is a bottom plan view thereof.

**1 Claim, 8 Drawing Sheets**



(56)

**References Cited**

U.S. PATENT DOCUMENTS

2022/0408971 A1\* 12/2022 Leng ..... A47J 37/0786

FOREIGN PATENT DOCUMENTS

CN 306044769 \* 9/2020  
CN 306153919 \* 11/2020

OTHER PUBLICATIONS

Yardwe Barbecue Nonstick Pan Grill Skillet Grill Topper Tray, Sep. 29, 2020, <https://www.amazon.co.uk/Yardwe-Barbecue-Nonstick-Skillet-Foldable/dp/B08KDP4NTH> (Year: 2020).\*

IPEAK BBQ Grill Basket Barbecue, Mar. 18, 2021, <https://www.amazon.co.uk/iPEAK-Barbecue-Accessory-Barbequing-Vegetables/dp/B08ZDPKXGV> (Year: 2021).\*

Com-Four BBQ Grill pan, Apr. 8, 2021, <https://www.amazon.co.uk/COM-FOUR%C2%AE-Stainless-Practical-Handles-Vegetables/dp/B0922844M8> (Year: 2021).\*

Shizzo Grill Basket Value Set, Aug. 1, 2020, <https://www.amazon.com/Accessories-Stainless-Grilling-Portable-Vegetables/dp/B0887M8J8W> (Year: 2020).\*

Grillers Choice Grill Basket, Jan. 13, 2021, <https://www.amazon.com/Grillers-Choice-Grill-Basket-Accessories/dp/B08SW6B2NW> (Year: 2021).\*

\* cited by examiner



FIG. 1

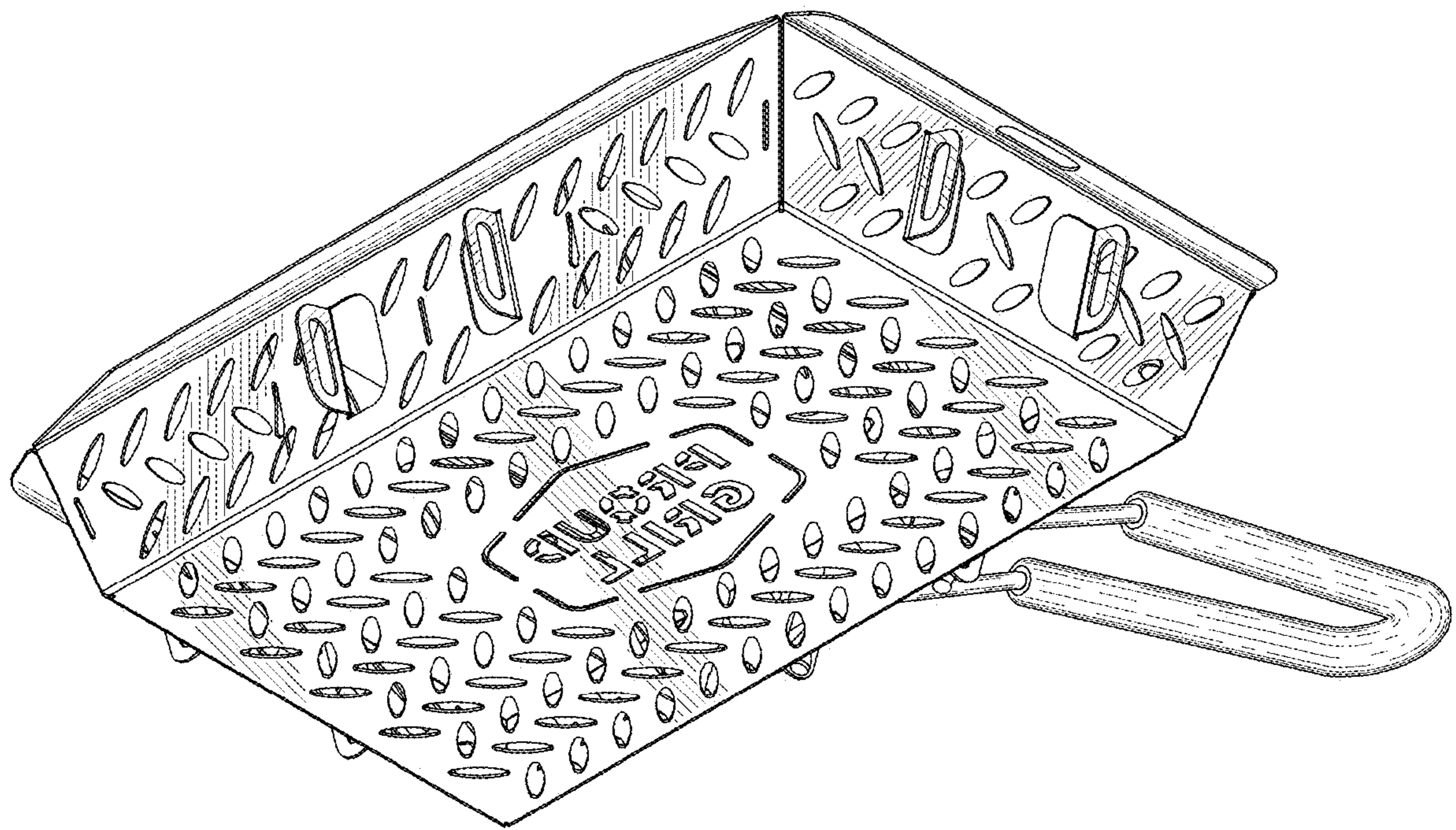


FIG. 2

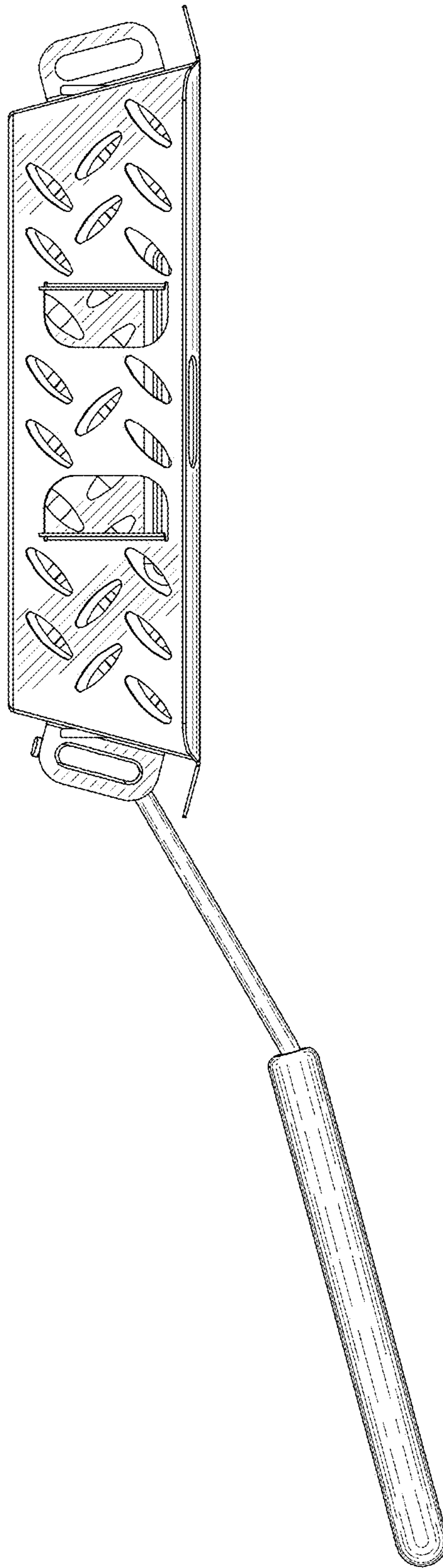


FIG. 3

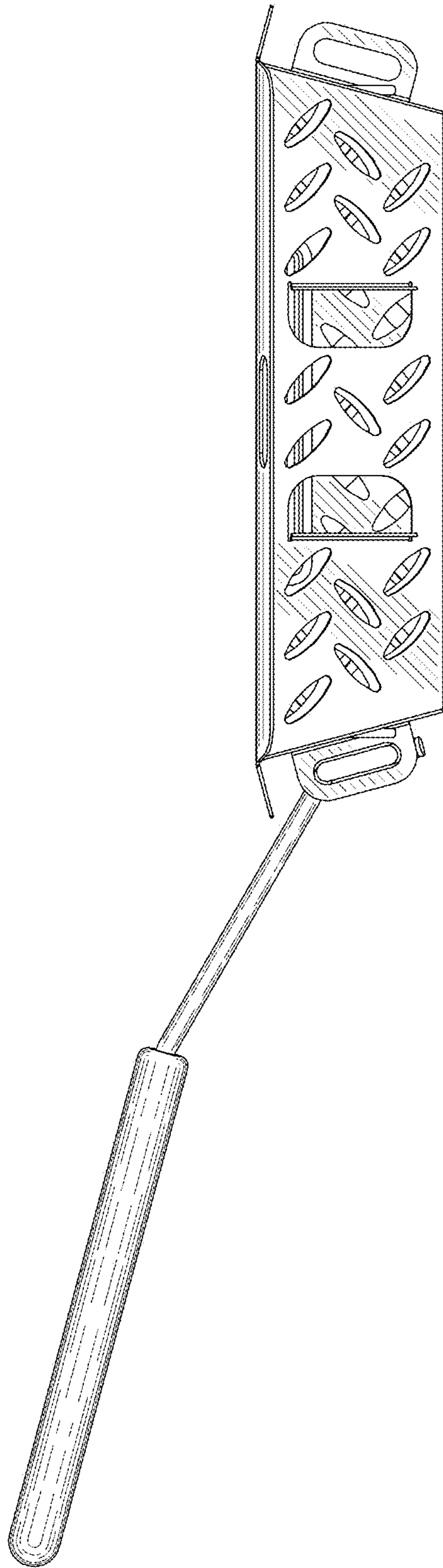


FIG. 4

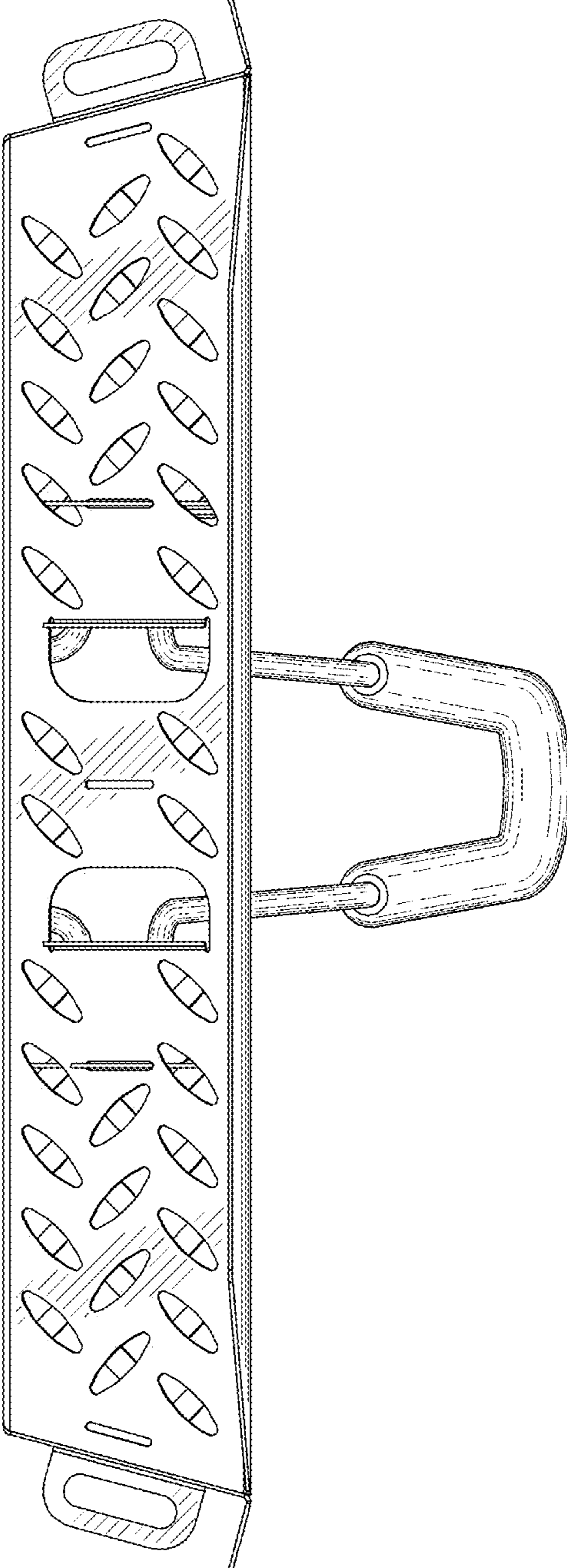


FIG. 5

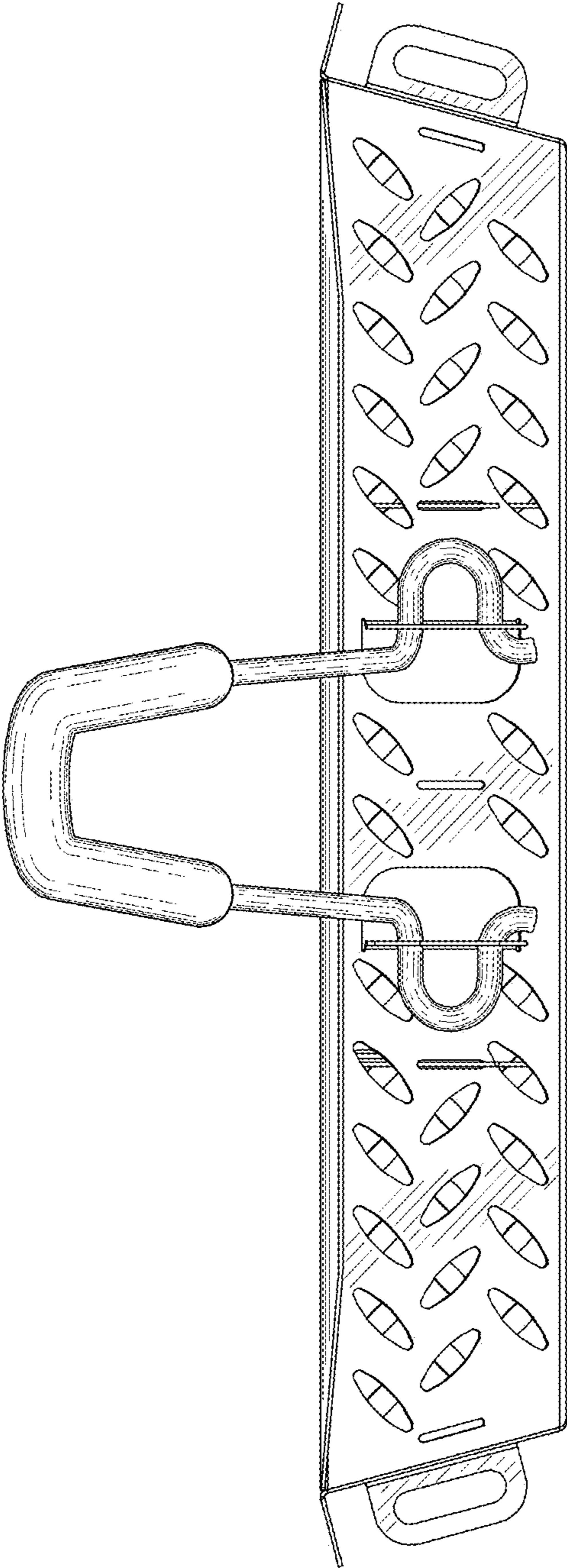


FIG. 6



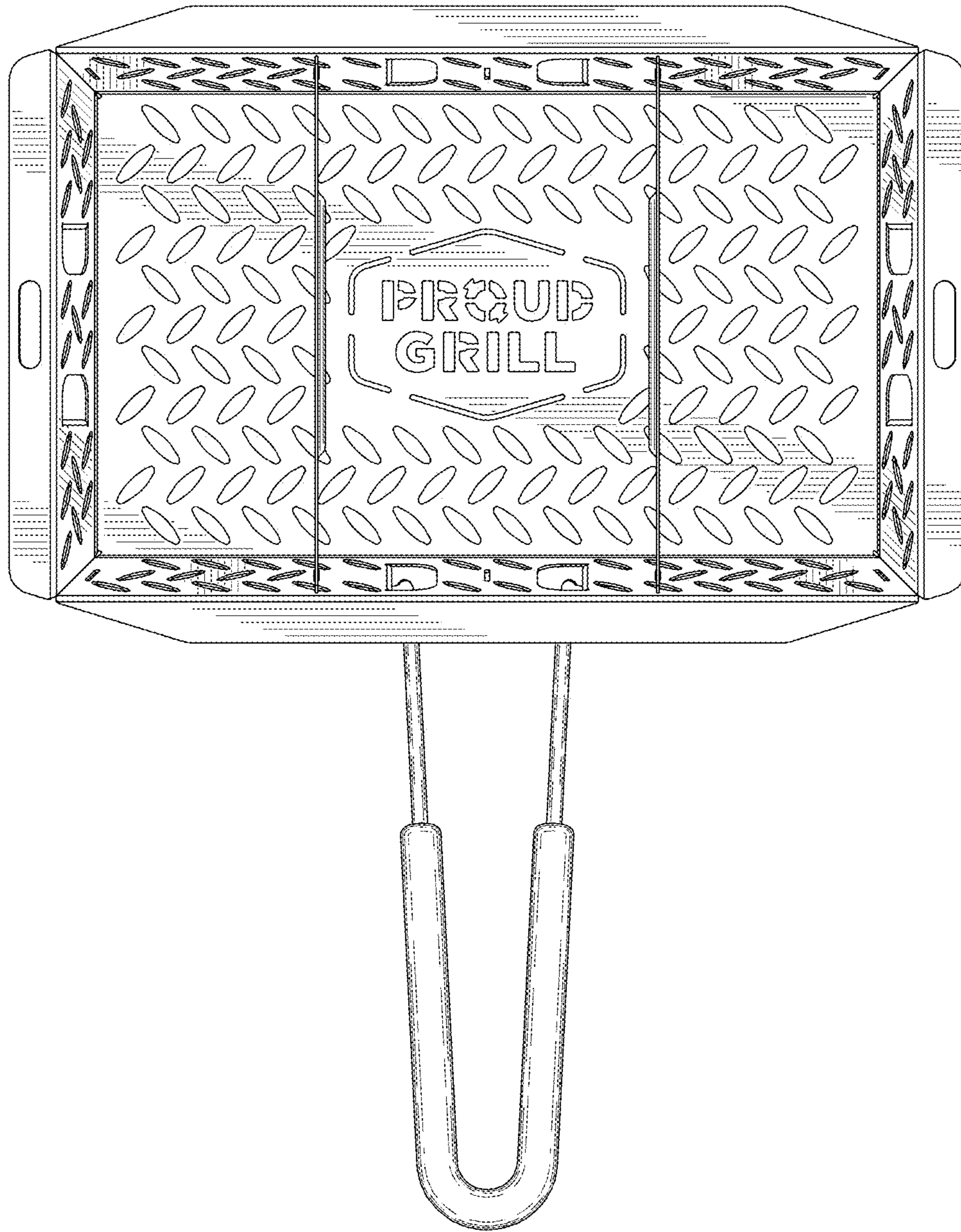


FIG. 7

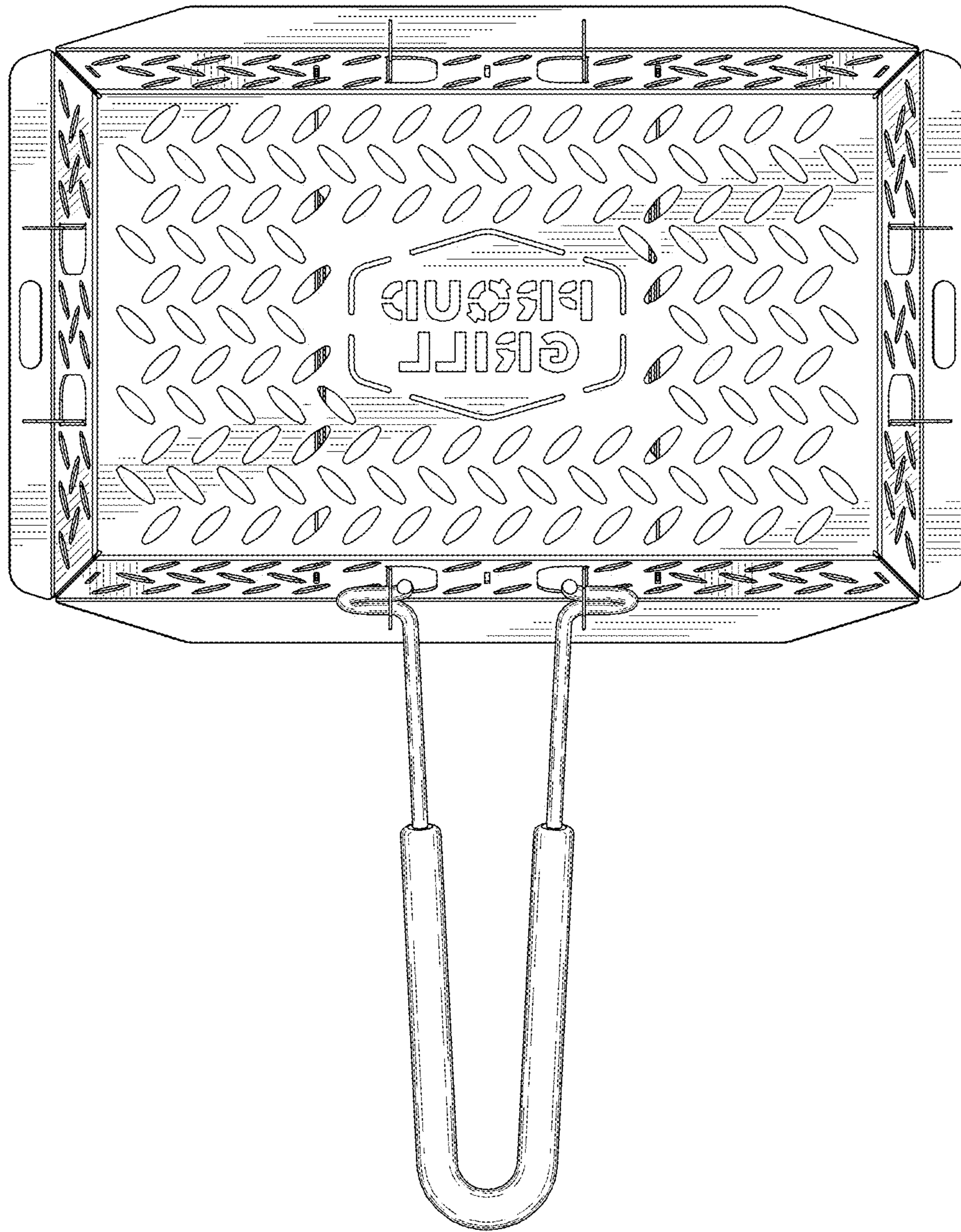


FIG. 8