



US00D988791S

(12) **United States Design Patent**  
**Kamelhar et al.**

(10) **Patent No.:** **US D988,791 S**  
(45) **Date of Patent:** **\*\* Jun. 13, 2023**

(54) **APPLIANCE INTERFACE**

(71) Applicant: **RJ Brands LLC**, Mahwah, NJ (US)

(72) Inventors: **Rachel Kamelhar**, Brooklyn, NY (US);  
**Mehrafza Mirzazad**, Brooklyn, NY  
(US); **Jefferzon A. Libatique**, Jersey  
City, NJ (US)

(73) Assignee: **RJ Brands LLC**, Mahwah, NJ (US)

(\*\*) Term: **15 Years**

(21) Appl. No.: **29/757,674**

(22) Filed: **Nov. 9, 2020**

(51) **LOC (14) Cl.** ..... **07-06**

(52) **U.S. Cl.**  
USPC ..... **D7/399**

(58) **Field of Classification Search**  
USPC ..... D7/300, 312, 316, 318, 397, 393, 396,  
D7/396.1, 396.2, 399; D9/435, 436  
CPC ..... A47G 19/14; A47J 27/21; A47J 27/21008;  
A47J 31/40; B65D 43/02; B65D 5/46  
See application file for complete search history.

(56) **References Cited**

**U.S. PATENT DOCUMENTS**

|                |        |             |       |                      |
|----------------|--------|-------------|-------|----------------------|
| D404,966 S *   | 2/1999 | Bell        | ..... | D7/393               |
| D494,319 S *   | 8/2004 | Ruben       | ..... | D28/35               |
| D562,053 S *   | 2/2008 | Cohen       | ..... | D7/322               |
| D600,064 S *   | 9/2009 | Beckman     | ..... | D7/319               |
| D608,144 S *   | 1/2010 | Wylie       | ..... | D7/402               |
| 9,016,518 B2 * | 4/2015 | Poul        | ..... | A47G 19/14<br>222/31 |
| D784,063 S *   | 4/2017 | Bond        | ..... | D7/317               |
| D796,247 S *   | 9/2017 | Bazzicalupo | ..... | D7/322               |

|                   |         |         |       |                        |
|-------------------|---------|---------|-------|------------------------|
| D953,106 S *      | 5/2022  | Seo     | ..... | D7/393                 |
| D957,177 S *      | 7/2022  | Sillett | ..... | D7/321                 |
| 2011/0259871 A1 * | 10/2011 | Li      | ..... | H05B 1/0269<br>219/441 |

**OTHER PUBLICATIONS**

Tumidy Electric Kettle| posted at Amazon.com, posted on Jul. 9, 2020, © 1996-2022 Amazon.com, [online], [site visited Jan. 27, 2023]. Available from Internet, <URL: <https://www.amazon.com/dp/B08CNBNPDC/>> (Year: 2019).\*

Hot Water Kettle | posted at Amazon.com, posted on Aug. 7, 2018, © 1996-2022 Amazon.com, [online], [site visited Jan. 27, 2023]. Available from Internet, <URL: <https://www.amazon.com/Digital-Hot-Water-Glass-Kettle/>> (Year: 2018).\*

\* cited by examiner

*Primary Examiner* — Andrew Kerr

(74) *Attorney, Agent, or Firm* — Bochner IP, PLLC;  
Andrew D. Bochner

(57) **CLAIM**

The ornamental design for an appliance interface, as shown and described.

**DESCRIPTION**

FIG. 1 is a top, front, left-side perspective view of an appliance interface, showing our new design;

FIG. 2 is a front elevation view thereof;

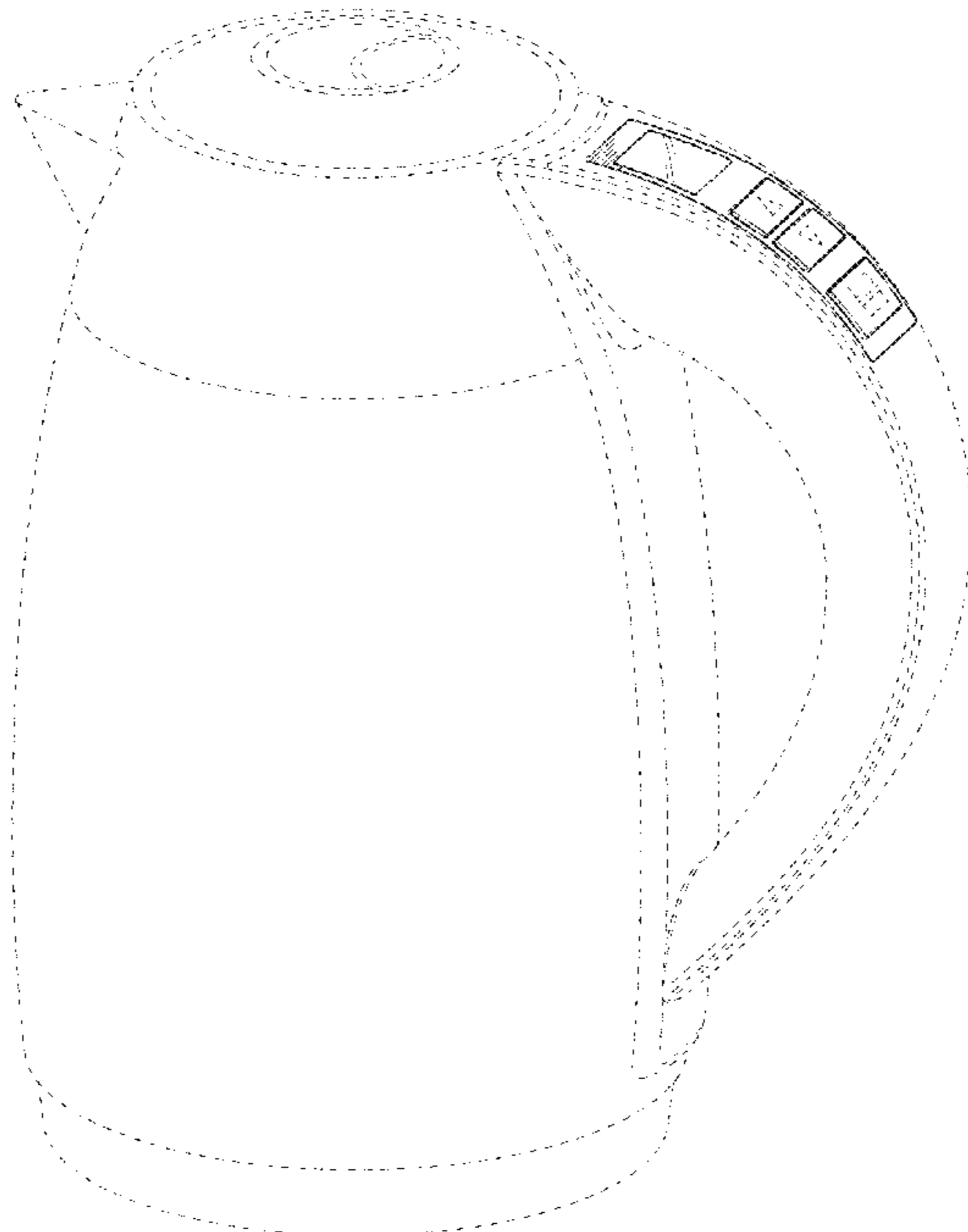
FIG. 3 is a left side elevation view thereof, the right side elevation view being a mirror image;

FIG. 4 is a top plan view thereof; and,

FIG. 5 is a bottom plan view thereof.

In the drawings, the broken lines are for the purpose of illustrating environment only, and form no part of the claimed design.

**1 Claim, 5 Drawing Sheets**



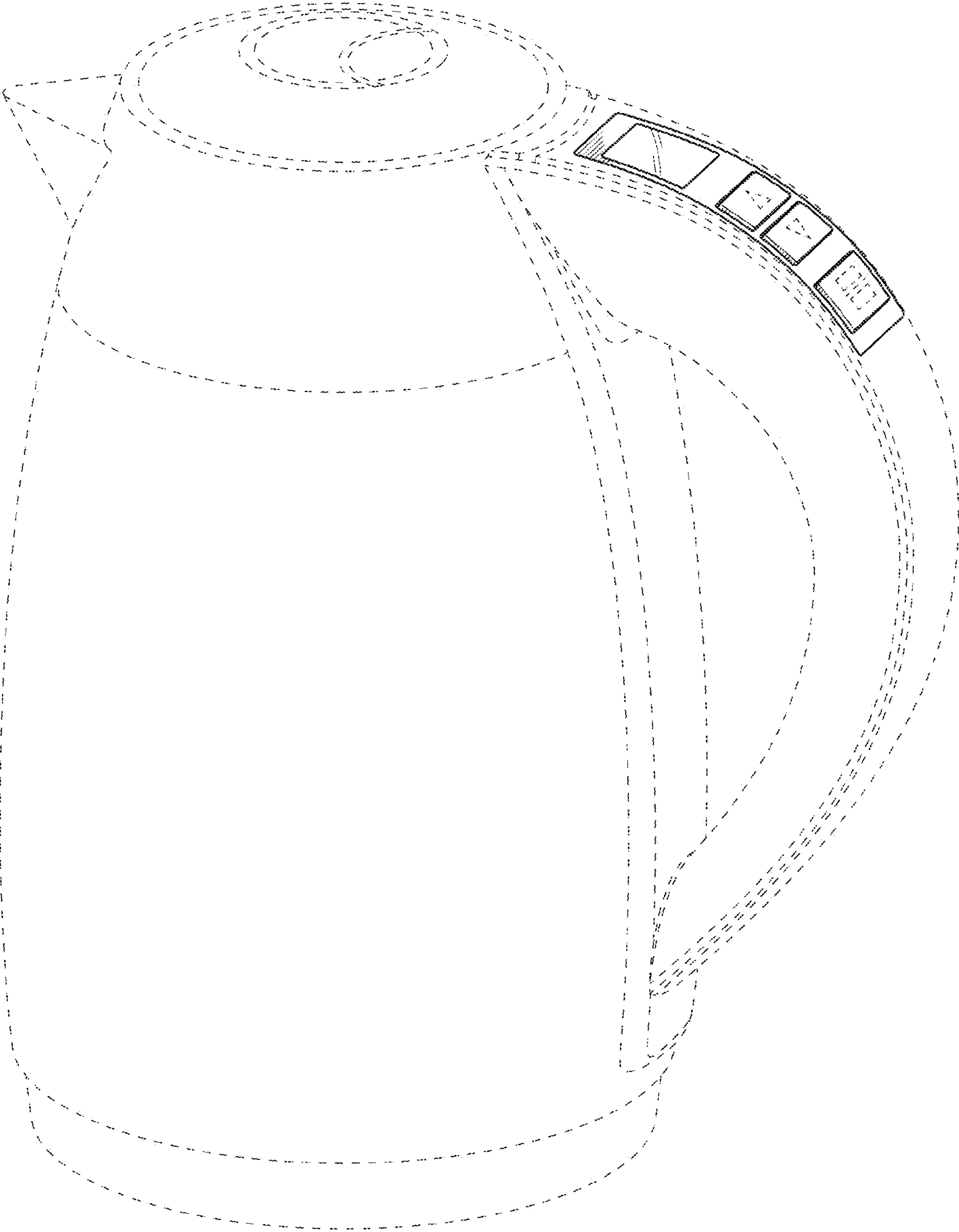


FIG. 1

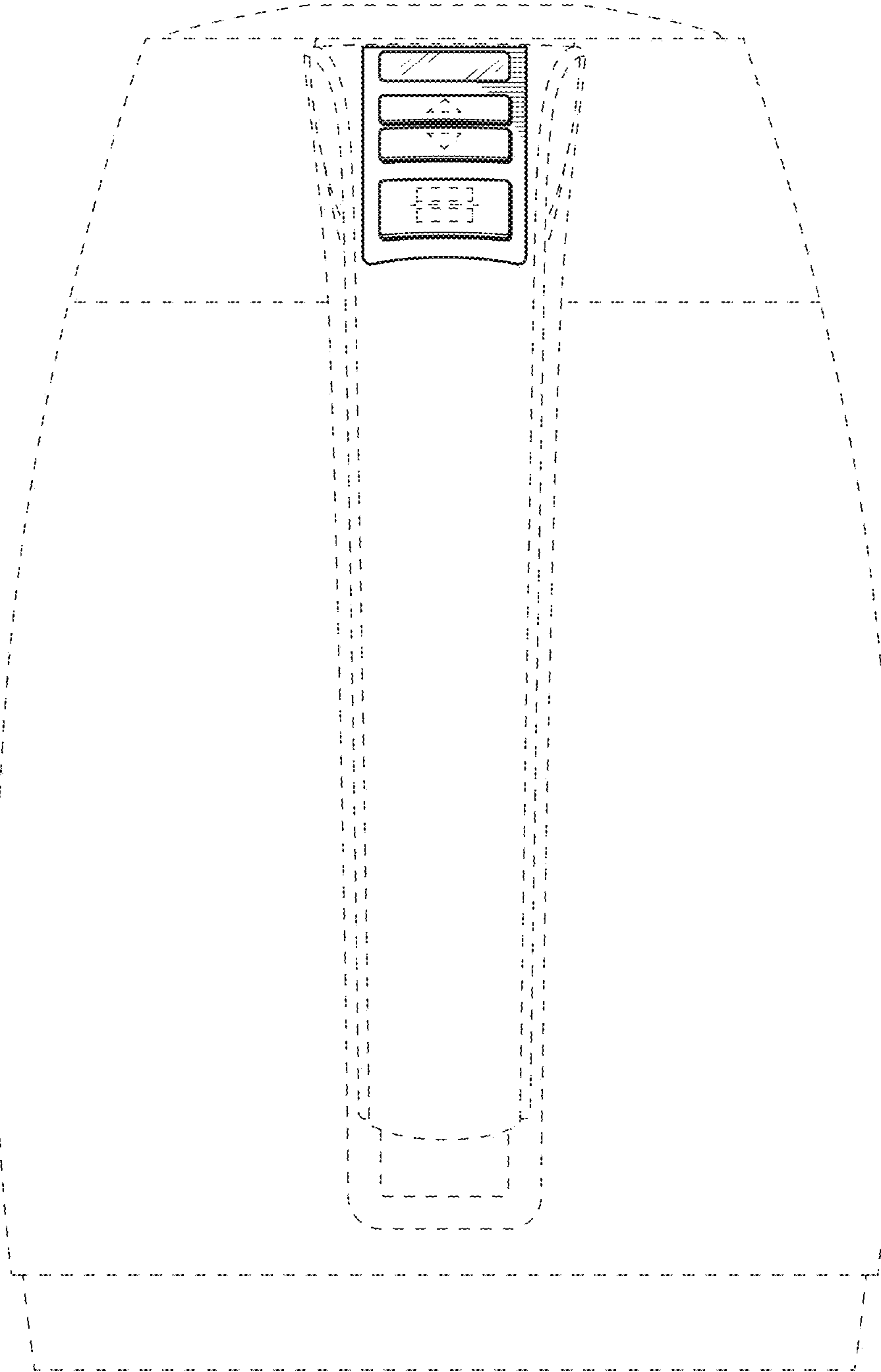


FIG. 2

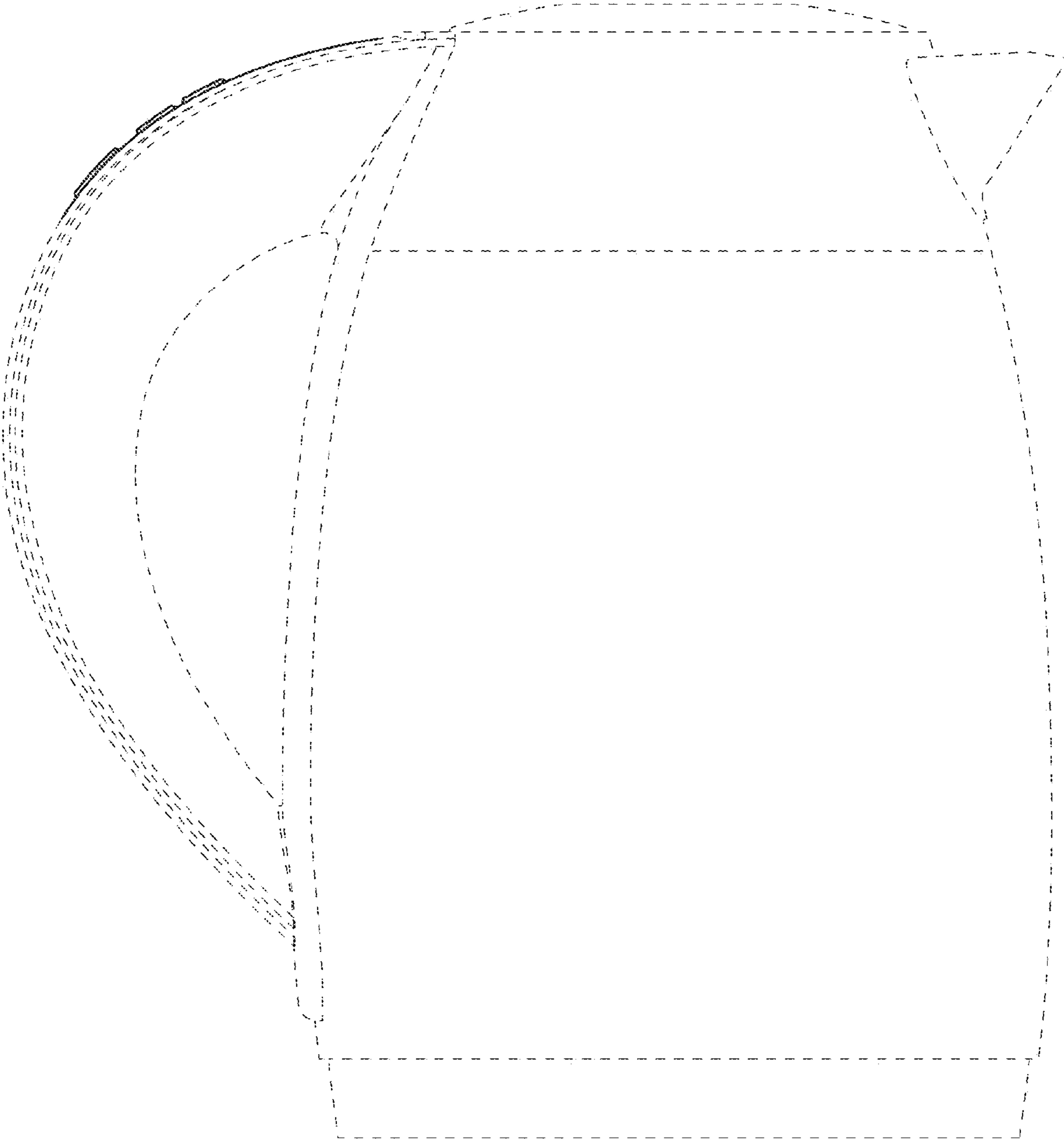
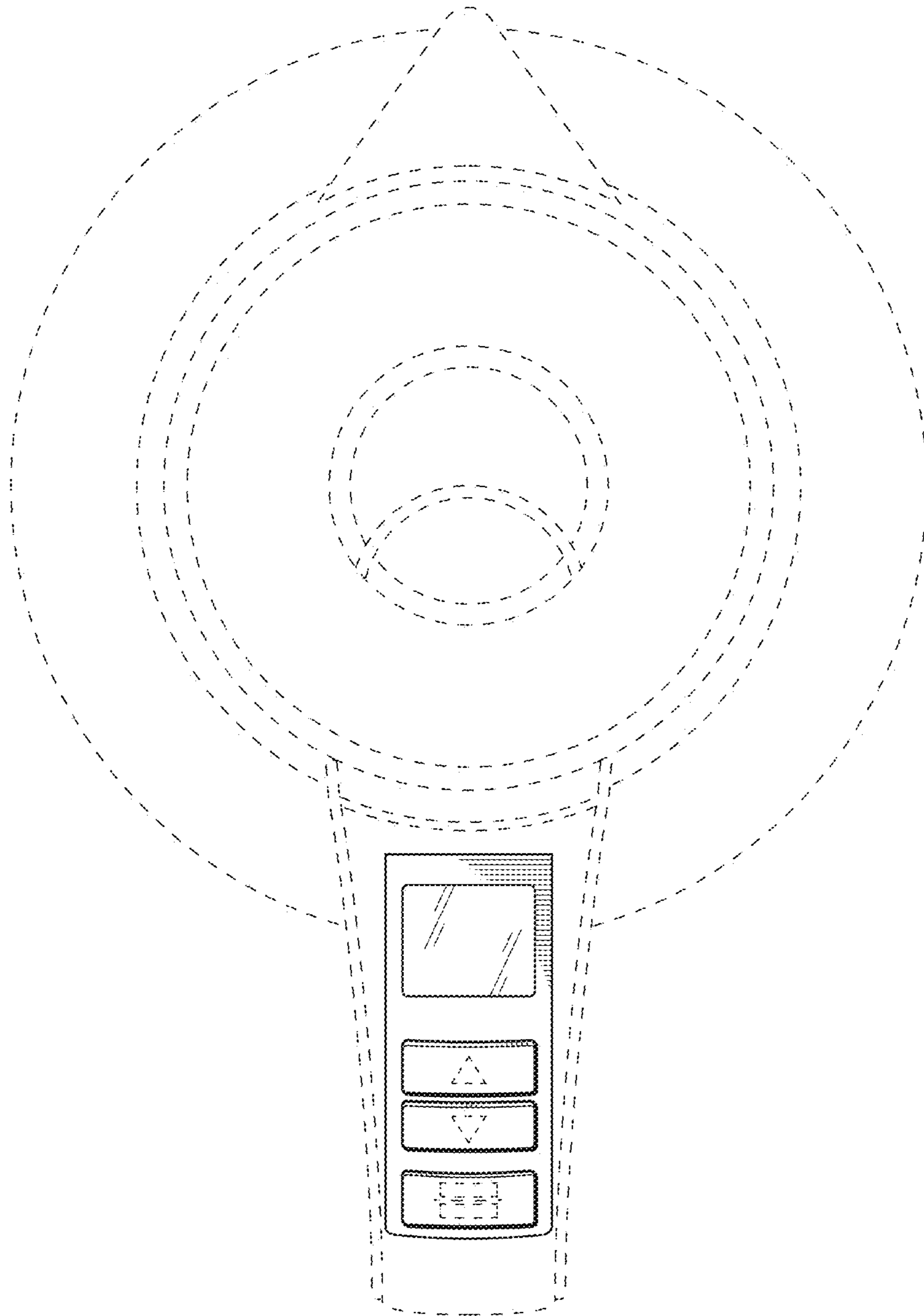


FIG. 3



**FIG. 4**

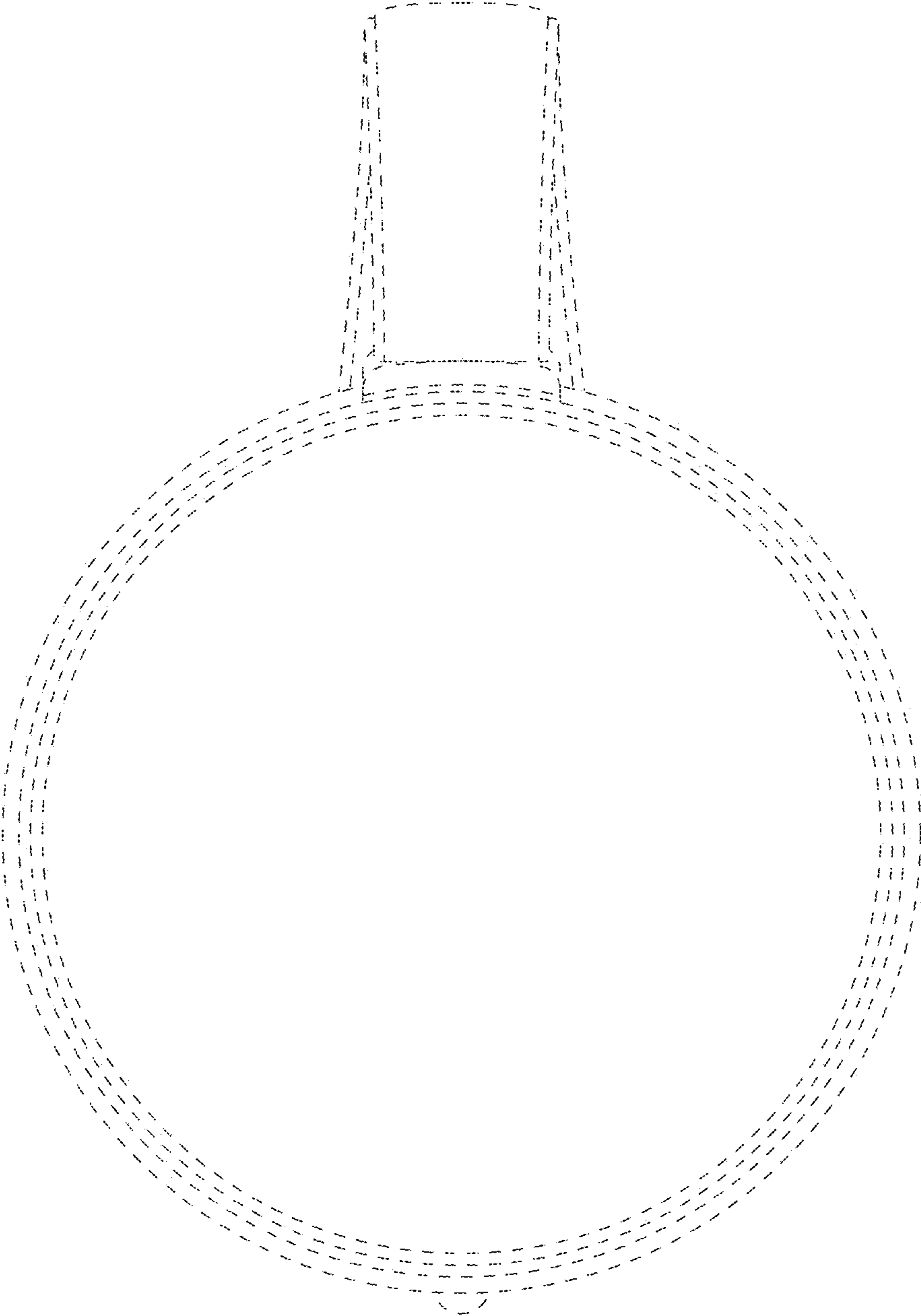


FIG. 5