



US00D988790S

(12) **United States Design Patent** (10) **Patent No.:** **US D988,790 S**
Wang (45) **Date of Patent:** **** Jun. 13, 2023**

(54) **BOTTLE LID**
(71) Applicant: **TAIZHOU TAIBO PLASTIC CO., LTD.**, Zhejiang (CN)
(72) Inventor: **Jinqiao Wang**, Zhejiang (CN)
(73) Assignee: **TAIZHOU TAIBO PLASTIC CO., LTD.**, Zhejiang (CN)
(**) Term: **15 Years**
(21) Appl. No.: **29/814,885**
(22) Filed: **Nov. 9, 2021**
(51) **LOC (14) Cl.** **07-99**
(52) **U.S. Cl.**
USPC **D7/396.2**
(58) **Field of Classification Search**
USPC D7/321, 391, 392, 396.2, 392.1, 507, D7/509, 510, 511, 523, 605, 608; D9/434, 435, 439, 440, 443, 444, 445, D9/447, 449, 453, 454, 503, 504, 505, D9/686
CPC A47G 19/2272; B65D 47/06; B65D 83/40; B65D 83/205; B65D 83/206; B65D 2251/00; B65D 2539/00; B65D 2539/001; B65D 2543/00; B65D 2543/0009; B65D 2543/00018; B65D 2543/00046; B65D 2543/00055
See application file for complete search history.

D867,811 S * 11/2019 Lane D7/392.1
D869,230 S * 12/2019 Hao D9/449
D894,669 S * 9/2020 Lane D7/392.1
D922,138 S * 6/2021 Chen D7/392.1
D923,397 S 6/2021 Lin et al.
D929,802 S 9/2021 Han
D941,086 S * 1/2022 Zhou D7/392.1
D942,212 S * 2/2022 Zhou D7/392.1
D945,210 S * 3/2022 Ni D7/392.1
D957,185 S * 7/2022 Chen D9/449
D957,186 S * 7/2022 Wang D7/392.1
D957,878 S * 7/2022 Zhang D7/392.1
D958,591 S * 7/2022 Hu D7/392.1
D958,592 S * 7/2022 Zhou D7/392.1

* cited by examiner

Primary Examiner — Andrew Kerr
Assistant Examiner — Chariton Alexakis
(74) *Attorney, Agent, or Firm* — ScienBiziP, P.C.

(57) **CLAIM**

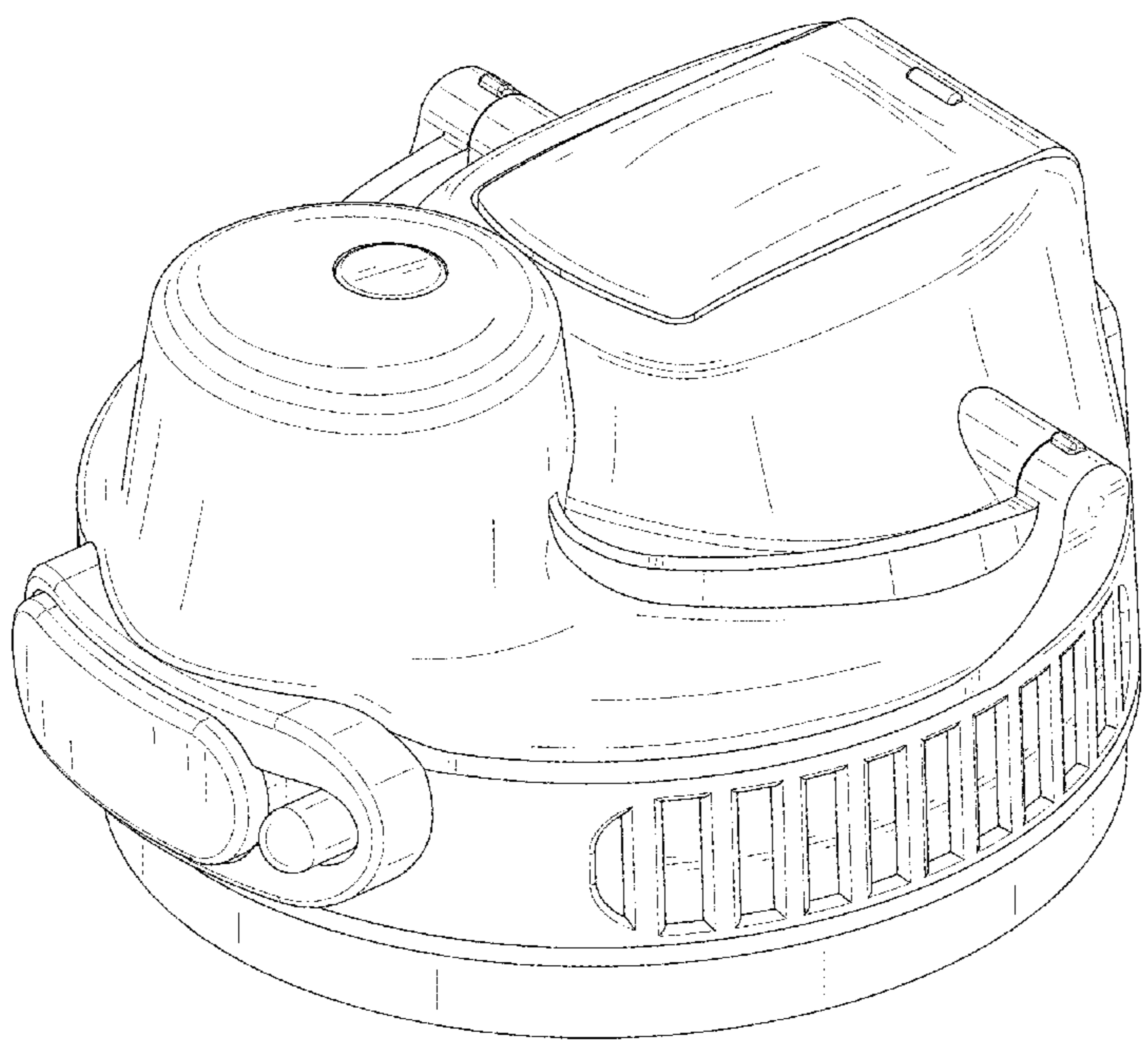
The ornamental design for a bottle lid, as shown and described.

DESCRIPTION

FIG. 1 is a front, right and top perspective view of a bottle lid, showing my design.
FIG. 2 is a rear, left and bottom perspective view thereof.
FIG. 3 is a front elevation view thereof.
FIG. 4 is a rear elevation view thereof.
FIG. 5 is a left side elevation view thereof.
FIG. 6 is a right side elevation view thereof.
FIG. 7 is a top plan view thereof; and,
FIG. 8 is a bottom plan view thereof.
The broken lines shown in the drawings are included for the purpose of illustrating portions of the bottle lid that form no part of the claimed design.

(56) **References Cited**
U.S. PATENT DOCUMENTS
D628,483 S * 12/2010 McKinney D9/449
D747,918 S * 1/2016 Herbst D7/392.1
D820,635 S * 6/2018 Hammer D7/392.1
D862,977 S * 10/2019 Bohman D7/392.1

1 Claim, 8 Drawing Sheets



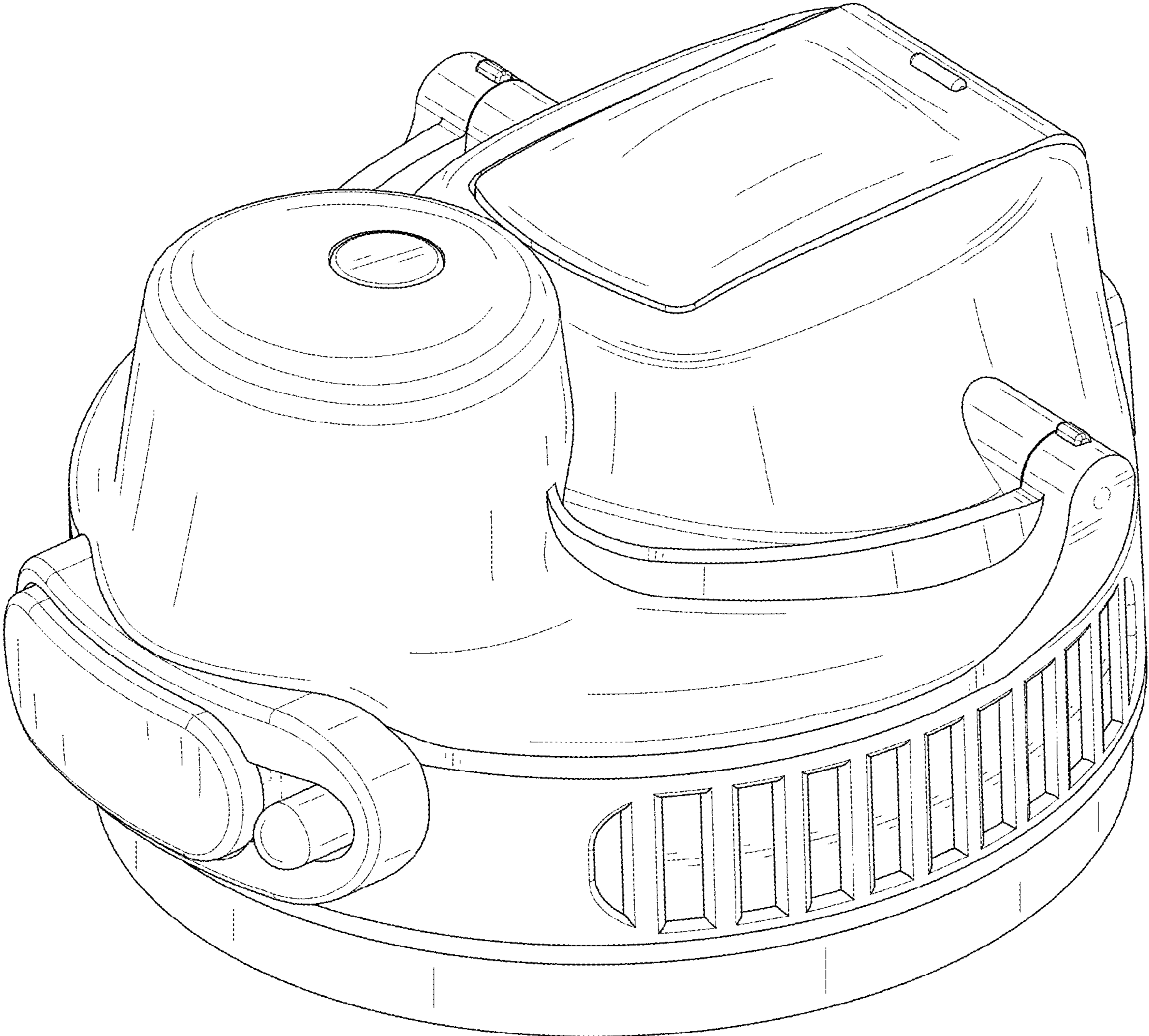


FIG. 1

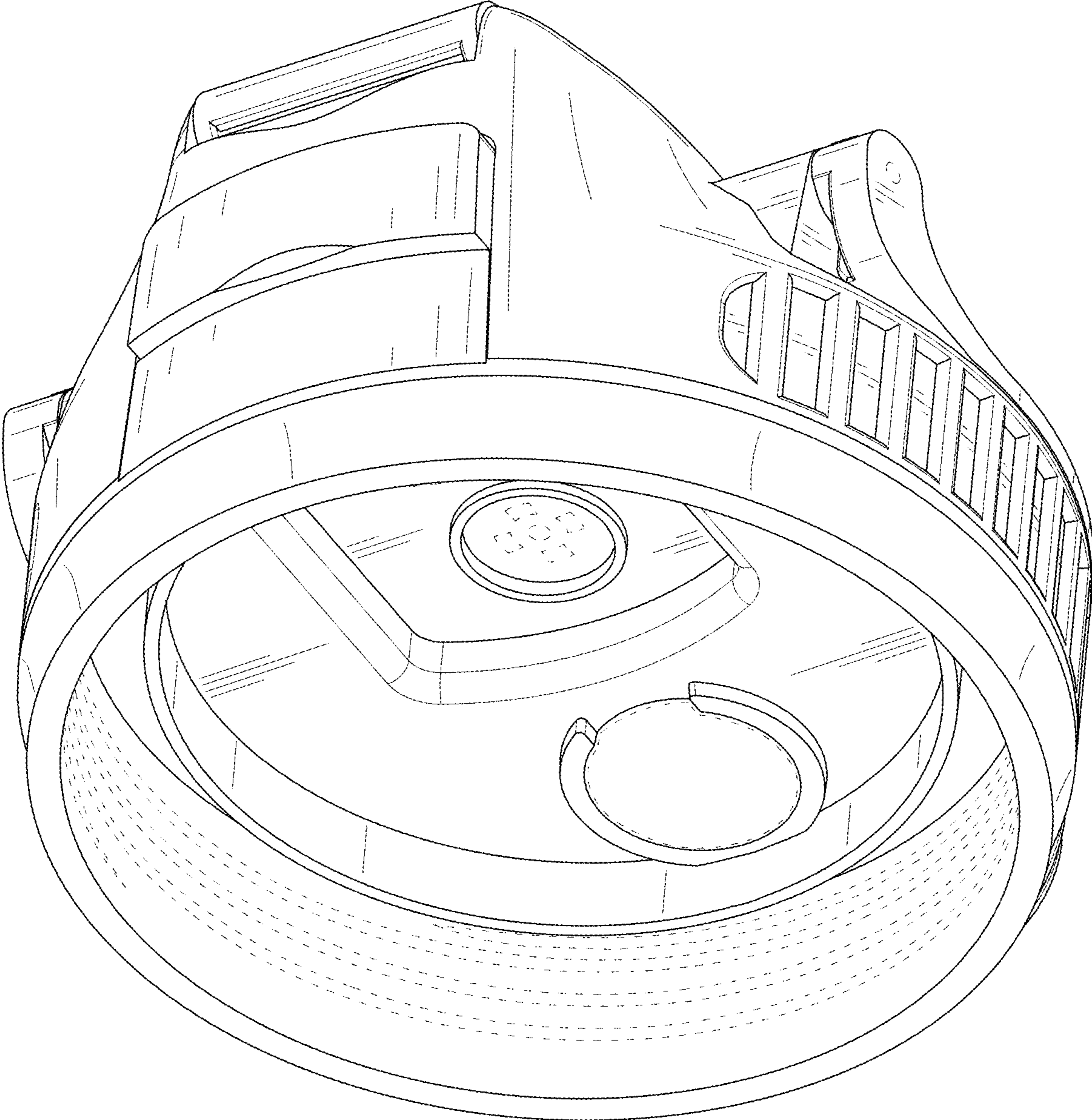


FIG.2

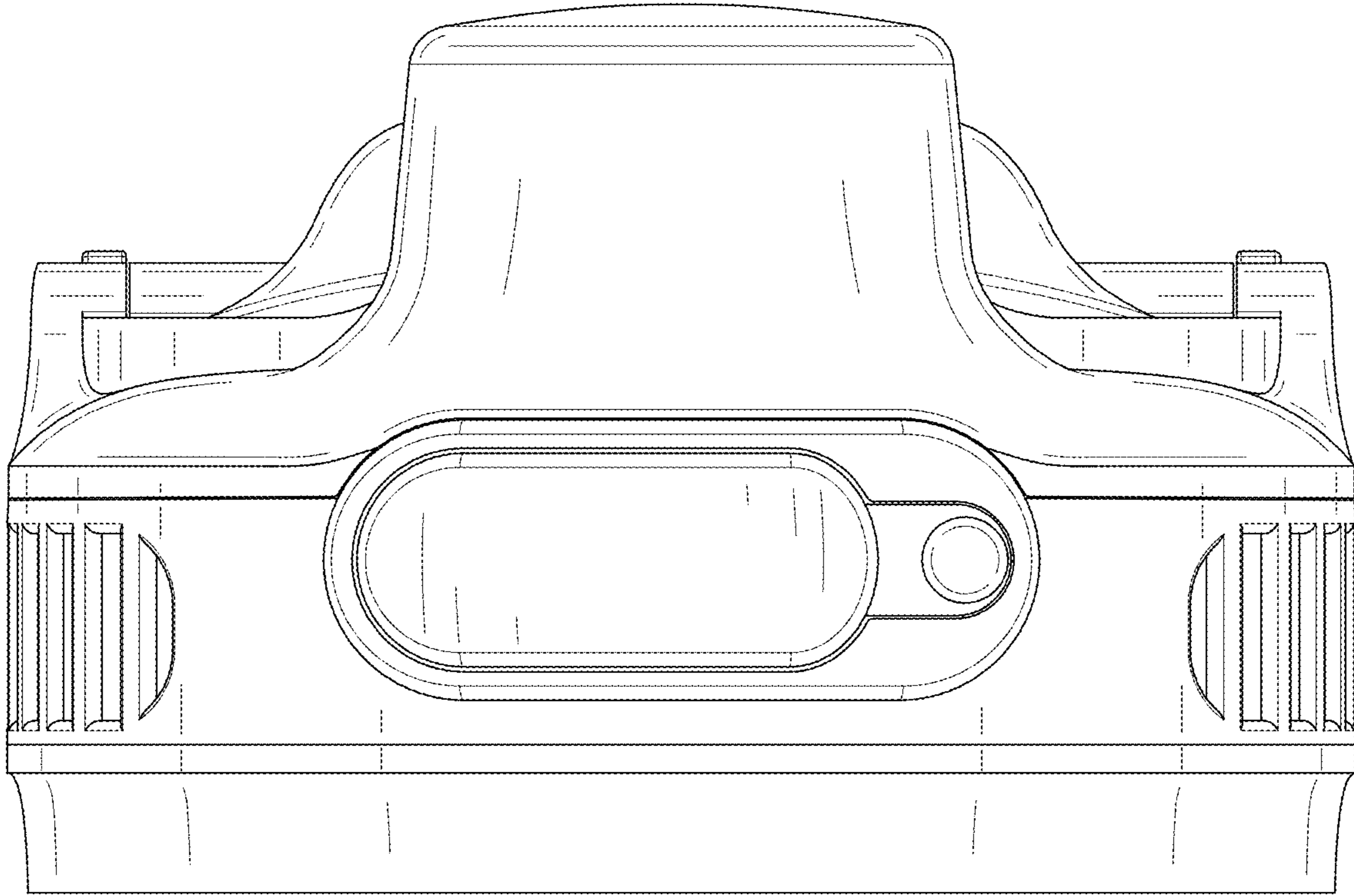


FIG. 3

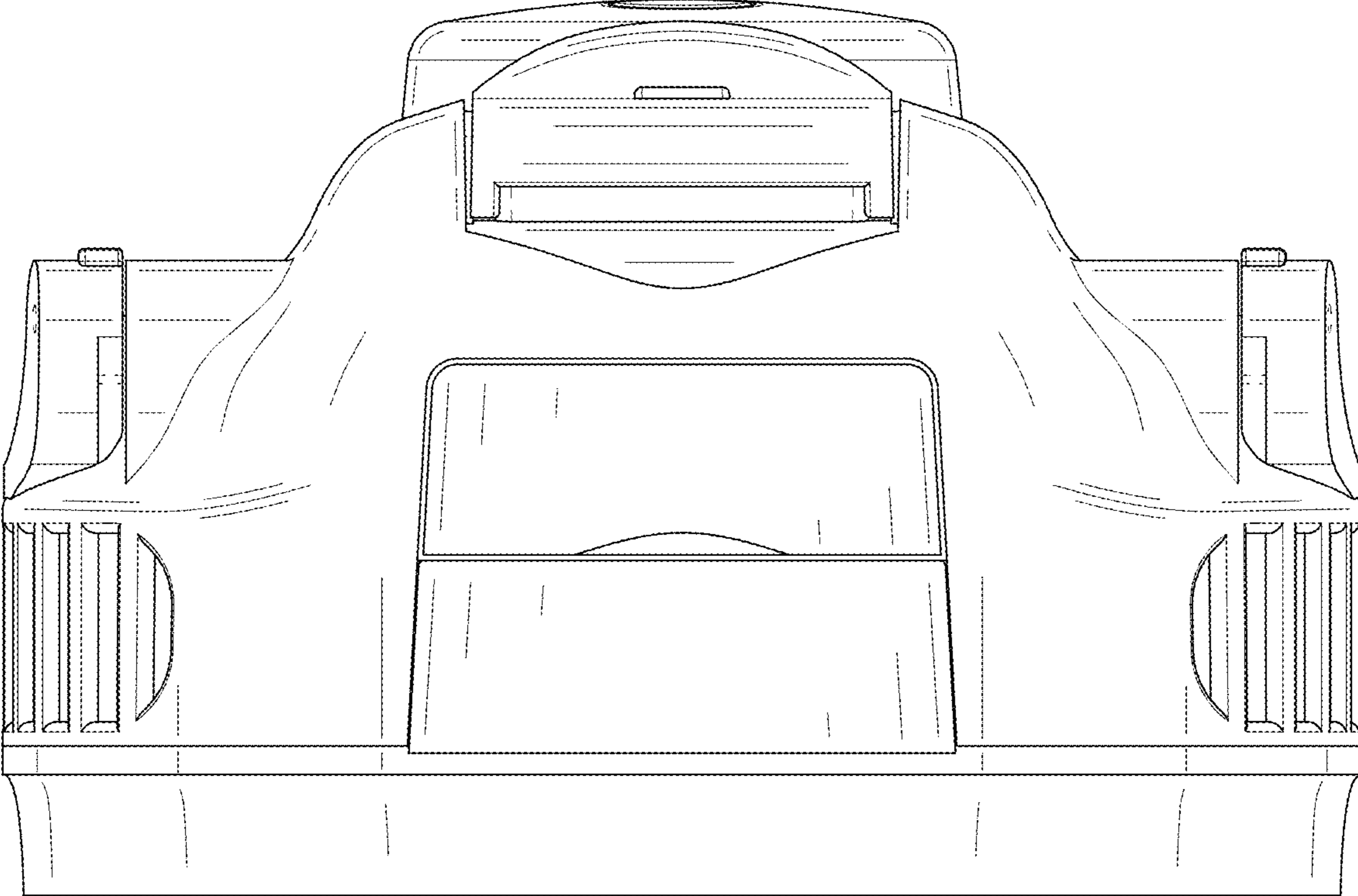


FIG. 4

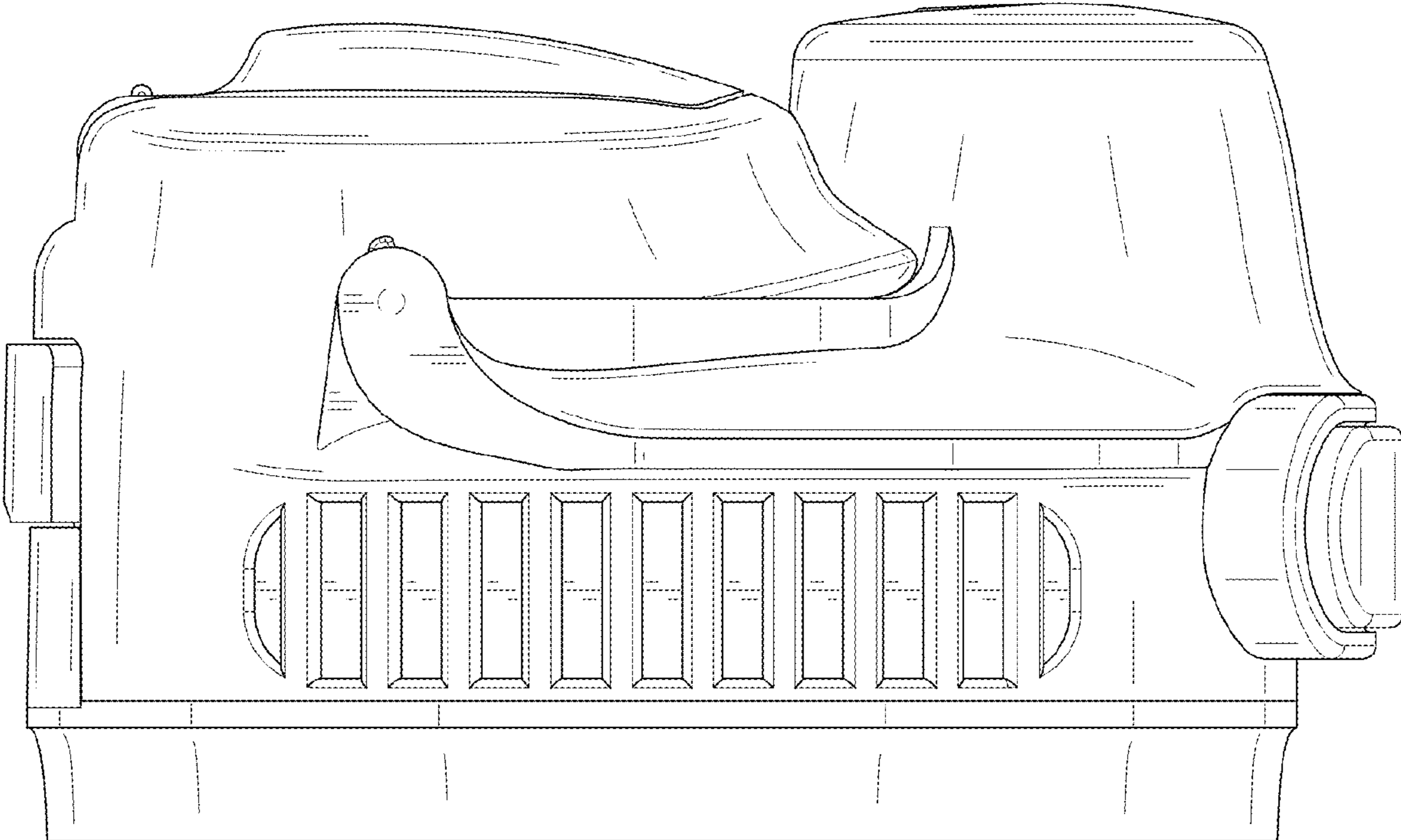


FIG.5

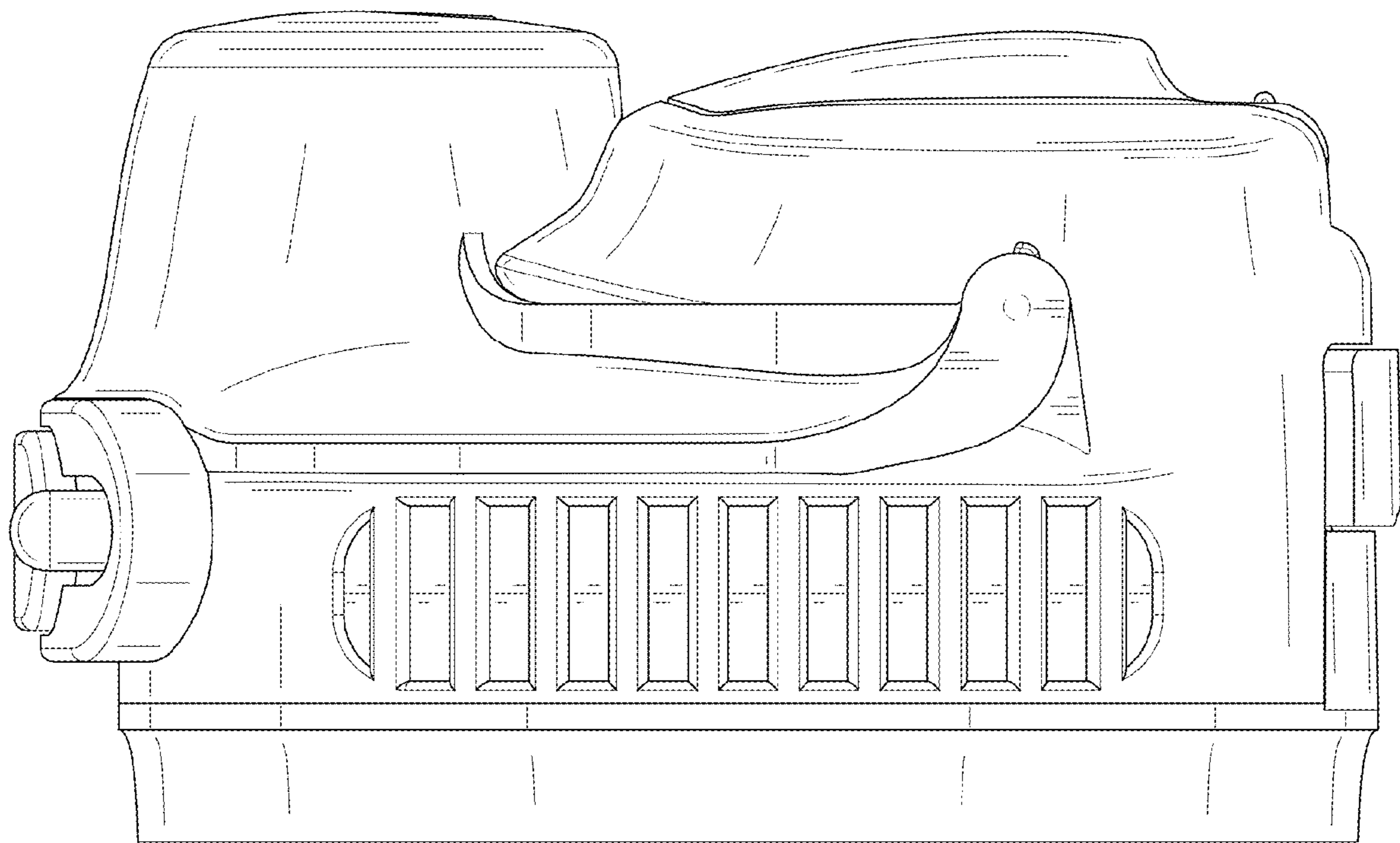


FIG. 6

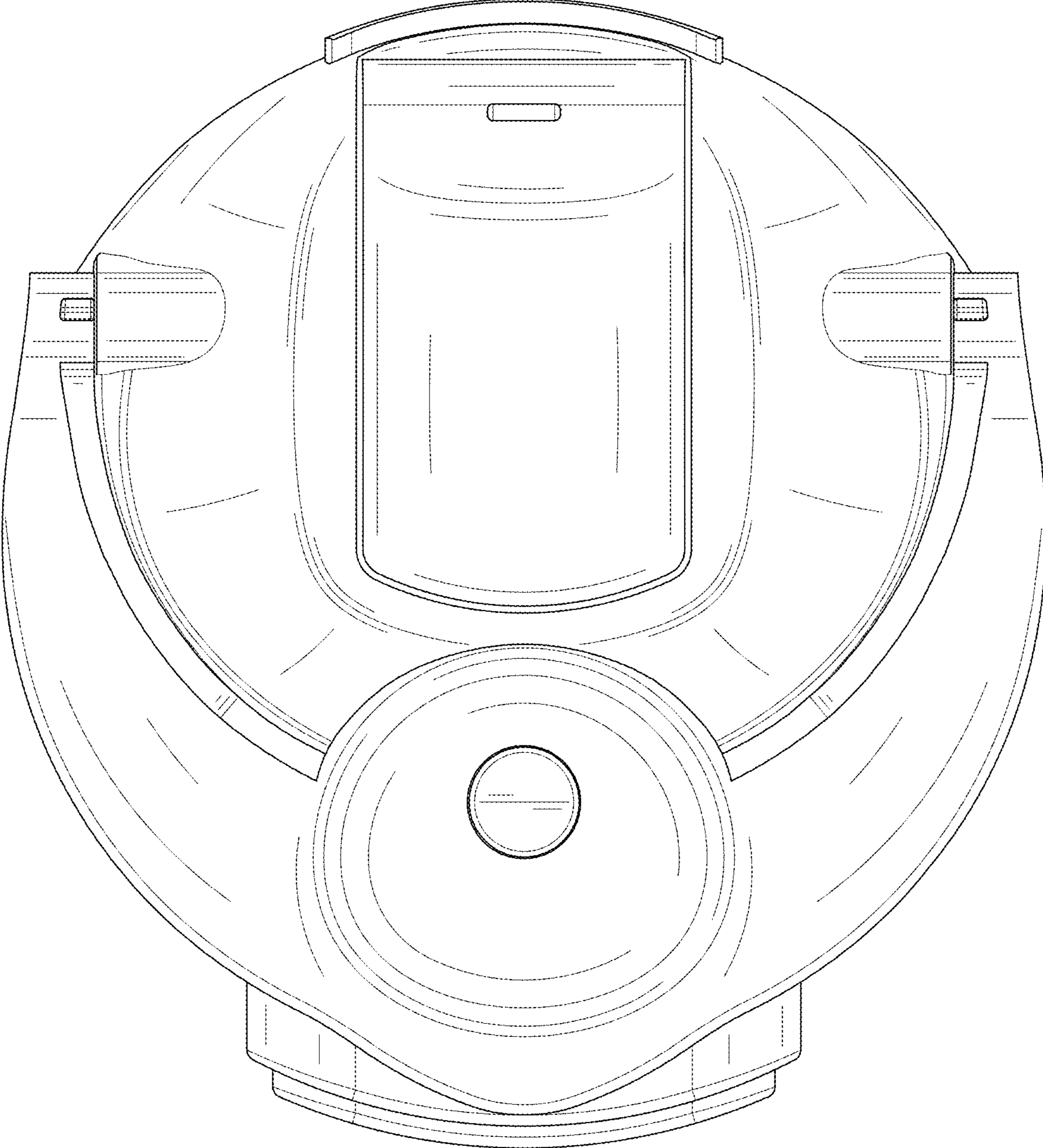


FIG. 7

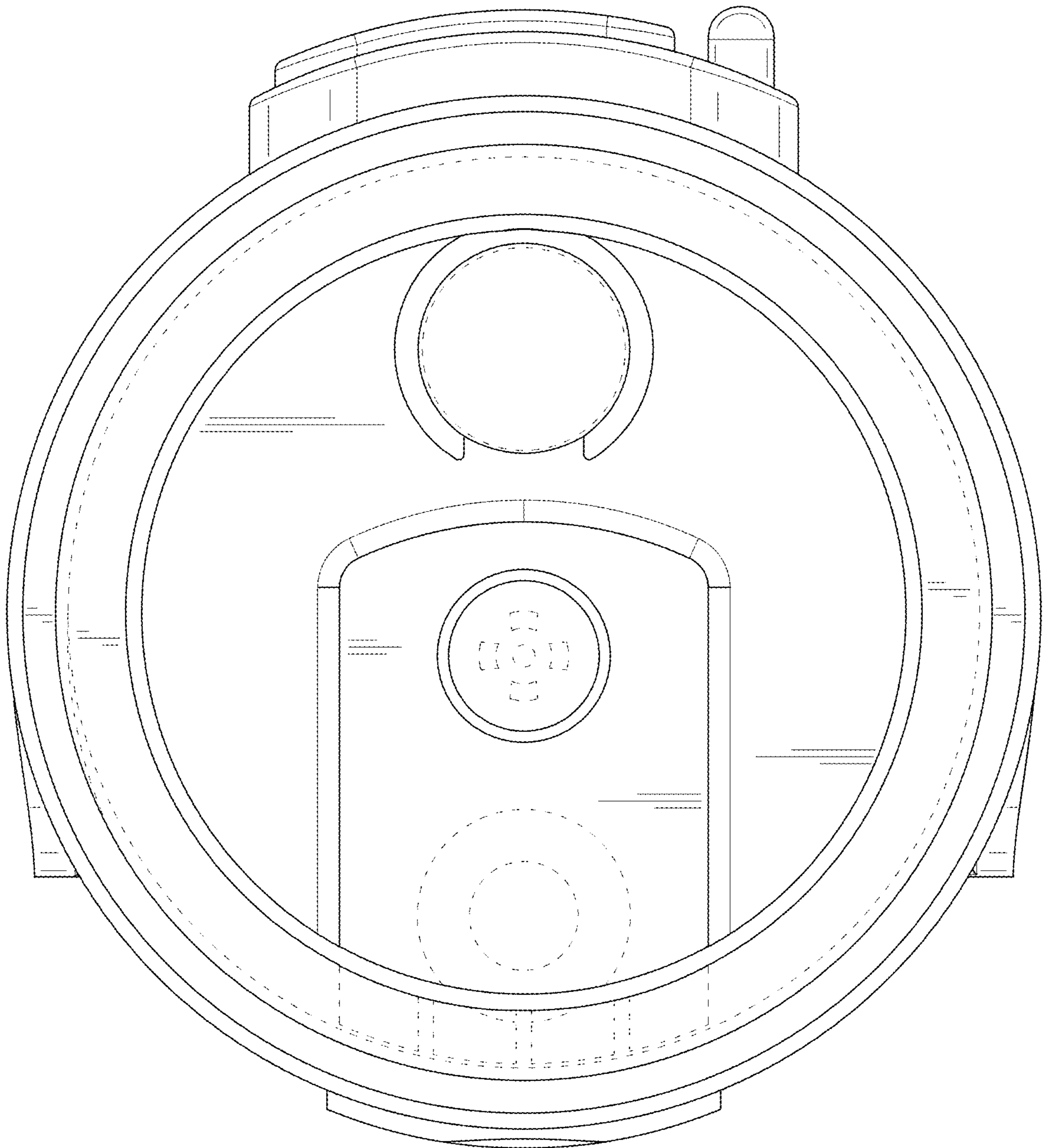


FIG. 8