



US00D988787S

(12) **United States Design Patent**
Omdahl, II et al.

(10) **Patent No.:** **US D988,787 S**
(45) **Date of Patent:** **** Jun. 13, 2023**

(54) **CONTAINER**

(71) Applicant: **Runway Blue, LLC**, Alpine, UT (US)

(72) Inventors: **John R. Omdahl, II**, Lindon, UT (US);
David O. Meyers, East Layton, UT (US)

(73) Assignee: **Runway Blue, LLC**, Alpine, UT (US)

(**) Term: **15 Years**

(21) Appl. No.: **29/703,415**

(22) Filed: **Aug. 27, 2019**

(51) **LOC (14) Cl.** **07-02**

(52) **U.S. Cl.**
USPC **D7/392.1**

(58) **Field of Classification Search**
USPC D7/392, 392.1, 554.2, 535, 542, 553.6,
D7/396.2; D9/424, 428, 429, 447, 772,
D9/904

CPC . A47G 23/06; A47G 2/18; A47J 43/27; A45F
3/16; A61J 7/0038; B65D 2517/0049;
B65D 51/24; B65D 41/46

See application file for complete search history.

(56) **References Cited**

U.S. PATENT DOCUMENTS

D510,235 S	10/2005	Meyers et al.	
D626,837 S	11/2010	Meyers et al.	
D626,838 S	11/2010	Meyers et al.	
D644,065 S	8/2011	Llerena	
D696,551 S	12/2013	Meyers et al.	
D745,827 S	12/2015	Sorensen et al.	
D748,430 S	2/2016	Sorensen et al.	
D748,478 S	2/2016	Sorensen et al.	
D763,688 S *	8/2016	Breit	D9/443
D768,491 S	10/2016	Sorensen et al.	
D792,216 S *	7/2017	Breit	D9/443
D793,154 S	8/2017	Sorensen et al.	
D801,111 S *	10/2017	Eyal	D9/449

D820,038 S	6/2018	Sorensen et al.	
D848,209 S	5/2019	Omdahl, II et al.	
D848,786 S *	5/2019	Bujalska	D7/392.1
D854,880 S	7/2019	Meyers et al.	
D858,181 S *	9/2019	Lown	D9/449
D862,156 S	10/2019	Meyers et al.	
D864,657 S	10/2019	Omdahl et al.	
D878,853 S *	3/2020	Omdahl, II	D9/449
D879,550 S *	3/2020	Lane	D7/392
D899,189 S *	10/2020	Pan	D7/529

(Continued)

OTHER PUBLICATIONS

Target website, Blender Bottle Strada Twist, Publication date unknown, [site visited Dec. 31, 2022], Available on the Internet URL <https://www.target.com/p/blender-bottle-strada-twist-24-oz-stainless-steel-shaker-white/-/A-86766459> (Year: 2022).*

(Continued)

Primary Examiner — S. Bryan Reinholdt, Jr.
(74) *Attorney, Agent, or Firm* — Sterne, Kessler, Goldstein & Fox P.L.L.C.

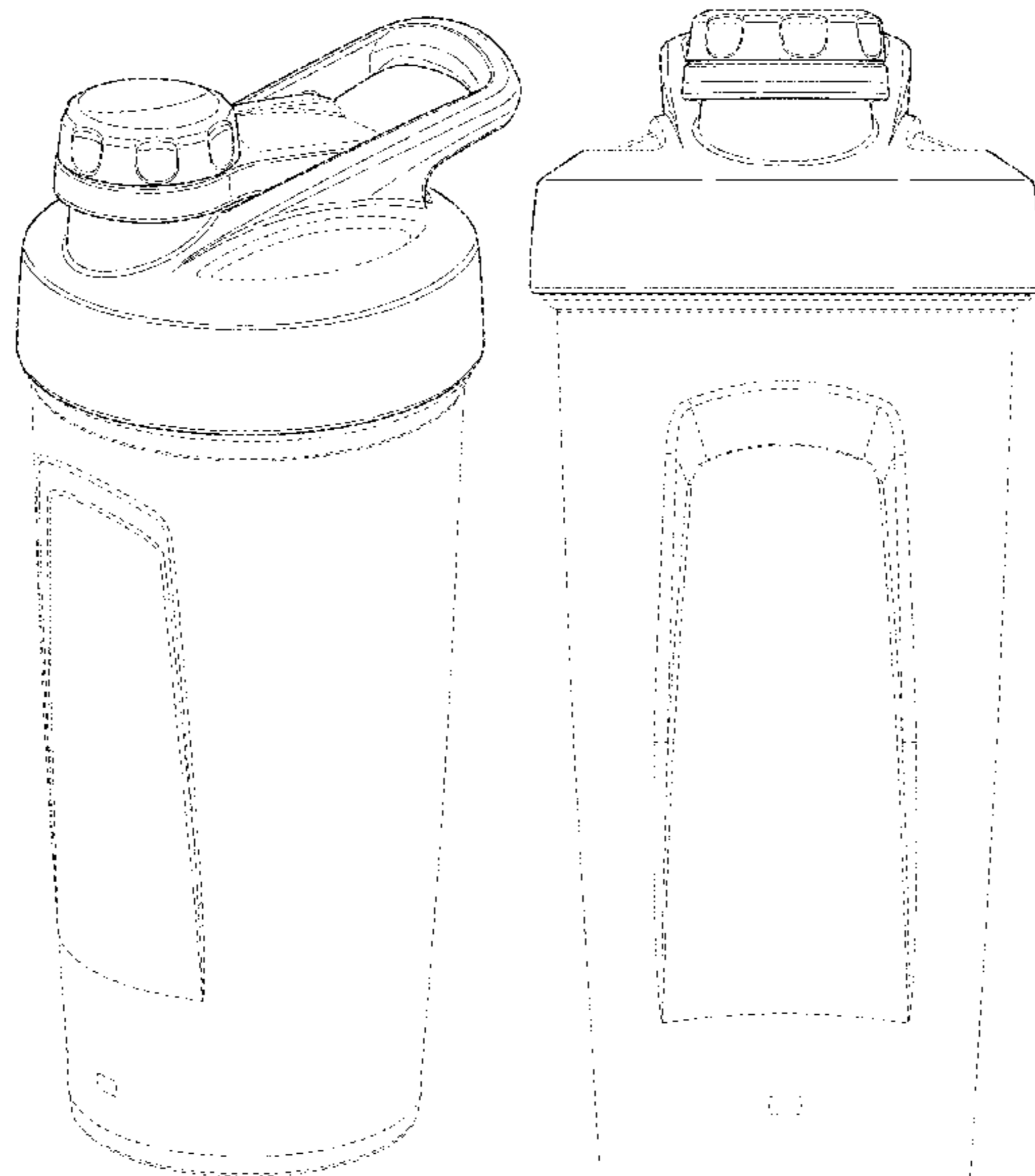
(57) **CLAIM**

The ornamental design for a container, as shown and described.

DESCRIPTION

FIG. 1 is a top front perspective view of a container showing the claimed design;
FIG. 2 is a front view thereof;
FIG. 3 is a rear view thereof;
FIG. 4 is a left side view thereof;
FIG. 5 is a right side view thereof;
FIG. 6 is a top view thereof; and,
FIG. 7 is a bottom view thereof.
The broken lines in the figures show portions of the container that form no part of the claimed design.

1 Claim, 7 Drawing Sheets



(56)

References Cited

U.S. PATENT DOCUMENTS

D935,266 S * 11/2021 Chen D7/392.1
D936,413 S * 11/2021 Omdahl, II D9/449
11,278,139 B2 * 3/2022 Sorensen B65D 53/04
D963,403 S * 9/2022 Zhou D7/391

OTHER PUBLICATIONS

Blender Bottle website, Strada Twist Flip Lid, Publication date unknown, [site visited Dec. 31, 2022], Available on the Internet URL <https://www.blenderbottle.com/products/strada-twist-flip-straw-bundle> (Year: 2022).*

Amazon website, Blender Bottle Strada Shaker Cup, Publication date Feb. 11, 2020, [site visited Dec. 31, 2022], Available on the Internet URL <https://www.amazon.com/BlenderBottle-Strada-Insulated-Stainless-24-Ounce/dp/B084PVQGH1?th=1> (Year: 2020).*

* cited by examiner

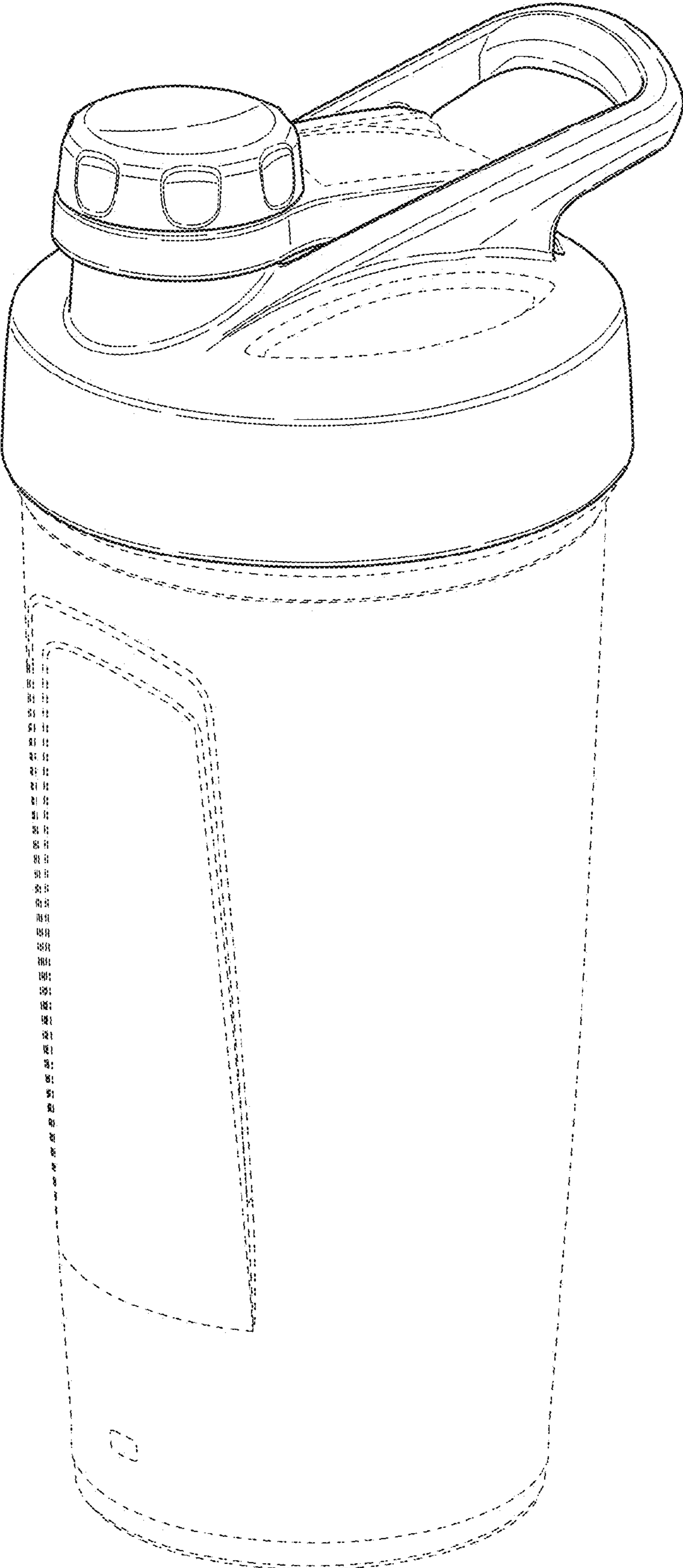


FIG. 1

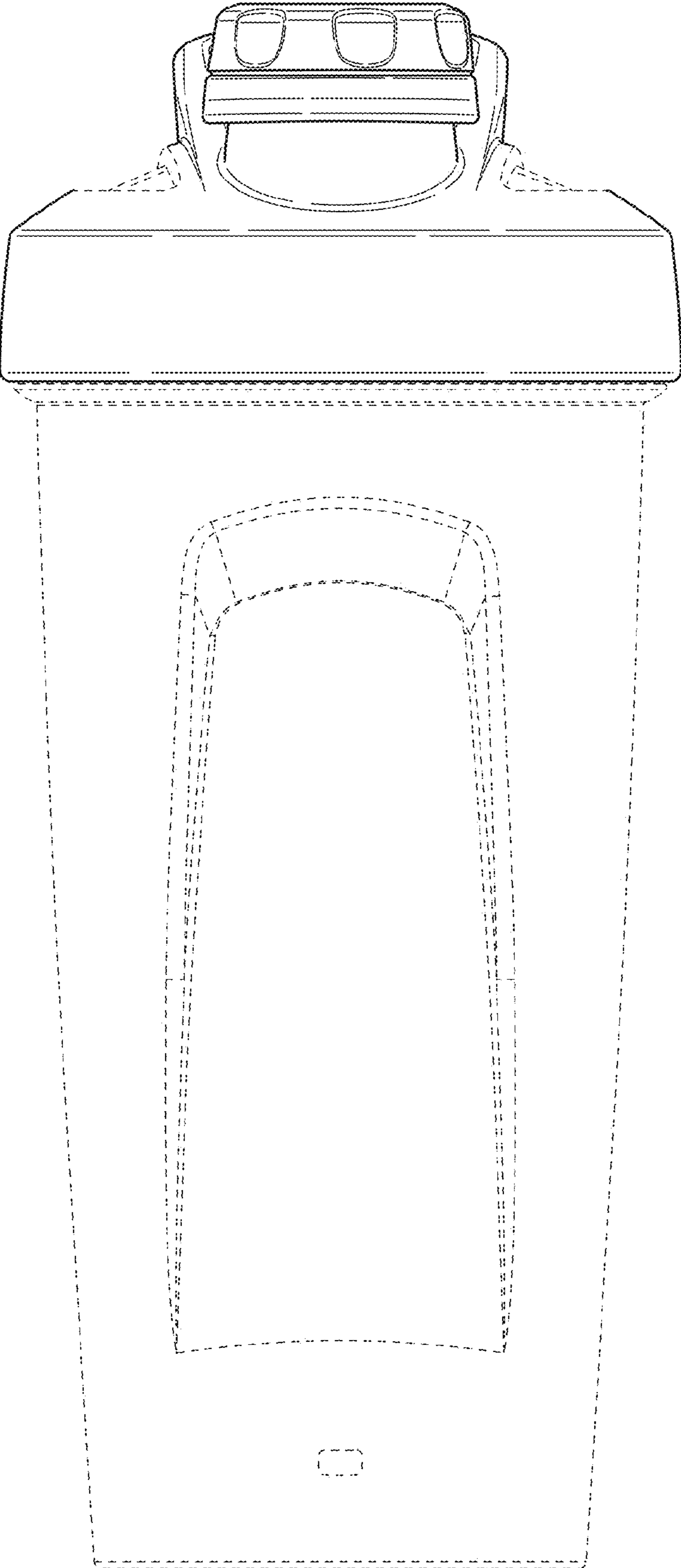


FIG. 2

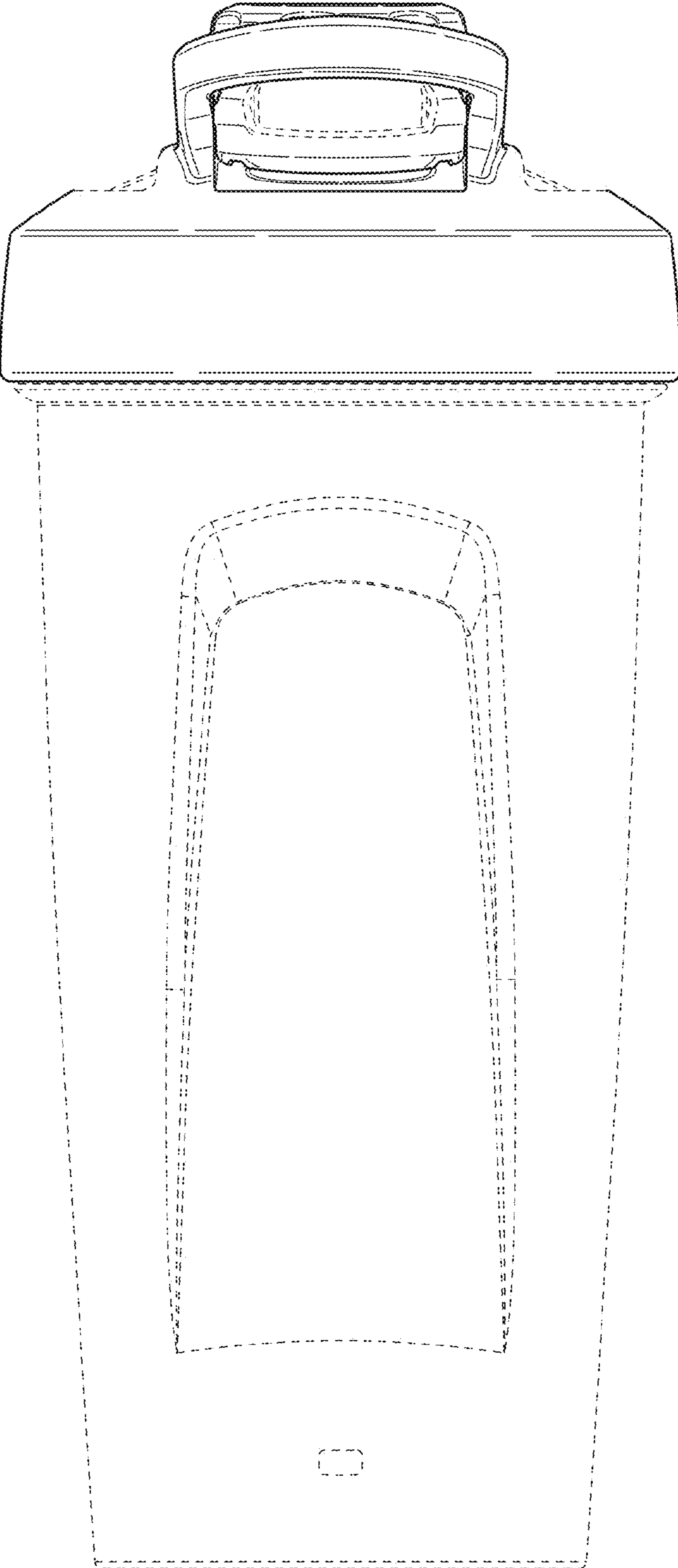


FIG. 3



FIG. 4

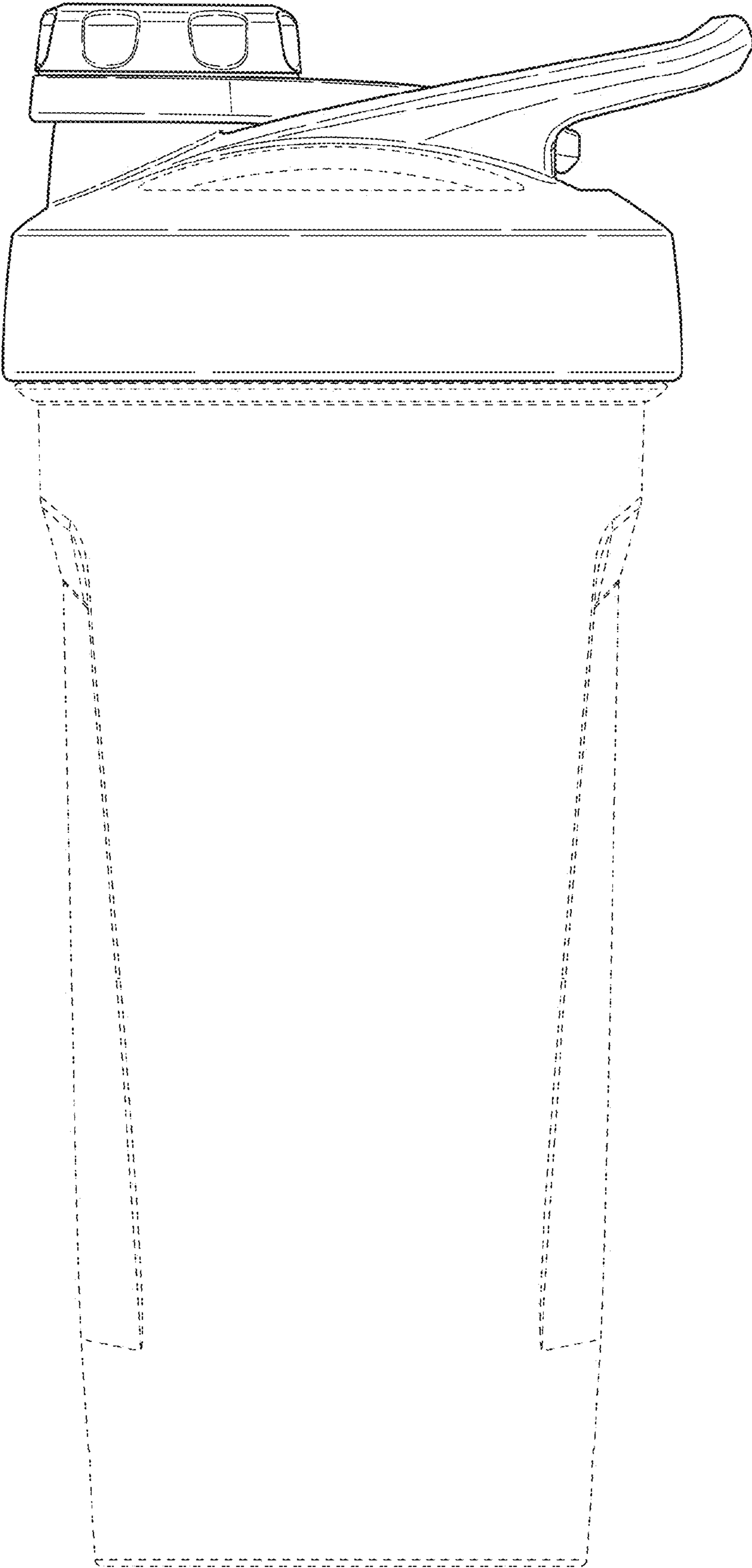


FIG. 5

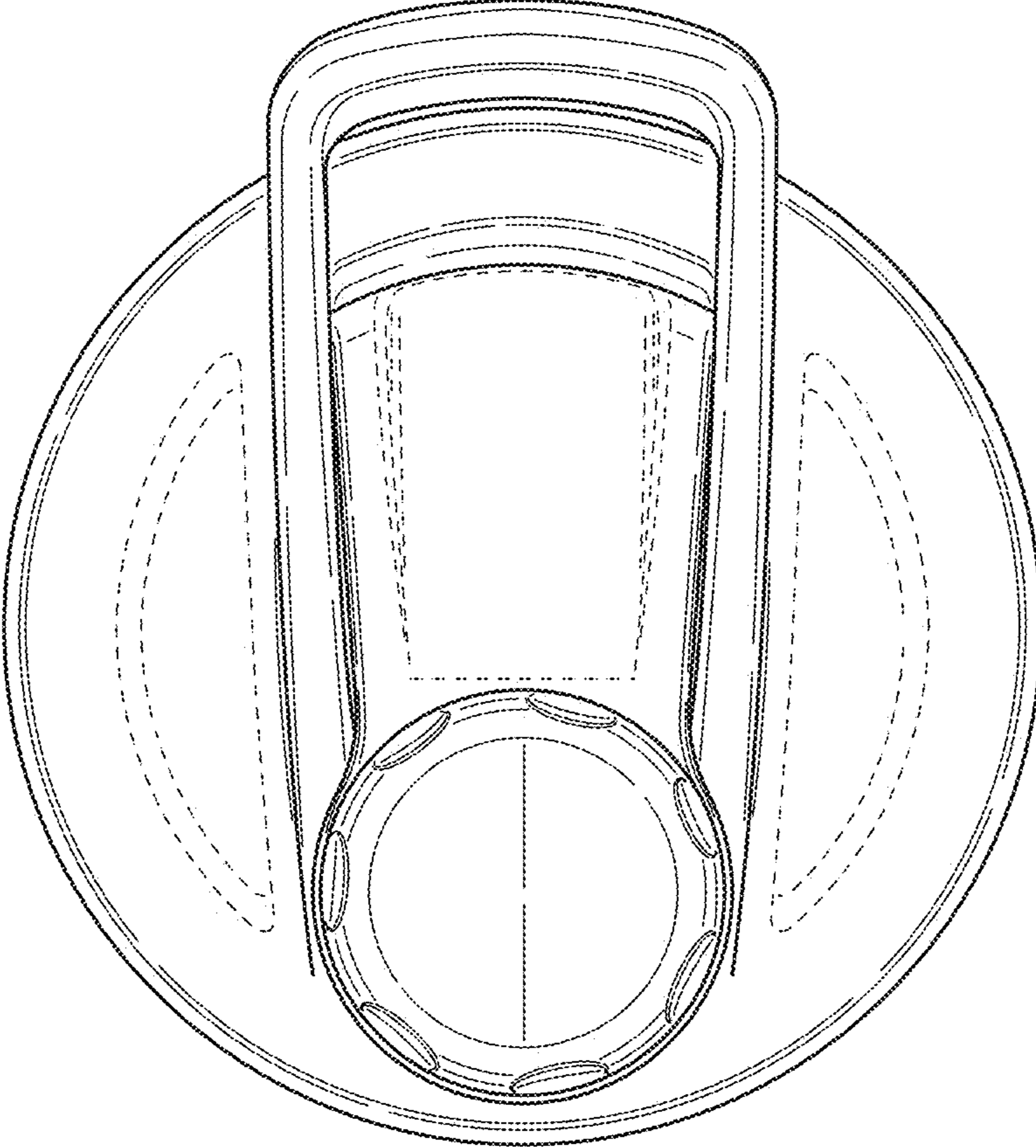


FIG. 6

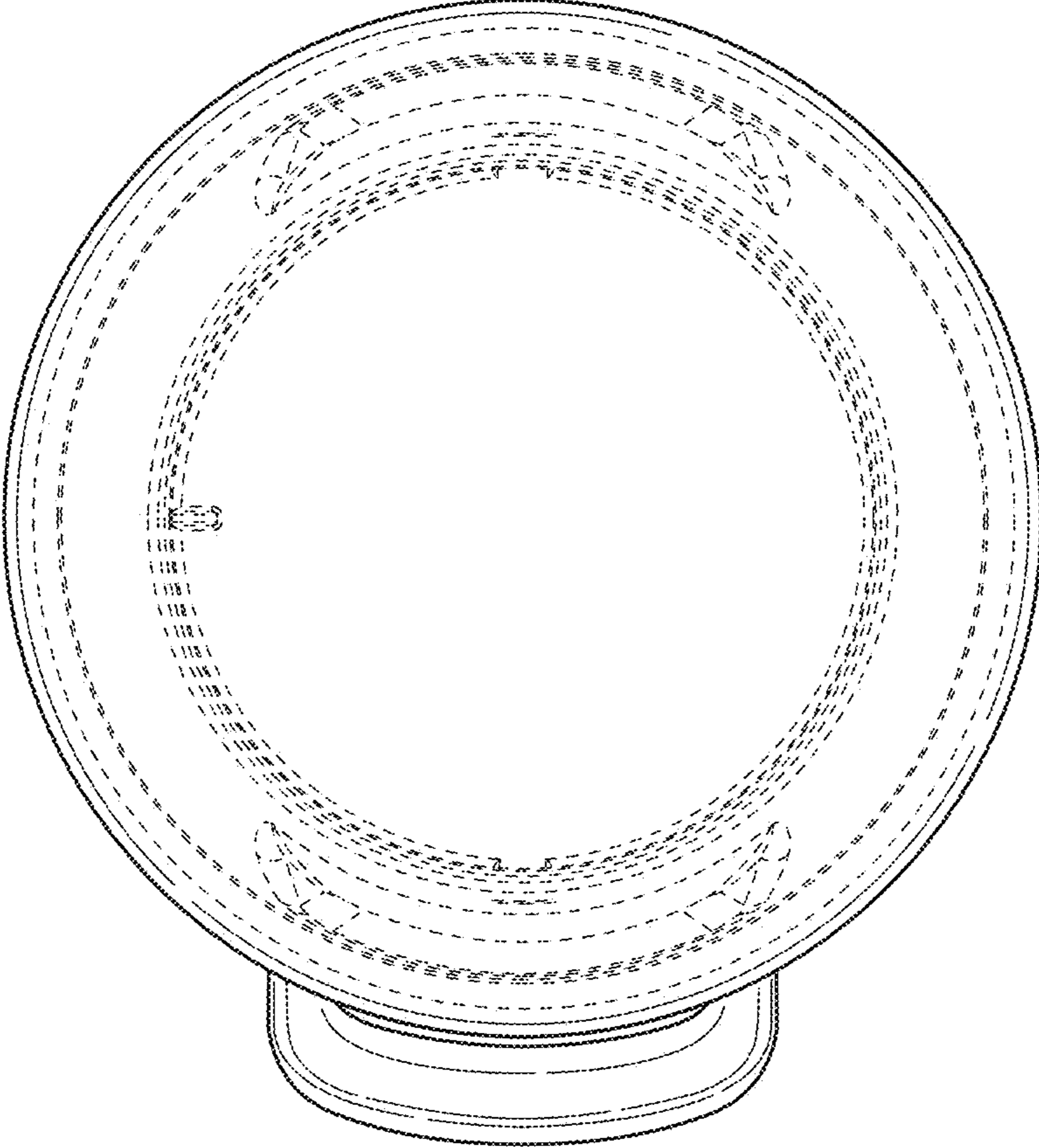


FIG. 7