



US00D988786S

(12) **United States Design Patent**
Jorden

(10) **Patent No.:** **US D988,786 S**
(45) **Date of Patent:** **** Jun. 13, 2023**

- (54) **THREADED TUMBLER BOTTLE CAP**
- (71) Applicant: **Jeff L. Jorden**, Graham, WA (US)
- (72) Inventor: **Jeff L. Jorden**, Graham, WA (US)
- (**) Term: **15 Years**
- (21) Appl. No.: **29/850,840**
- (22) Filed: **Aug. 23, 2022**

D758,859 S *	6/2016	Sorensen	D7/393
D760,586 S *	7/2016	Seiders	D9/434
D762,418 S *	8/2016	Sorensen	D7/532
D781,146 S	3/2017	Seiders		
D783,367 S *	4/2017	Seiders	D9/504
D786,012 S	5/2017	Hein		
D814,852 S *	4/2018	Melanson	D7/378
D814,928 S *	4/2018	Seiders	D9/443
D819,396 S *	6/2018	Seiders	D7/392.1
D850,849 S *	6/2019	Ke	D14/204
D853,237 S *	7/2019	Yao	D21/468
D860,715 S *	9/2019	Bohman	D7/392.1
D862,228 S *	10/2019	Yao	D7/392.1

(Continued)

Related U.S. Application Data

- (63) Continuation-in-part of application No. 17/845,107, filed on Jun. 21, 2022.
- (51) **LOC (14) Cl.** **07-01**
- (52) **U.S. Cl.**
USPC **D7/396.2; D7/392.1**
- (58) **Field of Classification Search**
USPC ... D7/372, 376-386, 391, 392, 392.1, 396.2, D7/412-413, 511, 602, 608, 629, D7/665-666, 669, 679, 693-694; D9/436, 443
CPC A21C 1/02; A21C 1/04; A23N 1/00; A23N 1/02; A47J 43/04; A47J 43/25; A47J 43/27; A47J 43/042; A47J 43/044; A47J 43/046; A47J 43/075; A47J 43/0722; A47J 43/0727; B01F 3/00; B01F 3/0807; B01F 3/0853; B01F 13/0059; B01F 13/0064; B02C 1/08; B02C 2/04; B02C 4/42; B02C 4/142; B02C 4/143; B02C 4/423; B02C 13/1835; B28C 5/10; B28C 5/12; B28C 5/14; B28C 5/16; B65D 81/3869
See application file for complete search history.

References Cited

U.S. PATENT DOCUMENTS

4,090,631 A	5/1978	Grussen
8,636,166 B2	1/2014	Lane
D719,780 S	12/2014	Sullivan

OTHER PUBLICATIONS

YETI Rambler Bottle Chug Cap. Date First Available on Amazon.com May 15, 2017. <https://www.amazon.com/YETI-Rambler-Bottle-Chug-Bottles/dp/B07233837H> (Year: 2017).*

Primary Examiner — Ricky Pham

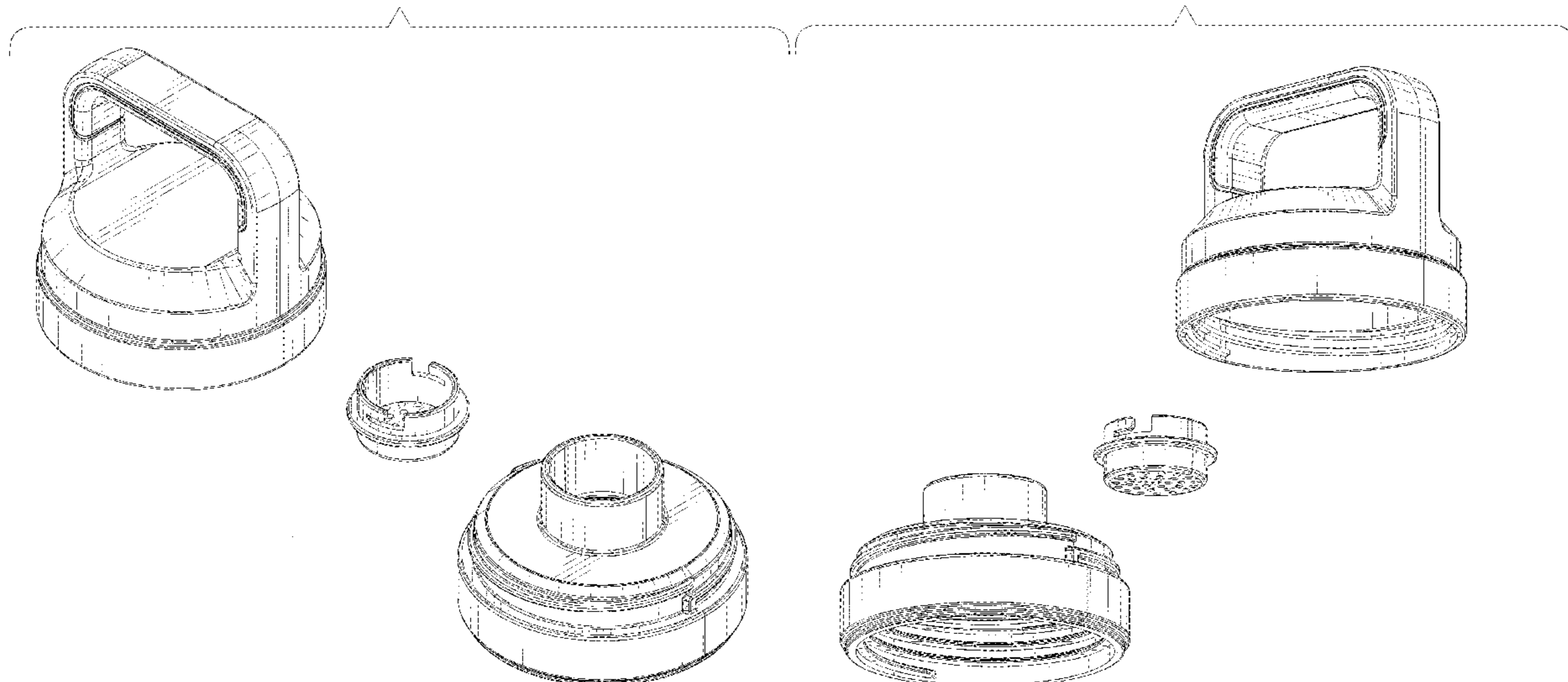
(57) **CLAIM**

The ornamental design for a threaded tumbler bottle cap, as shown and described.

DESCRIPTION

FIG. 1 is a top-left-front perspective view of a threaded tumbler bottle cap showing my design;
 FIG. 2 is a bottom-right-rear perspective view thereof;
 FIG. 3 is a front elevational view thereof;
 FIG. 4 is a rear elevational view thereof;
 FIG. 5 is a right-side elevational view thereof;
 FIG. 6 is a left-side elevational view thereof;
 FIG. 7 is a top plan view thereof;
 FIG. 8 is a bottom plan view thereof;
 FIG. 9 is a top-left-front perspective view thereof in a collapsed configuration; and,
 FIG. 10 is a bottom-right-rear perspective view thereof in the collapsed configuration.

1 Claim, 10 Drawing Sheets



(56)

References Cited

U.S. PATENT DOCUMENTS

D893,938 S * 8/2020 Kander D7/392.1
2017/0119212 A1 * 5/2017 Petrillo B65D 81/3869

* cited by examiner

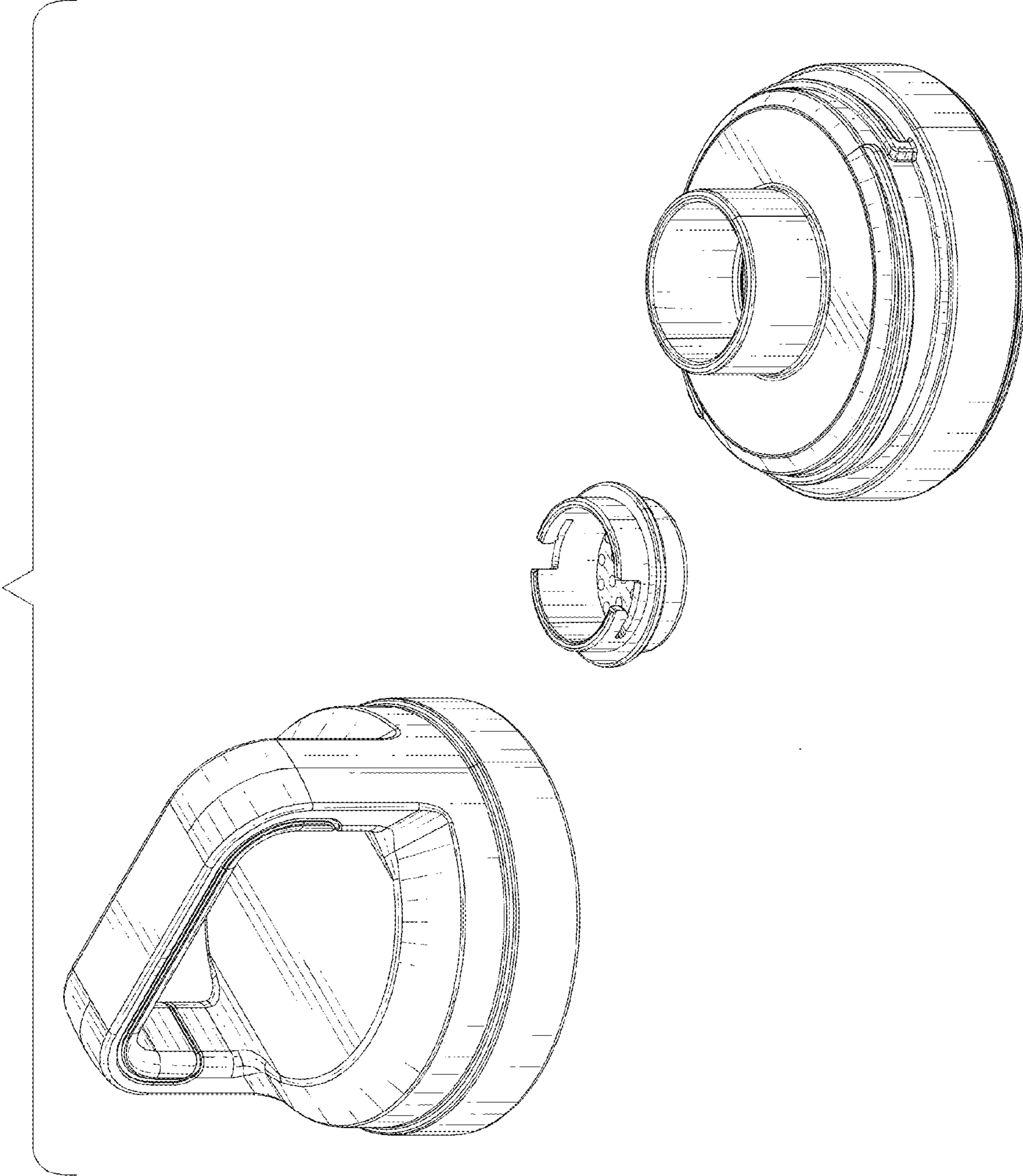


FIG. 1

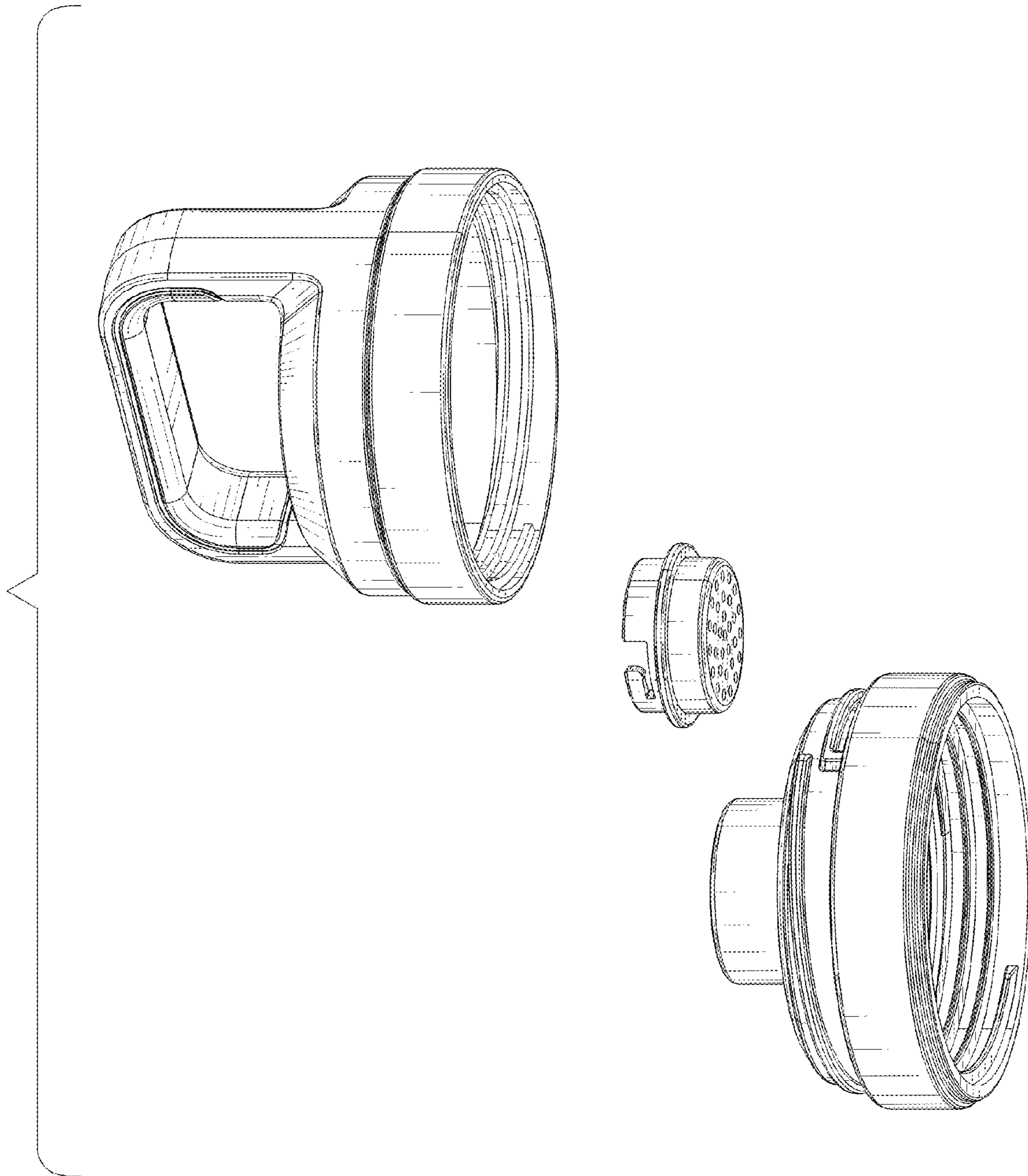


FIG. 2

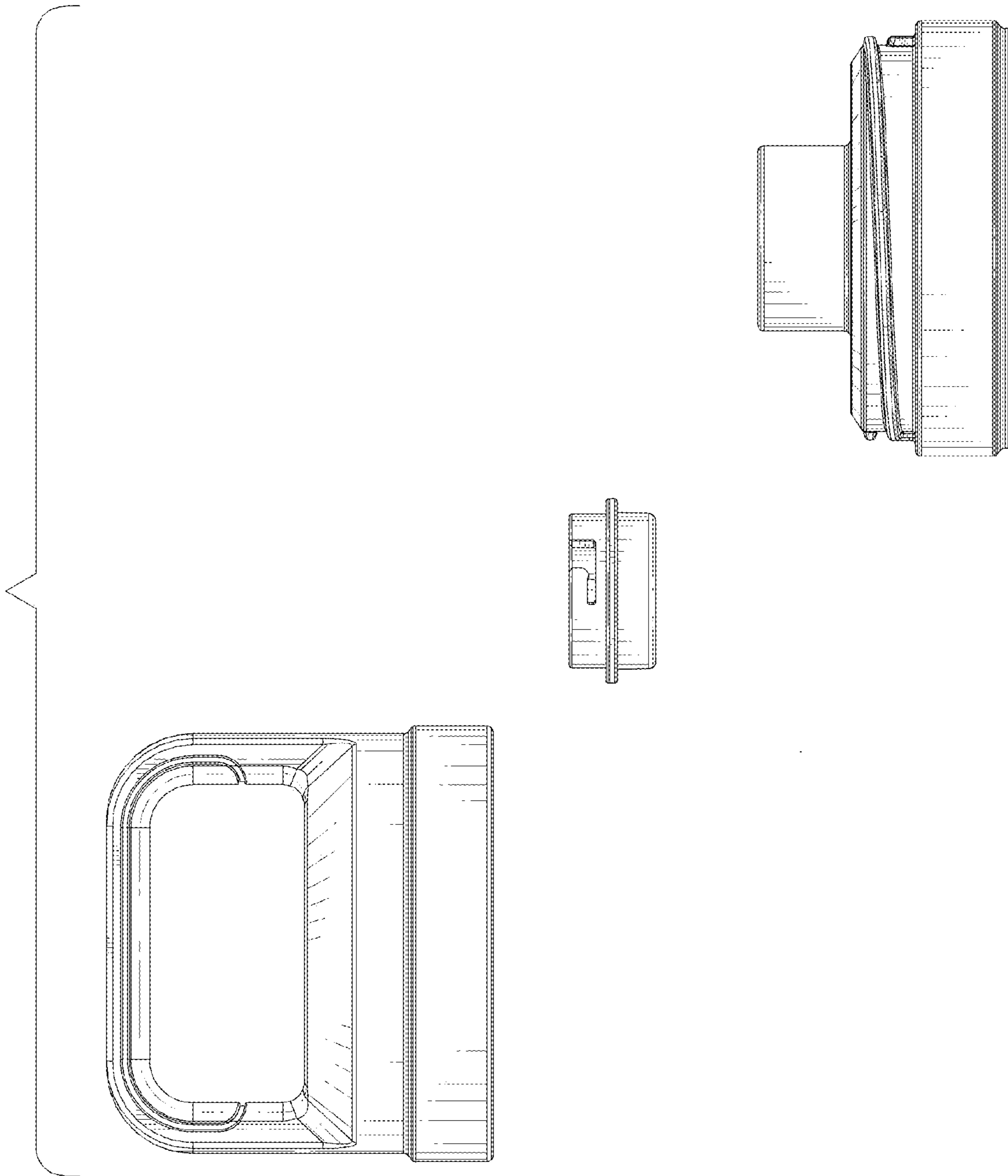


FIG. 3

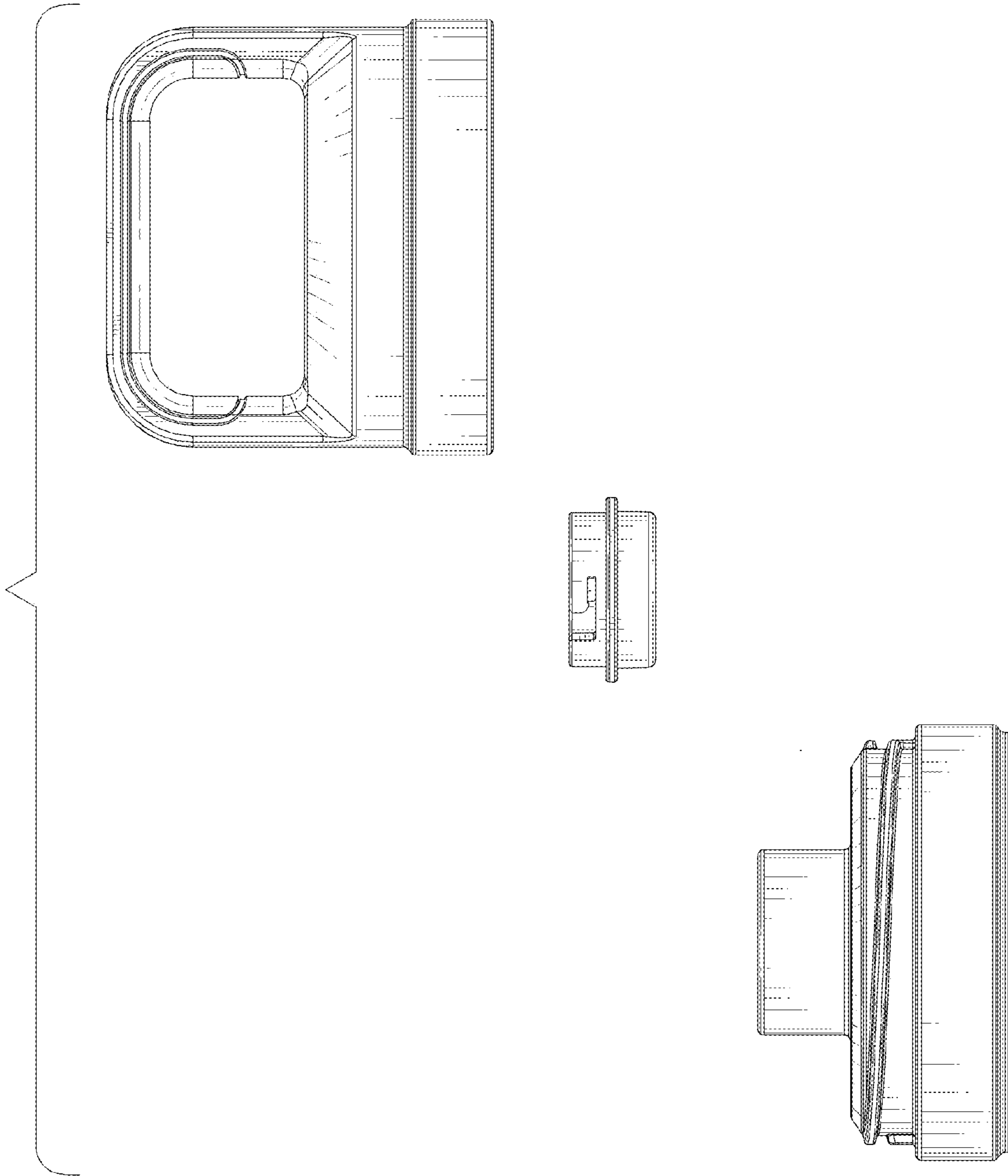


FIG. 4

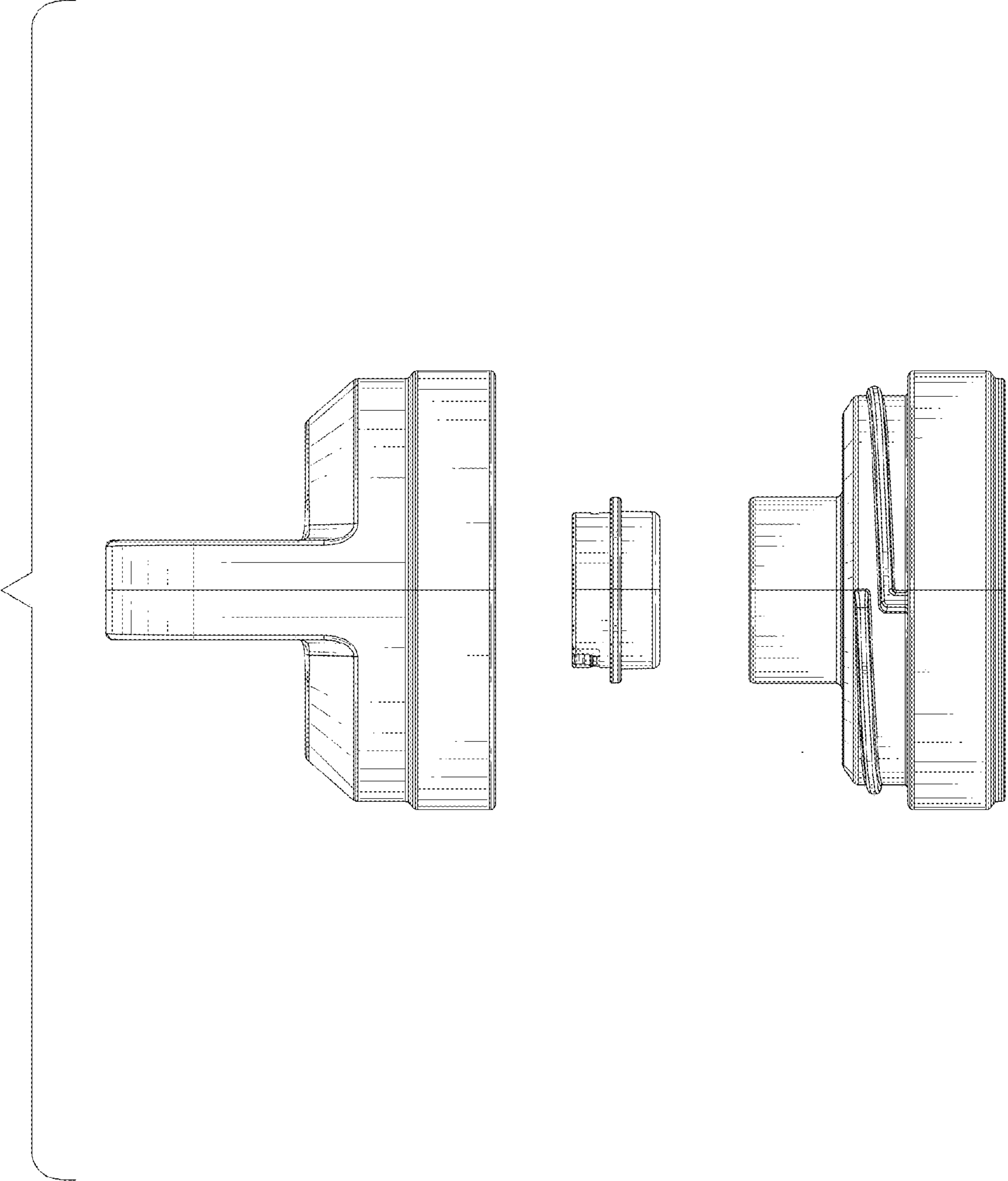


FIG. 5

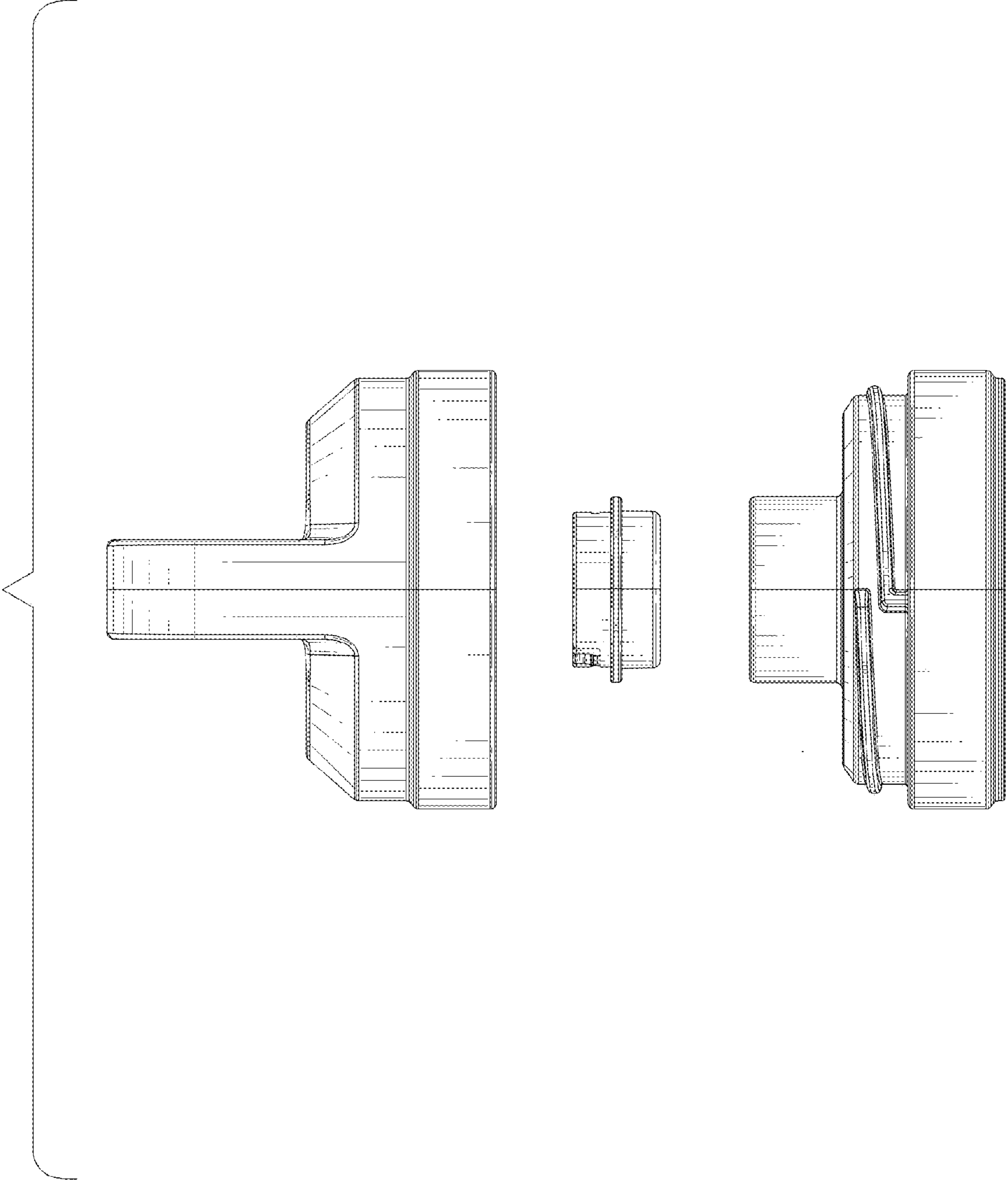


FIG. 6

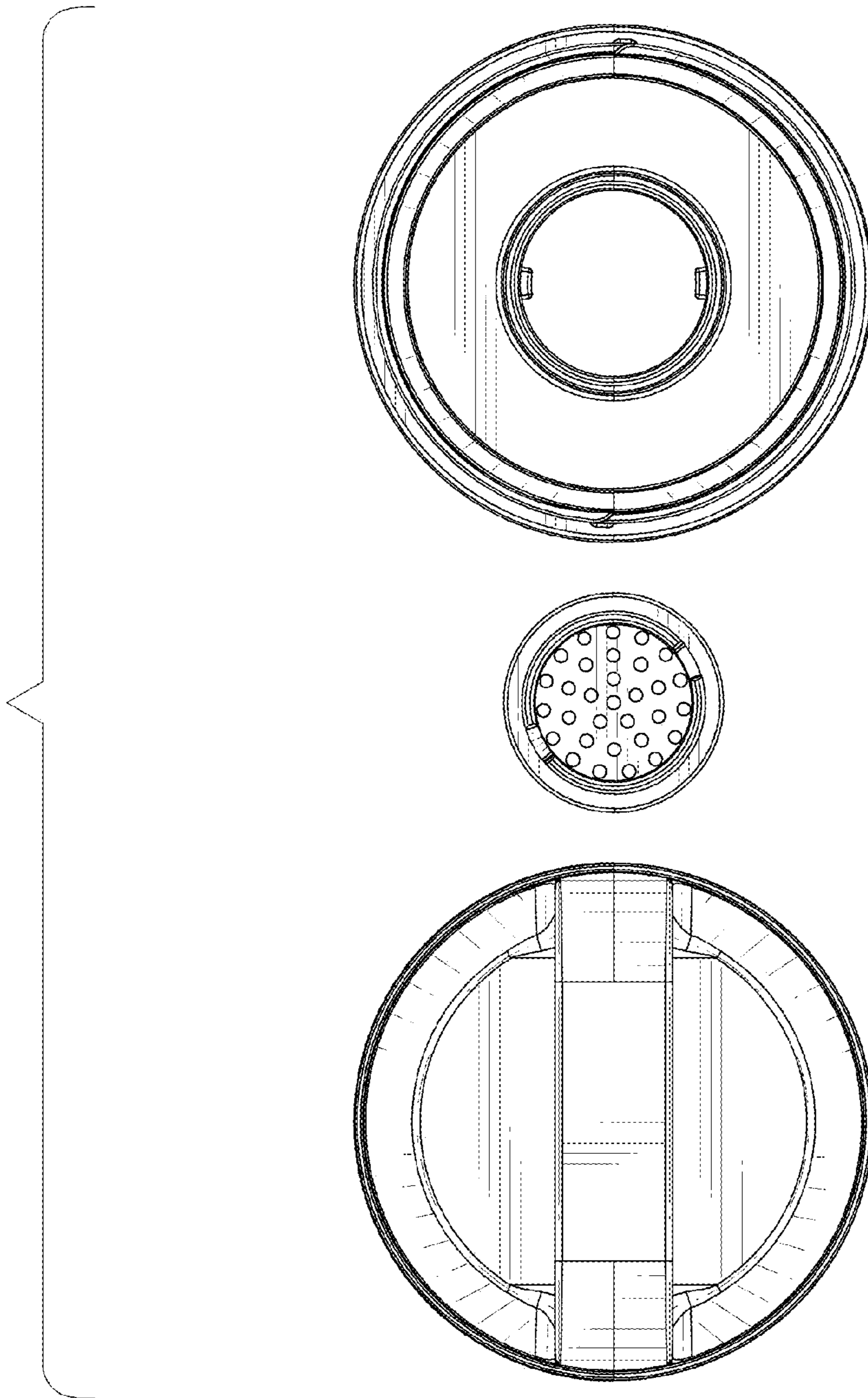


FIG. 7

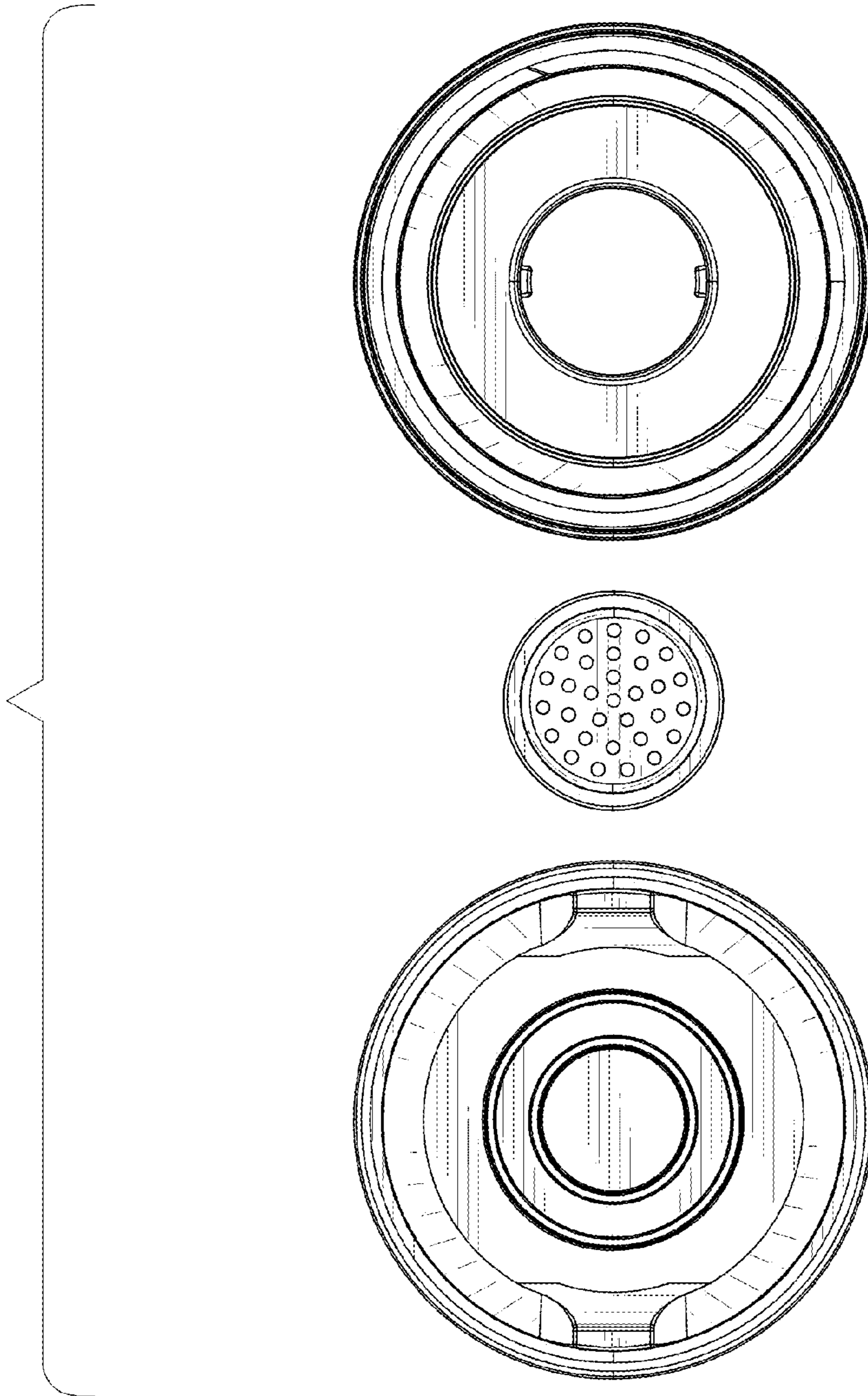


FIG. 8

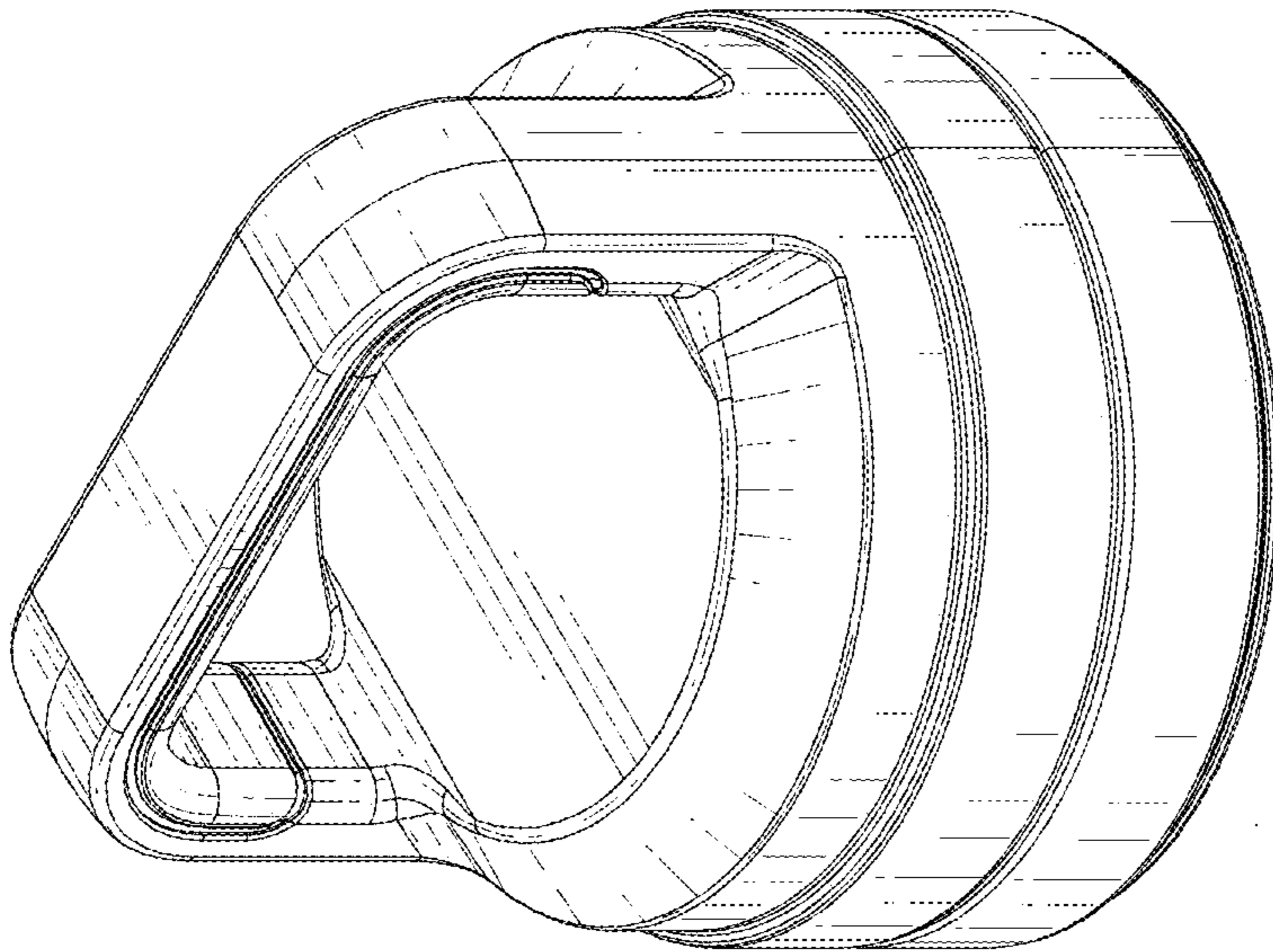


FIG. 9

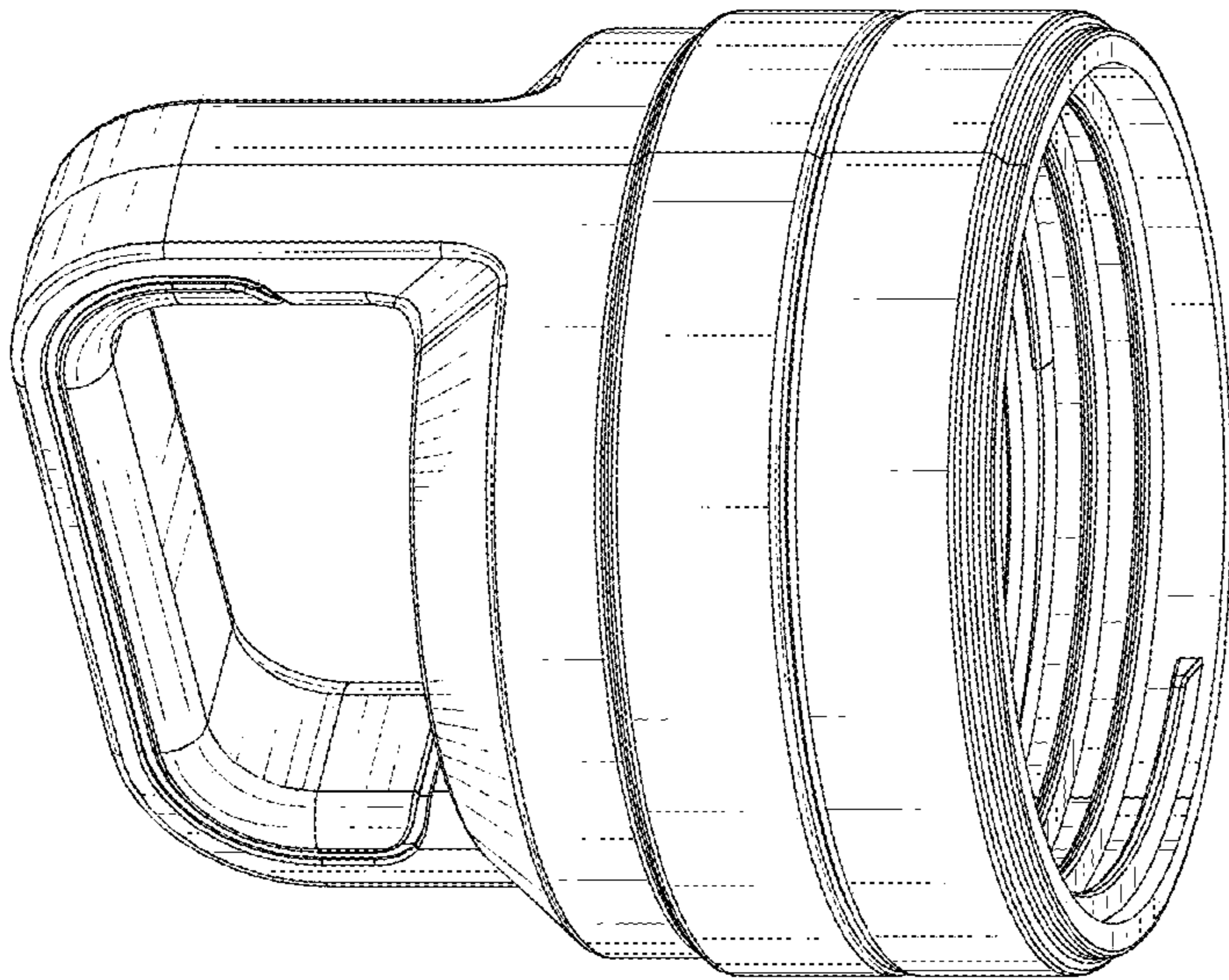


FIG. 10