



US00D988784S

(12) **United States Design Patent**
Ding

(10) **Patent No.:** **US D988,784 S**
(45) **Date of Patent:** **** Jun. 13, 2023**

(54) **GRIDDLE ACCESSORY**

(71) Applicant: **Shihong Ding**, Chongqing (CN)

(72) Inventor: **Shihong Ding**, Chongqing (CN)

(**) Term: **15 Years**

(21) Appl. No.: **29/857,462**

(22) Filed: **Oct. 21, 2022**

(51) **LOC (14) Cl.** **07-02**

(52) **U.S. Cl.**
USPC **D7/402**

(58) **Field of Classification Search**
USPC D7/323, 332, 334–337, 387, 402,
D7/405–409; D8/403
CPC A47J 37/06; A47J 37/0623; A47J 37/0647;
A47J 37/0652; A47J 37/0664; A47J
37/07; A47J 37/0704; A47J 37/0713;
A47J 37/0718; A47J 37/0727; A47J
37/0731; A47J 37/074; A47J 37/0763;
A47J 37/0786

See application file for complete search history.

(56) **References Cited**

U.S. PATENT DOCUMENTS

D249,009 S * 8/1978 Grove D7/407
D449,491 S * 10/2001 Measom D7/334
D450,524 S * 11/2001 Measom D7/332

(Continued)

OTHER PUBLICATIONS

Sivsis Wind Guard for Blackstone Griddle, first available Jul. 14, 2022, Amazon, [online], [site visited Jan. 19, 2023], Available from internet URL: <https://www.amazon.com/Blackstone-Griddle-28-Compatible-Accessories/dp/B0B6H57QB1> (Year: 2022).*

Primary Examiner — Mary Ann Calabrese
Assistant Examiner — Natalya M Rapundalo

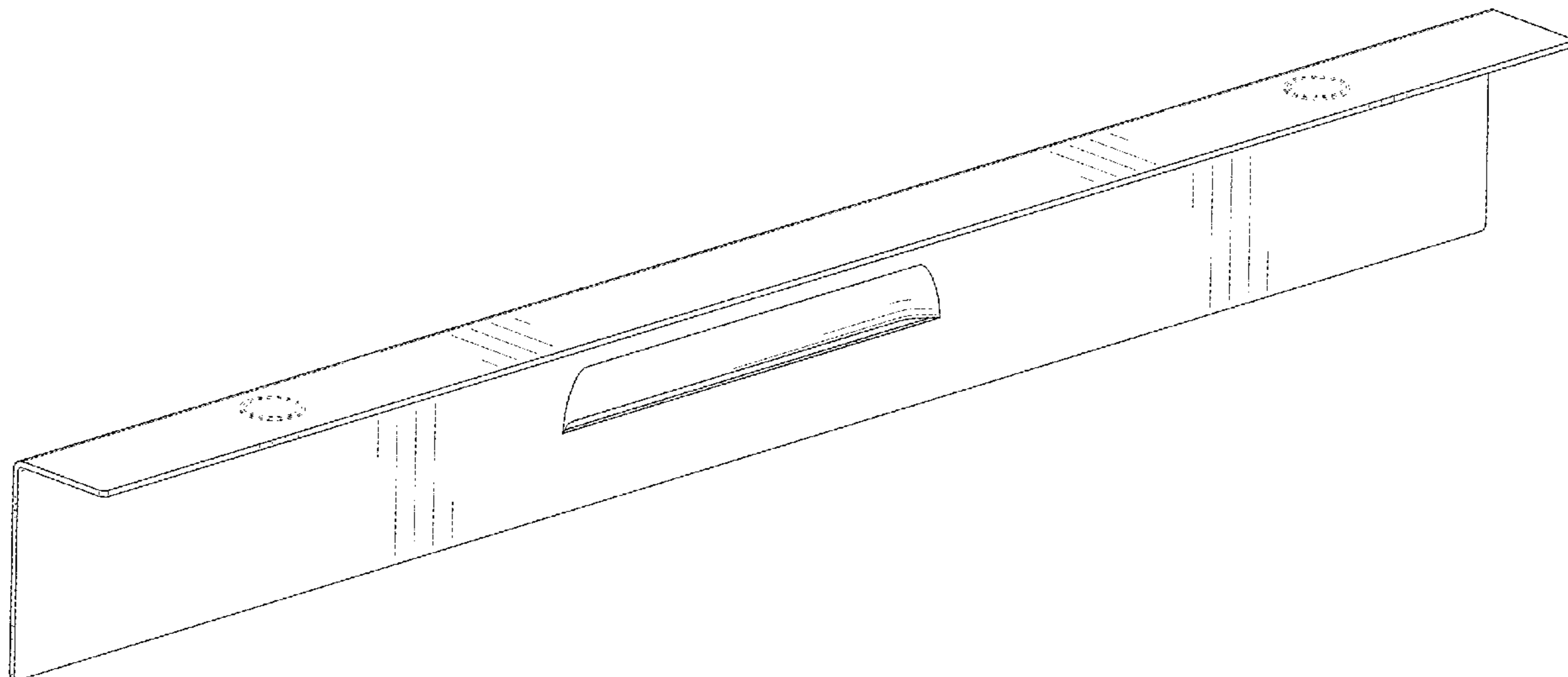
(57) **CLAIM**

The ornamental design for a griddle accessory, as shown and described.

DESCRIPTION

FIG. 1 is a front, left and top perspective view of a first embodiment of a griddle accessory, showing my new design; FIG. 2 is a rear, right and bottom perspective view thereof; FIG. 3 is a front view thereof; FIG. 4 is a rear view thereof; FIG. 5 is a left side view thereof; FIG. 6 is a right side view thereof; FIG. 7 is a top plan view thereof; FIG. 8 is a bottom plan view thereof; FIG. 9 is a front, left and top perspective view of a second embodiment of a griddle accessory, showing my new design; FIG. 10 is a rear, right and bottom perspective view thereof; FIG. 11 is a front view thereof; FIG. 12 is a rear view thereof; FIG. 13 is a left side view thereof; FIG. 14 is a right side view thereof; FIG. 15 is a top plan view thereof; FIG. 16 is a bottom plan view thereof; FIG. 17 is a front, left and top perspective view of a third embodiment of a griddle accessory, showing my new design; FIG. 18 is a rear, right and bottom perspective view thereof; FIG. 19 is a front view thereof; FIG. 20 is a rear view thereof; FIG. 21 is a left side view thereof; FIG. 22 is a right side view thereof; FIG. 23 is a top plan view thereof; and, FIG. 24 is a bottom plan view thereof. The broken lines in the figures illustrate portions of the griddle accessory that form no part of the claimed design.

1 Claim, 24 Drawing Sheets



(56)

References Cited

U.S. PATENT DOCUMENTS

D457,393 S 5/2002 Lewis
D468,961 S * 1/2003 Becker D7/402
D479,799 S * 9/2003 Zamberg D8/403
D610,868 S * 3/2010 Andersson D7/402
D678,719 S 3/2013 Ortiz
D694,056 S * 11/2013 Dahle D7/334
D833,207 S * 11/2018 Zemel D7/363
D843,781 S * 3/2019 Jaggard D7/402
D860,728 S * 9/2019 Hubert A47J 37/0682
D7/409
D867,817 S * 11/2019 Wimmer A47J 37/0786
D7/407
D950,312 S * 5/2022 Shen A47J 37/067
D7/409
D966,805 S * 10/2022 Boden D7/402
D974,836 S * 1/2023 Mao D7/402
2009/0025705 A1 * 1/2009 Hatjopoulos A47J 37/0682
126/214 D
2019/0128538 A1 * 5/2019 Dahle A47J 37/067
2022/0386813 A1 * 12/2022 Graham A47J 37/0786

* cited by examiner

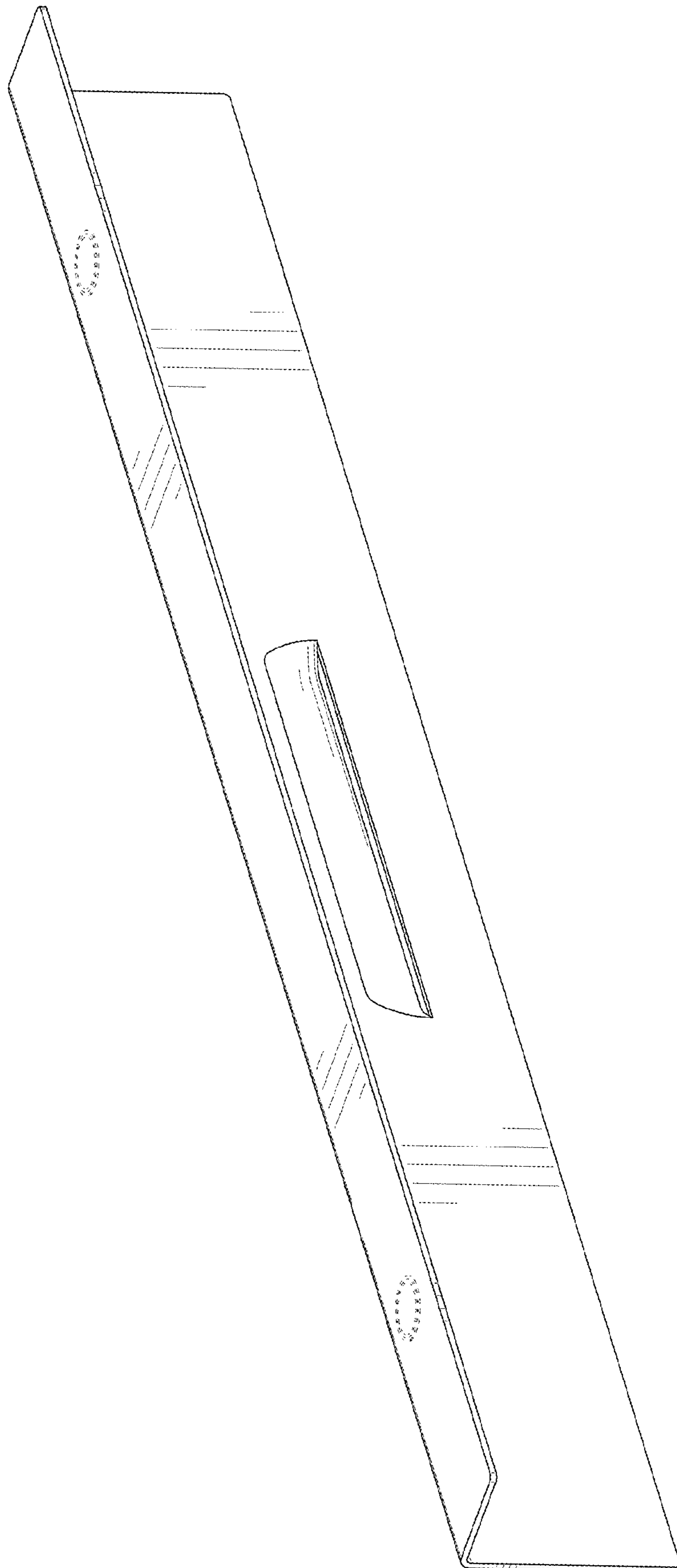


FIG. 1

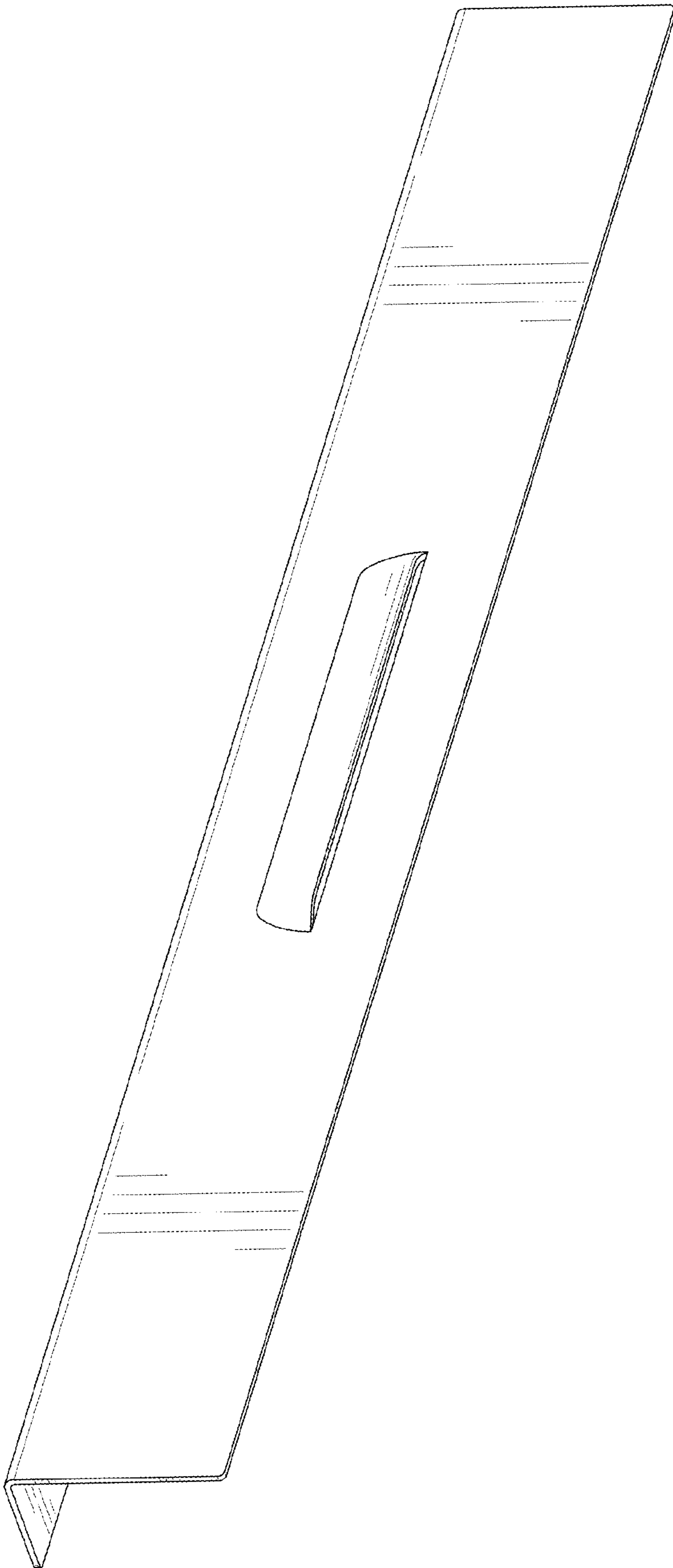


FIG. 2

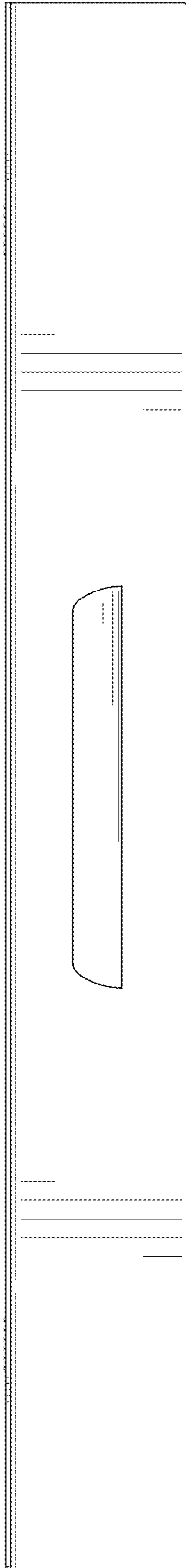


FIG. 3

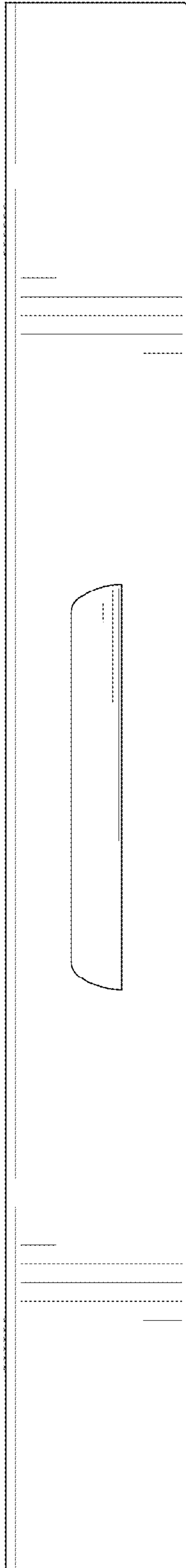


FIG. 4

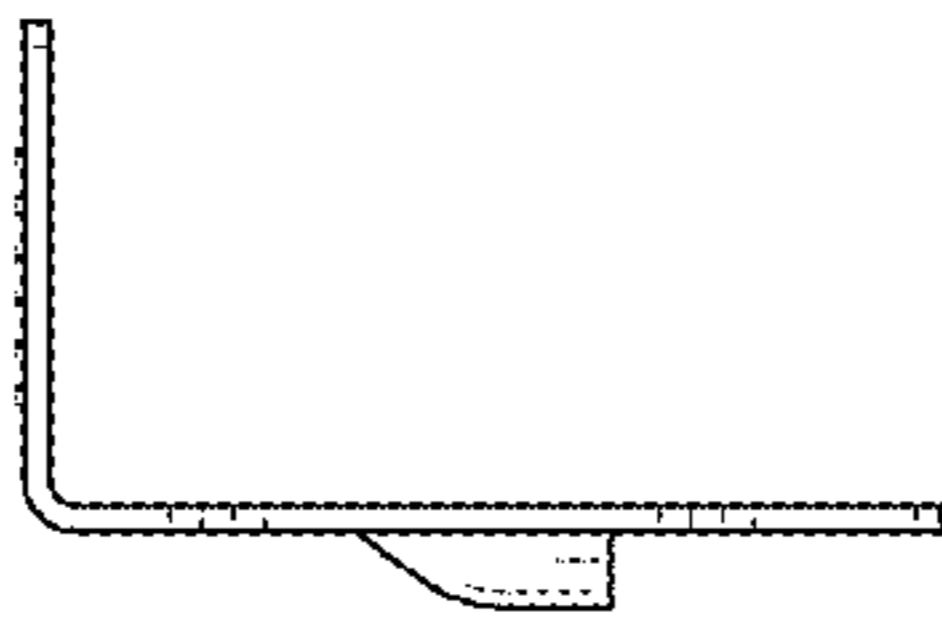


FIG. 5

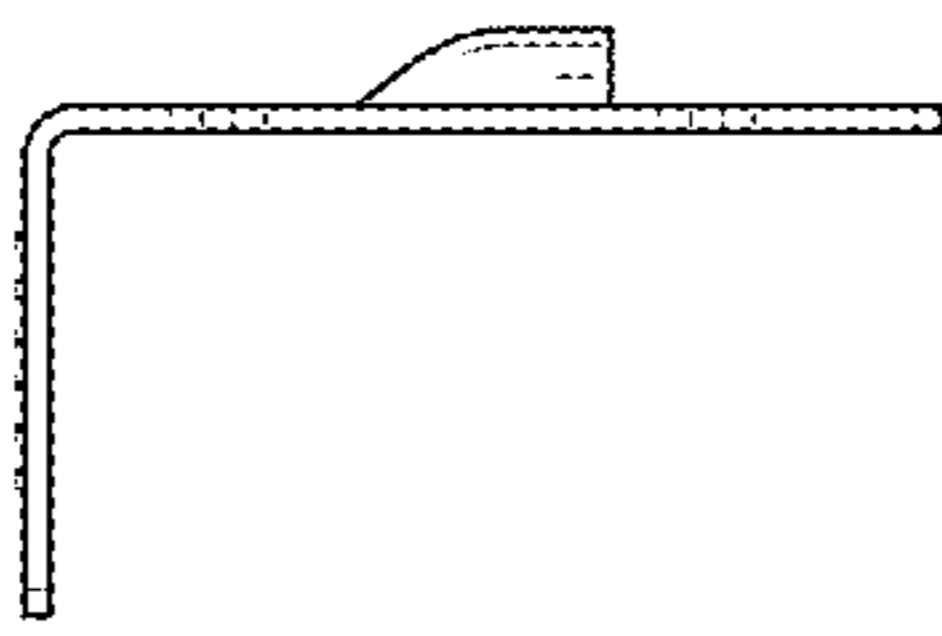


FIG. 6

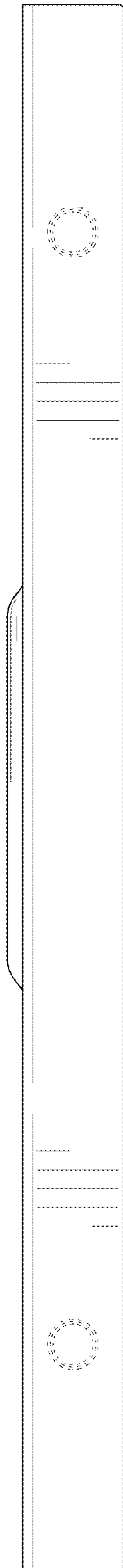


FIG. 7

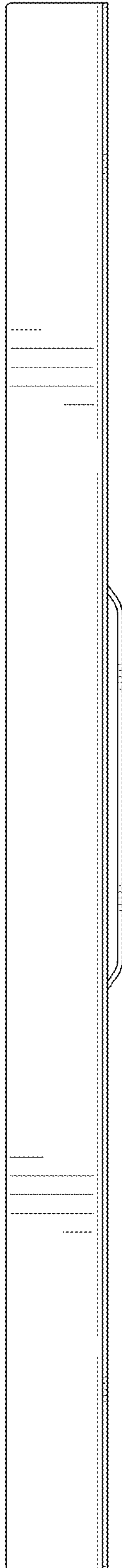


FIG. 8

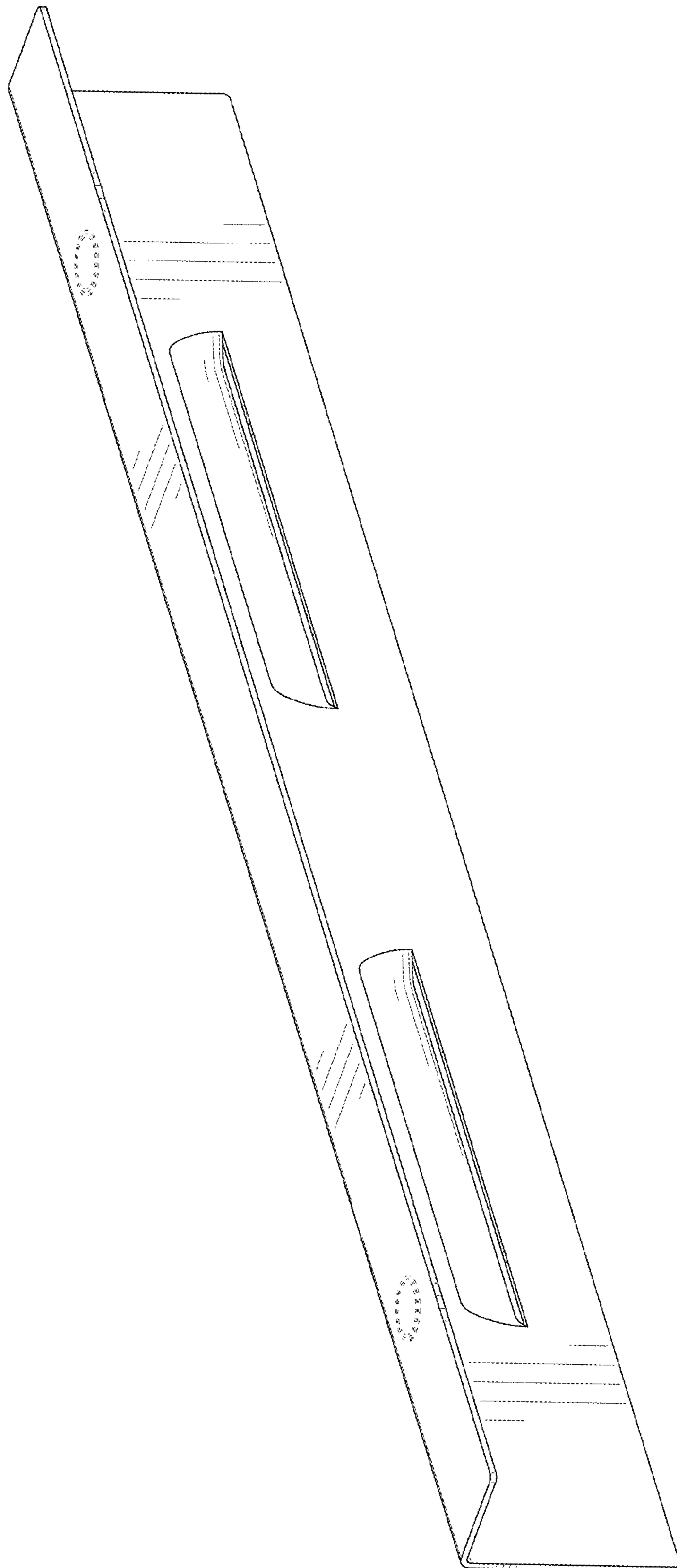


FIG. 9

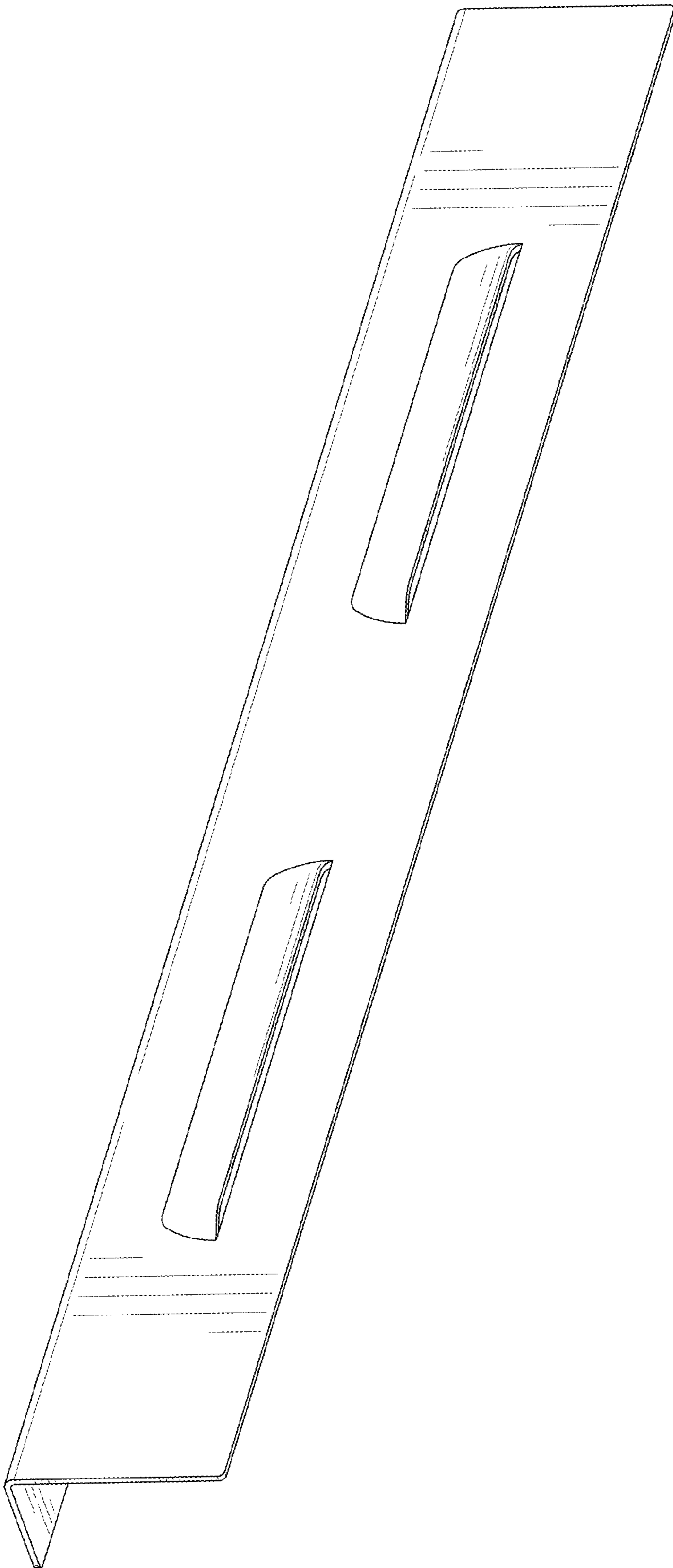


FIG. 10

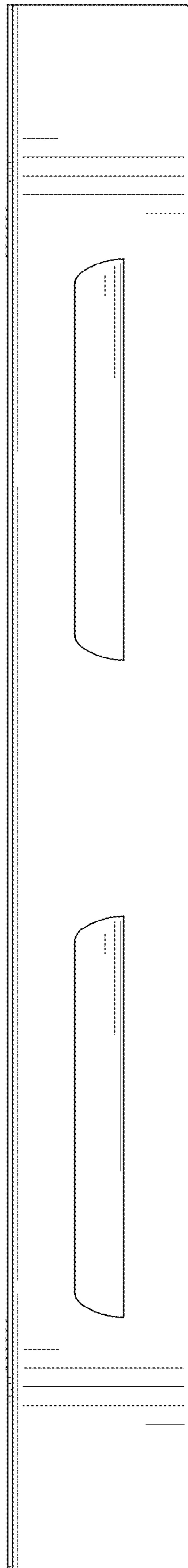


FIG. 11

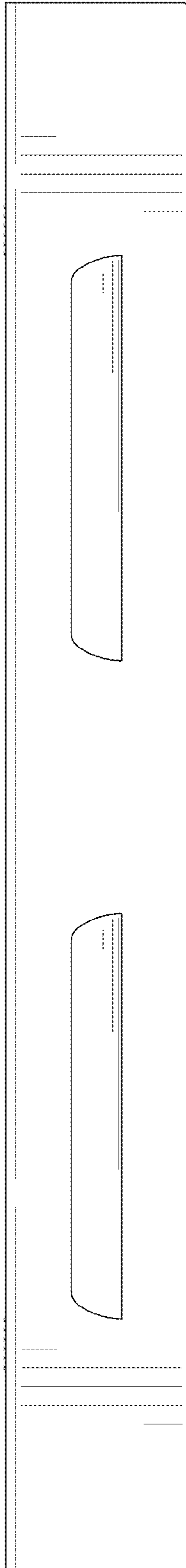


FIG. 12

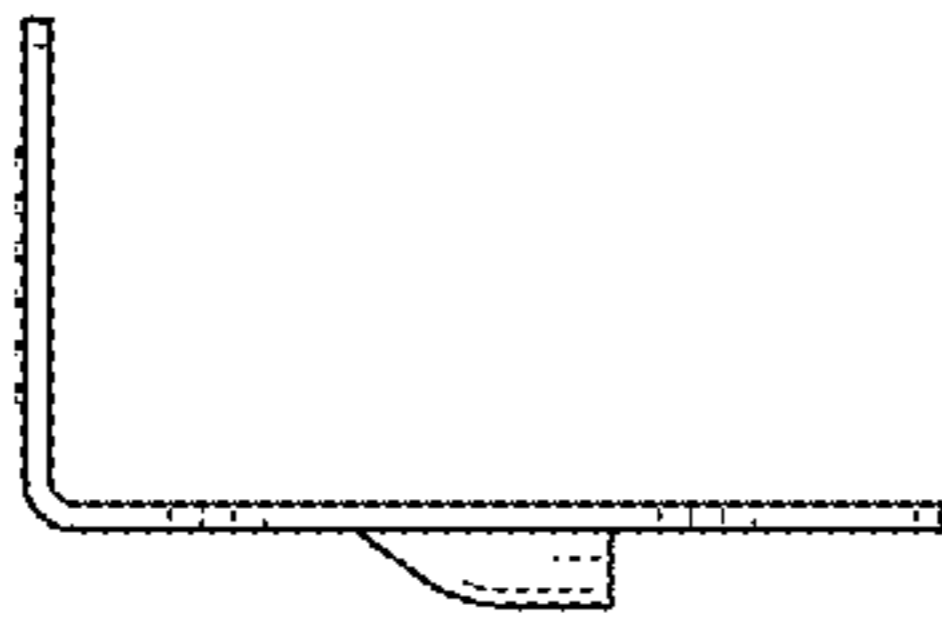


FIG. 13

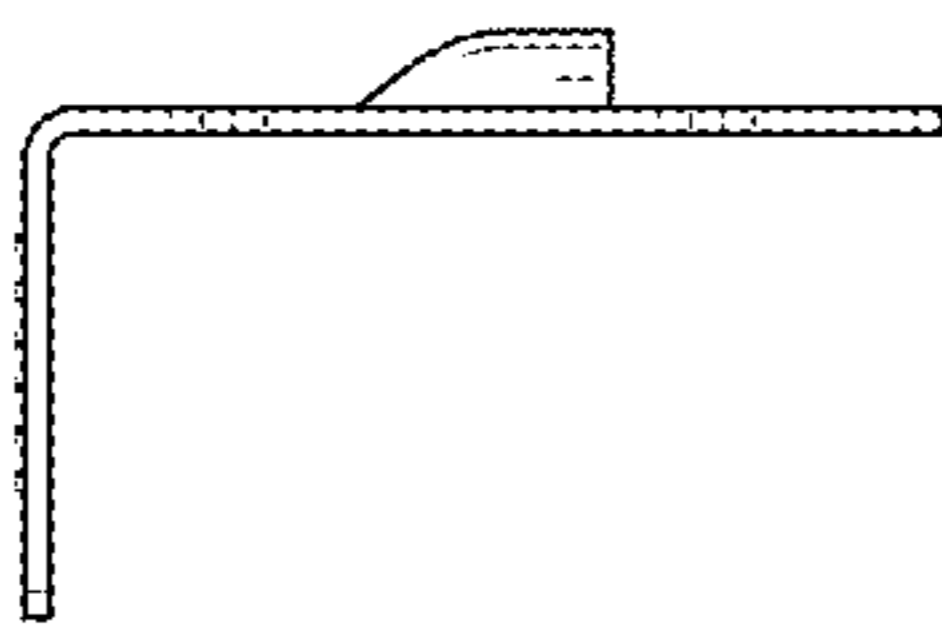


FIG. 14

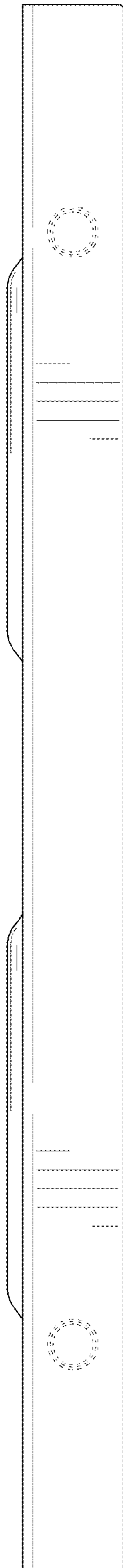


FIG. 15

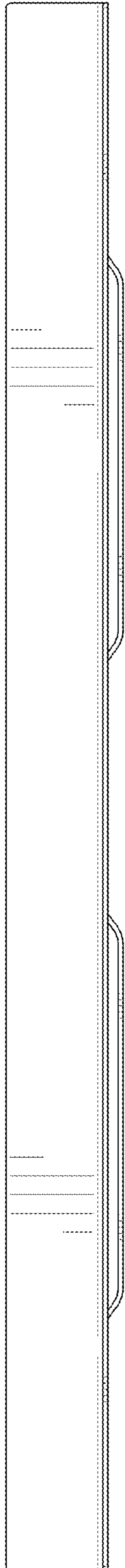


FIG. 16

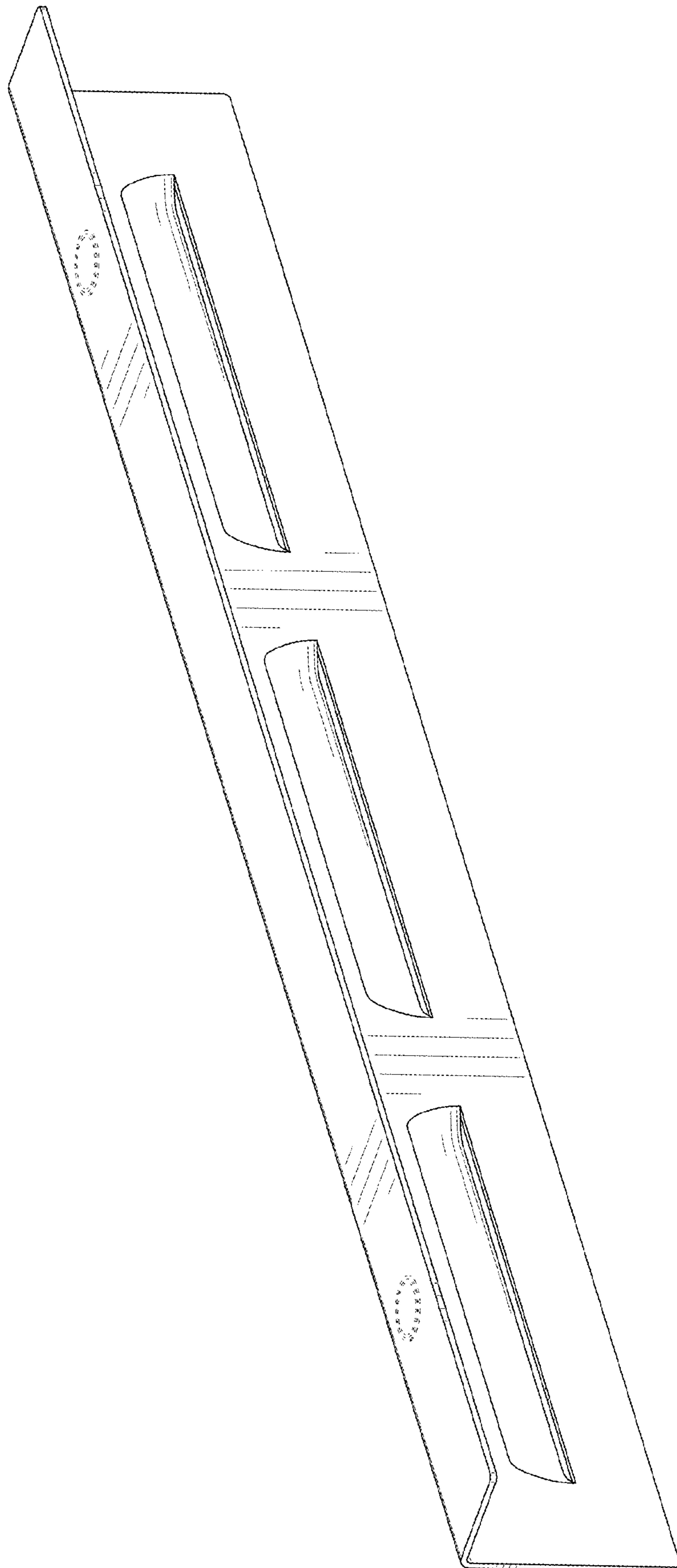


FIG. 17

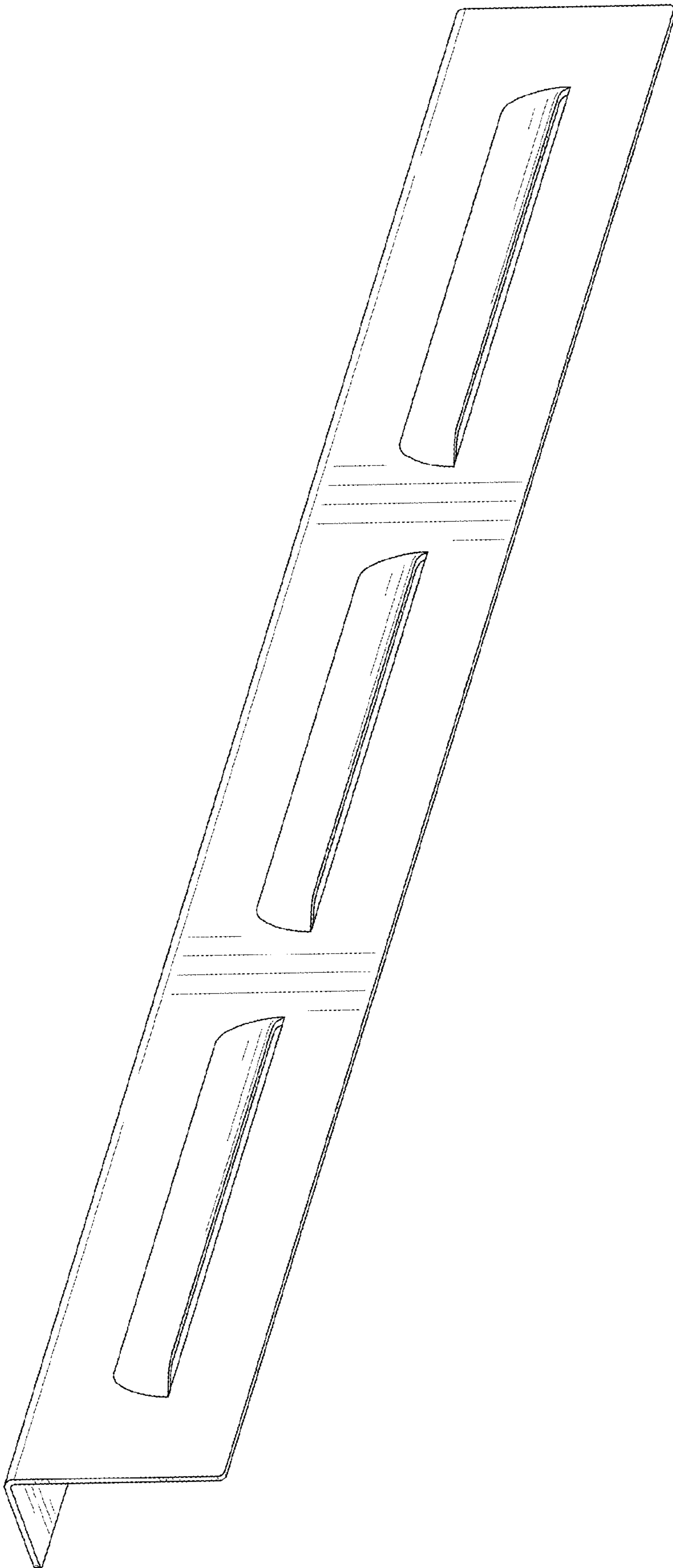


FIG. 18

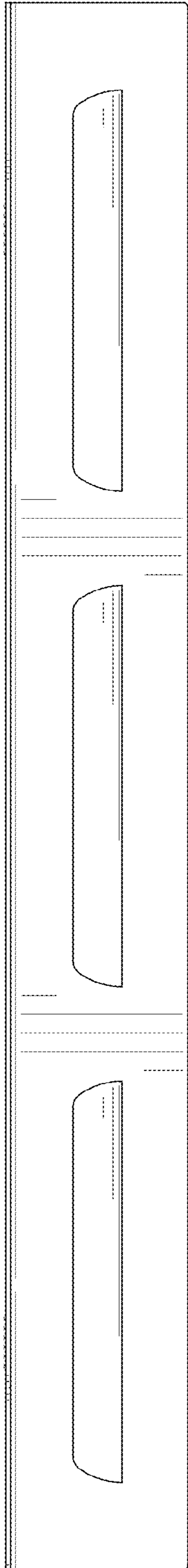


FIG. 19

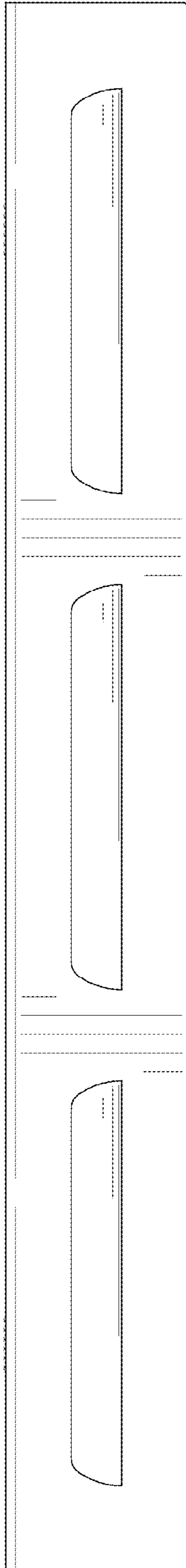


FIG. 20

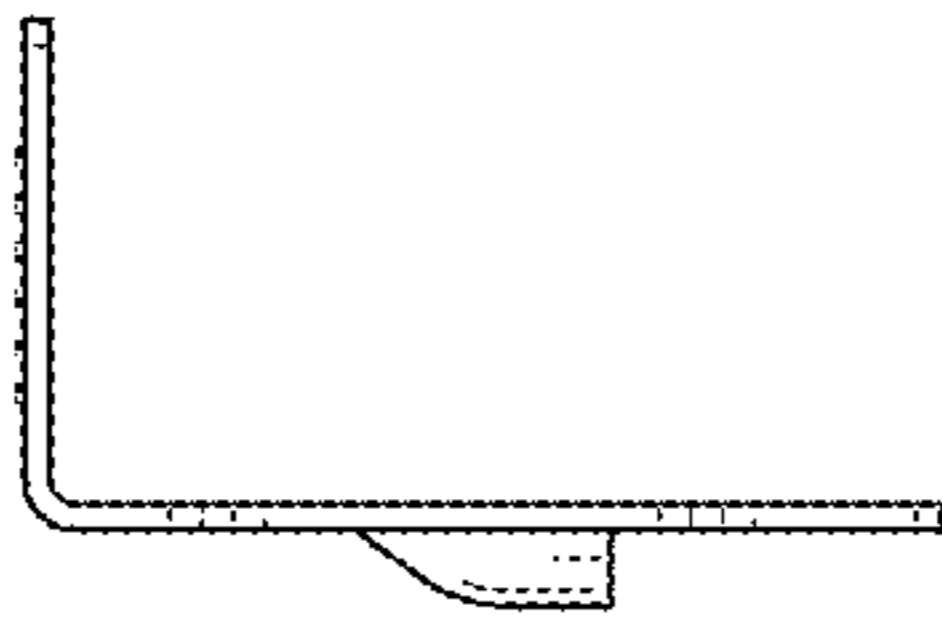


FIG. 21

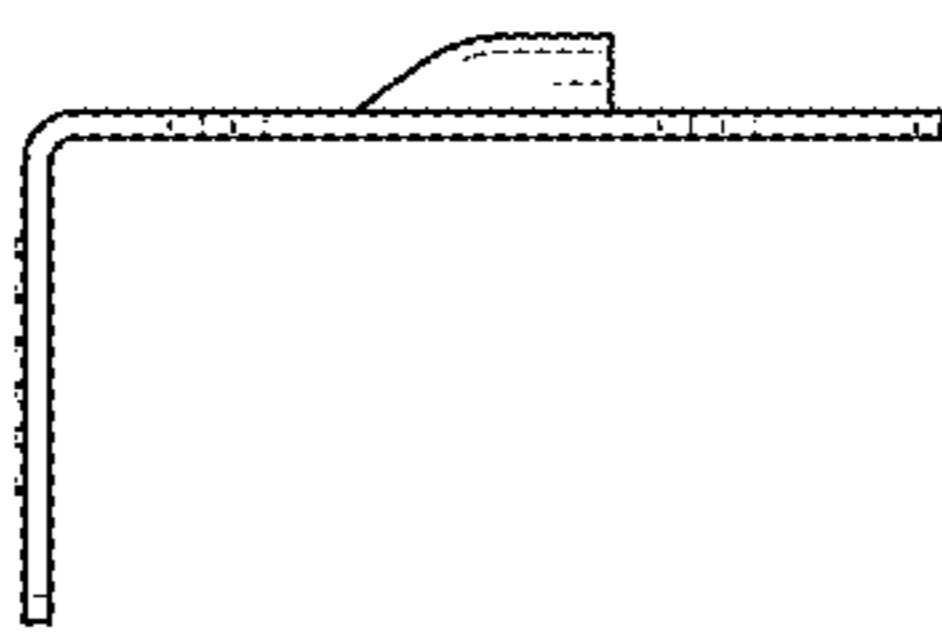


FIG. 22

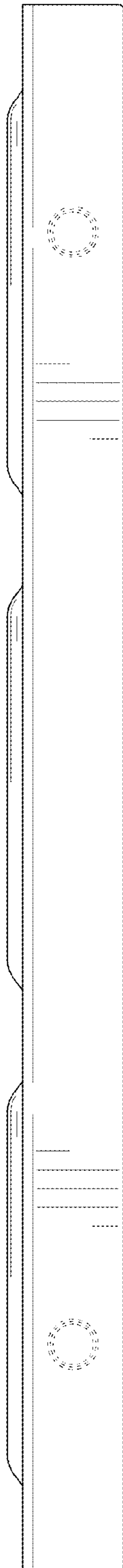


FIG. 23

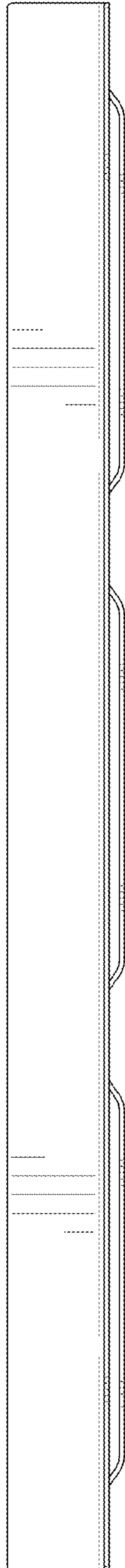


FIG. 24