



US00D988783S

(12) **United States Design Patent**  
**Qin**

(10) **Patent No.:** **US D988,783 S**  
(45) **Date of Patent:** **\*\* Jun. 13, 2023**

- (54) **COFFEE GRINDER**
- (71) Applicant: **Ningbo Geende Electric Co., Ltd.,**  
Zhejiang (CN)
- (72) Inventor: **Junhui Qin, Zhejiang (CN)**
- (73) Assignee: **Ningbo Geende Electric Co., Ltd.,**  
Ningbo (CN)
- (\*\*) Term: **15 Years**
- (21) Appl. No.: **29/868,613**
- (22) Filed: **Dec. 8, 2022**
- (51) **LOC (14) Cl.** ..... **31-00**
- (52) **U.S. Cl.**  
USPC ..... **D7/373**
- (58) **Field of Classification Search**  
USPC ..... D7/300, 306, 307, 308, 309, 312, 313,  
D7/318, 328, 330, 331, 372, 373, 374,  
D7/375, 376, 377, 378, 379, 380, 381,  
D7/382, 383, 384, 385, 386, 412, 413,  
D7/694, 679  
CPC ..... A47J 43/04; A47J 43/042; A47J 43/044;  
A47J 43/046; A47J 43/0722; A47J 42/00;  
A47J 42/06; A47J 42/16; A47J 42/32;  
A47J 42/40; A47J 42/52; A23N 1/00;  
A23N 1/02; B02C 1/08; B02C 2/04;  
B02C 4/42; B02C 4/423; B02C 13/1835  
See application file for complete search history.

(56) **References Cited**

**U.S. PATENT DOCUMENTS**

- D380,335 S \* 7/1997 Hui ..... D7/311
- D401,803 S \* 12/1998 Alferink ..... D7/307
- D503,064 S \* 3/2005 Since ..... D7/311
- D520,293 S \* 5/2006 Prat-Pfister ..... D7/311

- D521,305 S \* 5/2006 Hansen ..... D7/306
- D582,193 S \* 12/2008 Picozza ..... D7/311
- D625,135 S \* 10/2010 Warburton ..... D7/311
- D634,155 S 3/2011 Duncan
- D764,863 S \* 8/2016 Lee ..... D7/378
- D774,348 S \* 12/2016 Veeravagu ..... D7/311
- D853,174 S 7/2019 Zernhelt
- D975,482 S \* 1/2023 Erez ..... D7/300
- D979,312 S \* 2/2023 Shir ..... D7/307

**OTHER PUBLICATIONS**

Top Coffee Grinder Manufacturers in China 2021, announced Apr. 26, 2020 [online], retrieved Mar. 7, 2023, retrieved from internet, <https://www.beqsx.com/china-coffee-grinder-manufacturers/> (Year: 2020).\*

MiiCoffee DF64 Single Dose Coffee Grinder, announced Nov. 13, 2021 [online], retrieved Mar. 7, 2023, retrieved from internet, <https://miicoffee.shop/products/mii-df64-single-dosing-coffee-grinder> (Year: 2021).\*

(Continued)

*Primary Examiner* — Messina L Smith

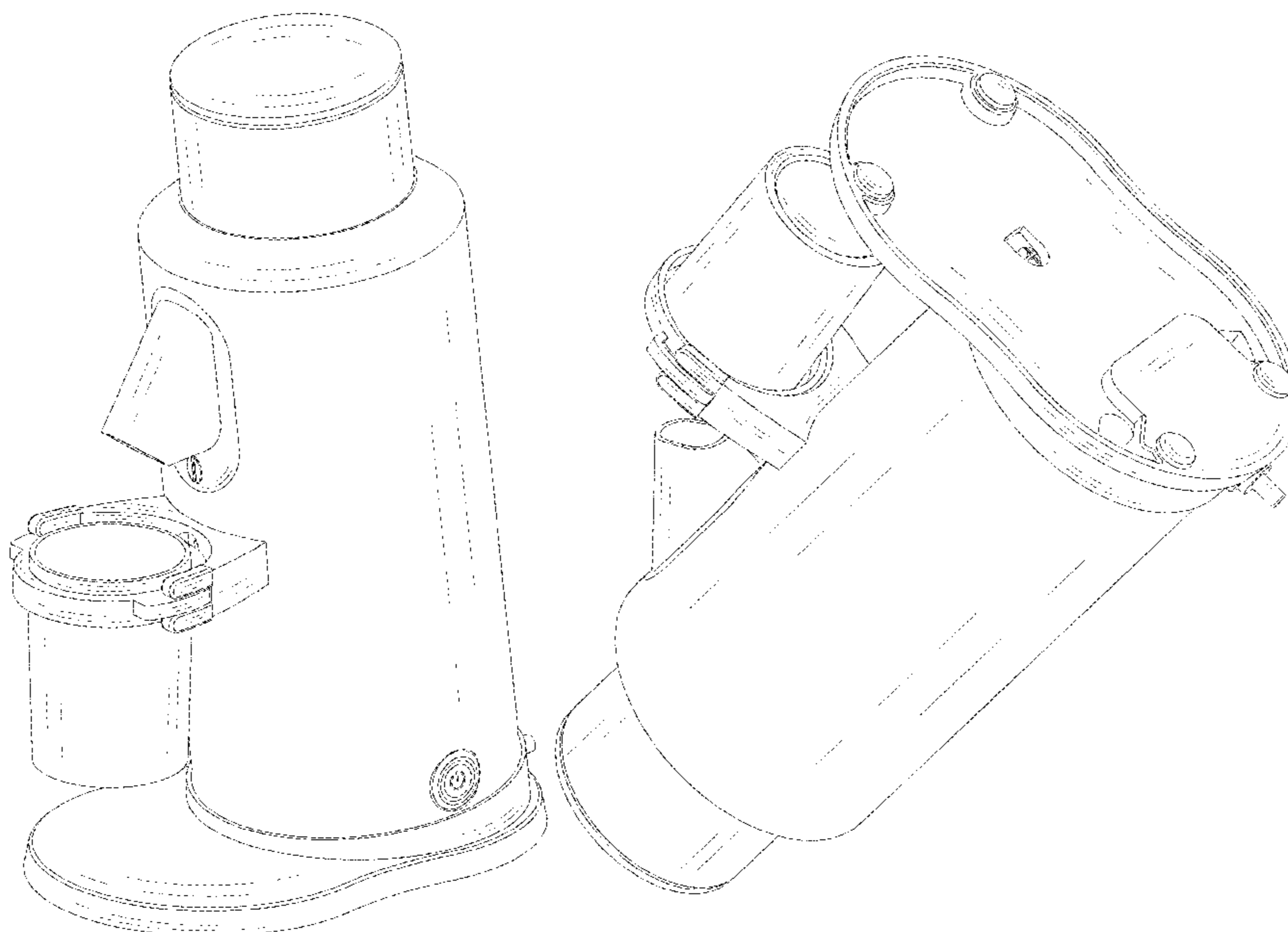
(57) **CLAIM**

The ornamental design for a coffee grinder, as shown and described.

**DESCRIPTION**

FIG. 1 is a top, front, right side perspective view of a coffee grinder, showing my new design;  
 FIG. 2 is a bottom, left side perspective view thereof;  
 FIG. 3 is a front elevational view thereof;  
 FIG. 4 is a back devotional view thereof;  
 FIG. 5 is a left side elevational view thereof;  
 FIG. 6 is a right side elevational view thereof;  
 FIG. 7 is a top plan view thereof; and,  
 FIG. 8 is a bottom plan view thereof.

**1 Claim, 8 Drawing Sheets**



(56)

**References Cited**

OTHER PUBLICATIONS

Turin DF64 v4 Single Dose Coffee Grinder, announced Oct. 31, 2021 [online], retrieved Mar. 7, 2023, retrieved from internet, [https://www.espressooutlet.net/turin-df64-single-dose-coffee-grinder/?gclid=CjwKCAiAu5agBhBzEiwAdiR5tDFzBUAHq\\_X2SYm0MGPrABBXSzj39BPbTsgkHRUzRrSSyCfbUCkICBoCm24QAvD\\_BwE](https://www.espressooutlet.net/turin-df64-single-dose-coffee-grinder/?gclid=CjwKCAiAu5agBhBzEiwAdiR5tDFzBUAHq_X2SYm0MGPrABBXSzj39BPbTsgkHRUzRrSSyCfbUCkICBoCm24QAvD_BwE) (Year: 2021).\*

MiiCoffee DF64 Single Dosing Coffee Grinder, announced Sep. 30, 2021 [online], retrieved Mar. 7, 2023, retrieved from internet, <https://www.amazon.com/DF64-Single-Dosing-Coffee-Grinder/dp/B09HB8P99M> (Year: 2021).\*

Turin DF64P Single Dose Grinder, announced Nov. 20, 2022 [online], retrieved Mar. 7, 2023, retrieved from internet, [https://www.amazon.com/dp/B0BMZ7QYLT/ref=sbl\\_dp\\_kitchen-coffee-grinders\\_B09HB8P99M\\_0](https://www.amazon.com/dp/B0BMZ7QYLT/ref=sbl_dp_kitchen-coffee-grinders_B09HB8P99M_0) (Year: 2022).\*

Popular Household Coffee grinder, announced Jun. 11, 2021 [online], retrieved Mar. 7, 2023, retrieved from internet, [https://www.amazon.com/dp/B097TJCPP3/ref=sbl\\_dp\\_kitchen-coffee-grinders\\_B0BBBKRFBL\\_0?th=1](https://www.amazon.com/dp/B097TJCPP3/ref=sbl_dp_kitchen-coffee-grinders_B0BBBKRFBL_0?th=1) (Year: 2021).\*

\* cited by examiner

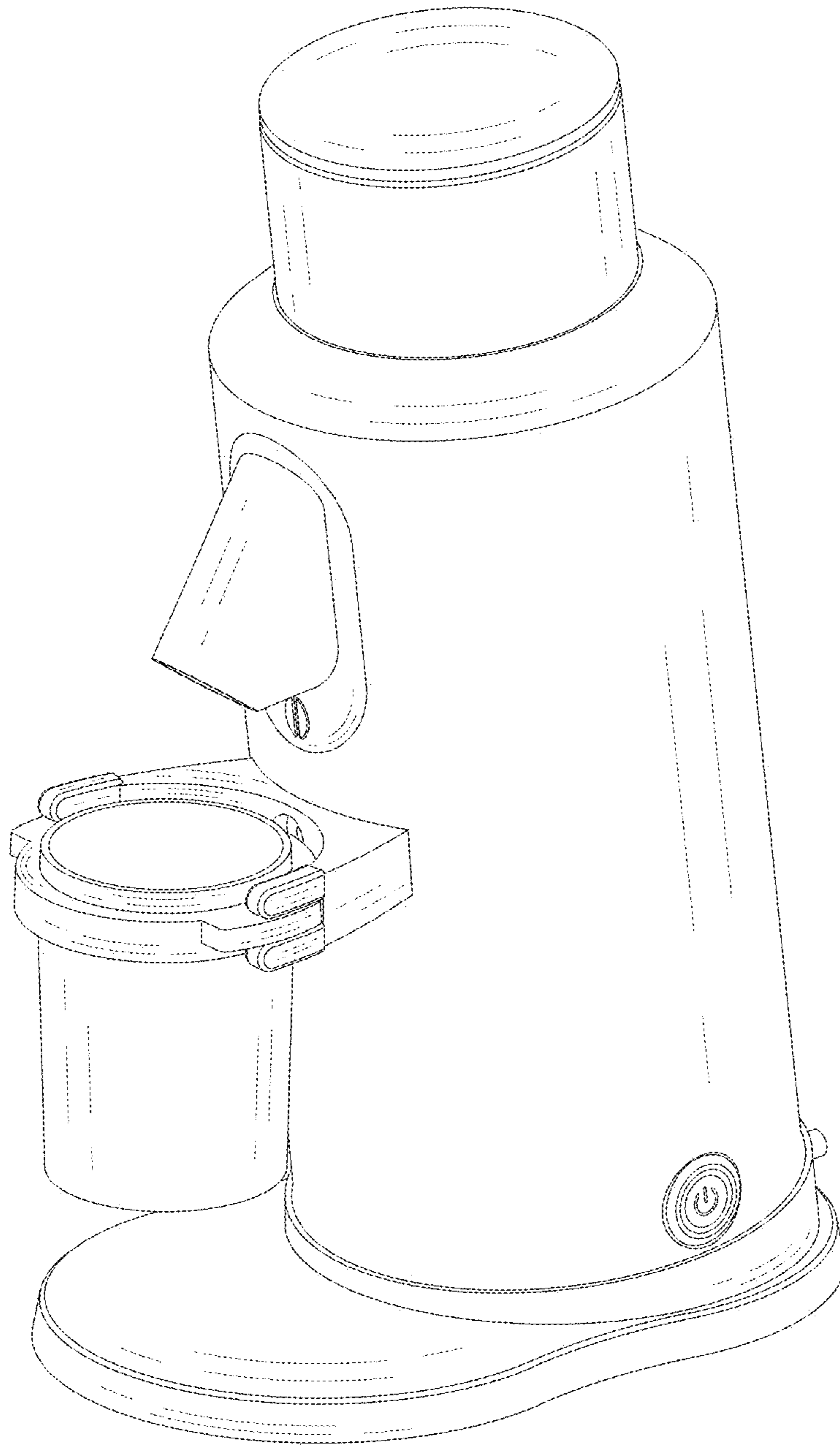


FIG. 1

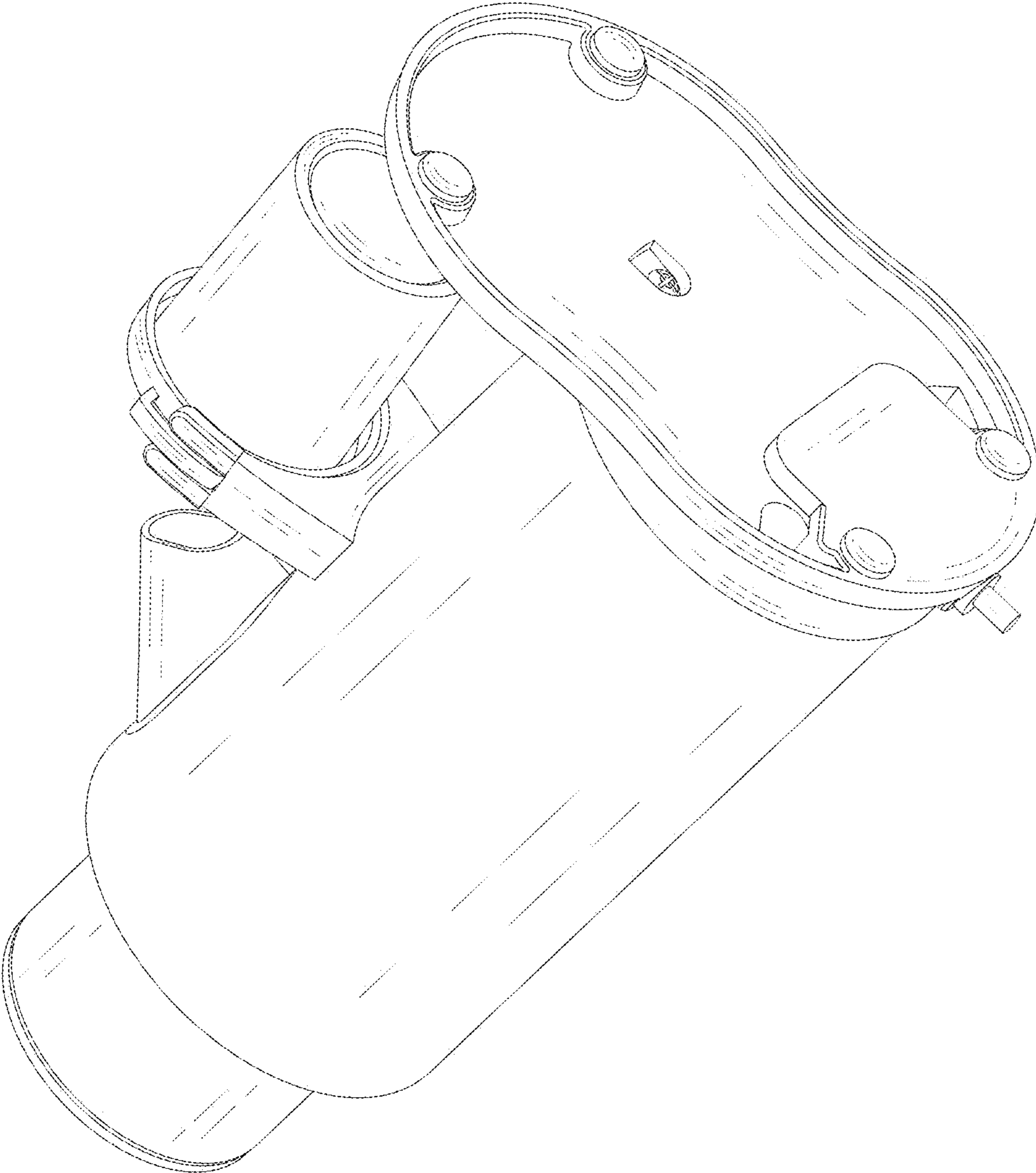


FIG. 2

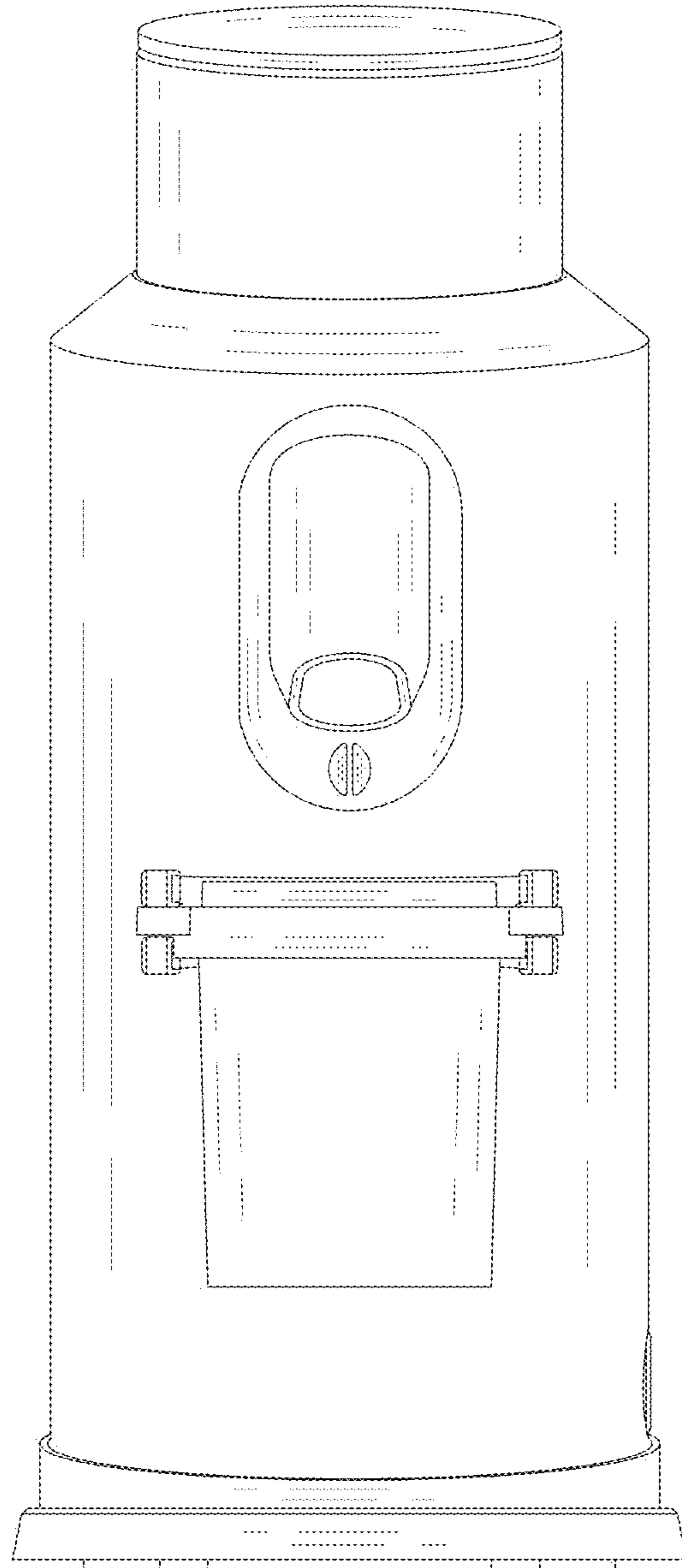


FIG. 3

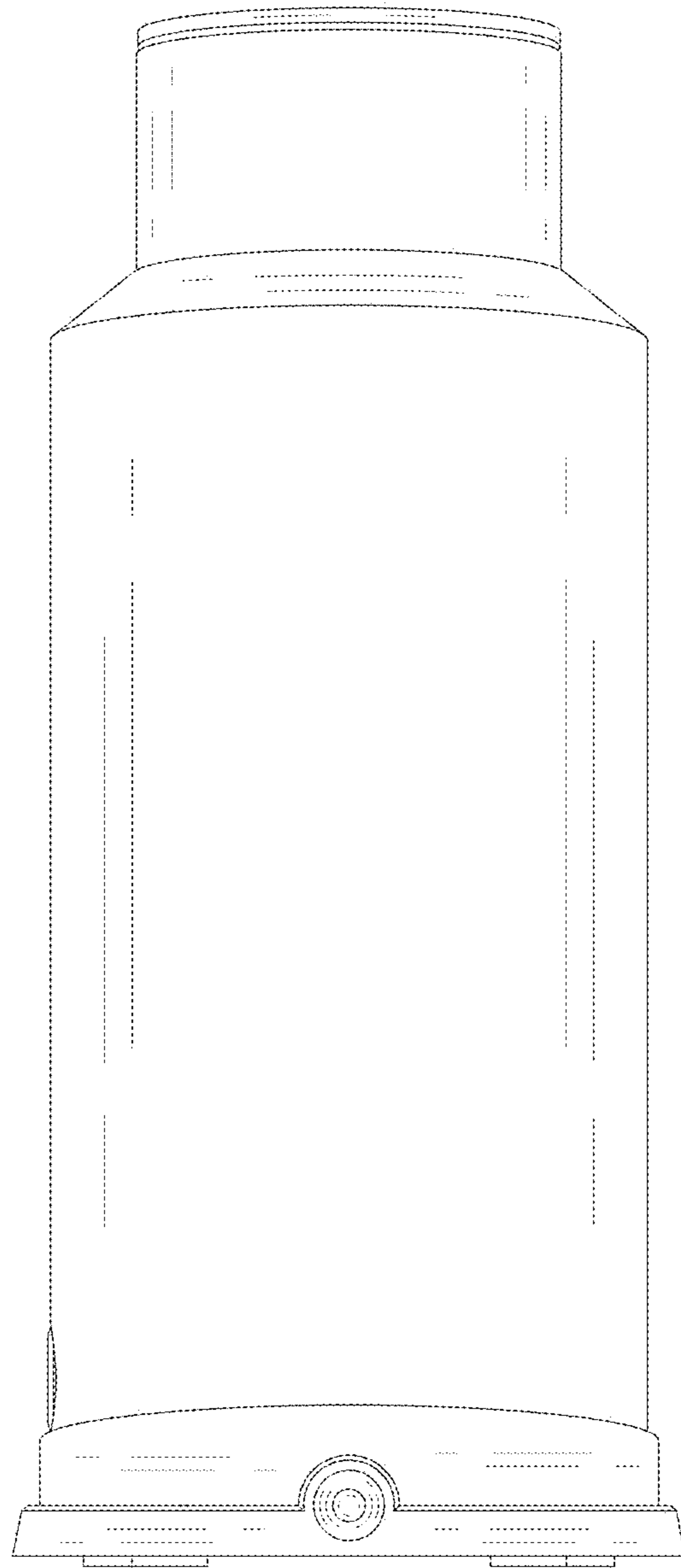


FIG. 4

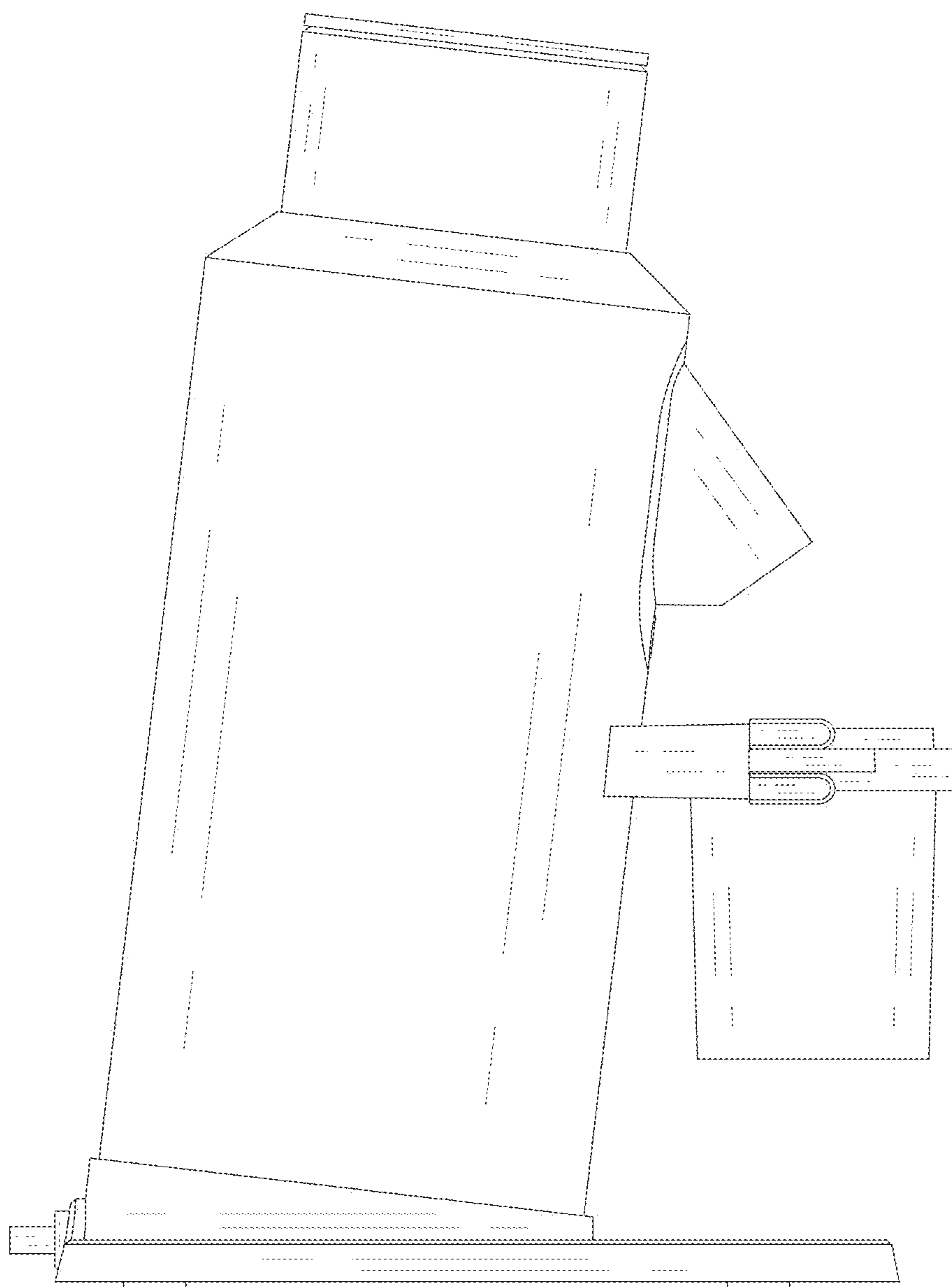


FIG. 5

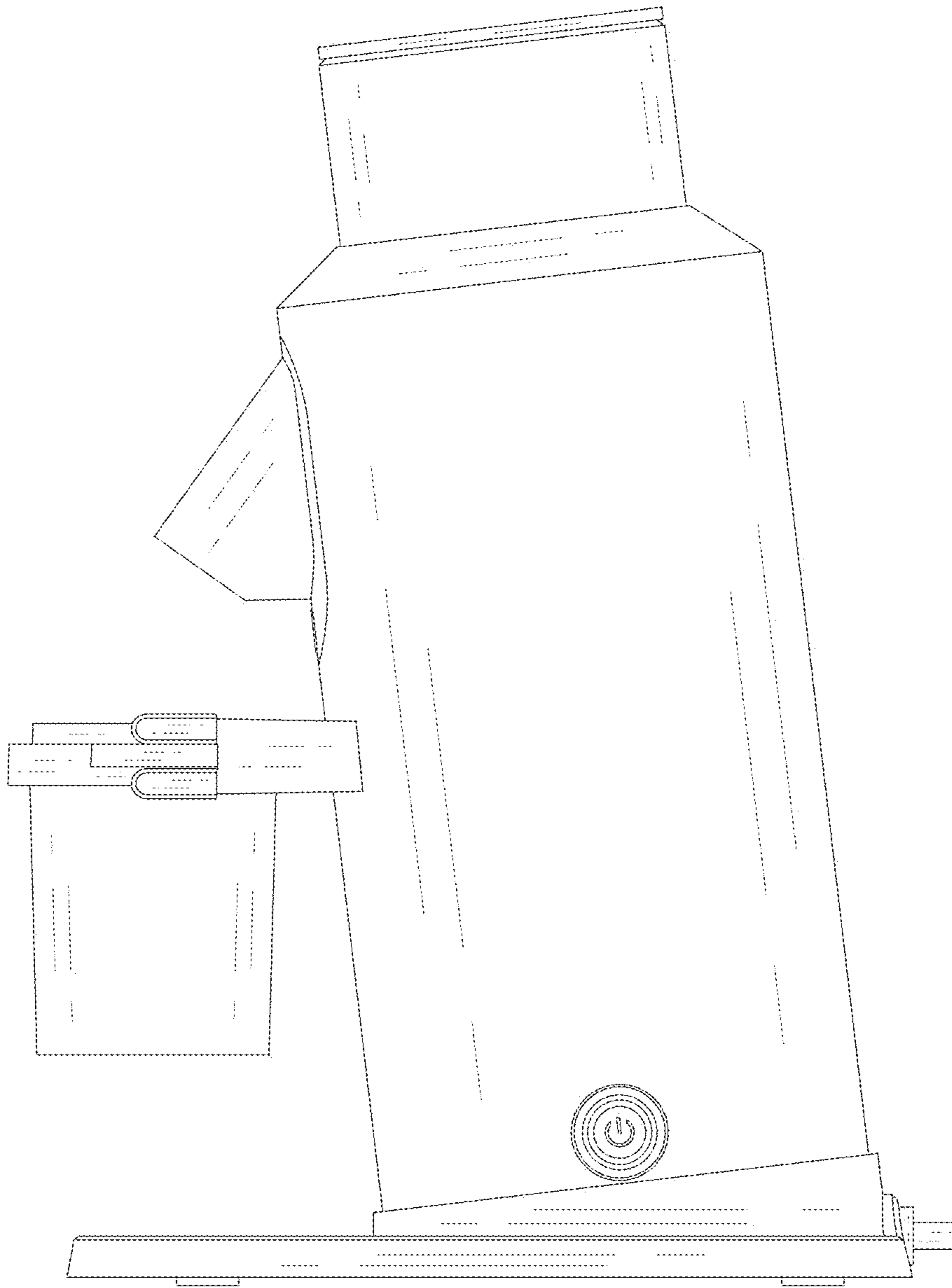


FIG. 6



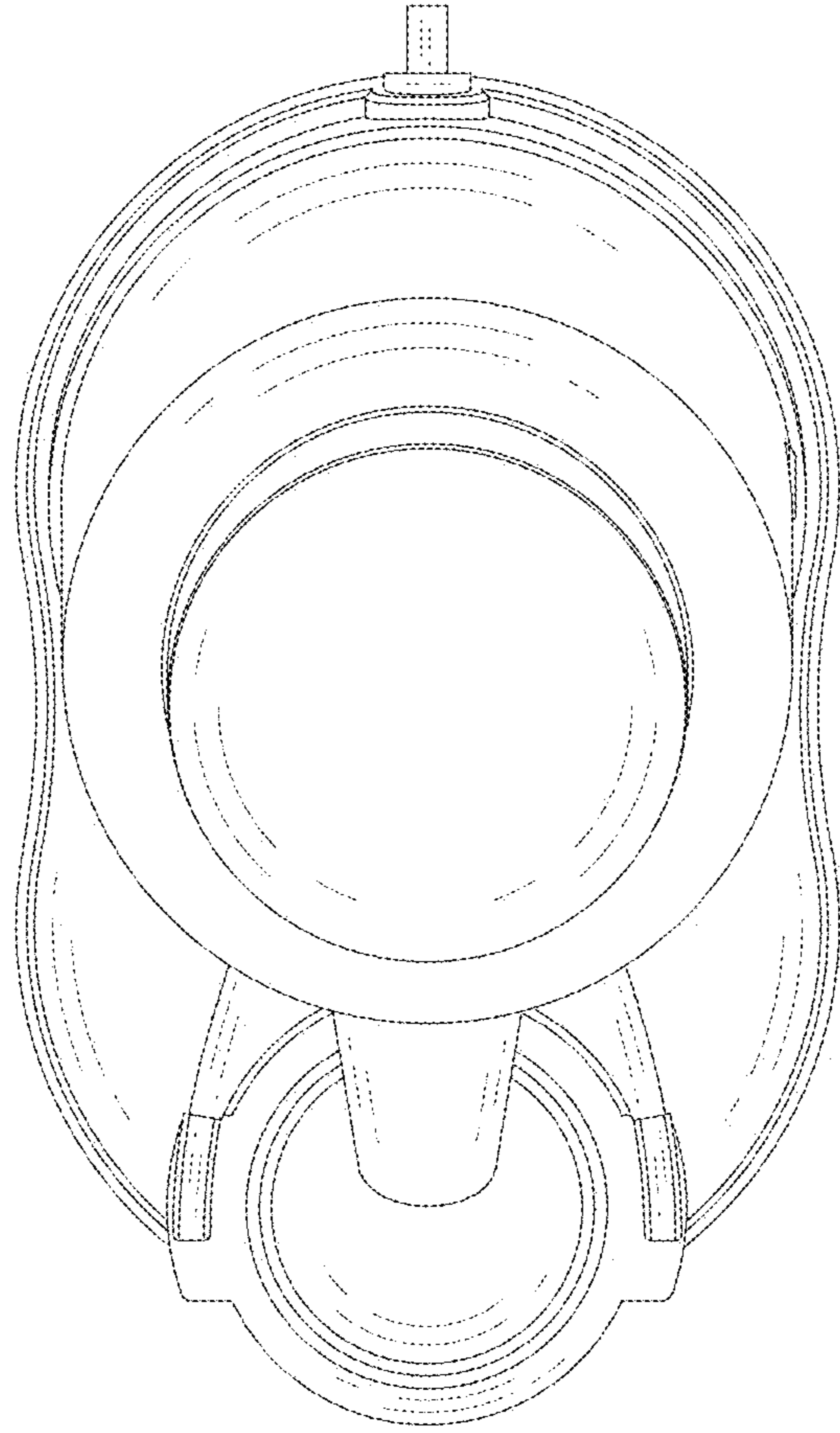


FIG. 7

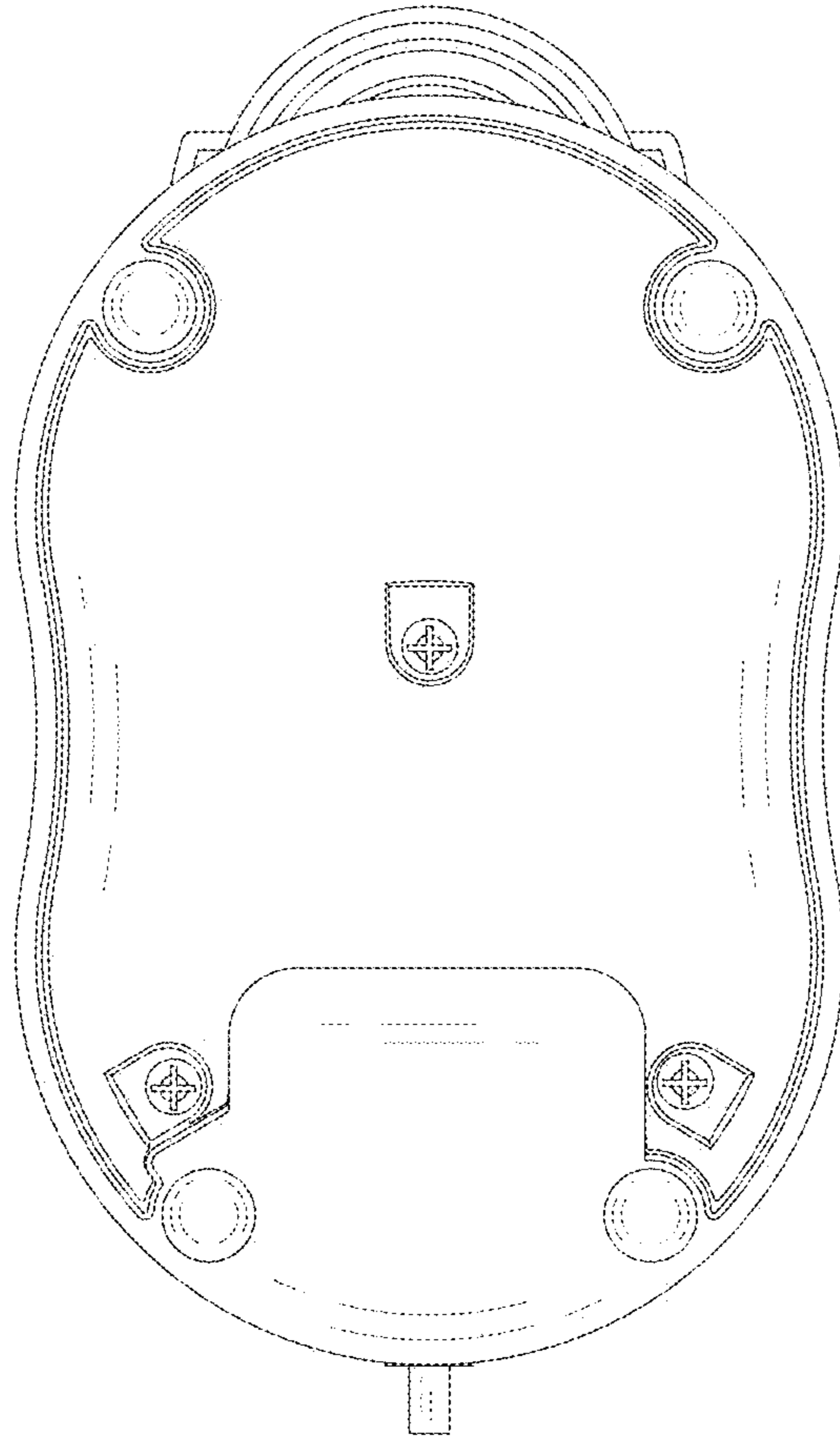


FIG. 8