



US00D988782S

(12) **United States Design Patent**
Lindner et al.

(10) **Patent No.:** **US D988,782 S**
(45) **Date of Patent:** **** Jun. 13, 2023**

(54) **HERB GRINDING DEVICE**

(71) Applicant: **WISEGRIND LLC**, Santa Monica, CA (US)

(72) Inventors: **Chad Edward Lindner**, Santa Monica, CA (US); **Daniel Frederic Lindner**, Cleveland, OH (US); **Ian Ellington Watts**, Los Angeles, CA (US)

(73) Assignee: **Wisegrind LLC**, Santa Monica, CA (US)

(**) Term: **15 Years**

(21) Appl. No.: **29/797,902**

(22) Filed: **Jul. 2, 2021**

(51) **LOC (14) Cl.** **31-00**

(52) **U.S. Cl.**
USPC **D7/372; D27/195**

(58) **Field of Classification Search**
USPC **D30/158; D27/195; D7/372-373; D28/76, 85, 88, 91**

(Continued)

(56) **References Cited**

U.S. PATENT DOCUMENTS

D424,749 S * 5/2000 Zalzal D28/76
D613,553 S * 4/2010 Wilson D7/401.1
(Continued)

OTHER PUBLICATIONS

Santa Cruz Shredder Herb Grinder 3 Piece Medium 2 1/8" Superior Grip and Aluminium (Green) first available Jul. 7, 2015. Retrieved online from <https://www.amazon.com/Santa-Cruz-Shredder-Grinder-Crusher/dp/B00VQJLFGC?th=1> on Dec. 29, 2022.*

(Continued)

Primary Examiner — Shannon W Morgan
Assistant Examiner — Terilyn Nicole Davis

(74) *Attorney, Agent, or Firm* — Knobbe Martens Olson and Bear, LLP

(57) **CLAIM**

The ornamental design for a herb grinding device, as shown and described.

DESCRIPTION

FIG. 1 is a top and front perspective view of an embodiment of an herb grinding device.

FIG. 2 is a bottom and back perspective view of the herb grinding device of FIG. 1.

FIG. 3 is a front view of the embodiment of the herb grinding device of FIG. 1.

FIG. 4 is a left side view of the embodiment of the herb grinding device of FIG. 1.

FIG. 5 is a right side view of the embodiment of the herb grinding device of FIG. 1.

FIG. 6 is a top view of the embodiment of the herb grinding device of FIG. 1.

FIG. 7 is a bottom view of the embodiment of the herb grinding device of FIG. 1.

FIG. 8 is a top and front perspective view of another embodiment of an herb grinding device.

FIG. 9 is a bottom and back perspective view of the herb grinding device of FIG. 8.

FIG. 10 is a front view of the embodiment of the herb grinding device of FIG. 8.

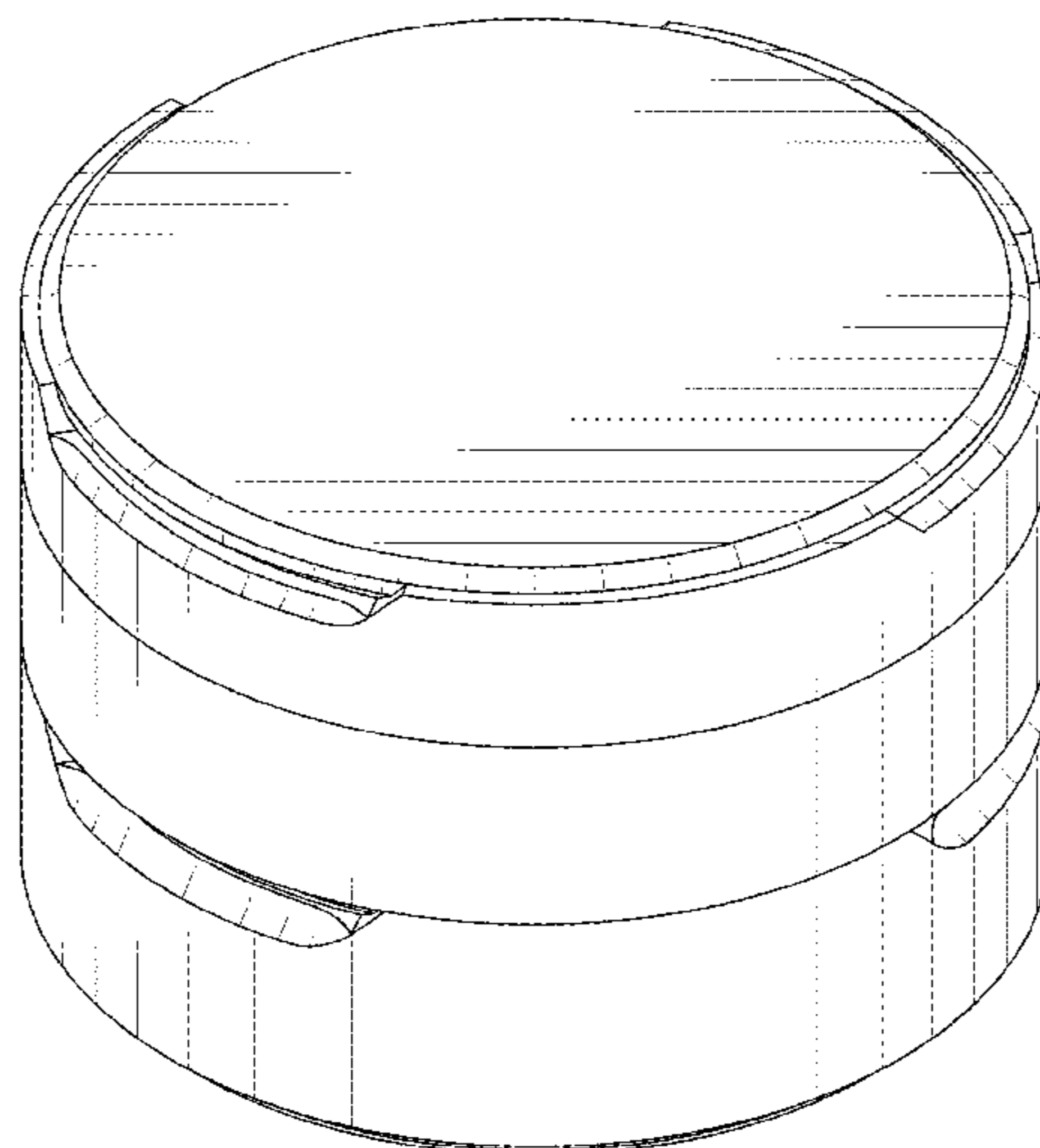
FIG. 11 is a side view of the embodiment of the herb grinding device of FIG. 8.

FIG. 12 is a top view of the embodiment of the herb grinding device of FIG. 8; and,

FIG. 13 is a bottom view of the embodiment of the herb grinding device of FIG. 8.

The broken lines in the drawings are for illustrative purposes only and form no part of the claimed design. However, in embodiments other than those illustrated, lines that are currently illustrated as broken may be redrawn as solid lines, and lines that are currently illustrated as solid may be redrawn as broken lines. The scope of the present disclosure encompasses all lines illustrated, whether broken or solid.

1 Claim, 11 Drawing Sheets



(58) **Field of Classification Search**
 CPC A24F 5/00; A24F 1/30; A24F 1/00; A24F
 5/10; A24B 7/04
 See application file for complete search history.

(56) **References Cited**

U.S. PATENT DOCUMENTS

D765,512	S *	9/2016	Joulia	D28/7
9,681,777	B1 *	6/2017	Dukat	B02C 18/18
9,873,125	B1 *	1/2018	LaGuardia, Jr.	A24F 13/00
10,015,985	B1 *	7/2018	Blakely, III	A24F 5/00
D842,537	S *	3/2019	Booth	D27/194
D880,236	S *	4/2020	Carlson	D7/381
2008/0191073	A1 *	8/2008	Bao	B02C 18/24 241/101.2
2009/0057451	A1 *	3/2009	Tang	A47J 42/46 241/146
2014/0217213	A1 *	8/2014	Edwards	A47J 42/38 241/91

2015/0298136	A1 *	10/2015	Dukat	A47J 42/24 241/24.1
2016/0270597	A1 *	9/2016	Walczak	B02C 18/08
2018/0103805	A1 *	4/2018	Huang	B02C 19/08
2018/0199759	A1 *	7/2018	Qiu	A47J 42/20
2020/0390285	A1 *	12/2020	Galaviz	A47J 42/24
2022/0161270	A1 *	5/2022	Huang	A47J 42/36
2022/0183342	A1 *	6/2022	He	A24B 7/06

OTHER PUBLICATIONS

Hasbud Grinder 2.5 Inch Large Size Grinder, Black first available Oct. 17, 2022. Retrieved online from: https://www.amazon.com/dp/B0BJDN7N4M/ref=sspa_dk_detail_4 on Dec. 29, 2022.*

Herb Grinder first available Jul. 18, 2022, retrieved online from: <https://www.amazon.ca/CyanCloud-CYA-01-Herb-Grinder/dp/B0B6TPP44P> on Dec. 29, 2022.*

* cited by examiner

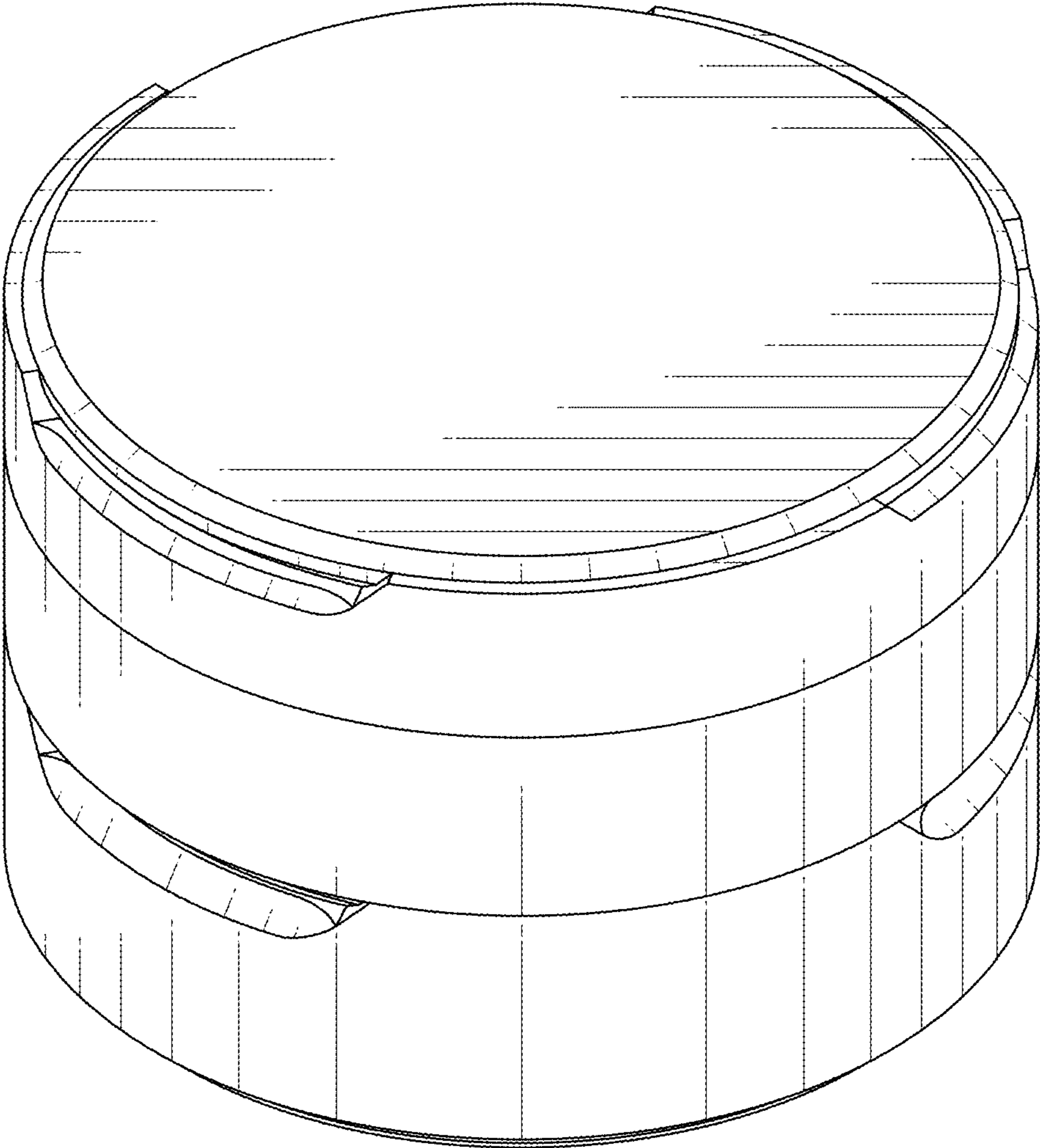


FIG. 1

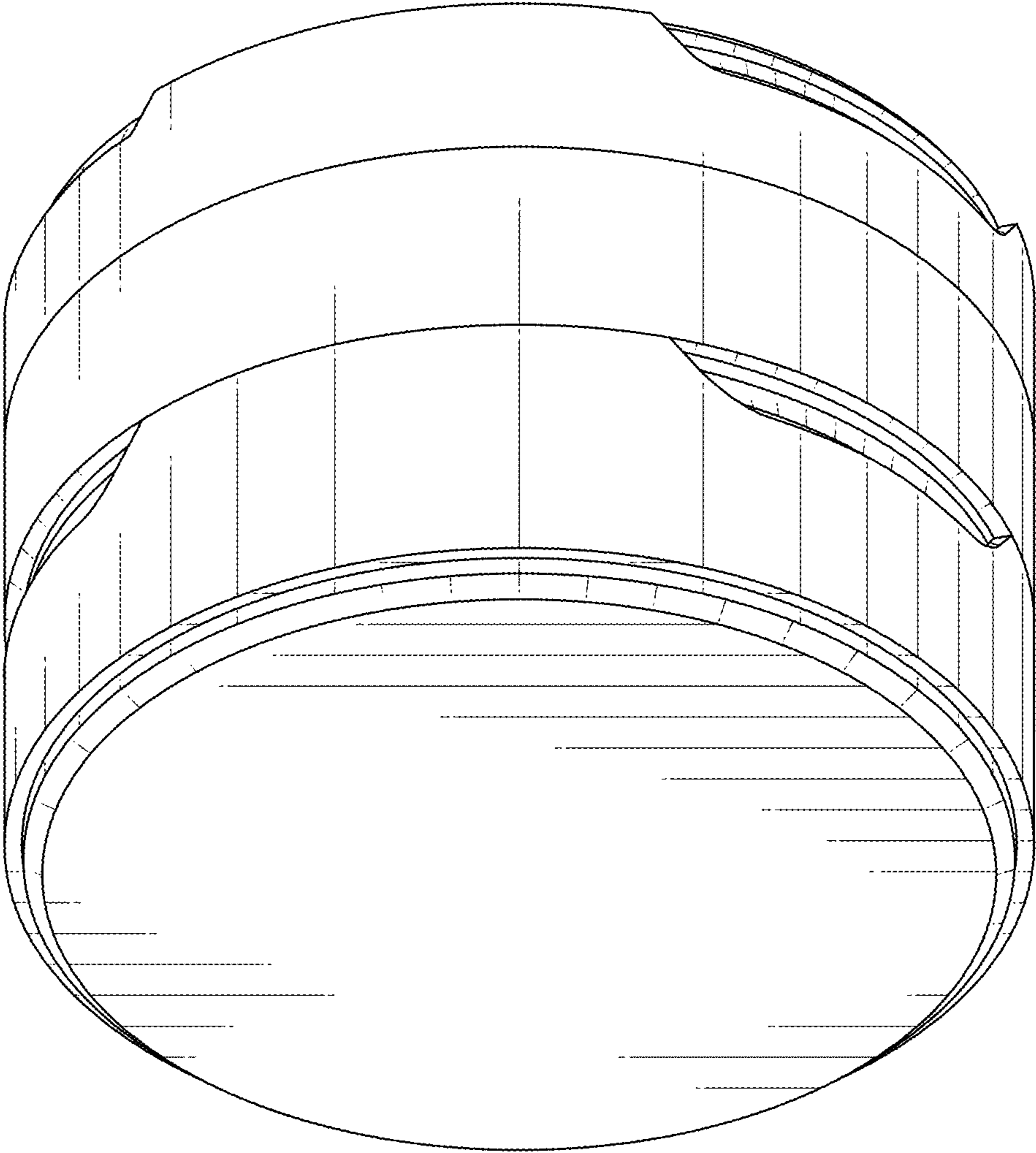


FIG. 2

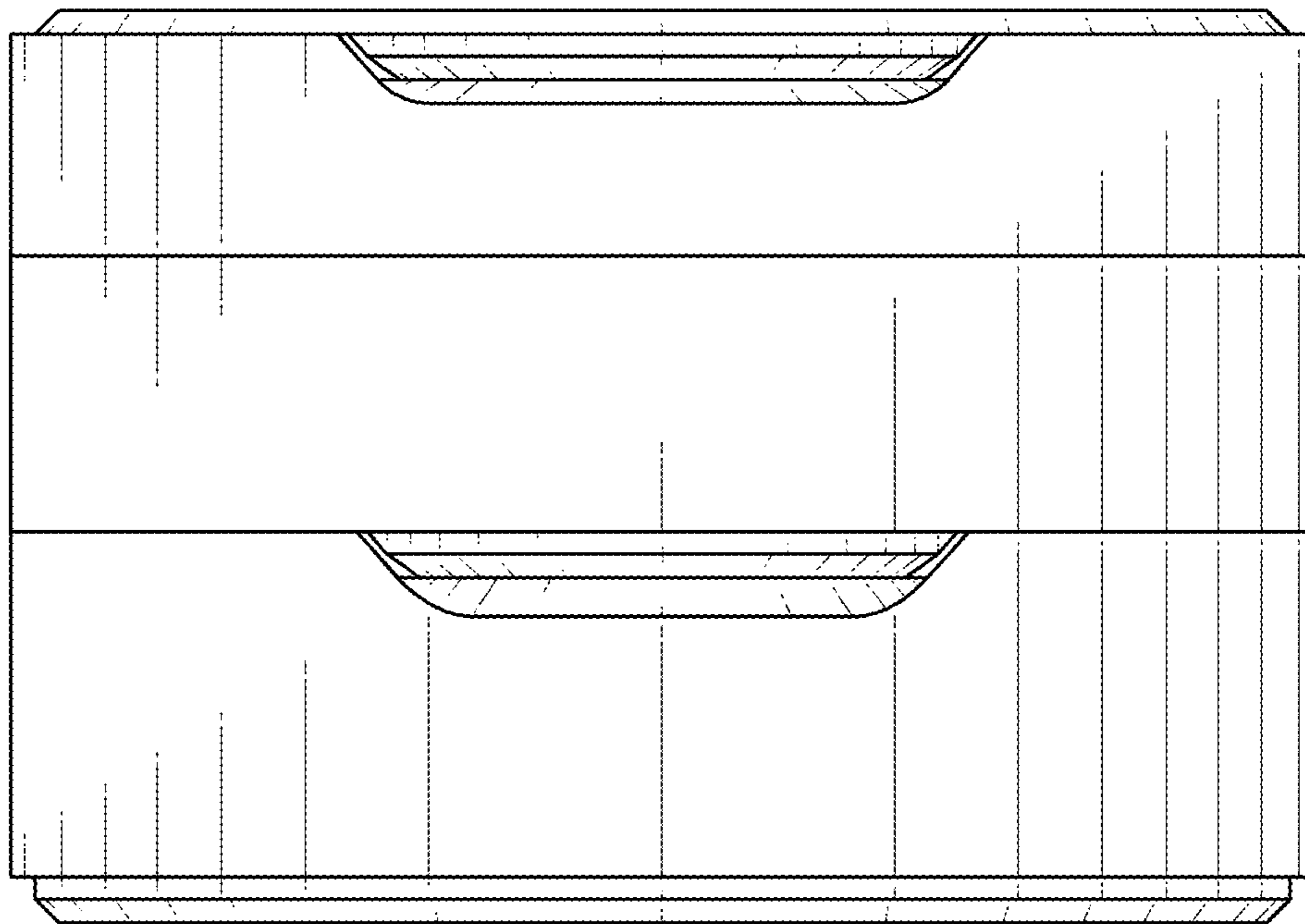


FIG. 3

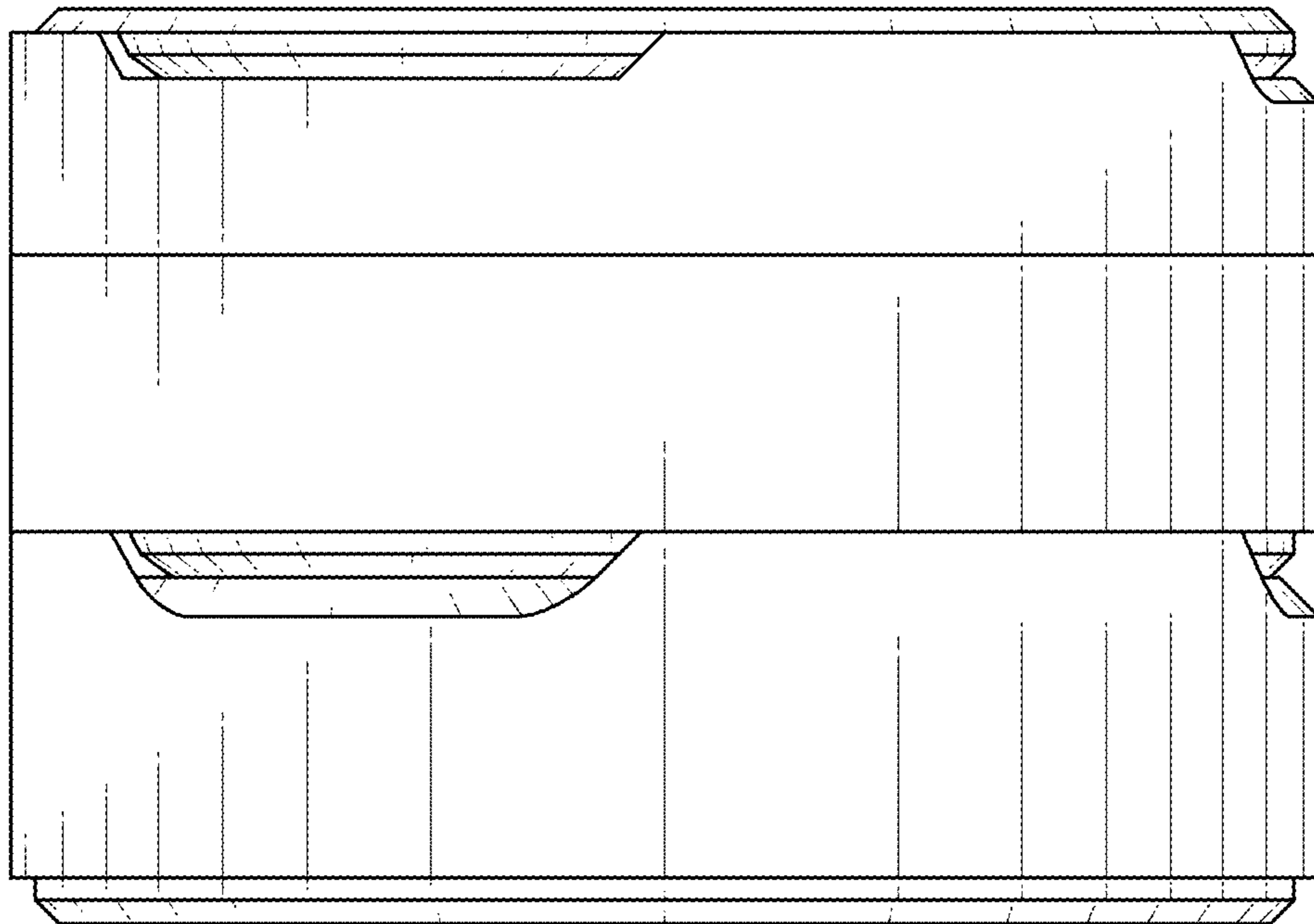


FIG. 4

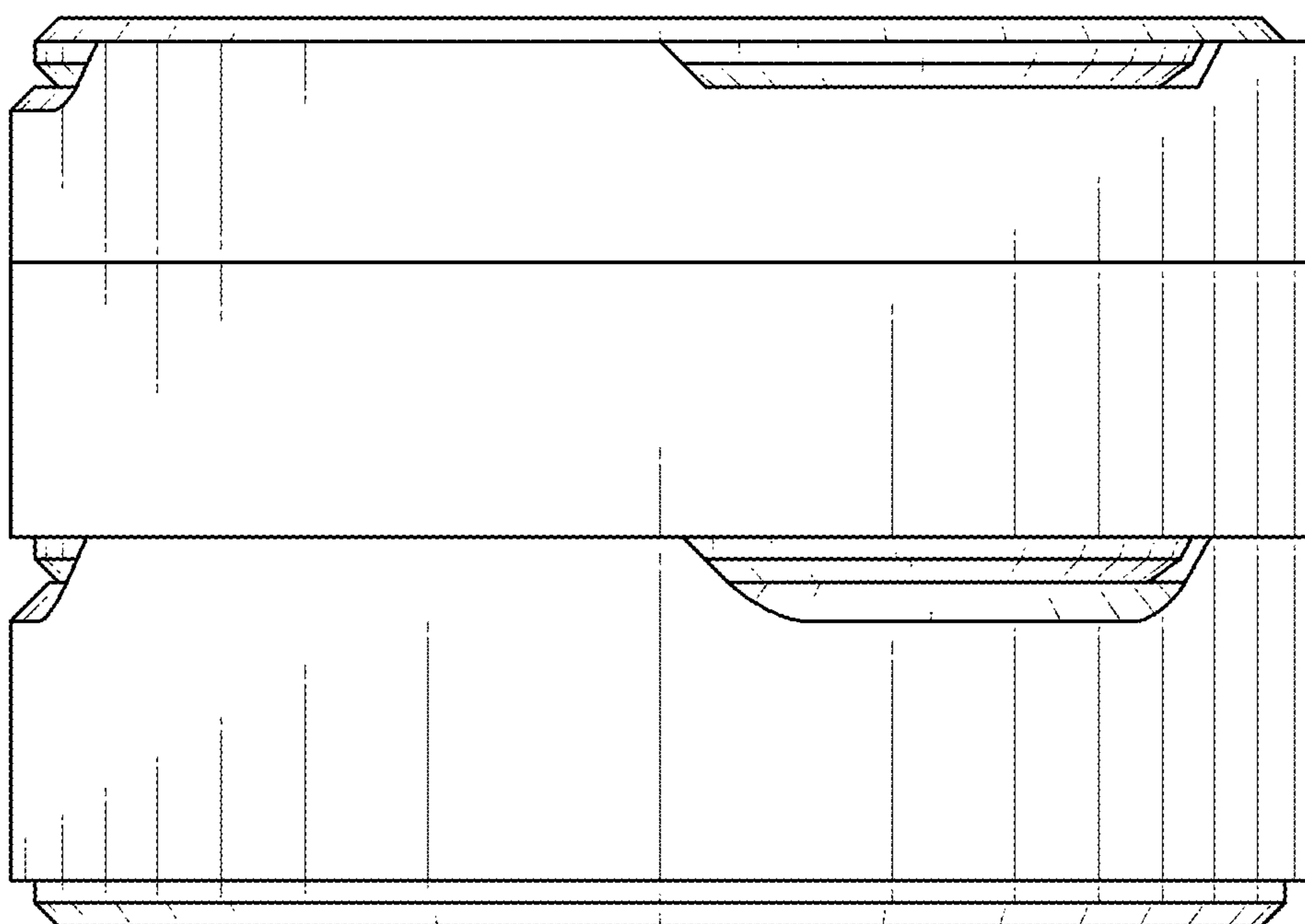


FIG. 5

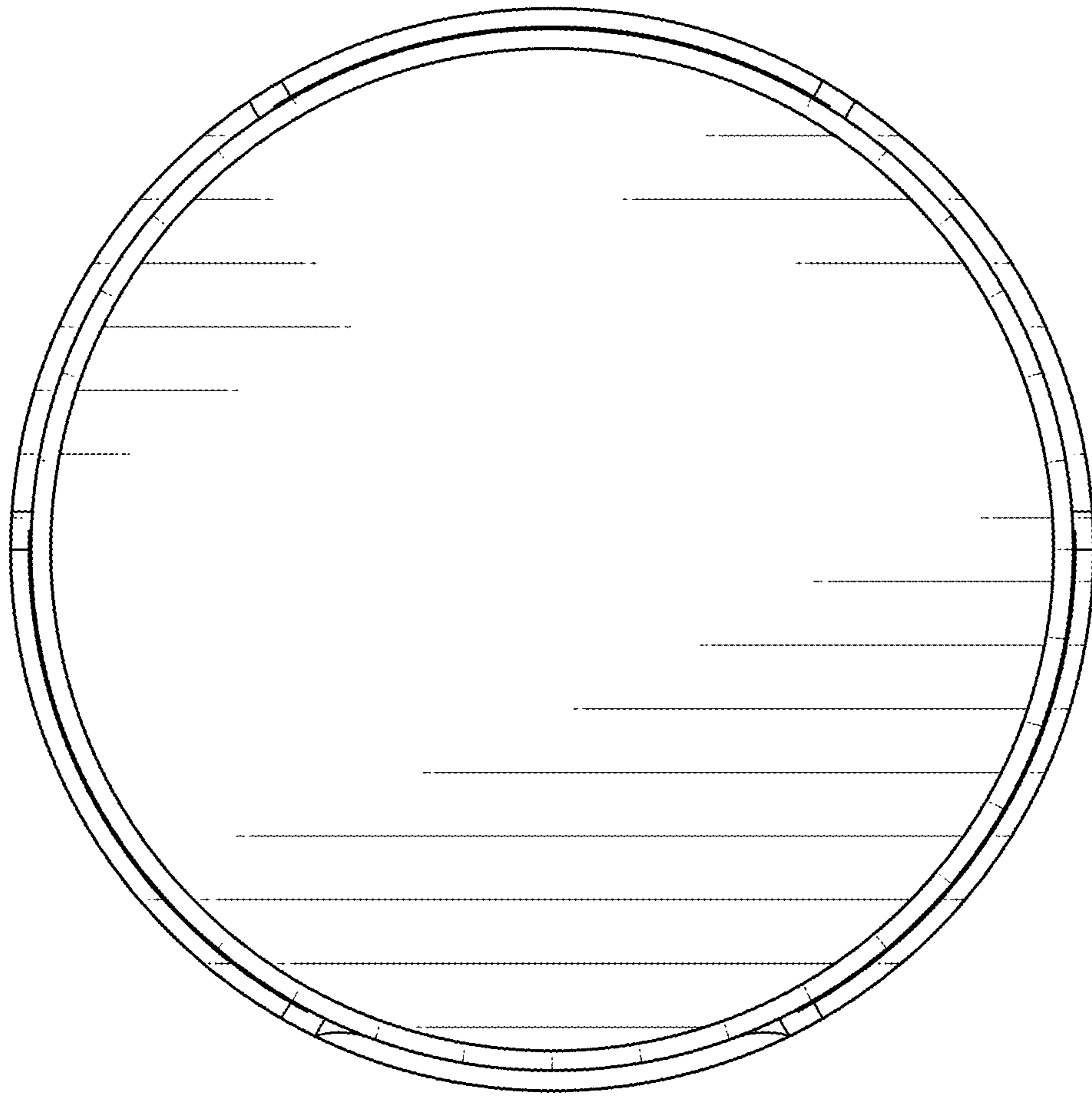


FIG. 6

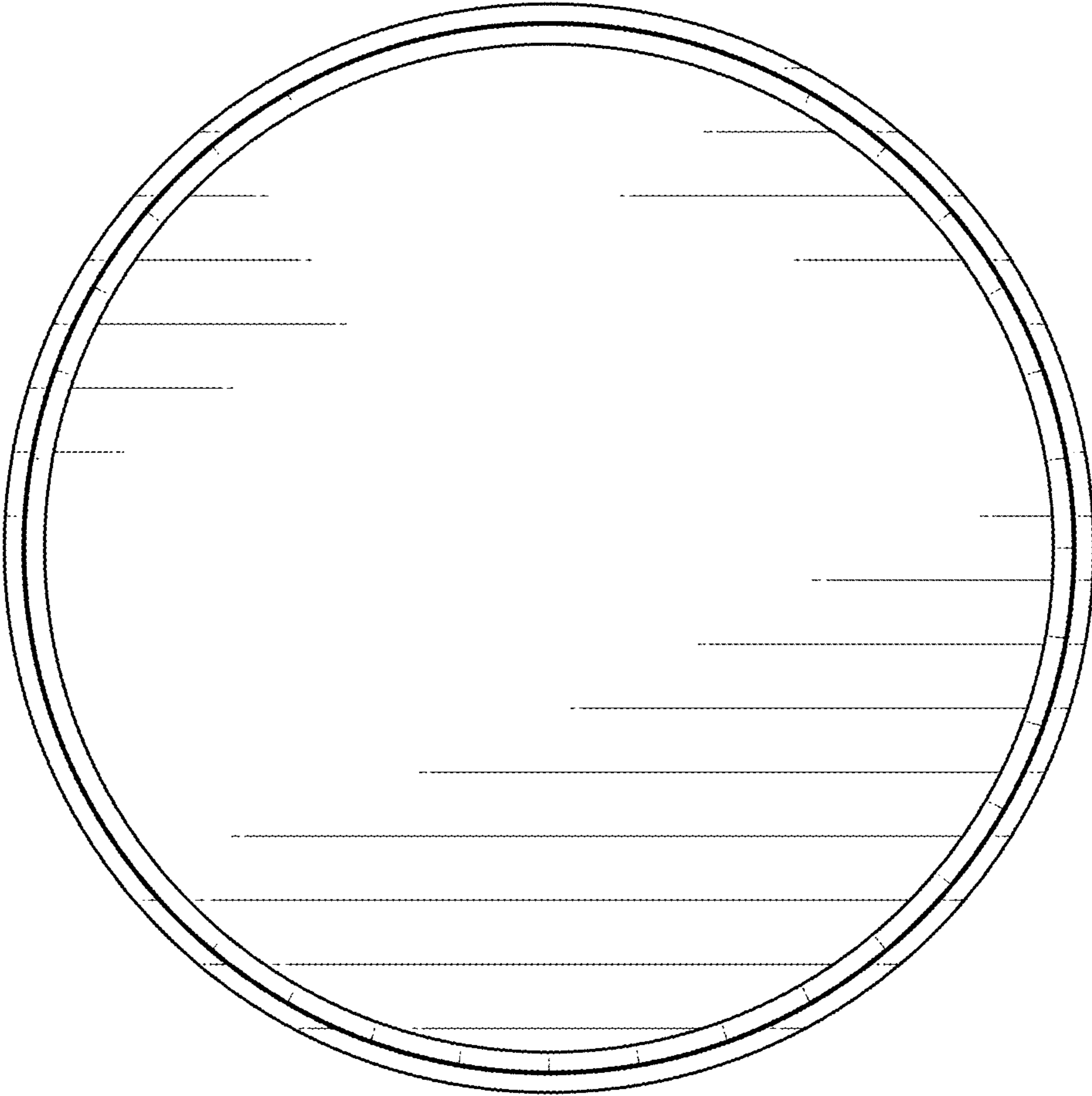


FIG. 7

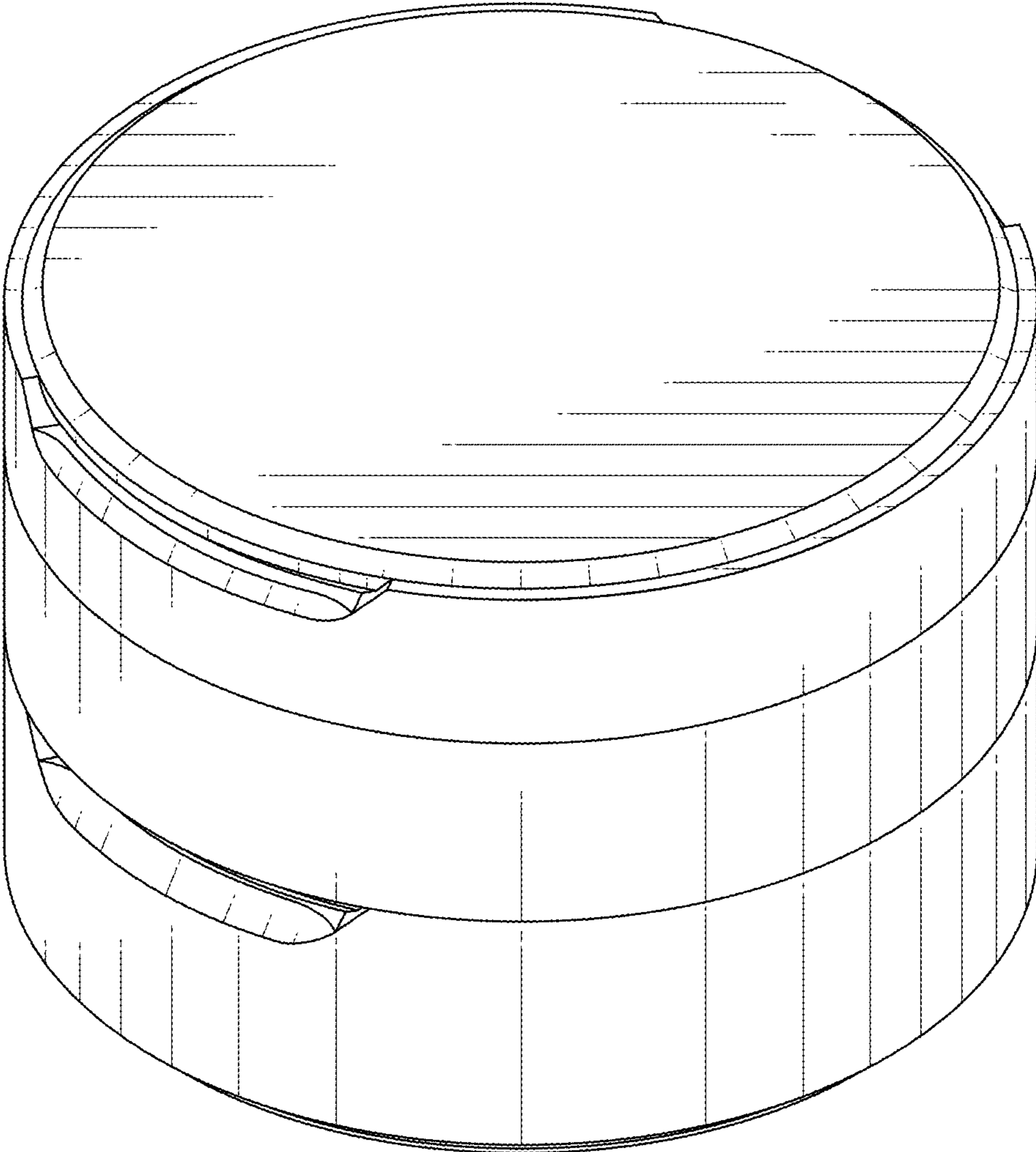


FIG. 8

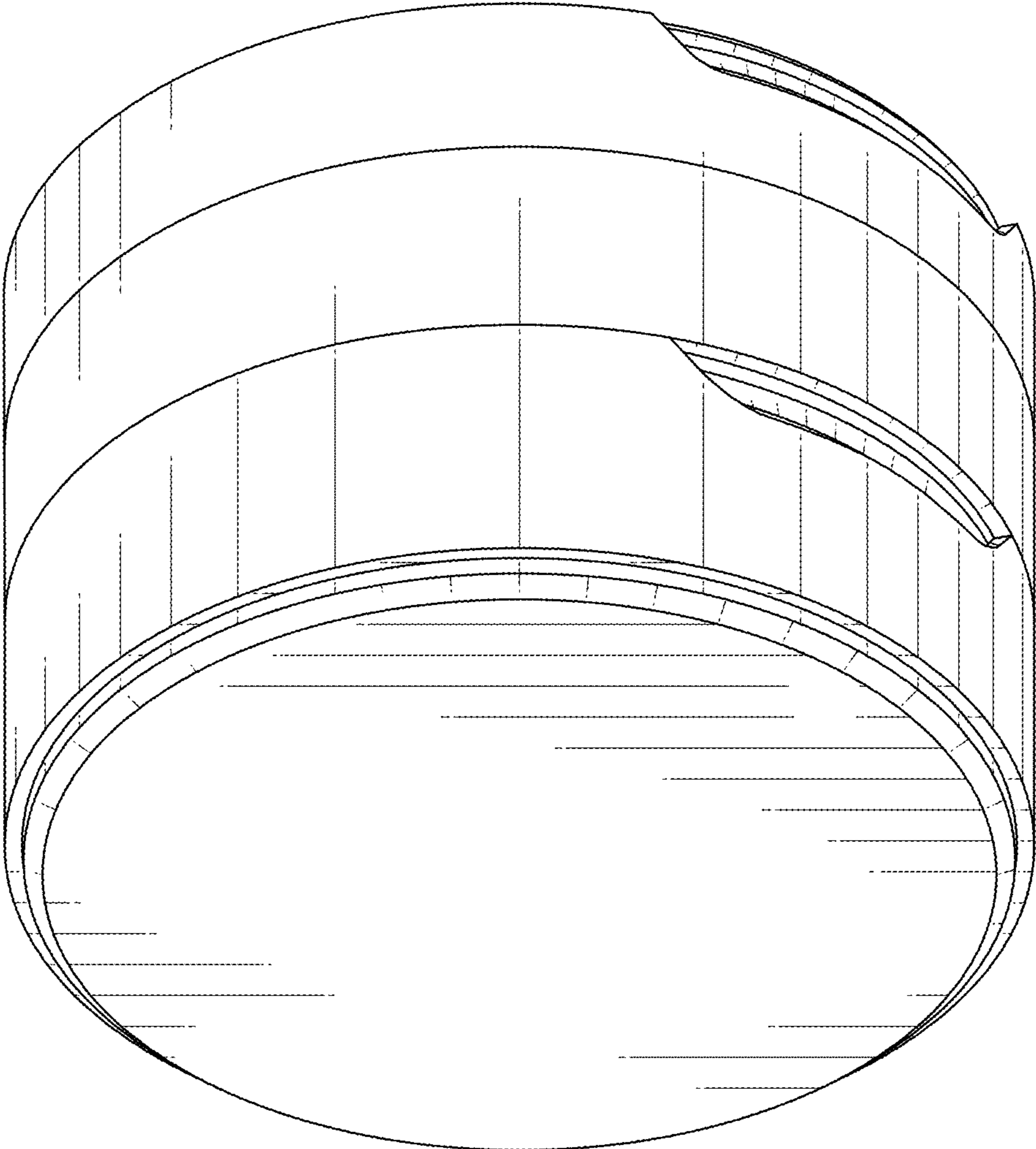


FIG. 9

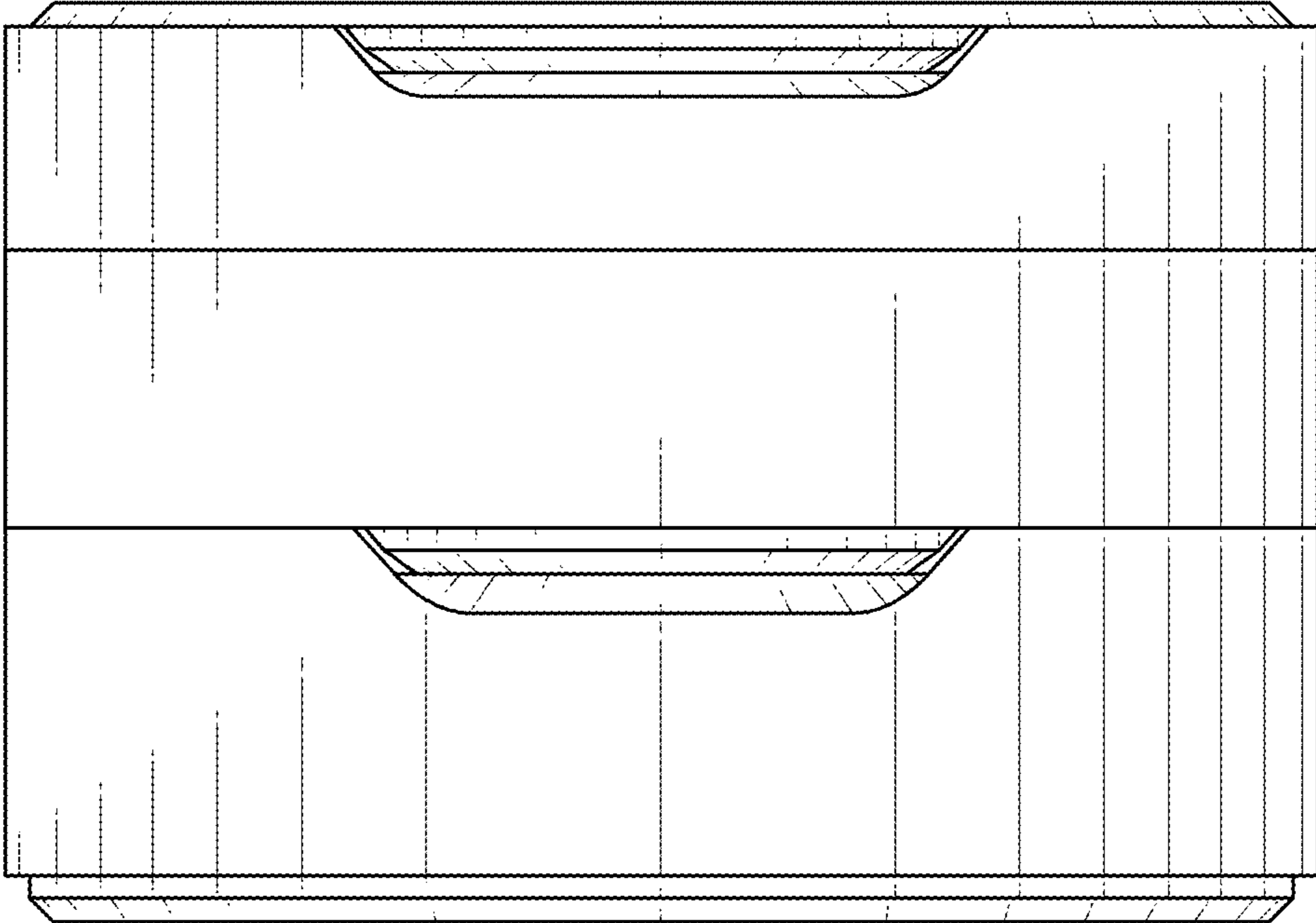


FIG. 10

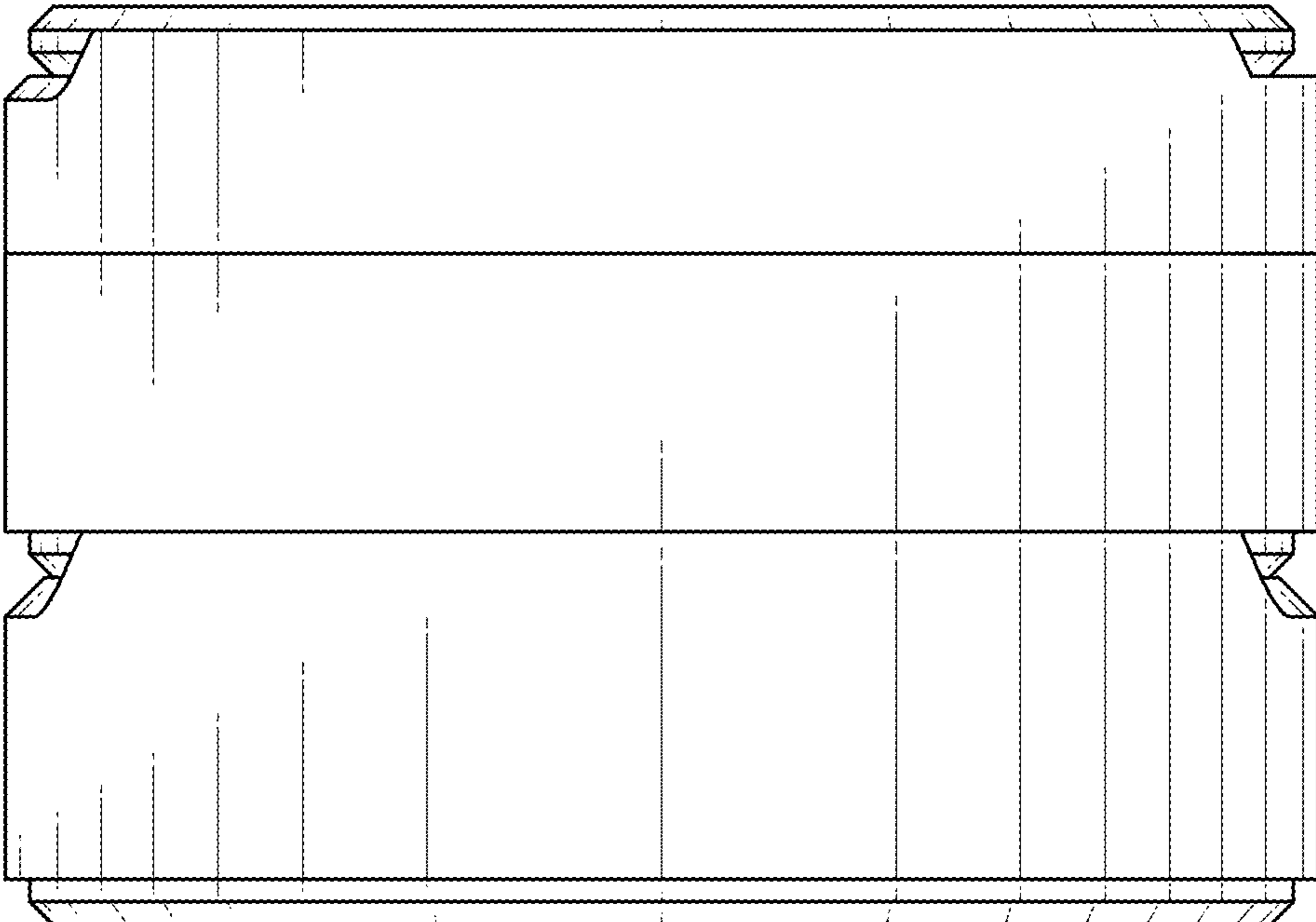


FIG. 11

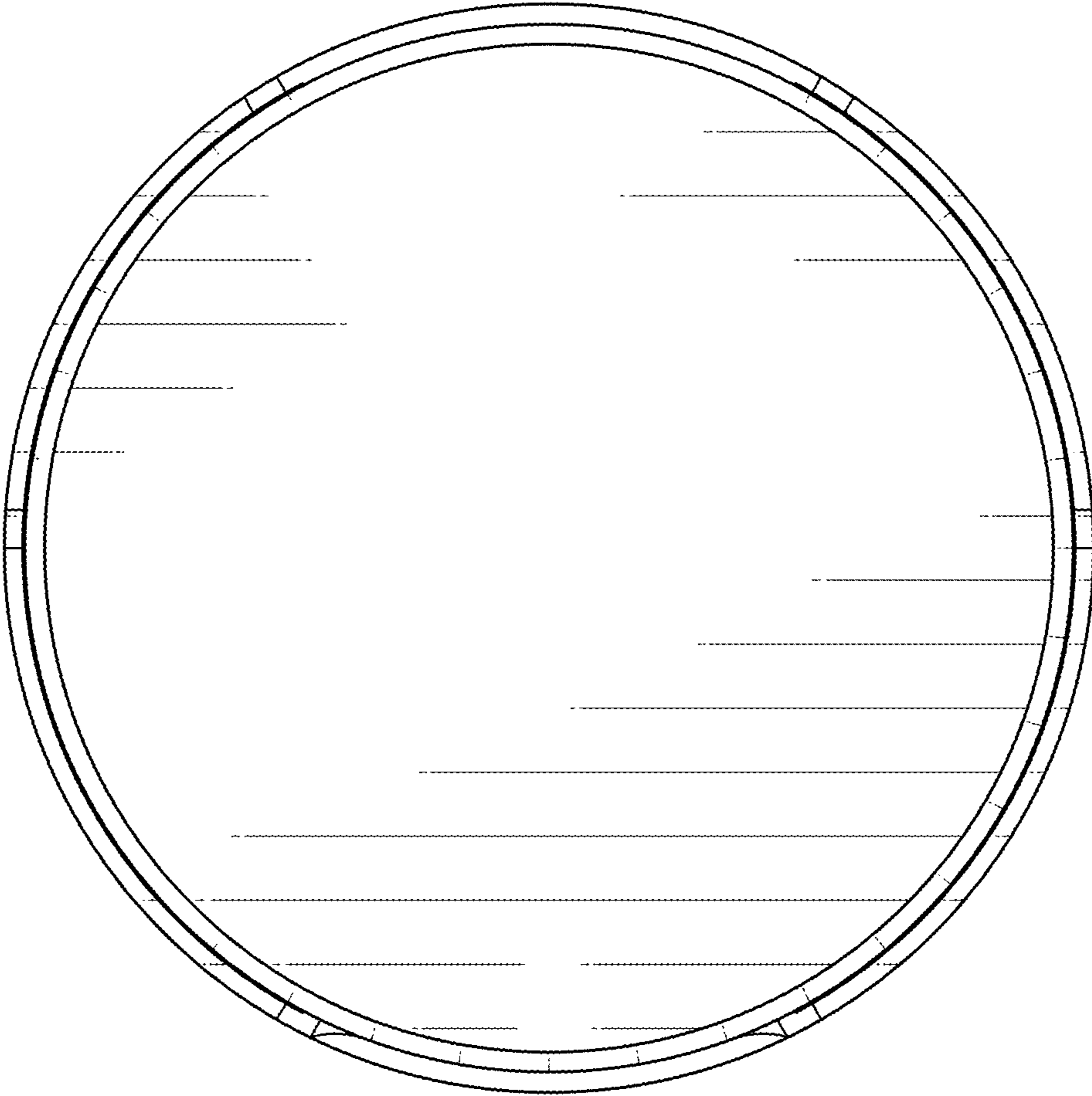


FIG. 12

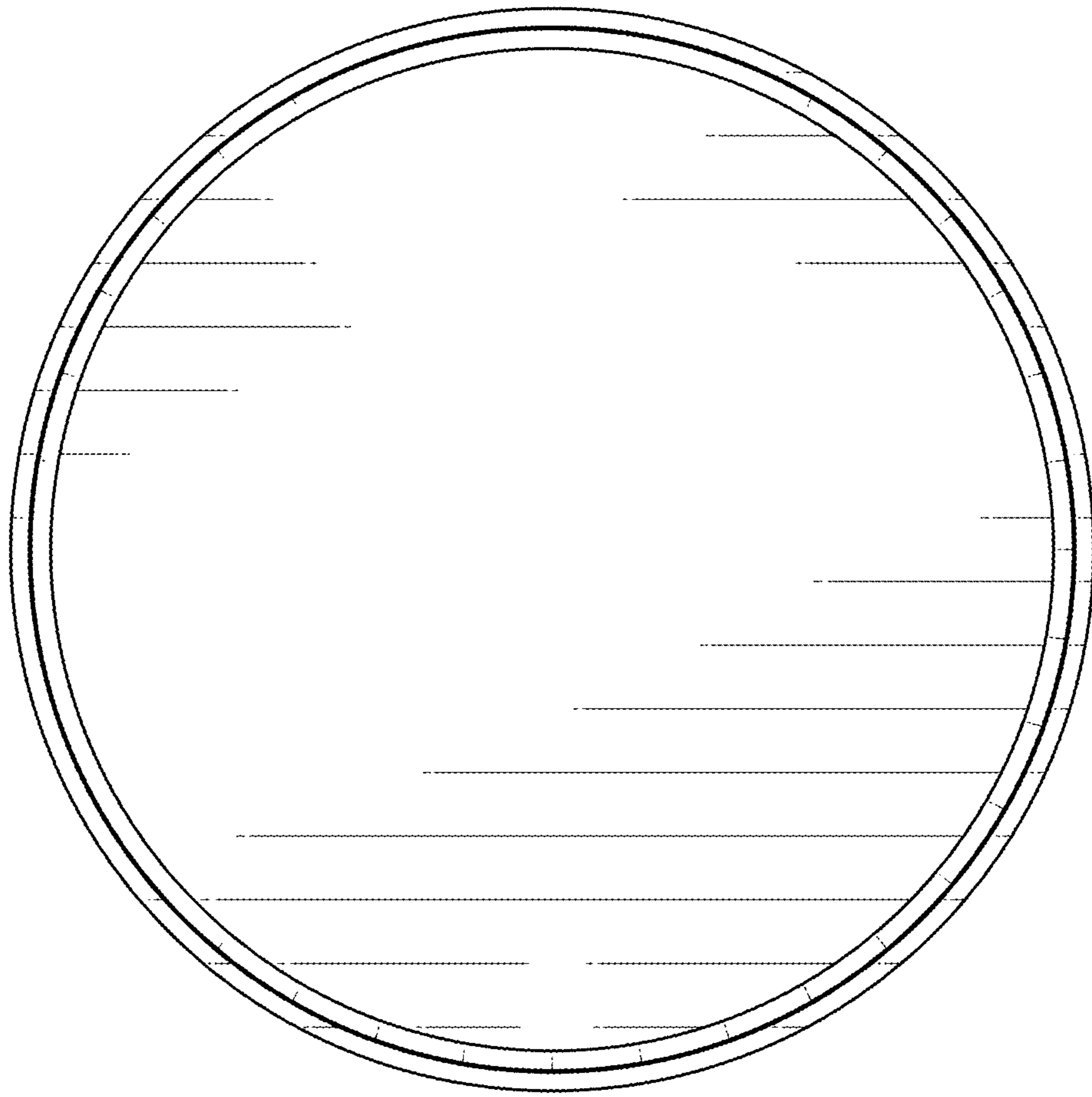


FIG. 13