



US00D988781S

(12) **United States Design Patent**
Ci

(10) **Patent No.:** **US D988,781 S**
(45) **Date of Patent:** **** Jun. 13, 2023**

(54) **ELECTRIC GRILL**

(71) Applicant: **Jiaqi Ci**, Guangdong (CN)

(72) Inventor: **Jiaqi Ci**, Guangdong (CN)

(**) Term: **15 Years**

(21) Appl. No.: **29/853,787**

(22) Filed: **Sep. 19, 2022**

(30) **Foreign Application Priority Data**

Jun. 5, 2022 (CN) 202230338956.8

(51) **LOC (14) Cl.** **07-02**

(52) **U.S. Cl.**

USPC **D7/362**

(58) **Field of Classification Search**

USPC ... D7/323, 332, 337, 350.1, 350.3, 354-362,
D7/709

CPC A23L 1/01; A23L 1/0107; A23L 1/0114;
A47J 27/00; A47J 27/08; A47J 27/09;
A47J 27/092; A47J 36/025; A47J 36/06;
A47J 36/08; A47J 36/10; A47J 36/12;
A47J 36/18; A47J 36/20; A47J 36/22;
A47J 36/165; A47J 37/00; A47J 37/0629;
A47J 37/0641; A47J 37/12; A47J 37/129;
A47J 37/1204; A47J 37/1209; A47J
37/1214; A47J 37/1219; A47J 37/1266;
A47J 37/1285; A47J 37/1295; G07F
17/0064; G07F 17/0078; G07F 17/0085;
H05B 6/02; H05B 6/06; H05B 6/12

See application file for complete search history.

(56) **References Cited**

U.S. PATENT DOCUMENTS

D366,592 S * 1/1996 Cesaroni D7/355
6,234,067 B1 * 5/2001 Schmidt A47J 36/12
99/426
D444,667 S * 7/2001 Wong D7/362

(Continued)

OTHER PUBLICATIONS

Techwood Indoor Smokeless Grill. Date First Available on Amazon.com Apr. 1, 2020. <https://www.amazon.com/dp/B086MJ8NX9/ref> (Year: 2020).*

Primary Examiner — Ricky Pham

(57) **CLAIM**

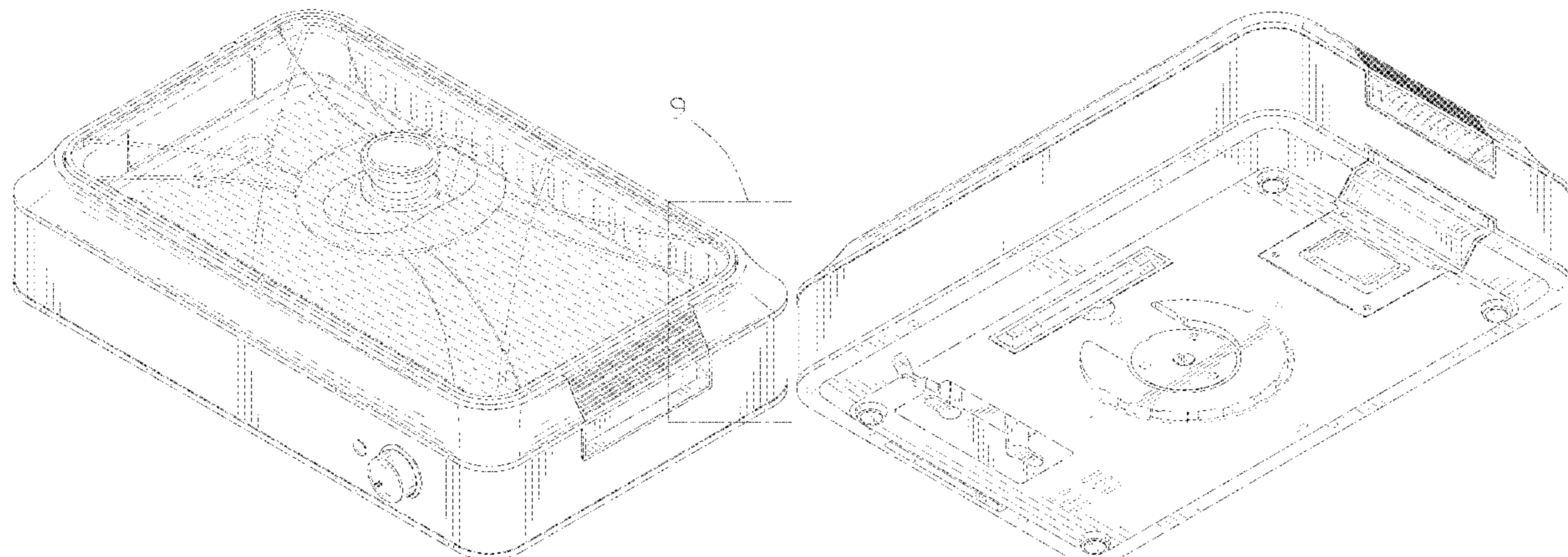
The ornamental design for an electric grill, as shown and described.

DESCRIPTION

FIG. 1 is a front and top perspective view of a first embodiment of an electric grill, showing my new design; FIG. 2 is a rear and bottom perspective view thereof; FIG. 3 is a front elevation view thereof; FIG. 4 is a rear elevation view thereof; FIG. 5 is a left side elevation view thereof; FIG. 6 is a right side elevation view thereof; FIG. 7 is a top plan view thereof; FIG. 8 is a bottom plan view thereof; FIG. 9 is an enlarged perspective view of detail “9” identified in FIG. 1; FIG. 10 is a front and top perspective view of a second embodiment of the electric grill; FIG. 11 is a rear and bottom perspective view thereof; FIG. 12 is a front view thereof; FIG. 13 is a rear view thereof; FIG. 14 is a left side view thereof; FIG. 15 is a right side view thereof; FIG. 16 is a top view thereof; FIG. 17 is a bottom view thereof; and, FIG. 18 is an enlarged perspective view of detail “18” identified in FIG. 10.

The dashed lines in the figures illustrate portions of the electric grill that form no part of the claimed design. The dash dot dash lines in FIGS. 1, 9, 10 and 18 are for the purpose of illustrating the enlarged views indicators and form no part of the claimed design.

1 Claim, 18 Drawing Sheets



(56)

References Cited

U.S. PATENT DOCUMENTS

D591,553 S *	5/2009	Garman	D7/363
D763,034 S *	8/2016	Berge	D7/354
D804,238 S *	12/2017	Xiong	D7/354
D842,023 S *	3/2019	Carlson	D7/367
D862,974 S *	10/2019	Miyawaki	D7/362
D936,407 S *	11/2021	Kim	D7/337
D948,271 S	4/2022	Wilson	
D960,632 S *	8/2022	Jo	D7/360
2006/0054615 A1 *	3/2006	Tidey	A47J 37/0629 219/429

* cited by examiner

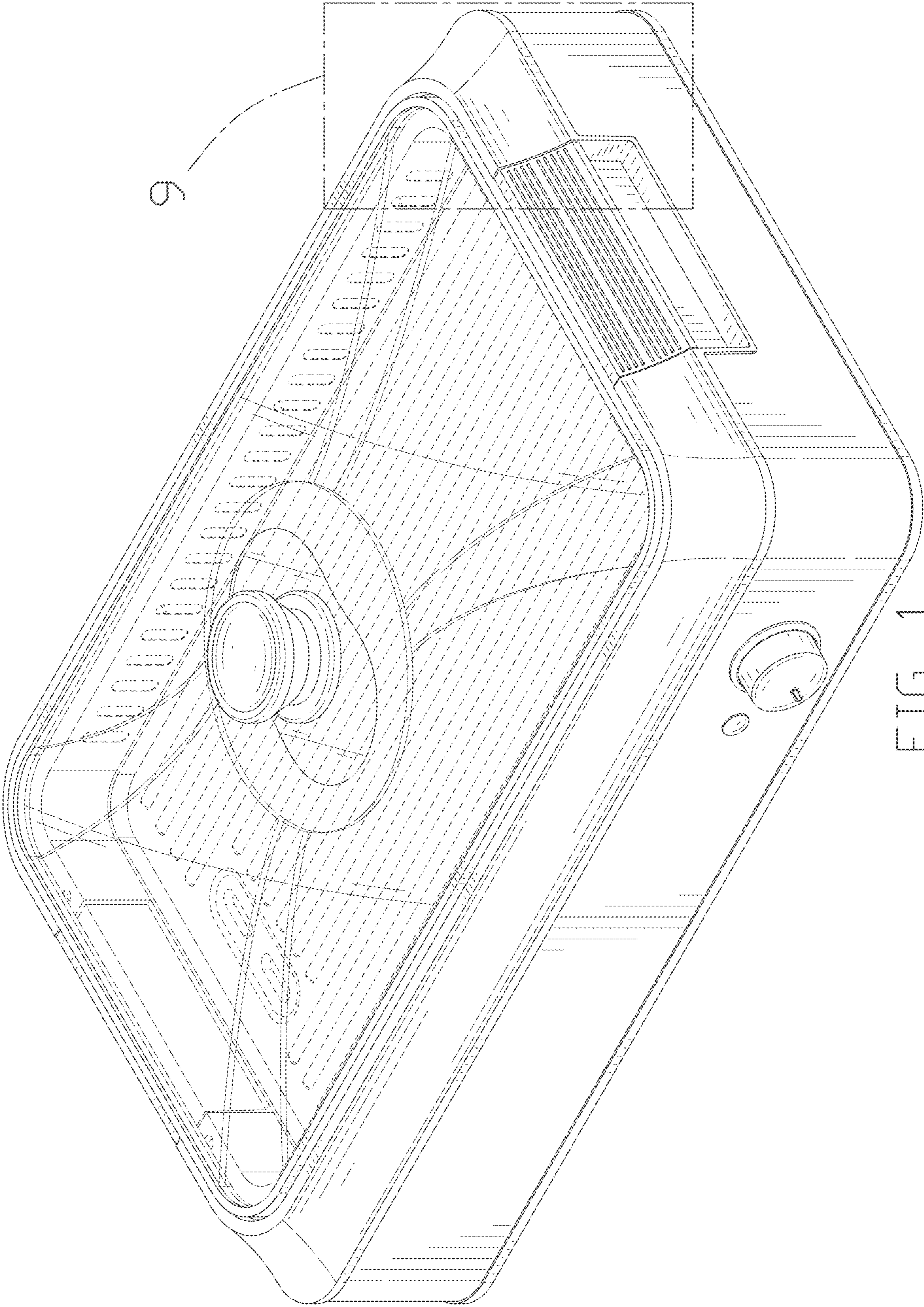


FIG. 1

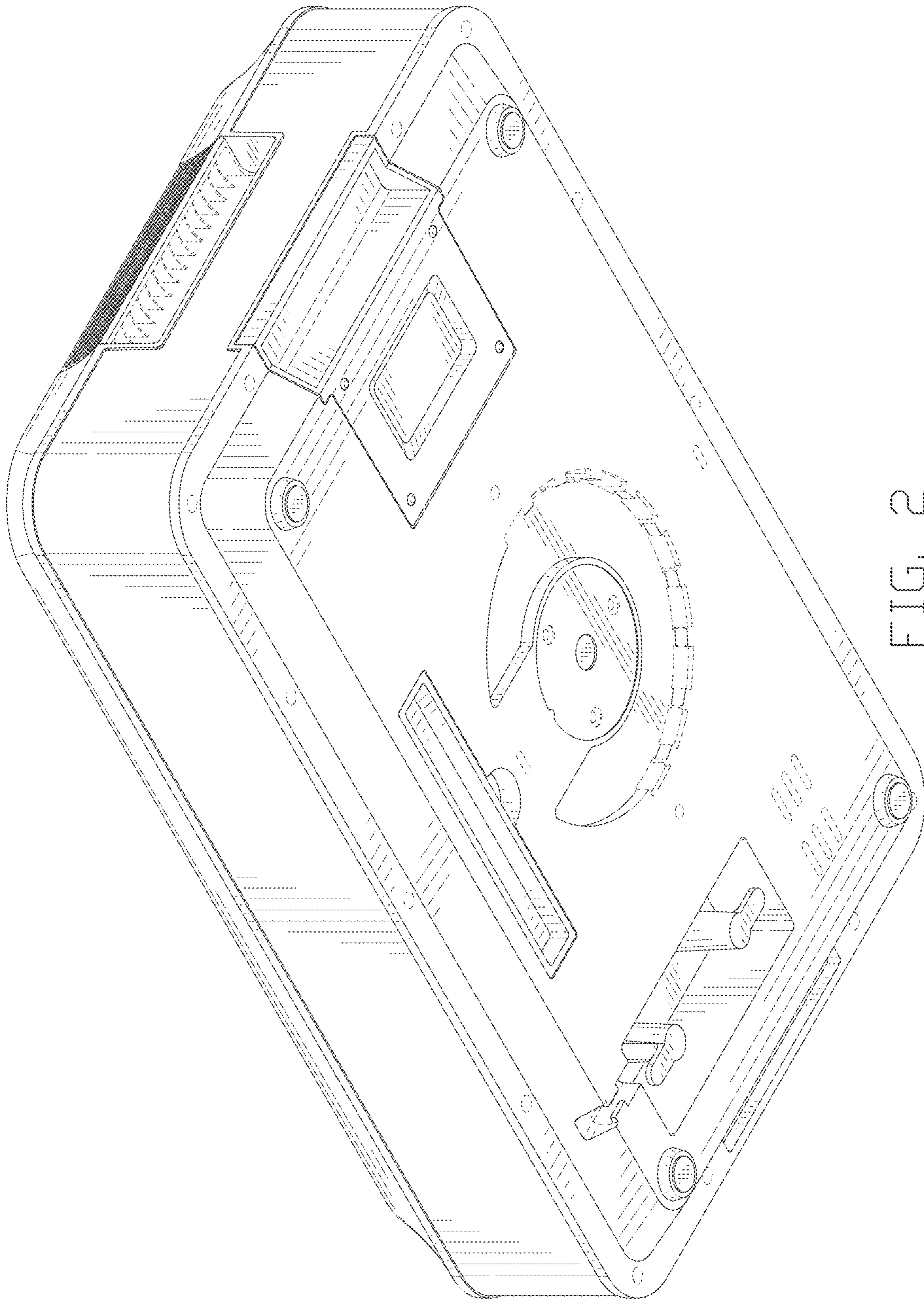


FIG. 2

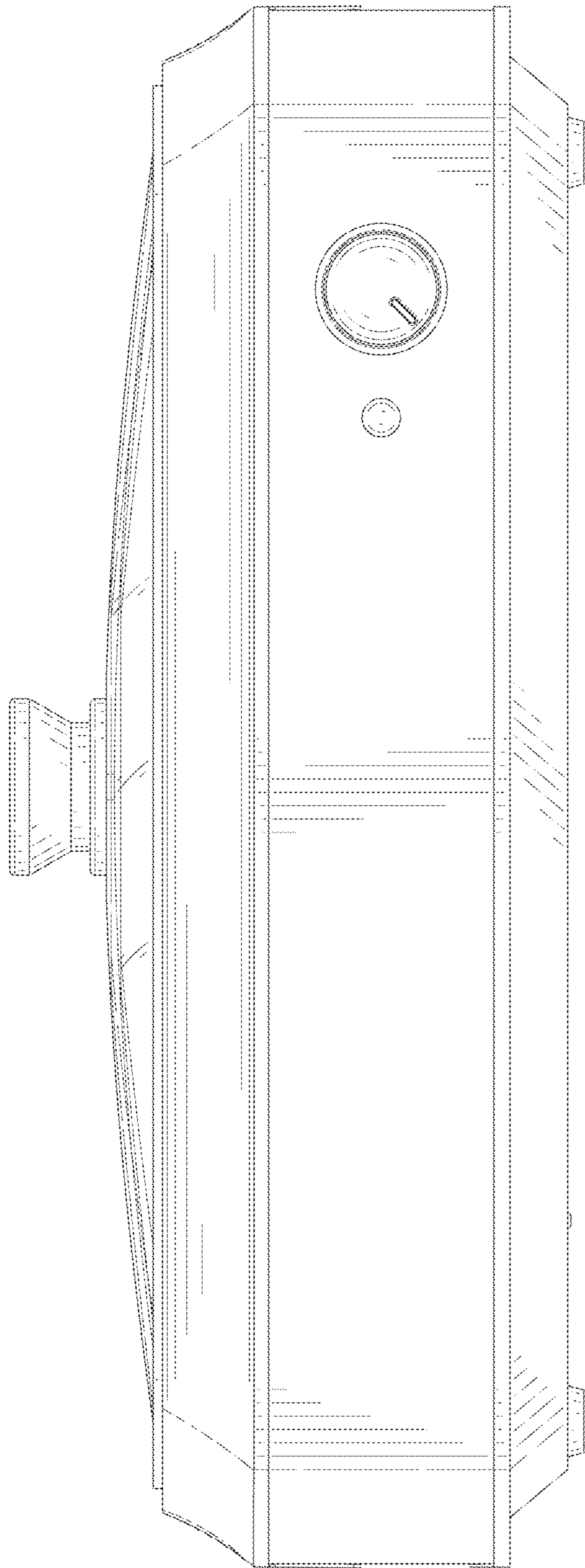


FIG. 3

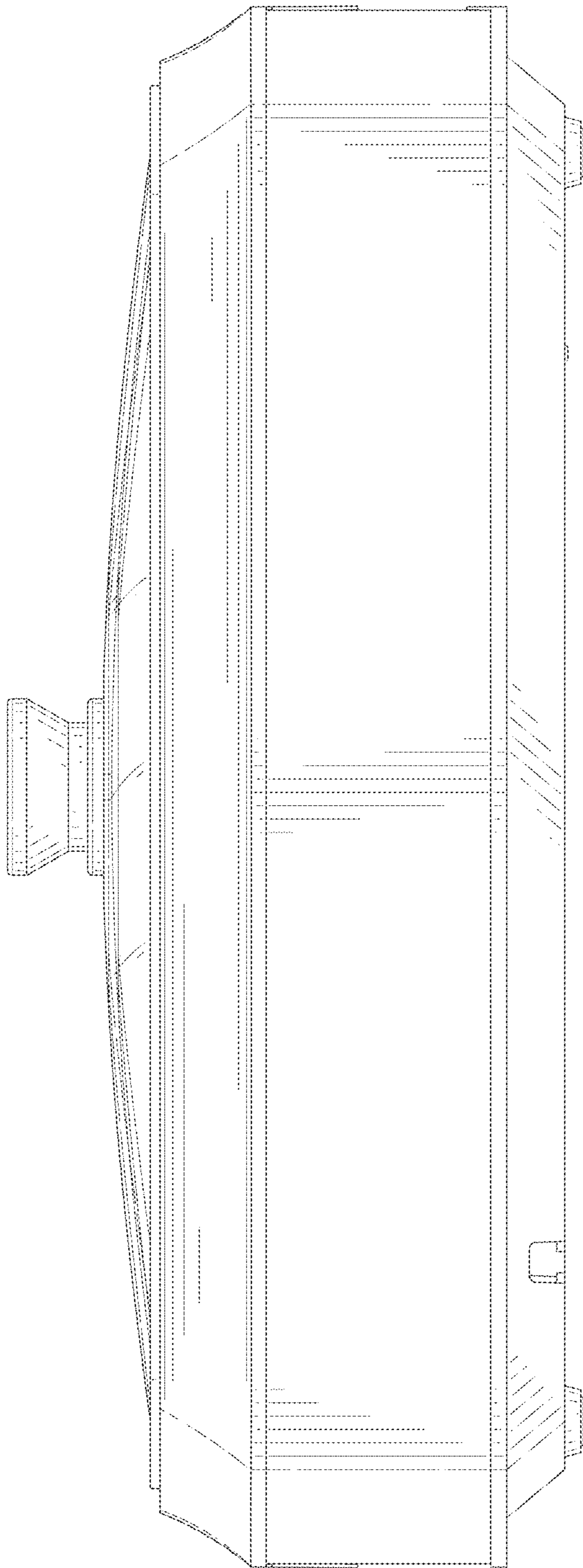


FIG. 4

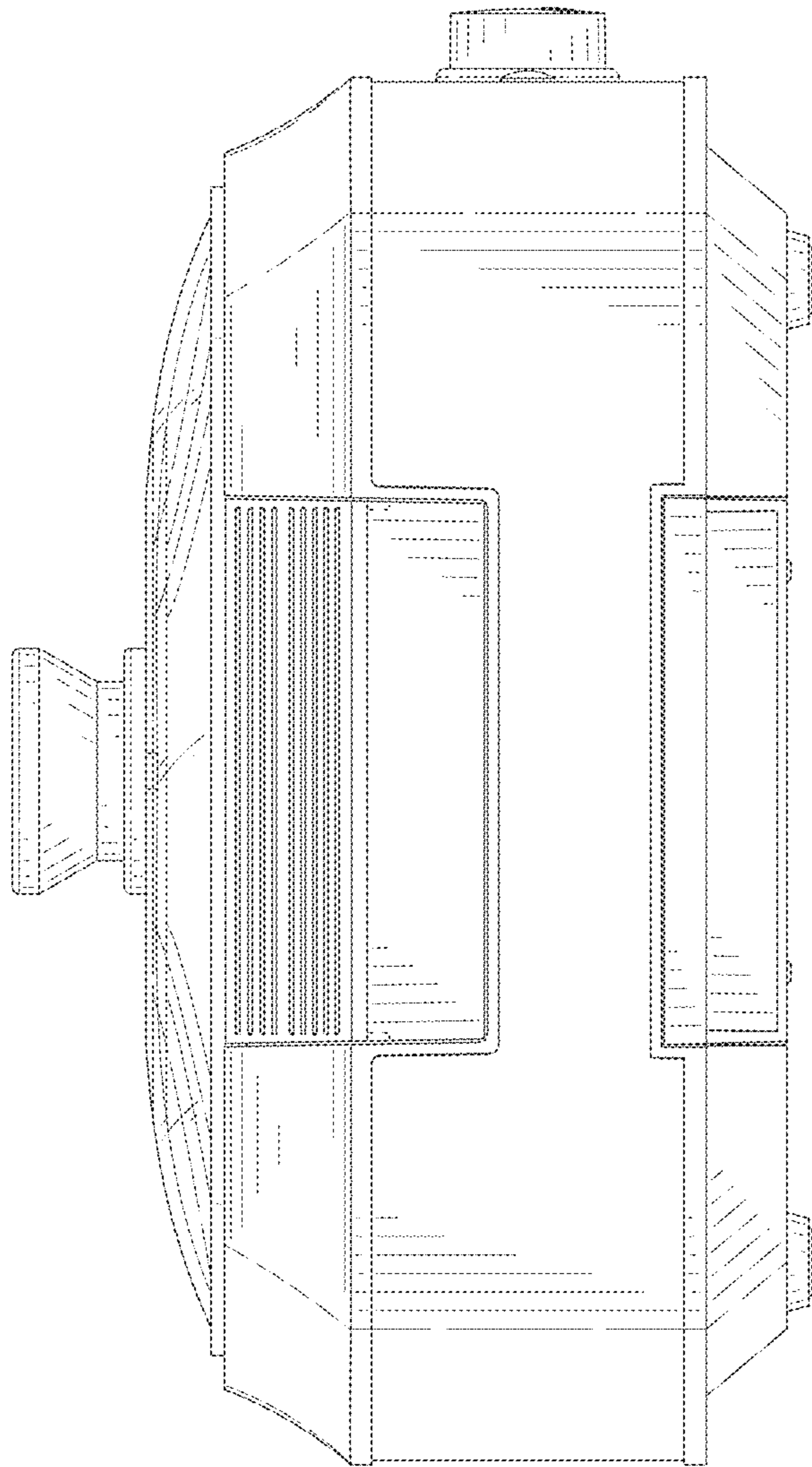


FIG. 5

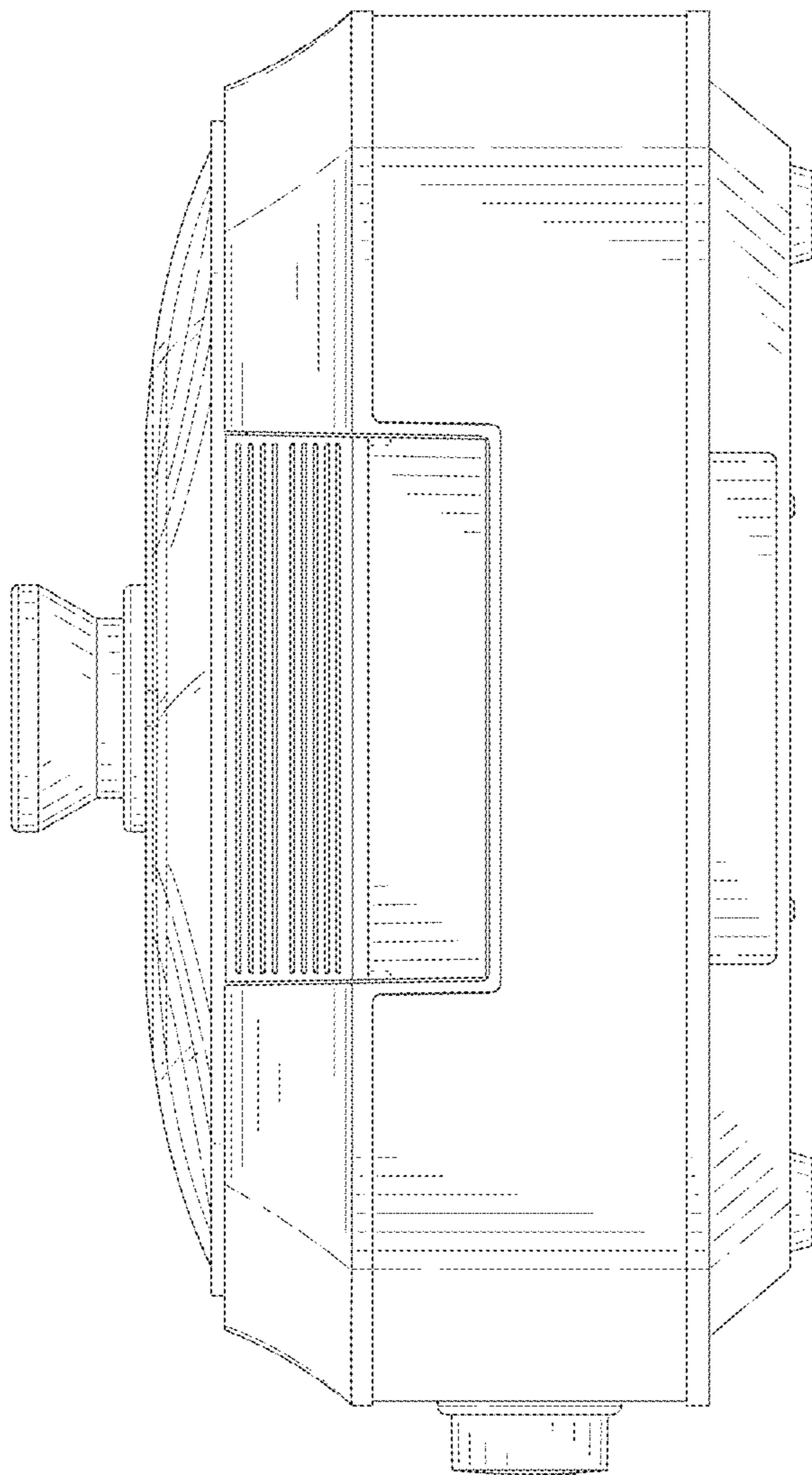


FIG. 6

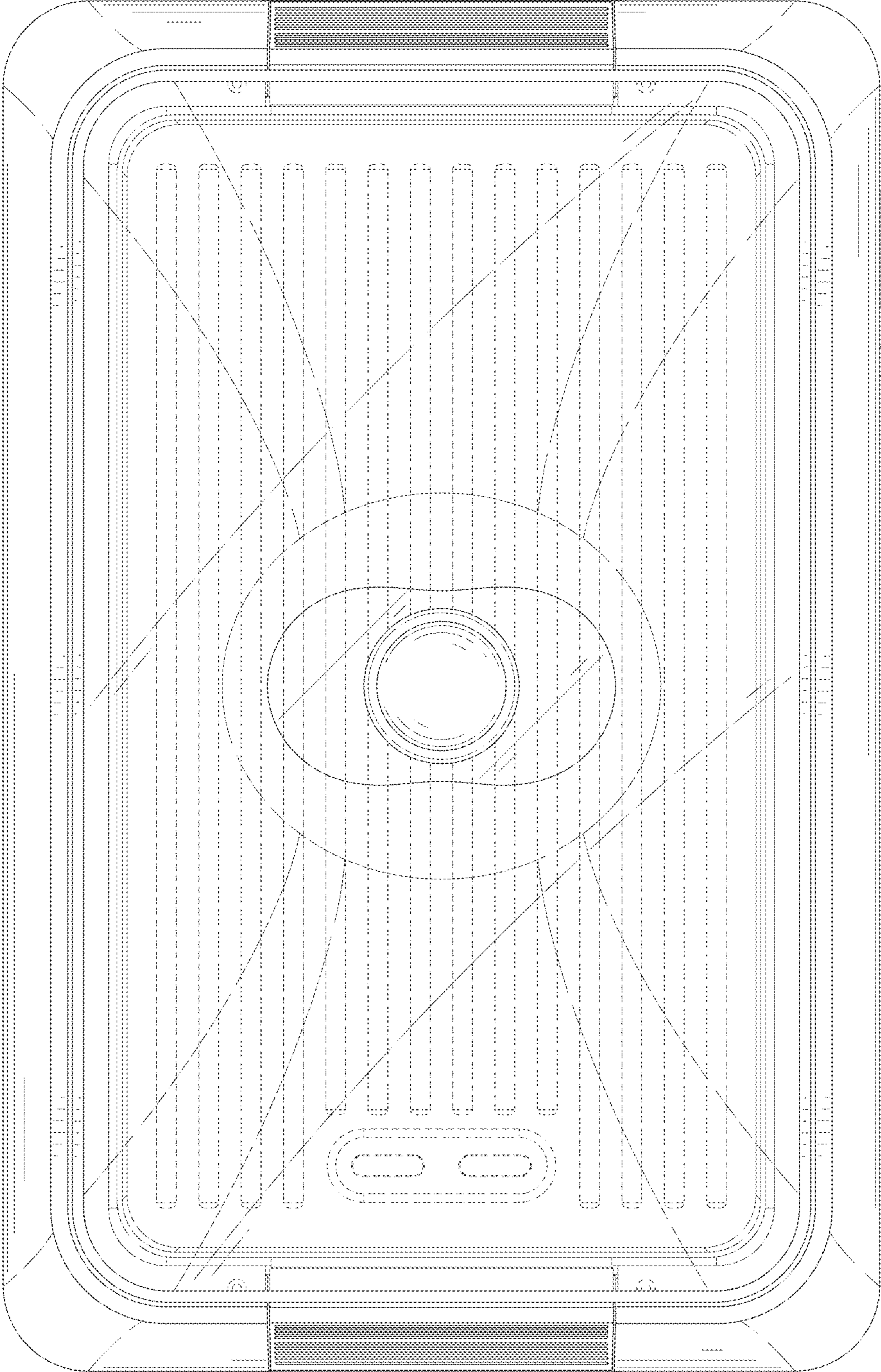


FIG. 7

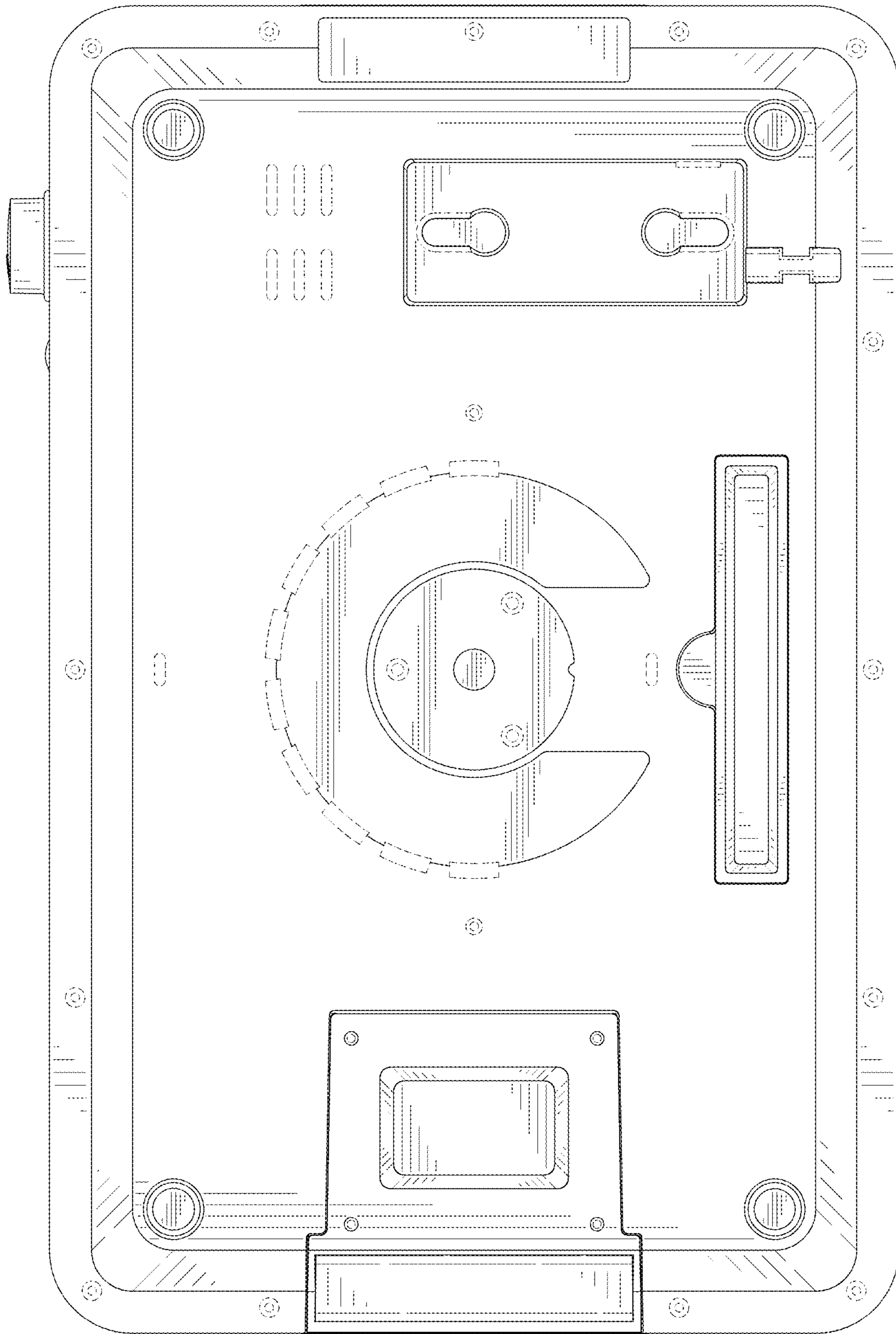


FIG. 8

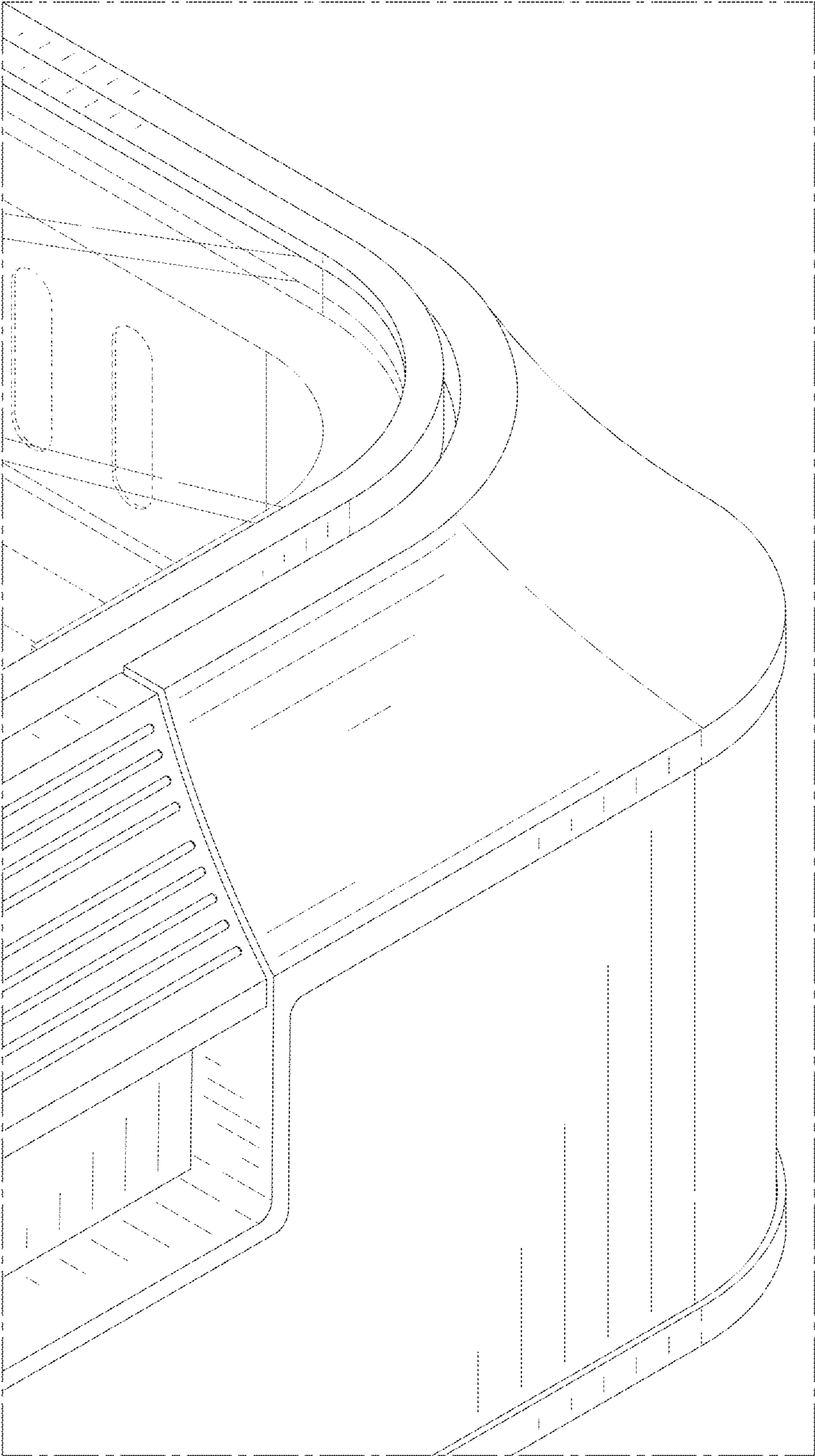


FIG. 9

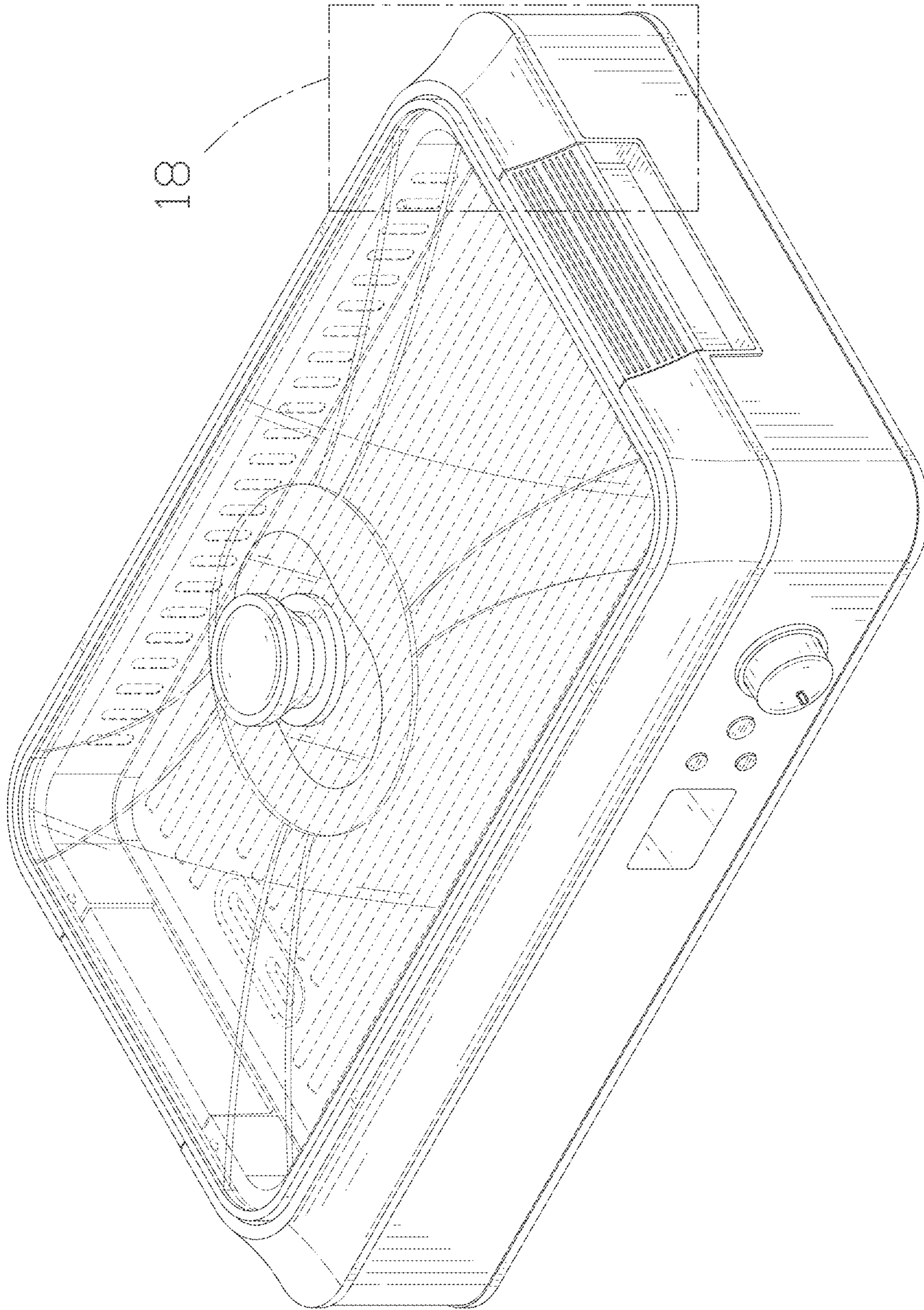


FIG. 10

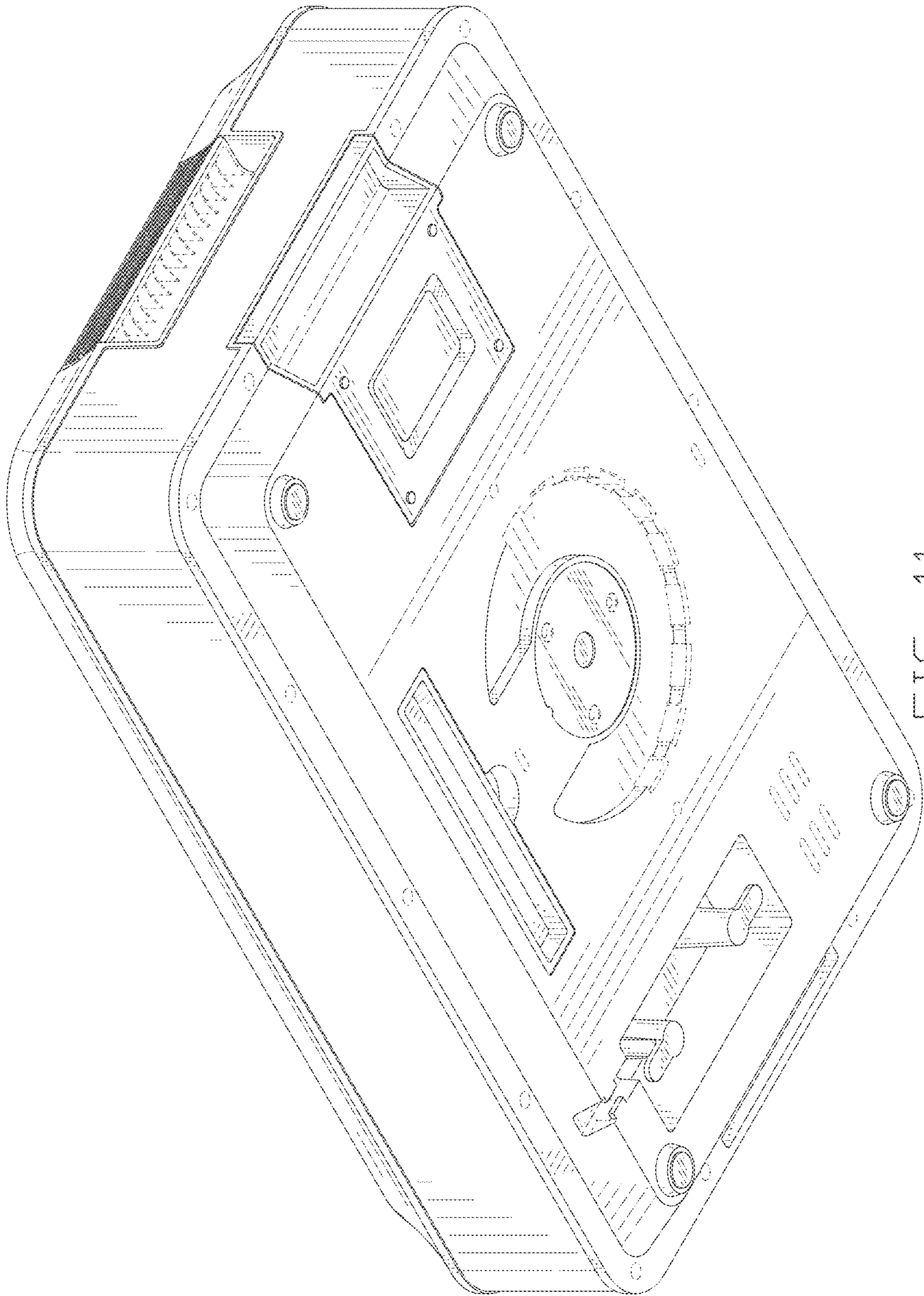


FIG. 11

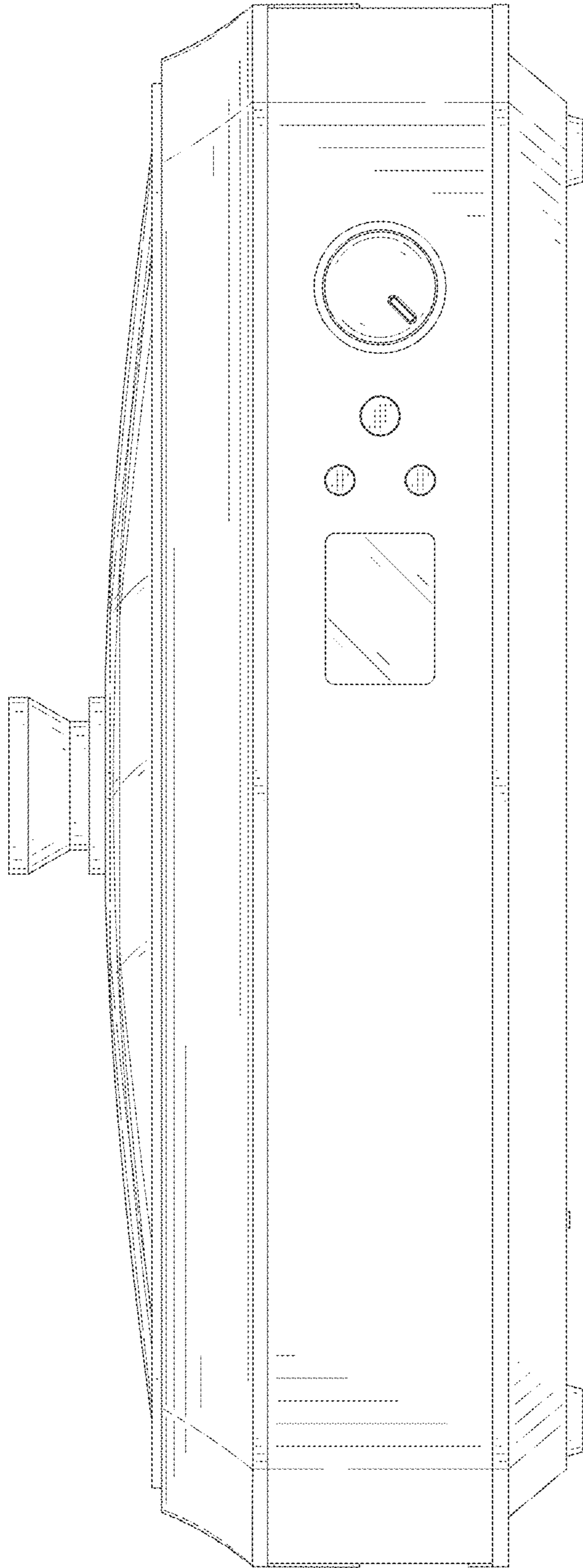


FIG. 12

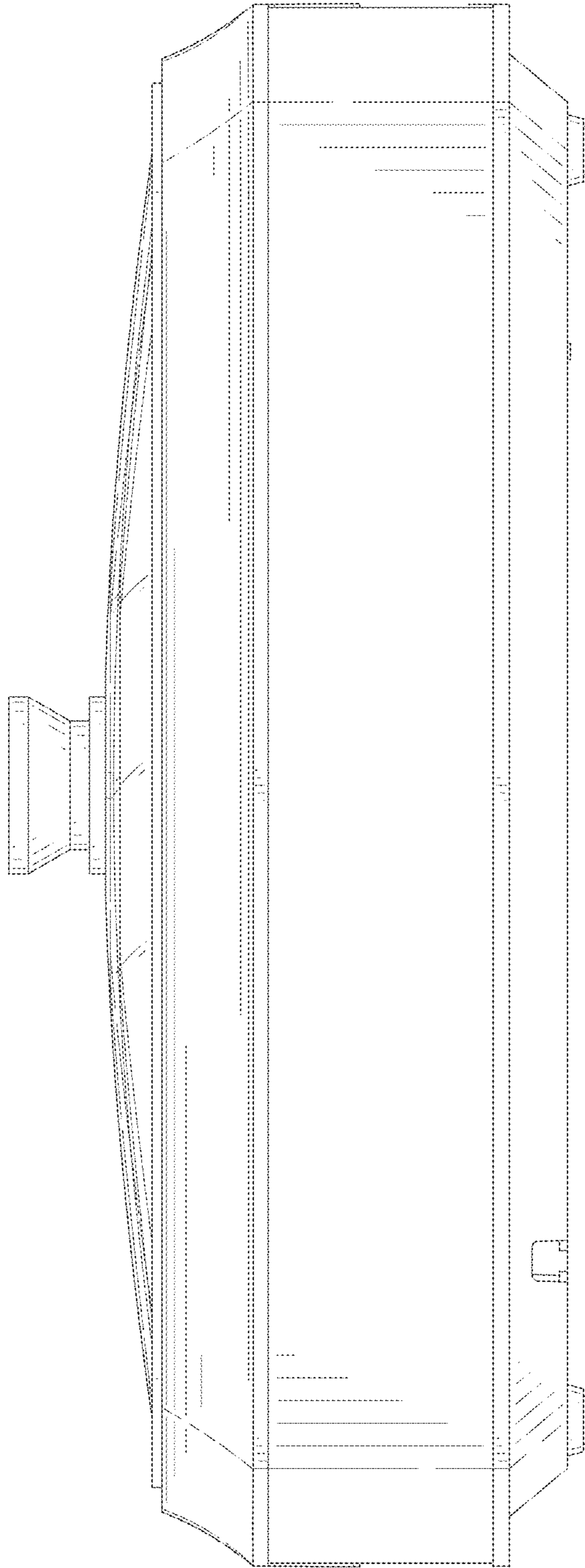


FIG. 13

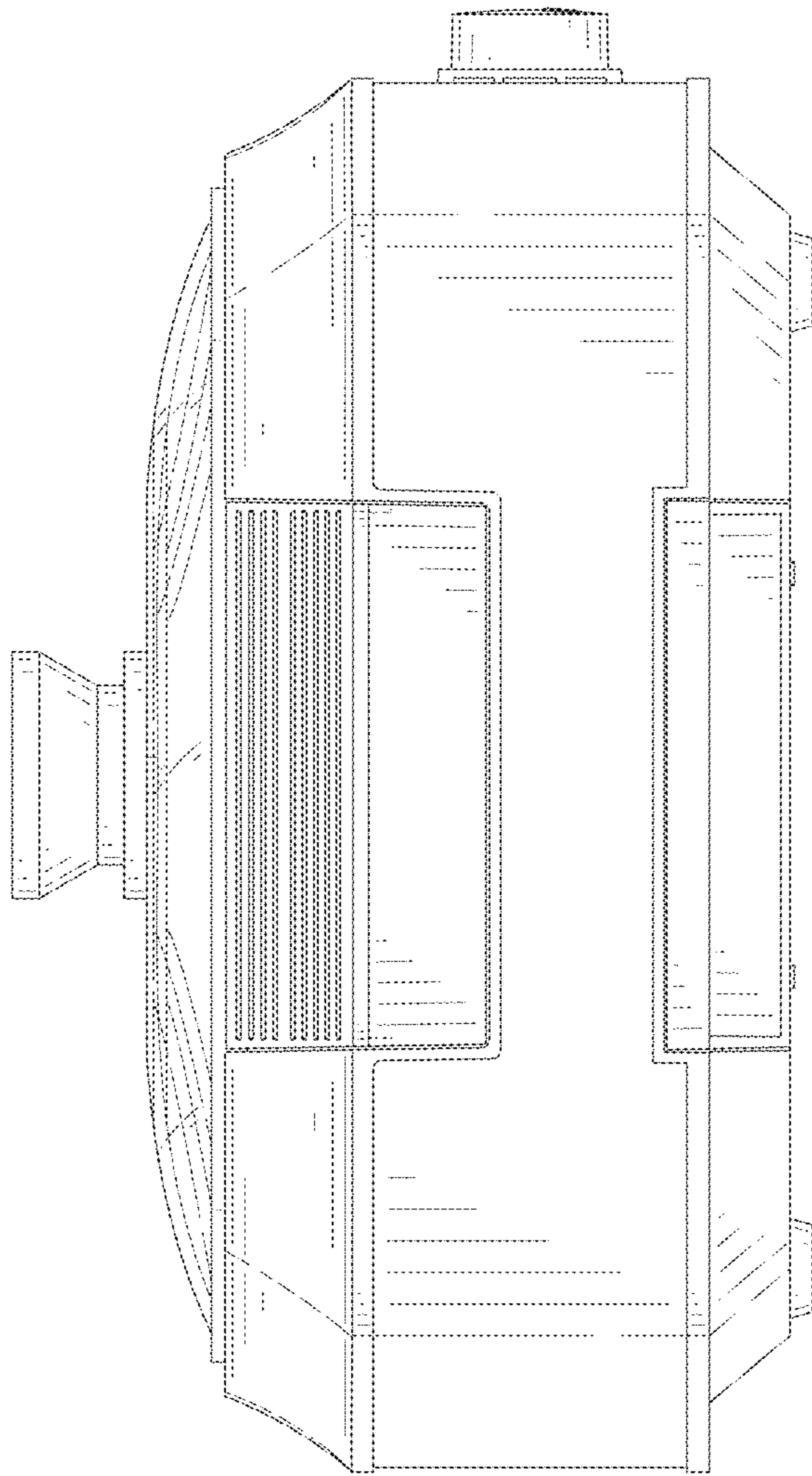


FIG. 14

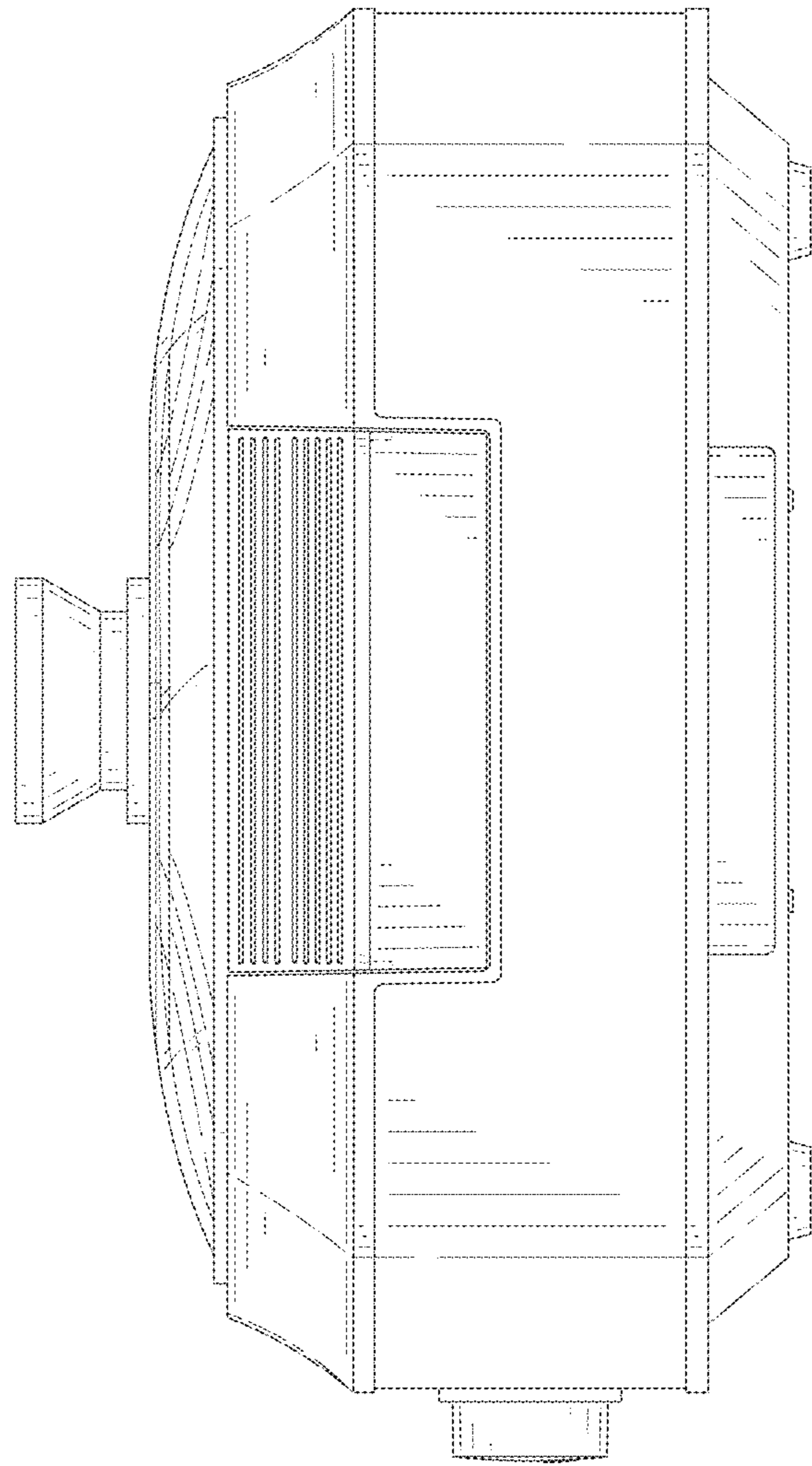


FIG. 15

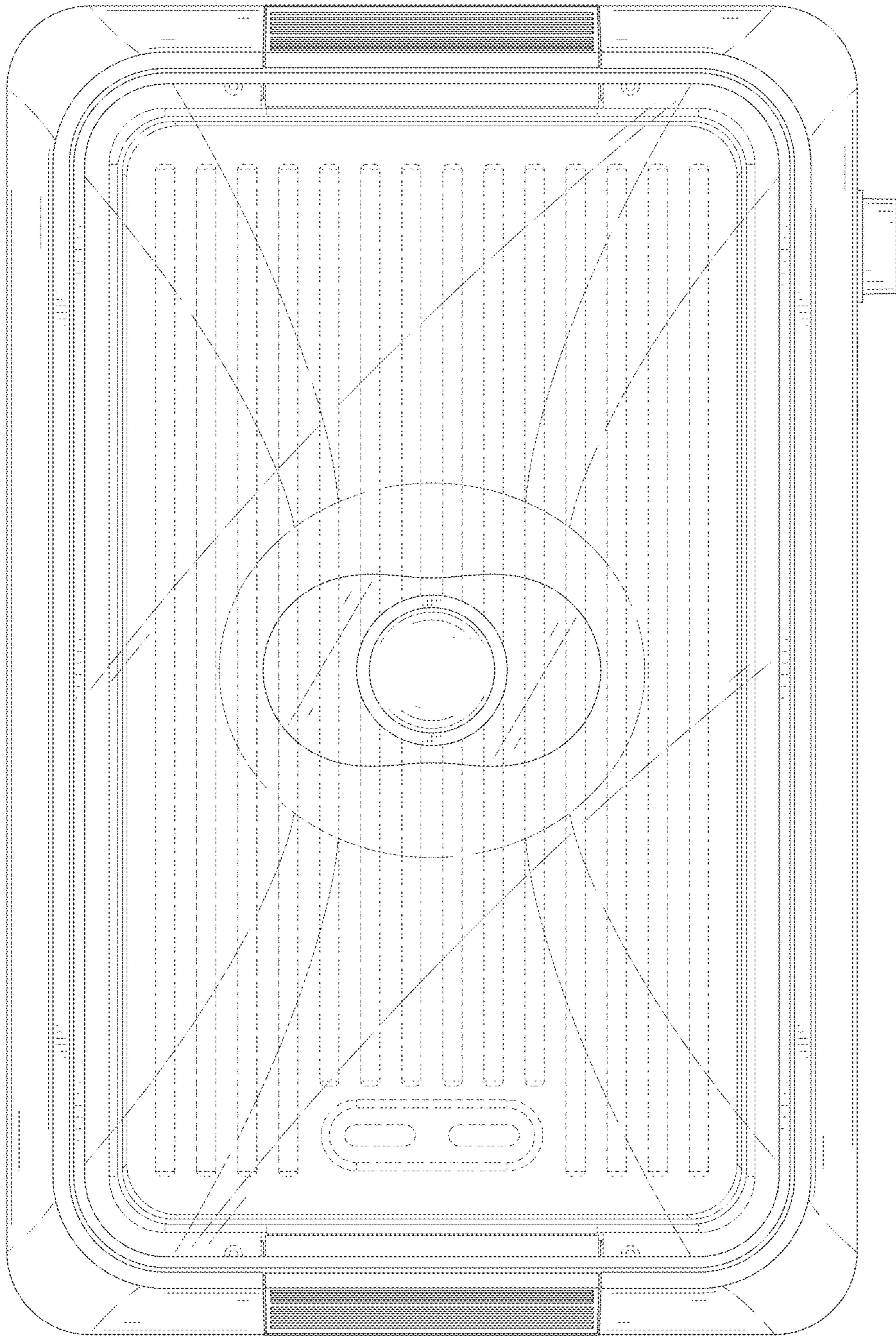


FIG. 16

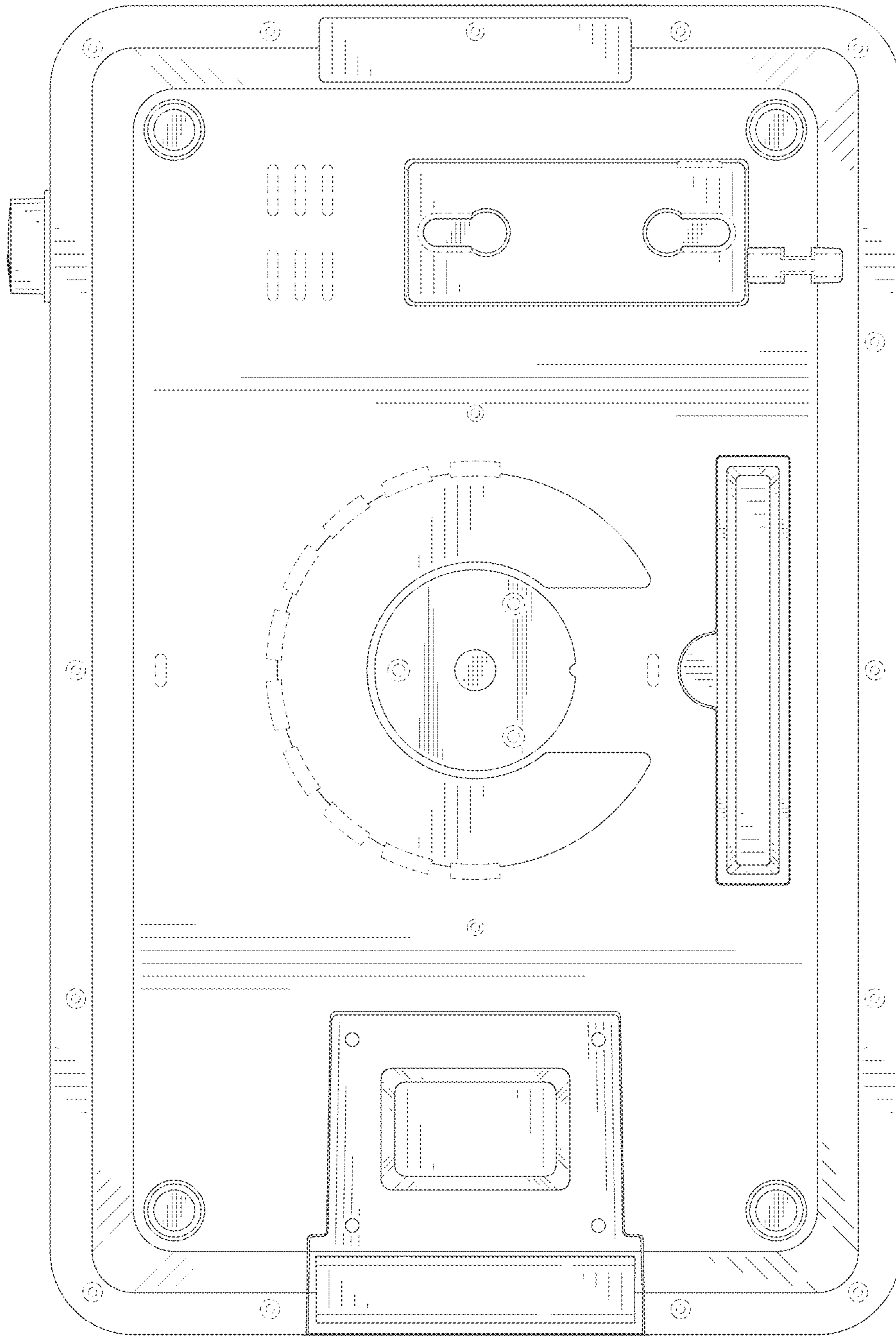


FIG. 17

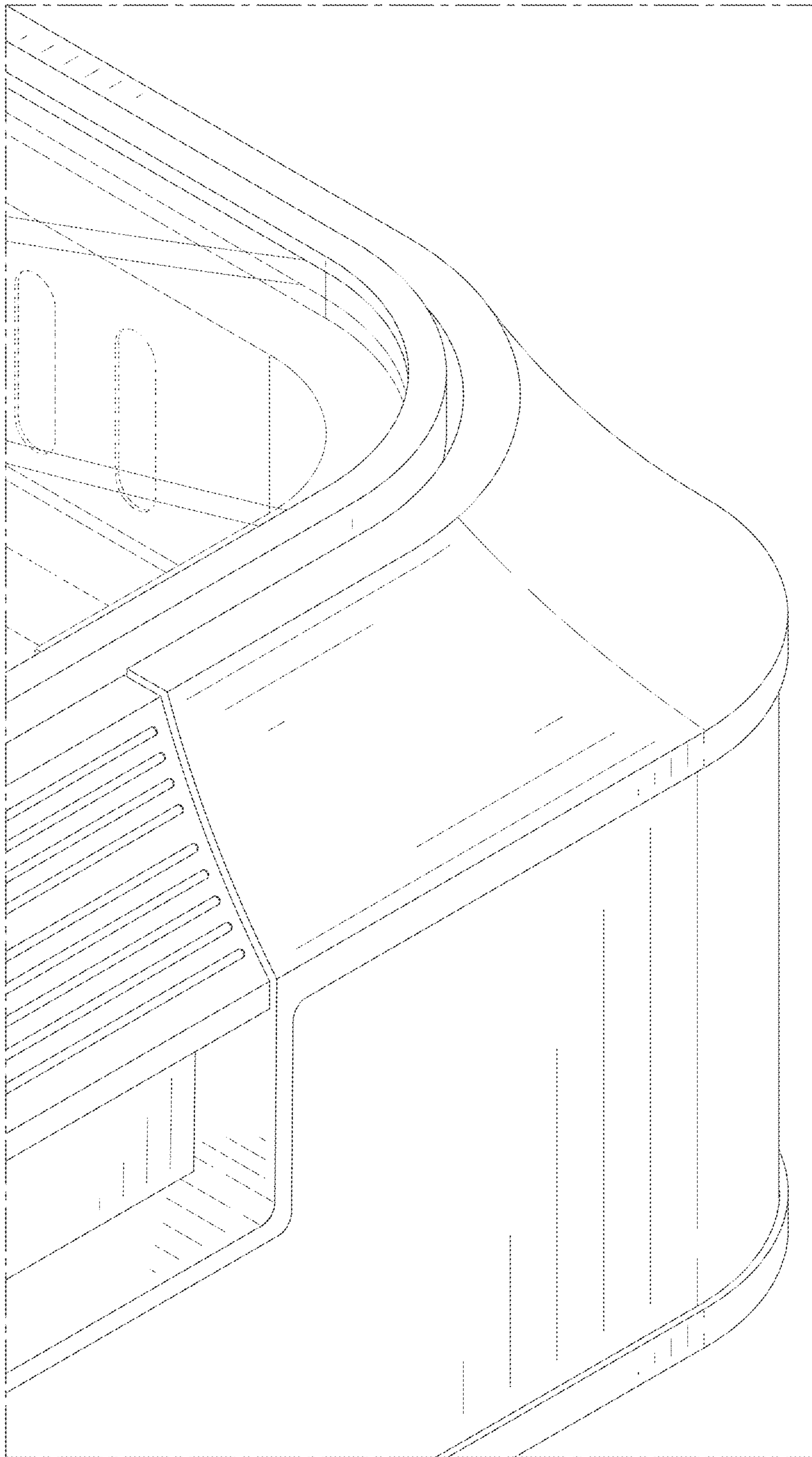


FIG. 18