



US00D988779S

(12) **United States Design Patent**
Khubani et al.

(10) **Patent No.:** **US D988,779 S**
(45) **Date of Patent:** **** Jun. 13, 2023**

(54) **COOKER**

(71) Applicant: **DaVinci II CSJ, LLC**, Fairfield, NJ
(US)

(72) Inventors: **Ajit Khubani**, Saddle River, NJ (US);
Mohan Rajasekaran, Watertown, CT
(US)

(73) Assignee: **DaVinci II CSJ, LLC**, Fairfield, NJ
(US)

(**) Term: **15 Years**

(21) Appl. No.: **29/813,897**

(22) Filed: **Nov. 2, 2021**

(51) **LOC (14) Cl.** **07-02**

(52) **U.S. Cl.**
USPC **D7/354**

(58) **Field of Classification Search**
USPC D7/323, 352, 354, 355, 356, 357, 358,
D7/359, 360, 361, 362, 363, 364, 365,
D7/366, 391, 393, 394, 395, 402;
D3/304; D9/736, 749, 755, 758, 760,
D9/456

CPC .. A21B 3/00; A21B 3/13; A21B 3/131; A21B
3/132; A21B 3/135; A21B 3/136; A21B
3/137; A47J 29/00; A47J 29/02; A47J
29/06; A47J 36/00; A47J 36/02; A47J
36/06; A47J 36/16; A47J 36/24; A47J
36/022; A47J 36/027; A47J 37/00; A47J
37/01; A47J 37/04; A47J 37/06; A47J
37/10; A47J 37/07

See application file for complete search history.

(56) **References Cited**

U.S. PATENT DOCUMENTS

D216,271 S 12/1969 Swett et al.
4,853,509 A * 8/1989 Murakami A47J 36/027
426/243
D381,553 S * 7/1997 Candianides D7/354

6,325,234 B1 12/2001 Legaspi
D493,677 S 8/2004 Meyer
D517,857 S * 3/2006 Poon D7/356
D545,614 S * 7/2007 Kim D7/357
D552,922 S * 10/2007 Dallaire D7/354
D557,550 S 12/2007 Abbo
D598,700 S * 8/2009 Seymour D7/354

(Continued)

FOREIGN PATENT DOCUMENTS

GB 6205717 * 5/2022

OTHER PUBLICATIONS

Yummy Can Bacon 2 Pack, announced Aug. 15, 2022 [online],
retrieved Feb. 9, 2023, retrieved from internet, https://www.amazon.com/Yummy-Can-Bacon-Microwave-Splatter-Proof/dp/B0B9QFJMLH?ref_ast_sto_dp.*

(Continued)

Primary Examiner — Messina L Smith

(74) *Attorney, Agent, or Firm* — Wolf, Greenfield &
Sacks, P.C.

(57) **CLAIM**

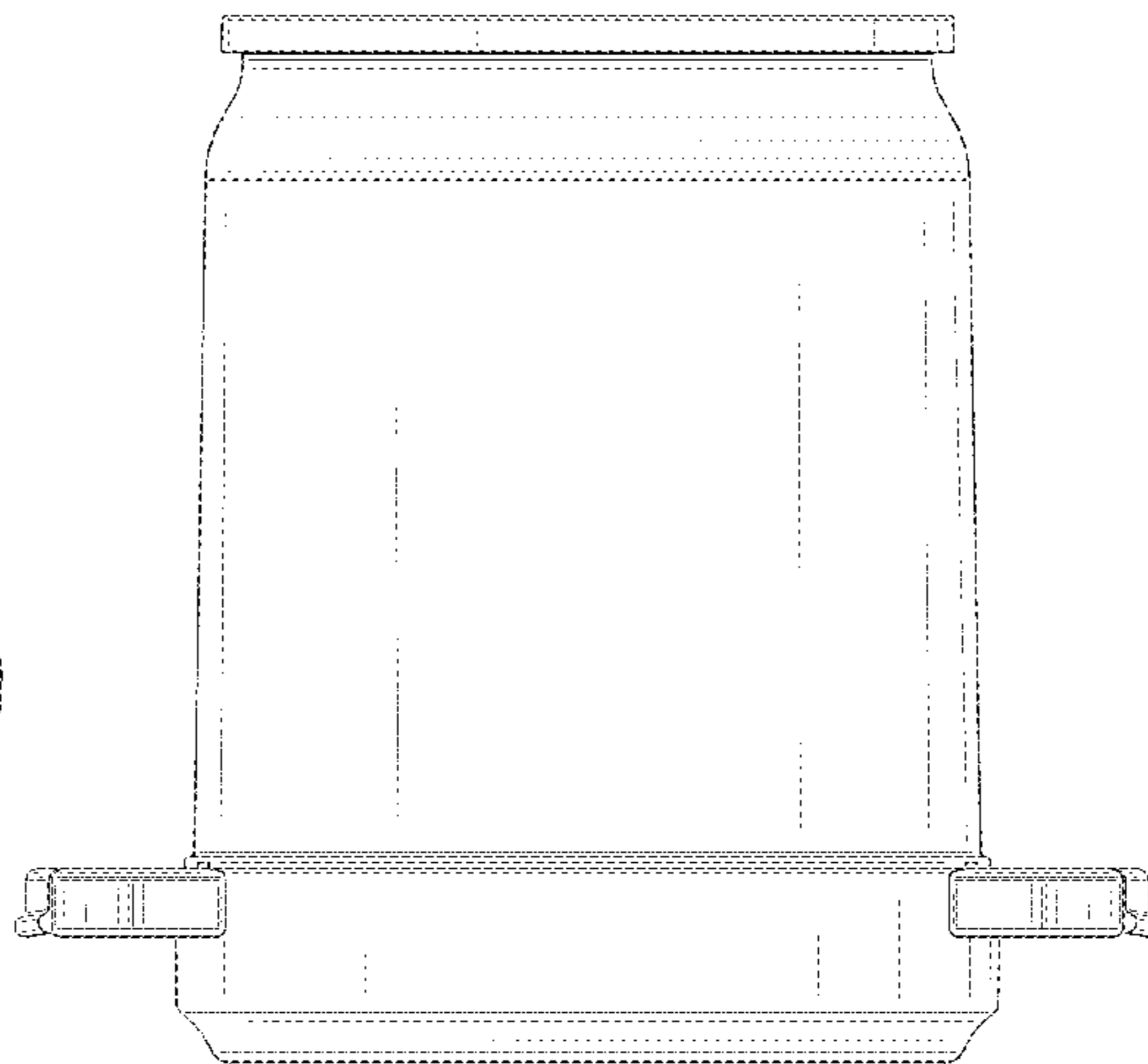
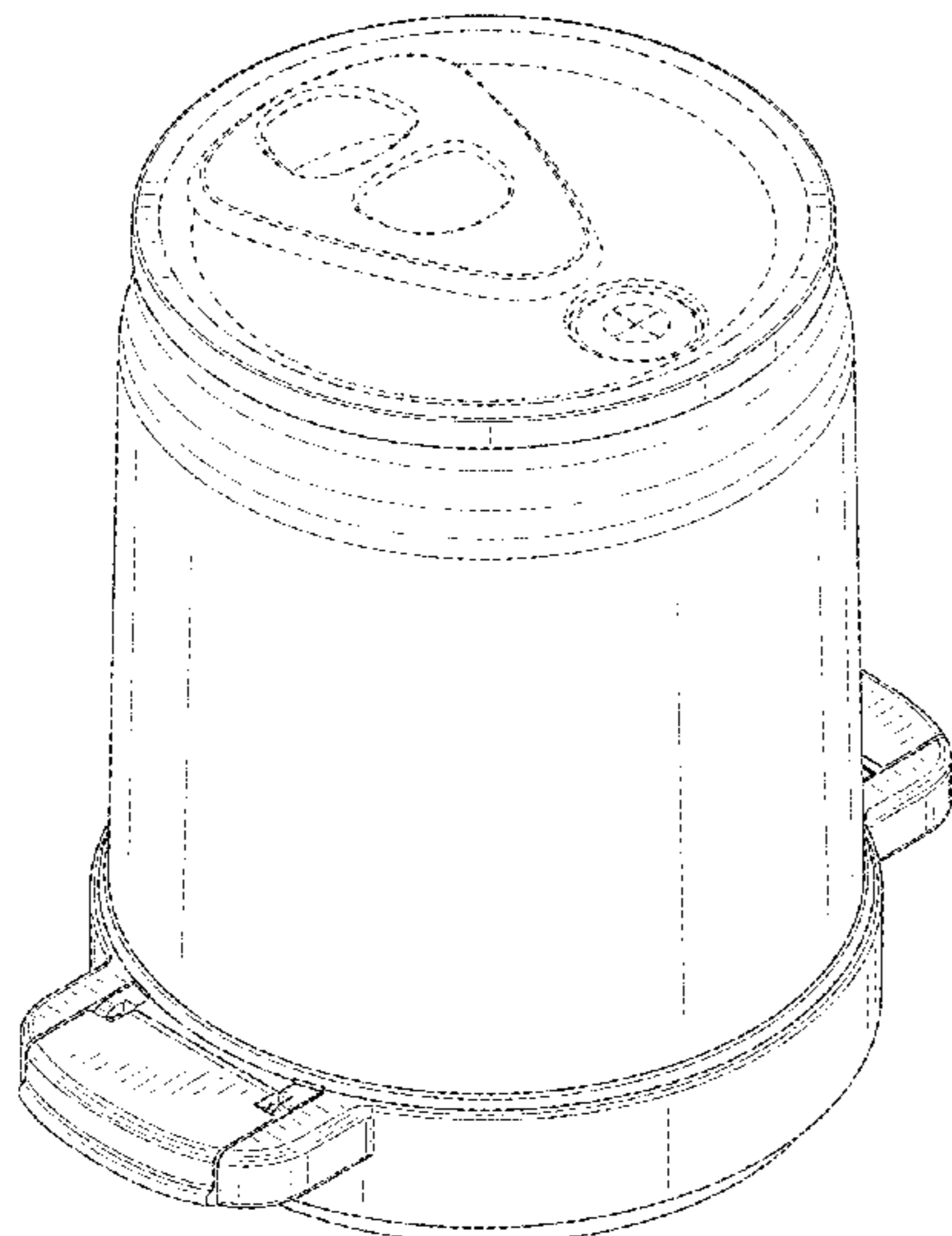
The ornamental design for a cooker, as shown and described.

DESCRIPTION

FIG. 1 is a front, top left side perspective view of a cooker showing the new design;
FIG. 2 is a left side elevation view thereof;
FIG. 3 is a right side elevation view thereof;
FIG. 4 is a front elevation view thereof;
FIG. 5 is a rear elevation view thereof;
FIG. 6 is a top plan view thereof; and,
FIG. 7 is a bottom plan view thereof.

The long dash-short dash broken lines represent boundaries of the claimed design and form no part thereof. All other broken lines represent portions of the cooker that form no part of the claimed design.

1 Claim, 7 Drawing Sheets



(56)

References Cited

U.S. PATENT DOCUMENTS

D600,066	S	*	9/2009	Seymour	D7/354
D611,758	S	*	3/2010	Seymour	D7/354
D853,173	S	*	7/2019	Bucklew	D7/357
D854,382	S		7/2019	Bennett		
D854,870	S	*	7/2019	Graves	D7/332
D901,227	S	*	11/2020	Zeng	D7/350.1
D917,237	S		4/2021	Bennett		
D926,578	S	*	8/2021	Kim	D9/456
D961,987	S	*	8/2022	Farshadi	D7/354
D974,101	S	*	1/2023	Hawkins	D7/354
2022/0265086	A1		8/2022	Kerr		

OTHER PUBLICATIONS

Yummy Can Bacon, announced Jul. 24, 2022 [online], retrieved Feb. 9, 2023, retrieved from internet, <https://www.walmart.com/ip/Yummy-Can-Bacon-As-Seen-on-TV-Make-Crispy-Healthy-Bacon-in-Your-Microwave/620187900>.*

Yummy Can Bacon, announced © 2023 [online], retrieved Feb. 9, 2023, retrieved from internet, <https://www.yummycanbacon.com/>.*

We Tested Nearly a Dozen Microwave Bacon Cookers, announced Jan. 23, 2022 [online], retrieved Feb. 9, 2023, retrieved from internet, <https://www.thekitchn.com/microwave-bacon-cookers-22987245>.*

Microwave Bacon Cooker with Lid, announced Feb. 21, 2022 [online], retrieved Feb. 9, 2023, retrieved from internet, <https://www.amazon.com/Microwave-Bacon-Cooker-Lid-Eliminating/dp/B09T789882>.*

[No Author Listed], MineDecor 24 Cupcake Carrier Cake Carrier Holder Portable 3 Tier Cupcake Transporter Box Muffin Container with Locking Lid and Handle for Pie Cookies (Pink). Amazon. <https://www.amazon.sa/-/en/MineDecor-Cupcake-Portable-Transporter-Container/dp/B07MTVMYND> [last accessed Nov. 28, 2022], 5 pages.

[No Author Listed], Plastic Cake Box Round Cake Packaging Boxes Transparent Organizer for Home Dessert Shop (Pink, Double-layer) (6inch). Walmart. https://www.walmart.com/ip/Plastic-Cake-Box-Round-Cake-Packaging-Boxes-Transparent-Organizer-for-Home-Dessert-Shop-Pink-Double-layer-6inch/1629294823?wrlspartner=wIpa&selectedSellerId=101118004&adid=222222222700000000&w10=&w11=g&w12=c&w13=42423897272&w14=pla-51320962143&w15=9011791&w16=&w17=&w18=&w19=pla&w110=528979255&w111=online&w112=1629294823&veh=sern&gclid=CjwKCAiAjs2bBbACEjwALTBWZcitWgsSOlxMWTmbALhoe0hGbwkYNNvCf9JtaMvCUMYVT21B-TgfjRoCtmEQAvD_BwE [last accessed Nov. 28, 2022], 6 pages.

[No Author Listed], Tupperware Pie or Cake Carrier Taker Vintage 10 Inch. Etsy. https://www.etsy.com/listing/930703901/tupperware-pie-or-cake-carrier-taker?ga_order=most_relevant&ga_search_type=all&ga_view_type=gallery&ga_search_query=1all+cake+carrier&ref=sr_gallery-1-3&sts=1&organic_search_click=1 [last accessed Nov. 28, 2022], 9 pages.

* cited by examiner

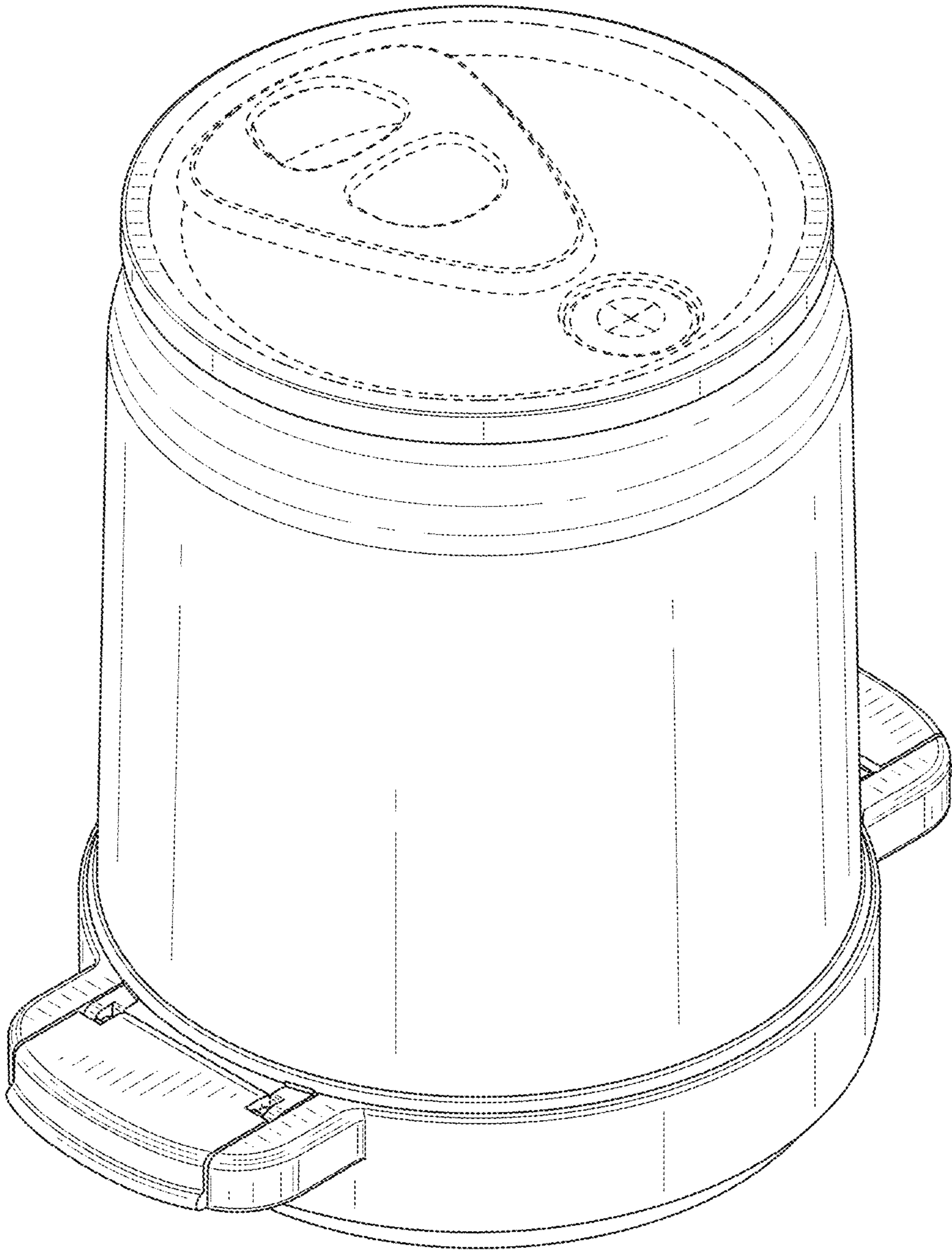


FIG. 1

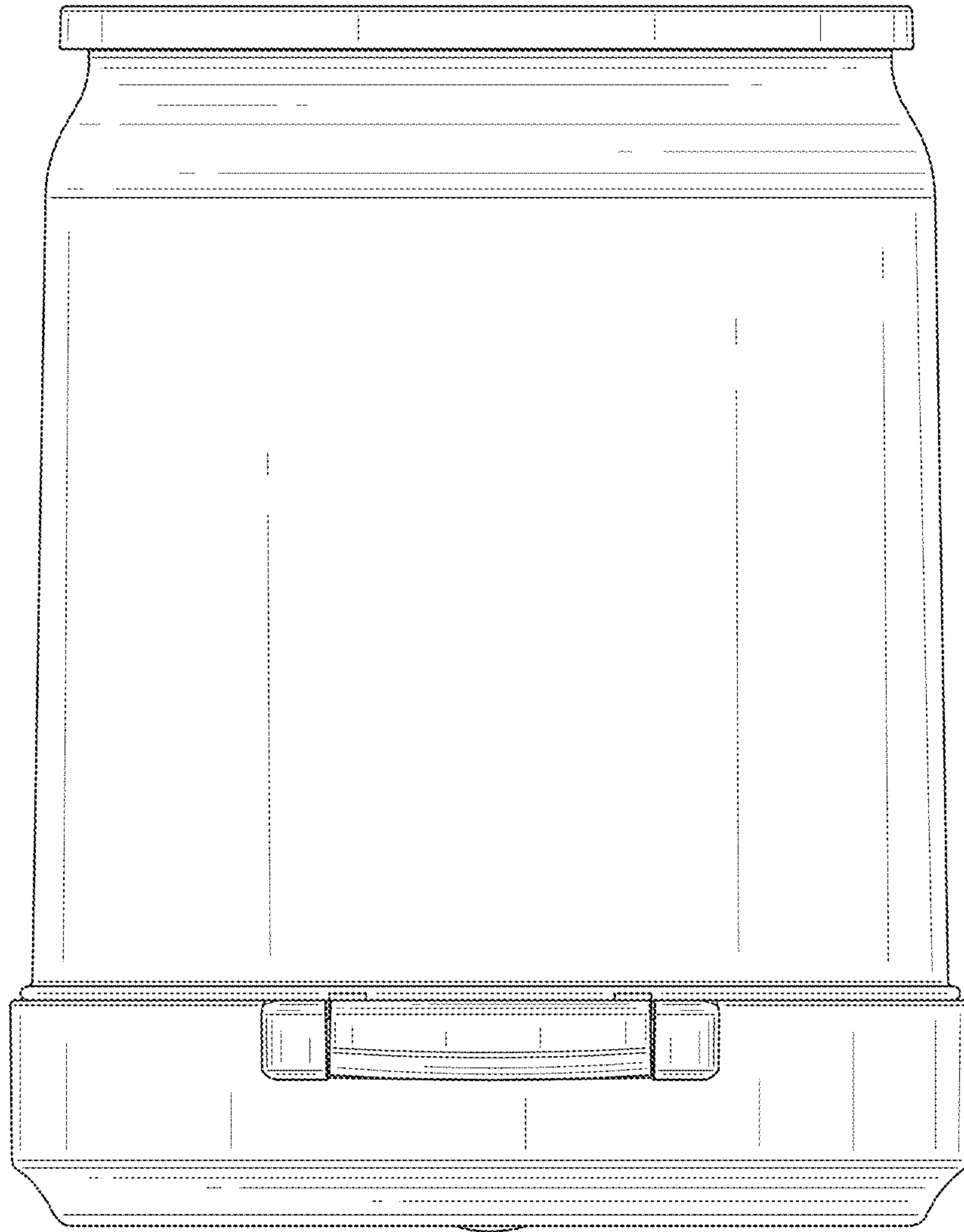


FIG. 2

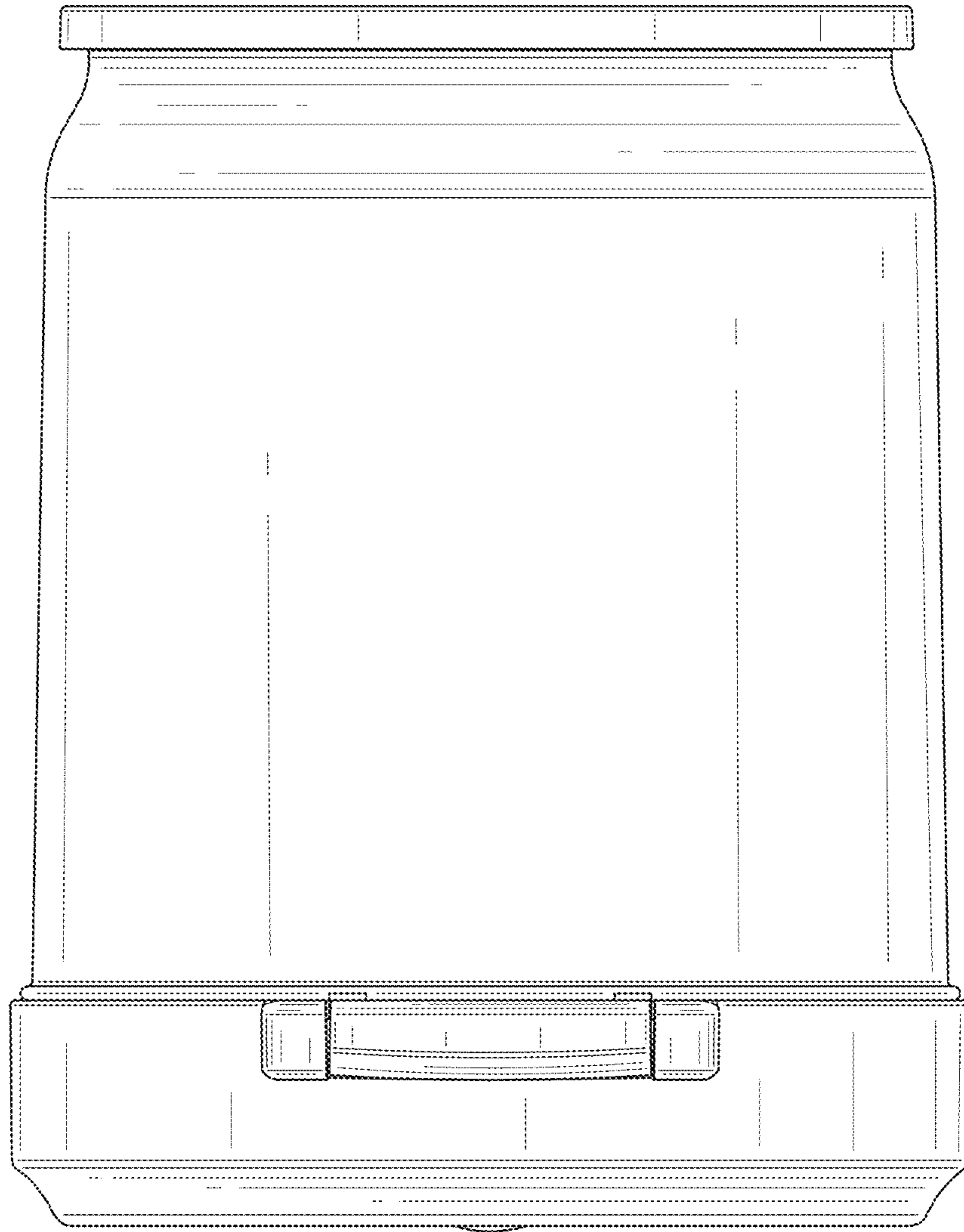


FIG. 3

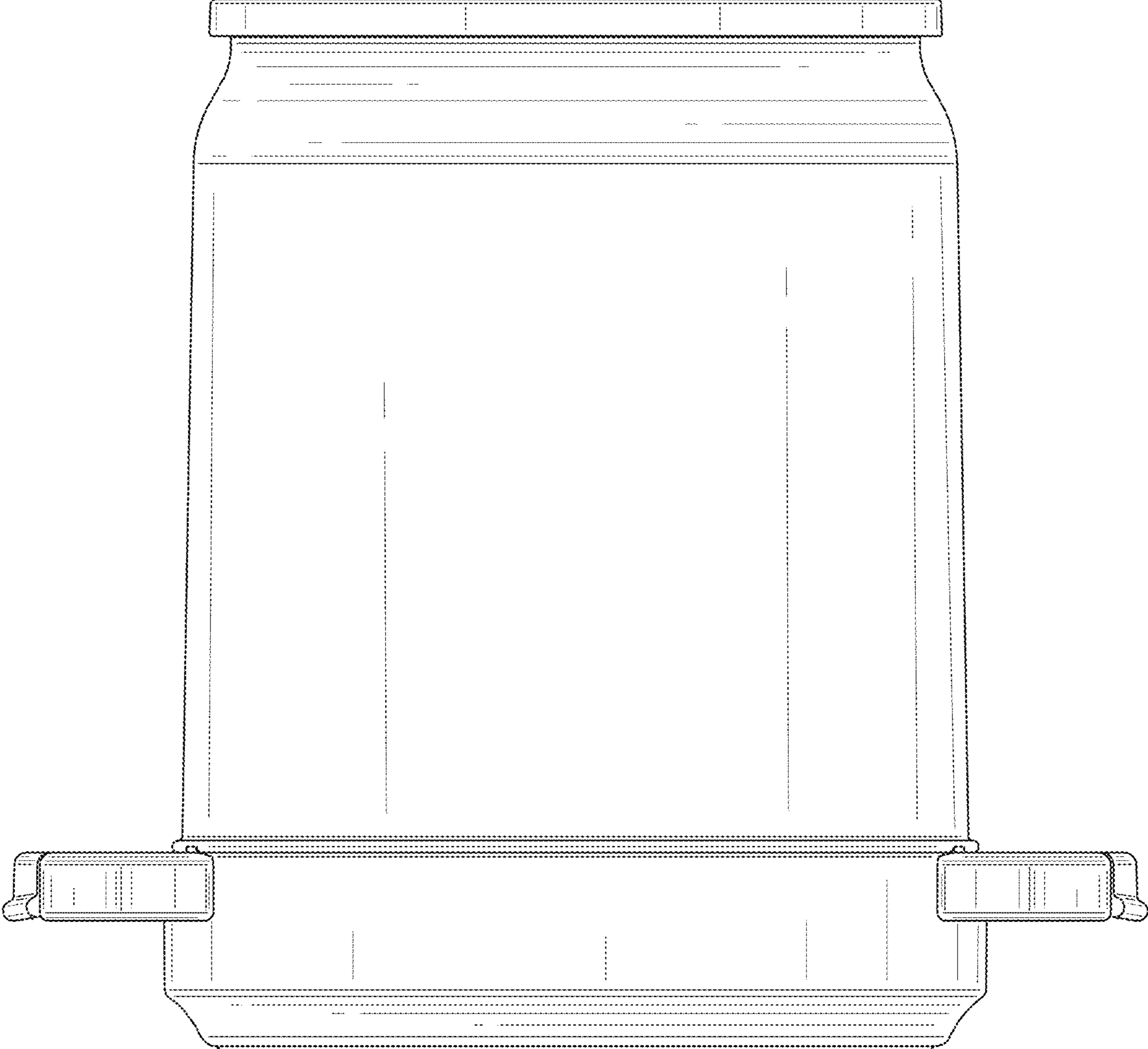


FIG. 4

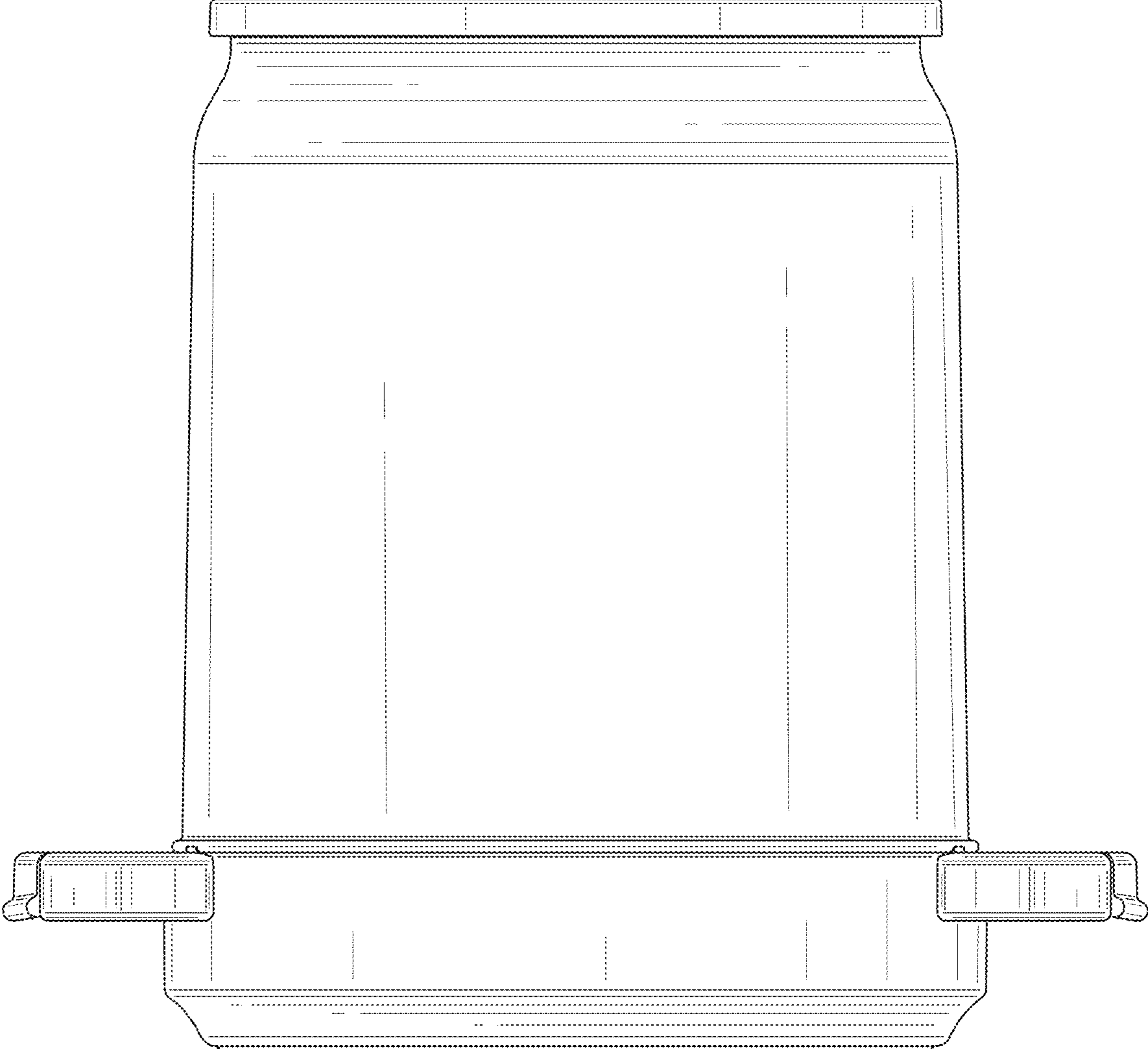


FIG. 5

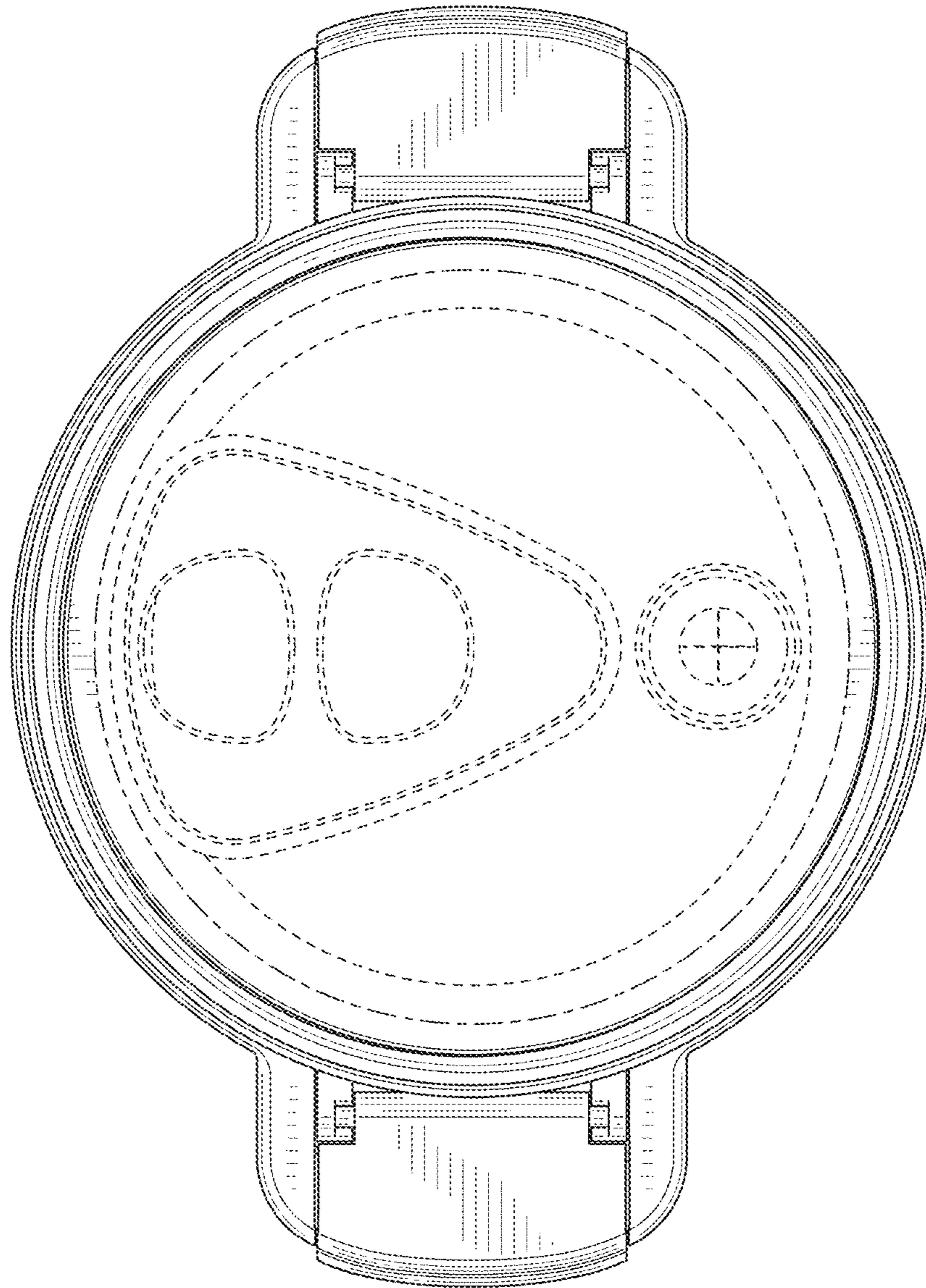


FIG. 6

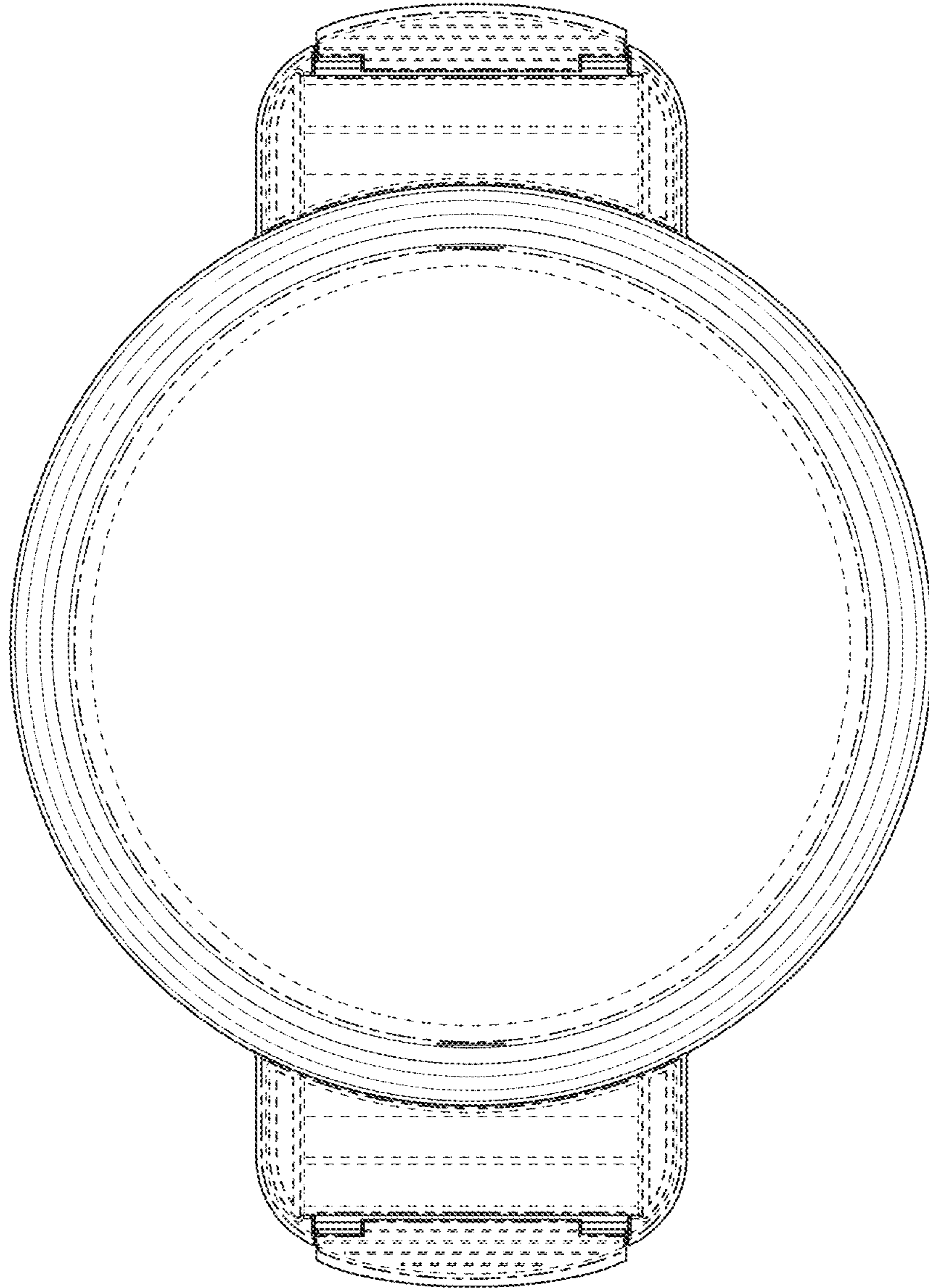


FIG. 7