



US00D988778S

(12) **United States Design Patent**
Tu

(10) **Patent No.:** **US D988,778 S**

(45) **Date of Patent:** **** Jun. 13, 2023**

(54) **MULTIMODE COOKER**

(71) Applicant: **SharkNinja Operating LLC**,
Needham, MA (US)

(72) Inventor: **Joyce Chien Tu**, Melrose, MA (US)

(73) Assignee: **SharkNinja Operating LLC**,
Needham, MA (US)

(**) Term: **15 Years**

(21) Appl. No.: **29/806,542**

(22) Filed: **Sep. 3, 2021**

(51) **LOC (14) Cl.** **07-02**

(52) **U.S. Cl.**
USPC **D7/360; D7/354; D7/358**

(58) **Field of Classification Search**
USPC D7/323, 354-361
CPC .. A47J 27/00; A47J 27/04; A47J 27/05; A47J
27/08; A47J 27/0806; A47J 27/09; A47J
27/092; A47J 36/025; A47J 36/06; A47J
36/08; A47J 36/10; A47J 36/12; A47J
37/12; A47J 37/1204; A47J 37/1209;
H05B 6/02; H05B 6/06; H05B 6/12;
A21B 1/26

See application file for complete search history.

(56) **References Cited**

U.S. PATENT DOCUMENTS

D382,767 S * 8/1997 Lien D7/360
D802,987 S * 11/2017 Corlay D7/354

D854,875 S * 7/2019 Tan D7/354
D861,411 S * 10/2019 Huang D7/354
D899,178 S * 10/2020 Ye D7/354
D910,365 S * 2/2021 Qin D7/358
D910,366 S * 2/2021 Corlay D7/358
D927,919 S * 8/2021 Wang D7/358
D961,987 S * 8/2022 Farshadi D7/354
D963,397 S * 9/2022 Tan D7/358
2021/0000292 A1 * 1/2021 Siu A21B 1/26
2021/0121013 A1 * 4/2021 Elliston A47J 27/0806

* cited by examiner

Primary Examiner — Ricky Pham

(74) *Attorney, Agent, or Firm* — Mintz Levin Cohn Ferris
Glovsky and Popeo, PC

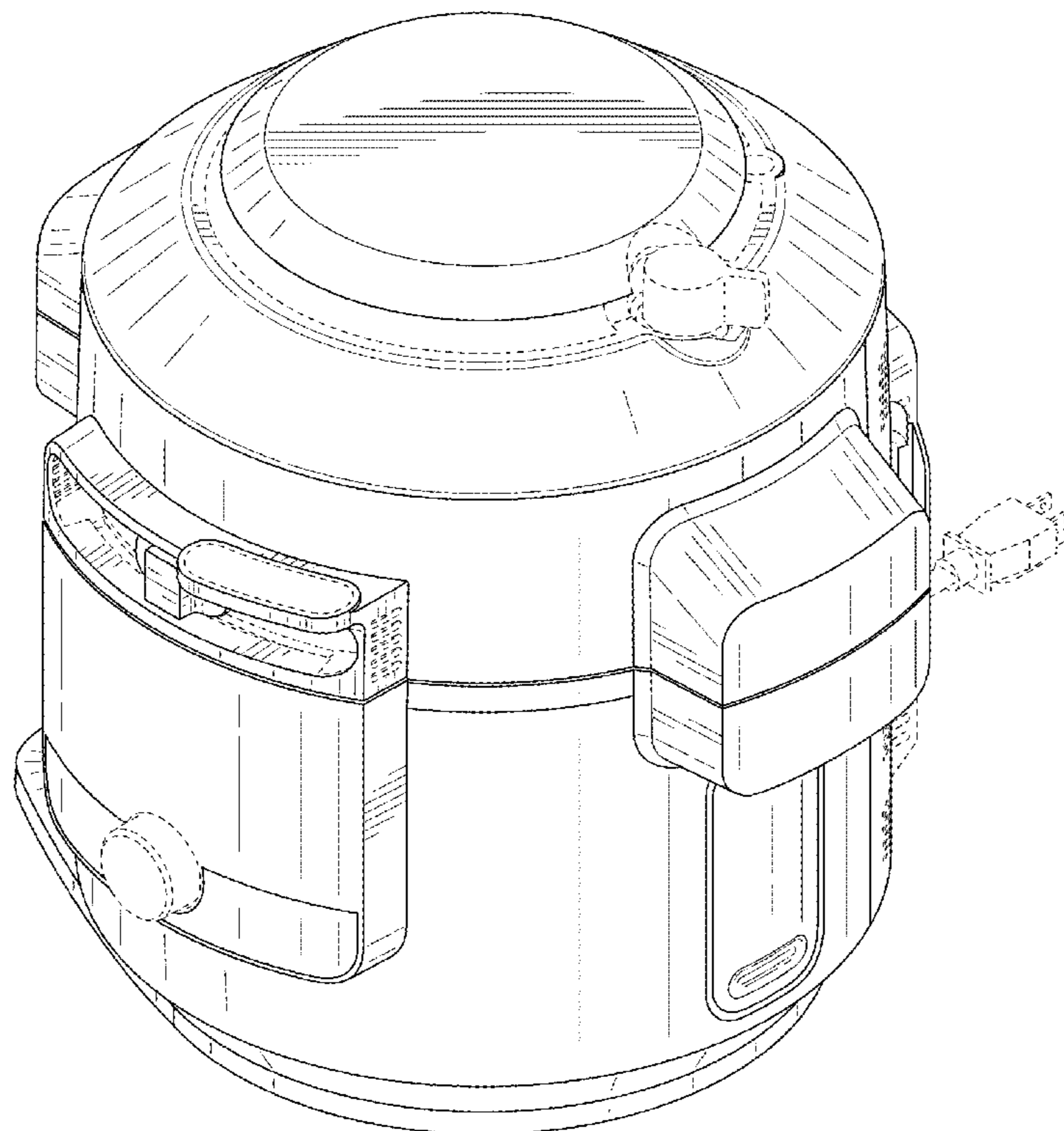
(57) **CLAIM**

The ornamental design for a multimode cooker, as shown
and described.

DESCRIPTION

FIG. 1 is a front perspective view of one embodiment of a
multimode cooker;
FIG. 2 is a front view thereof;
FIG. 3 is a back view thereof;
FIG. 4 is a left side view thereof;
FIG. 5 is a right side view thereof;
FIG. 6 is a top view thereof; and,
FIG. 7 is a bottom view thereof.
The broken lines illustrate features of the multimode cooker
that form no part of the claimed design.

1 Claim, 7 Drawing Sheets



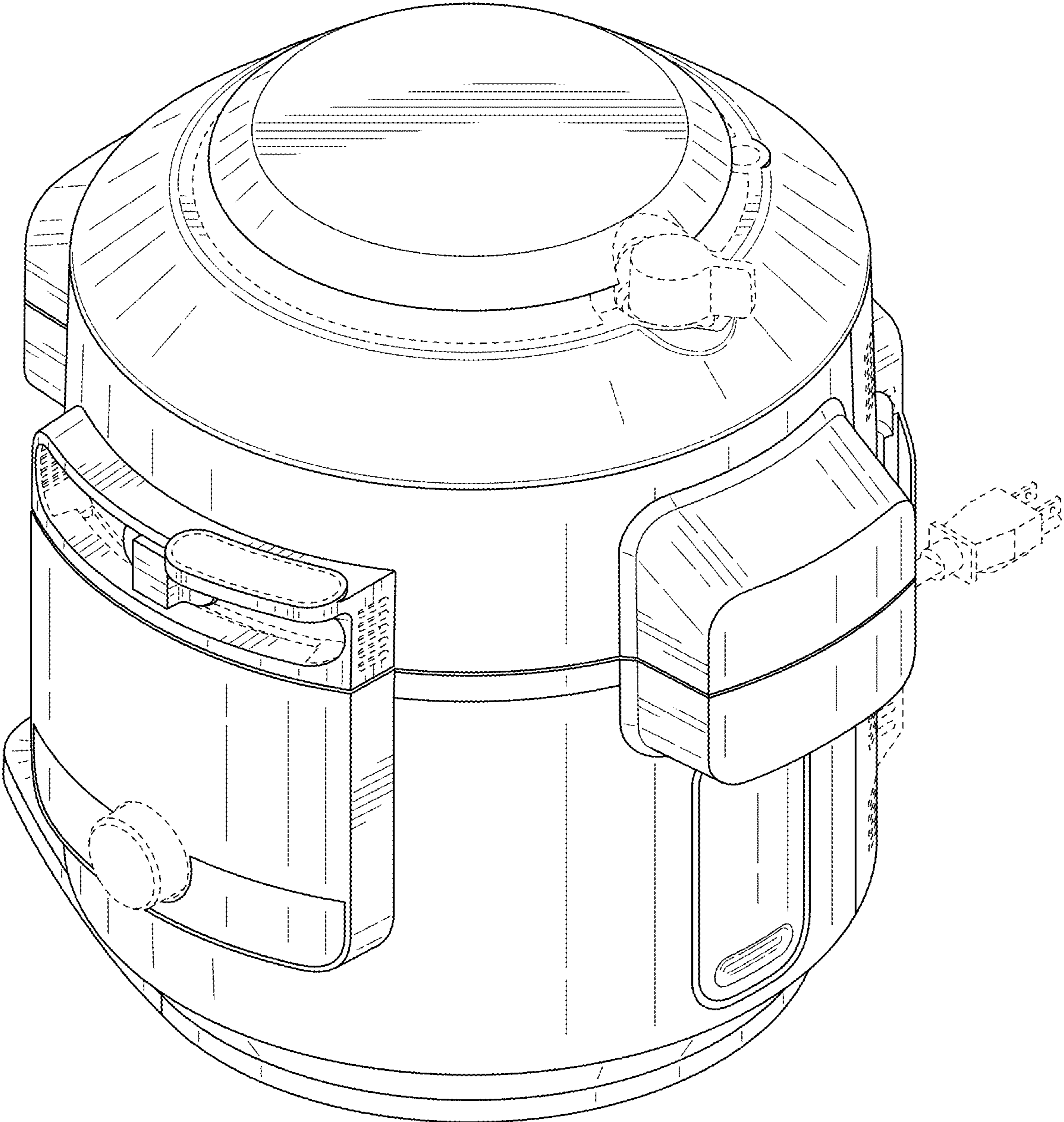


FIG. 1

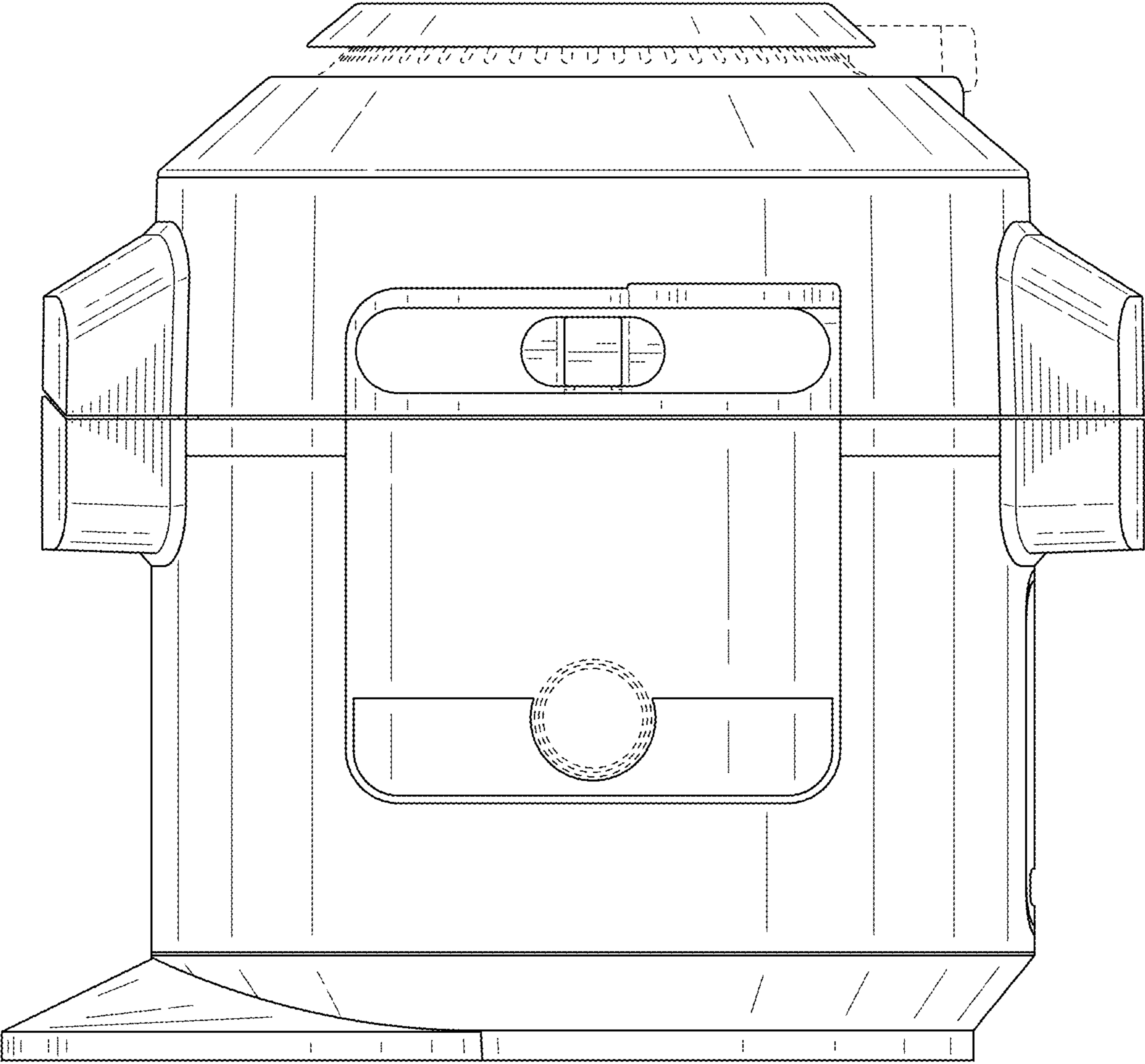


FIG. 2

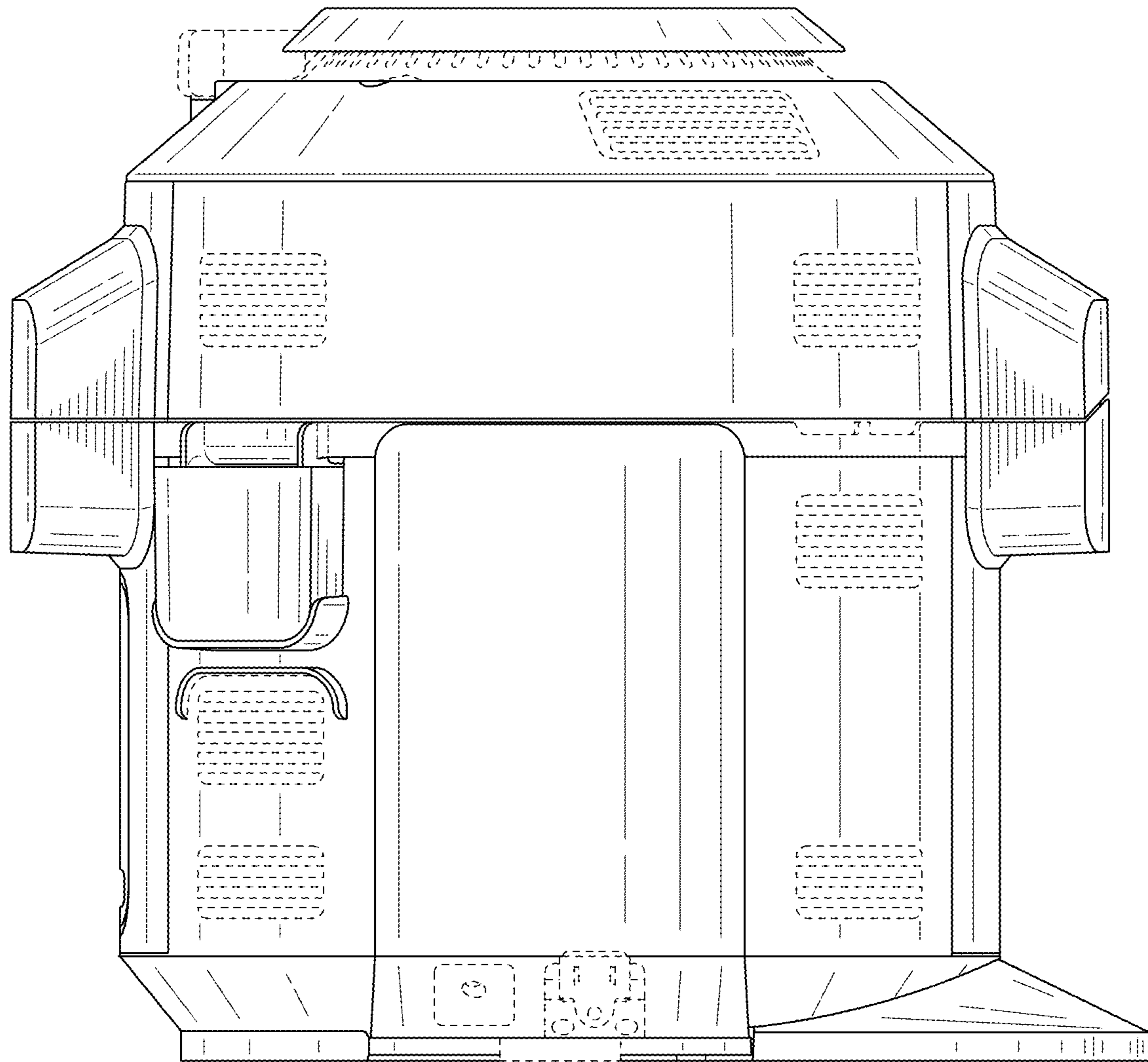


FIG. 3

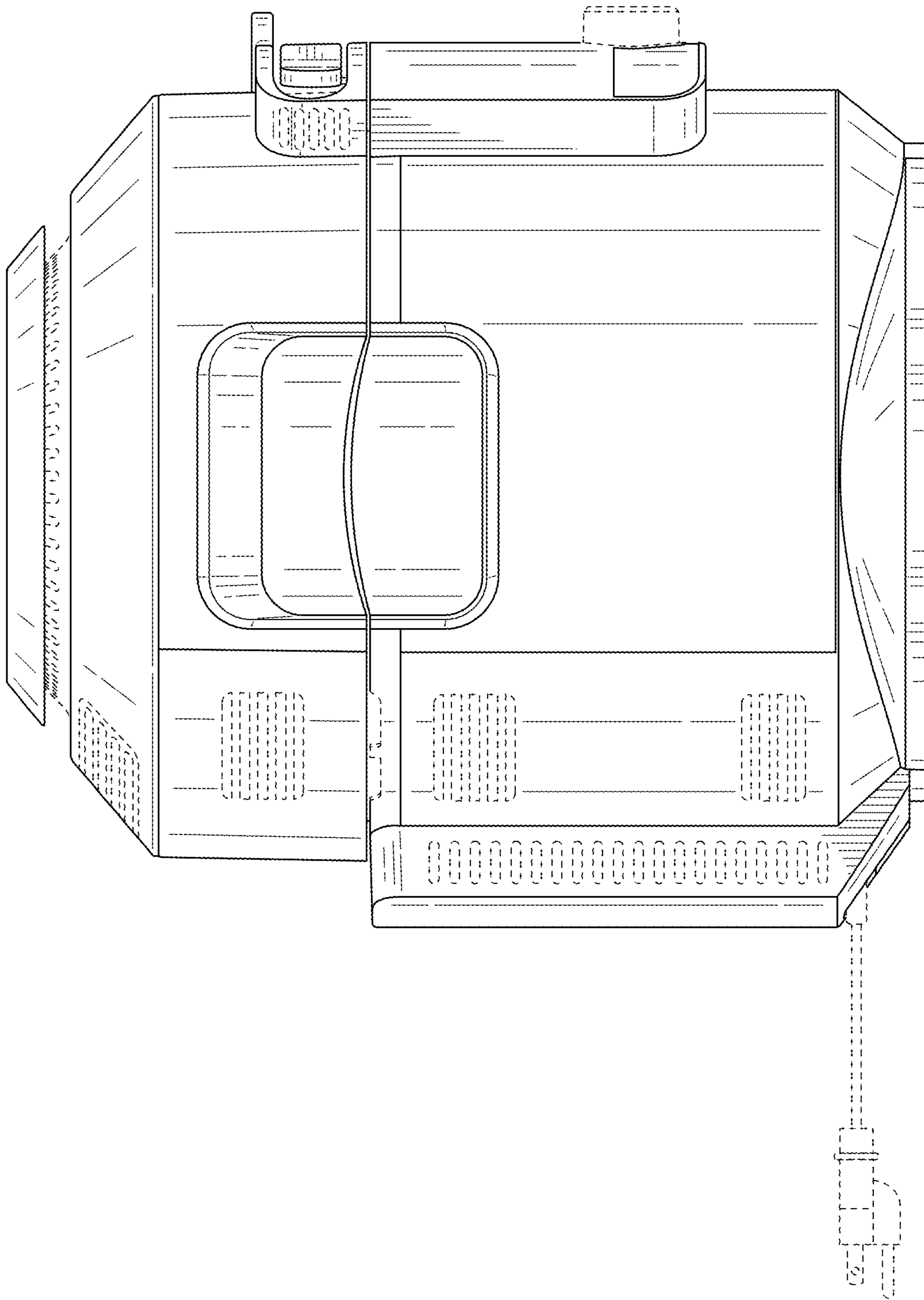


FIG. 4

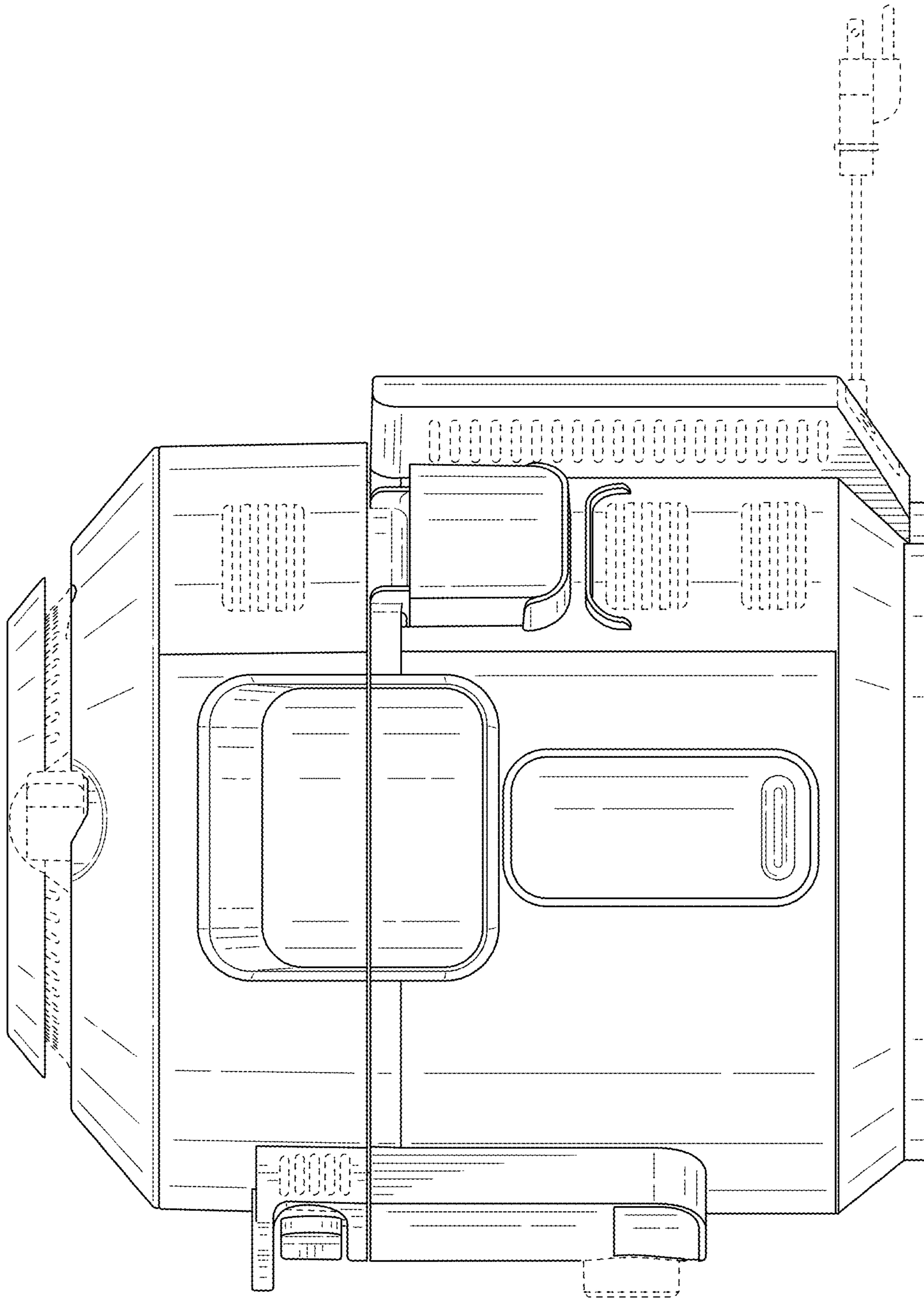


FIG. 5

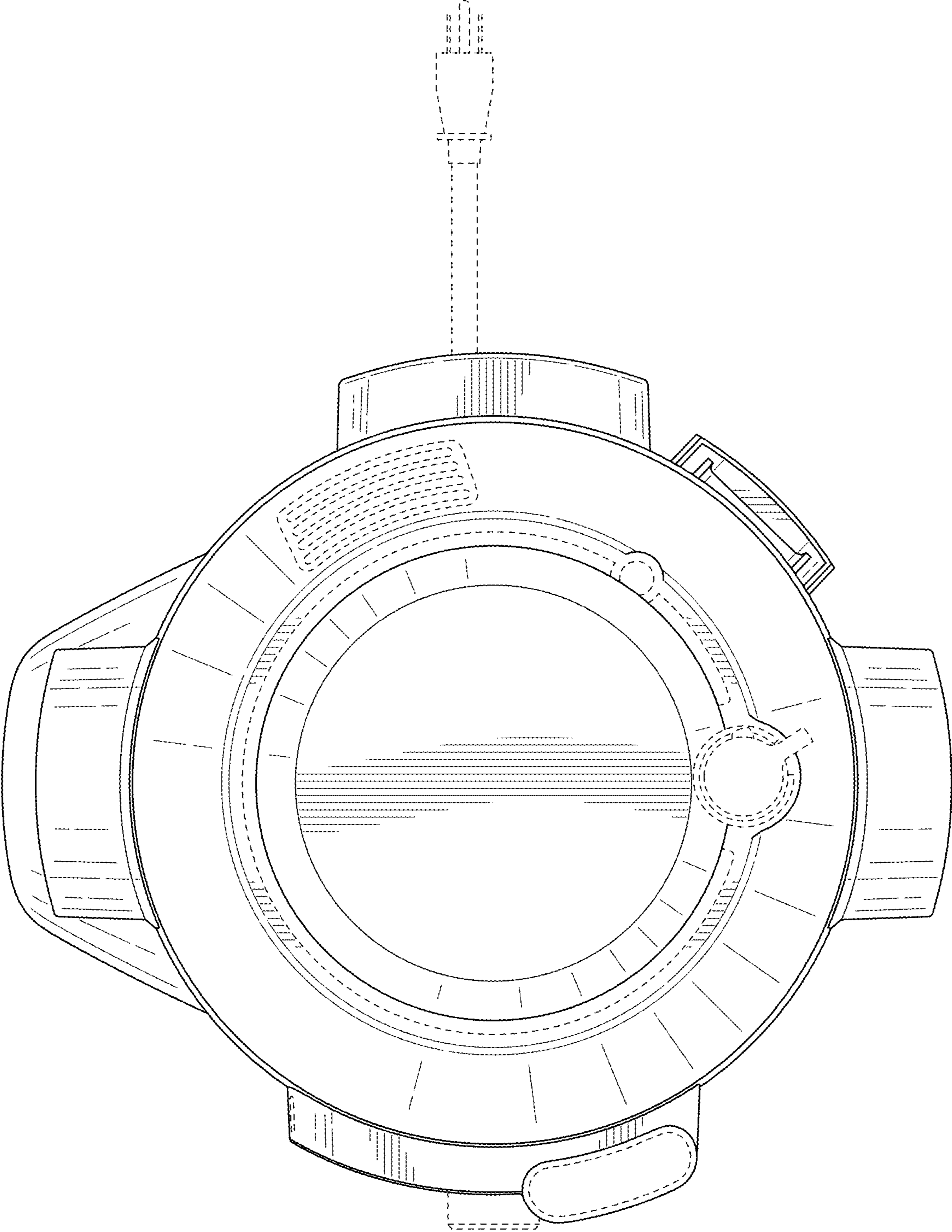


FIG. 6

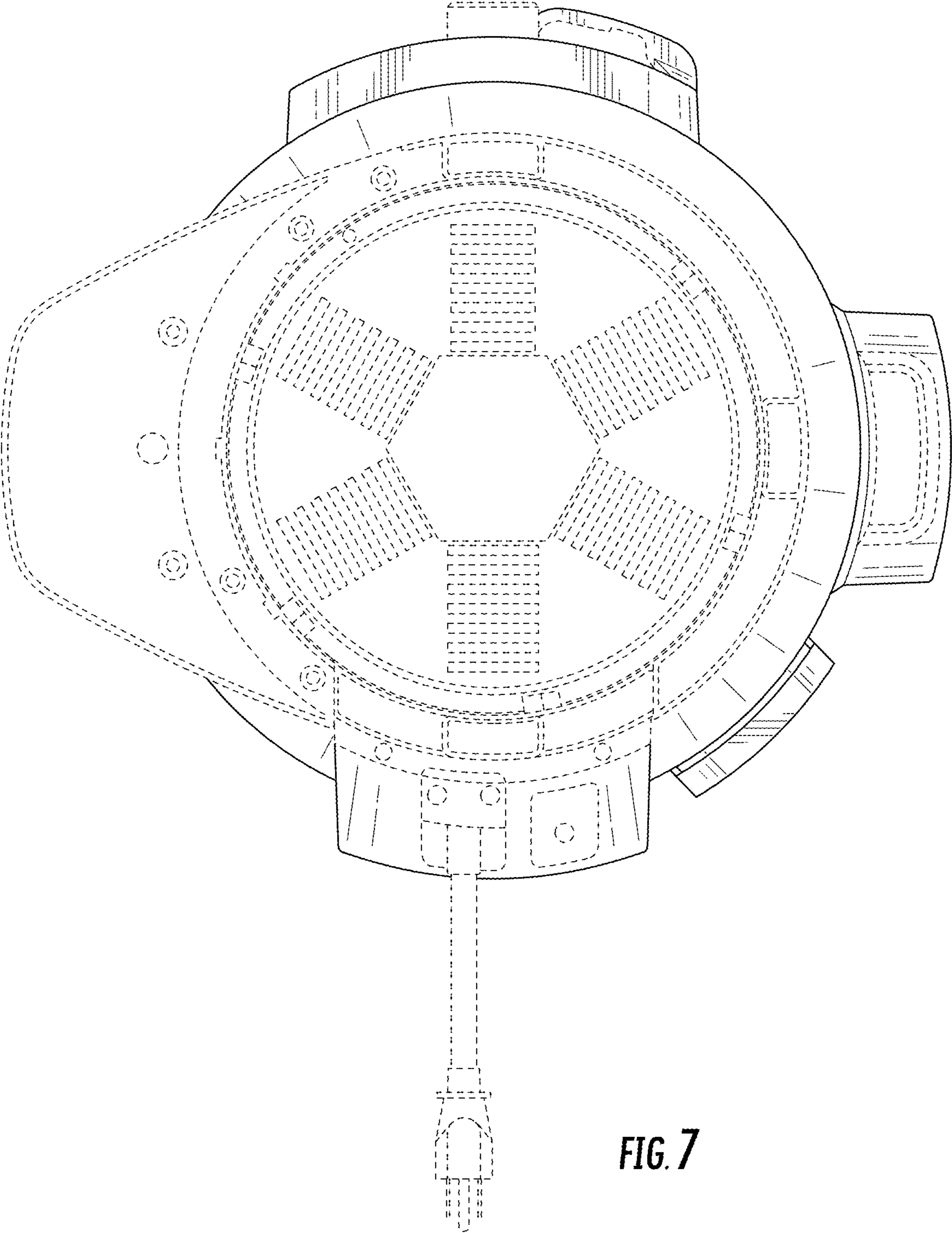


FIG. 7