



US00D988776S

(12) **United States Design Patent** (10) **Patent No.:** **US D988,776 S**  
**Ye** (45) **Date of Patent:** **\*\* Jun. 13, 2023**

(54) **MICROWAVE OVEN**  
(71) Applicant: **Guangdong Galanz Enterprises Co., Ltd., Guangdong (CN)**  
(72) Inventor: **Shifeng Ye, Foshan (CN)**  
(73) Assignee: **Guangdong Galanz Enterprises Co., Ltd., Guangdong (CN)**  
(\*\*) Term: **15 Years**  
(21) Appl. No.: **29/771,946**  
(22) Filed: **Feb. 26, 2021**  
(51) **LOC (14) Cl.** ..... **07-02**  
(52) **U.S. Cl.**  
USPC ..... **D7/351**  
(58) **Field of Classification Search**  
USPC ..... D7/323, 332-339, 347-351, 387,  
D7/402-405; D21/523-525  
CPC ..... A47J 37/00; A47J 37/06; A47J 37/0623;  
A47J 37/0629; A47J 37/0635; A47J  
37/0641; A47J 37/0647; A47J 37/0652;  
A47J 37/0658; A47J 37/067; A47J 37/07;  
A47J 37/0704; A47J 37/0709; A47J  
37/0713; A47J 37/0763; A47J 37/0871  
See application file for complete search history.

(56) **References Cited**  
U.S. PATENT DOCUMENTS  
D606,360 S \* 12/2009 Lee ..... H05B 6/6426  
D7/351  
D704,499 S \* 5/2014 Kim ..... H05B 6/6423  
D7/351  
D764,854 S \* 8/2016 Kim ..... H05B 6/642  
D7/339  
D781,636 S \* 3/2017 Kim ..... D7/348  
D874,866 S \* 2/2020 Carcano ..... D7/348

D908,416 S \* 1/2021 Huang ..... D7/347  
D956,464 S \* 7/2022 Yun ..... D7/351  
2022/0159796 A1 \* 5/2022 Feng ..... H05B 6/642  
2022/0167472 A1 \* 5/2022 Feng ..... H05B 6/6423  
2022/0221162 A1 \* 7/2022 Feng ..... H05B 6/6426

**OTHER PUBLICATIONS**

Galanz GTWHG12S1SA10 4-in-1 ToastWave, first available Feb. 27, 2020, Amazon, [online], [site visited Sep. 29, 2022], Available from internet URL: <https://www.amazon.com/Galanz-GTWHG12S1SA10-Multifunctional-Convection-Ergonomic/dp/B0858G3T97?th=1> (Year: 2020).  
Design No. 201677, Feb. 26, 2021—Canadian Intellectual Property Office (CIPO) Publication Date—Aug. 29, 2022 Owner—Guangdong Galanz Enterprises Co Ltd WIPO, available at <https://www3.wipo.int/designdb/en/index.jsp> (Year: 2021).\*

\* cited by examiner

*Primary Examiner* — Mary Ann Calabrese  
*Assistant Examiner* — Natalya M Rapundalo  
(74) *Attorney, Agent, or Firm* — JCIPRNET

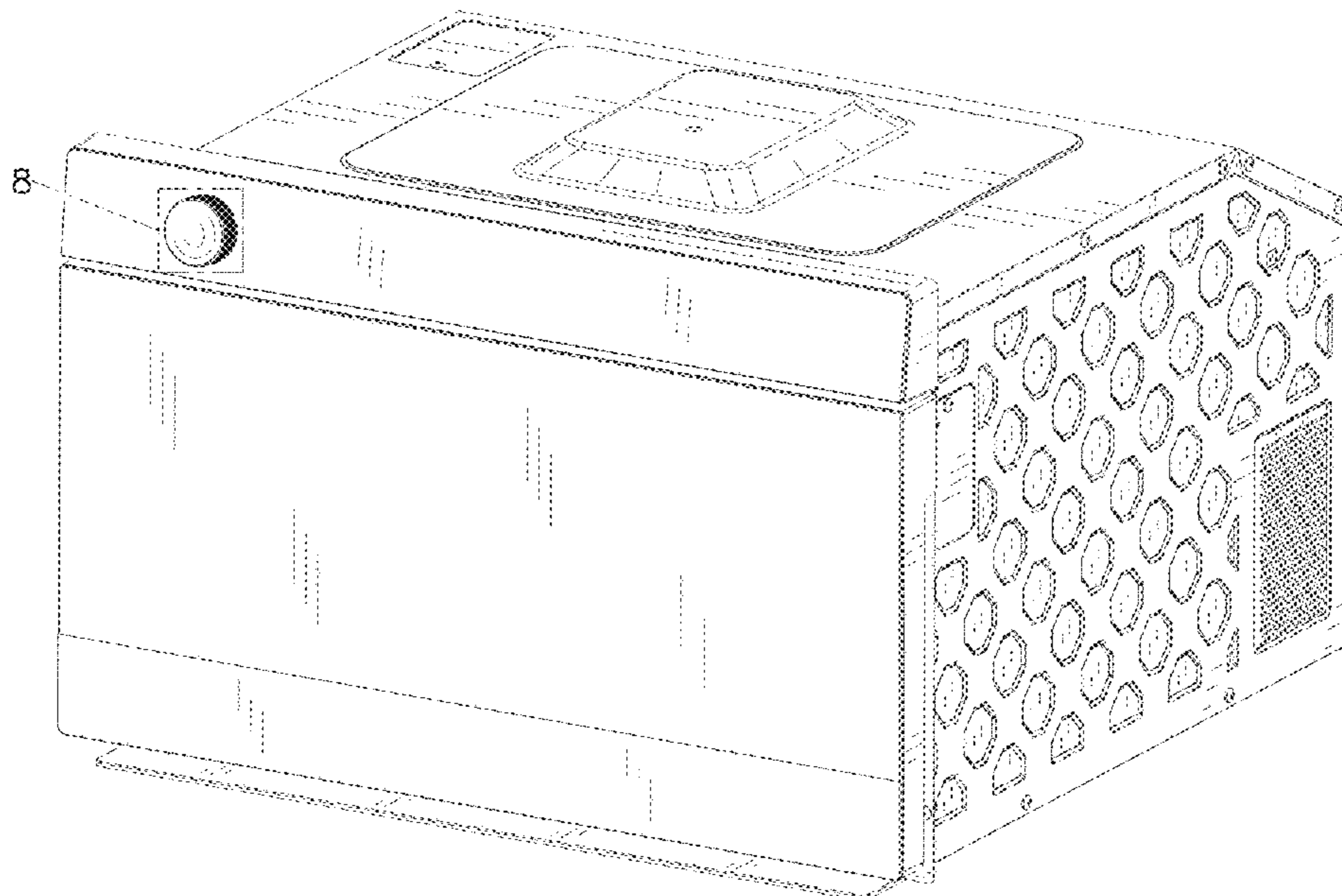
(57) **CLAIM**

The ornamental design for a microwave oven, as shown.

**DESCRIPTION**

FIG. 1 is a perspective view of a microwave oven showing my new design;  
FIG. 2 is a front view thereof;  
FIG. 3 is a rear view thereof;  
FIG. 4 is a left side view thereof;  
FIG. 5 is a right side view thereof;  
FIG. 6 is a top view thereof;  
FIG. 7 is a bottom view thereof; and,  
FIG. 8 is an enlarged view of portion 8 shown in FIG. 1.  
The broken lines illustrate portions of the microwave oven that form no part of the claimed design.

**1 Claim, 8 Drawing Sheets**



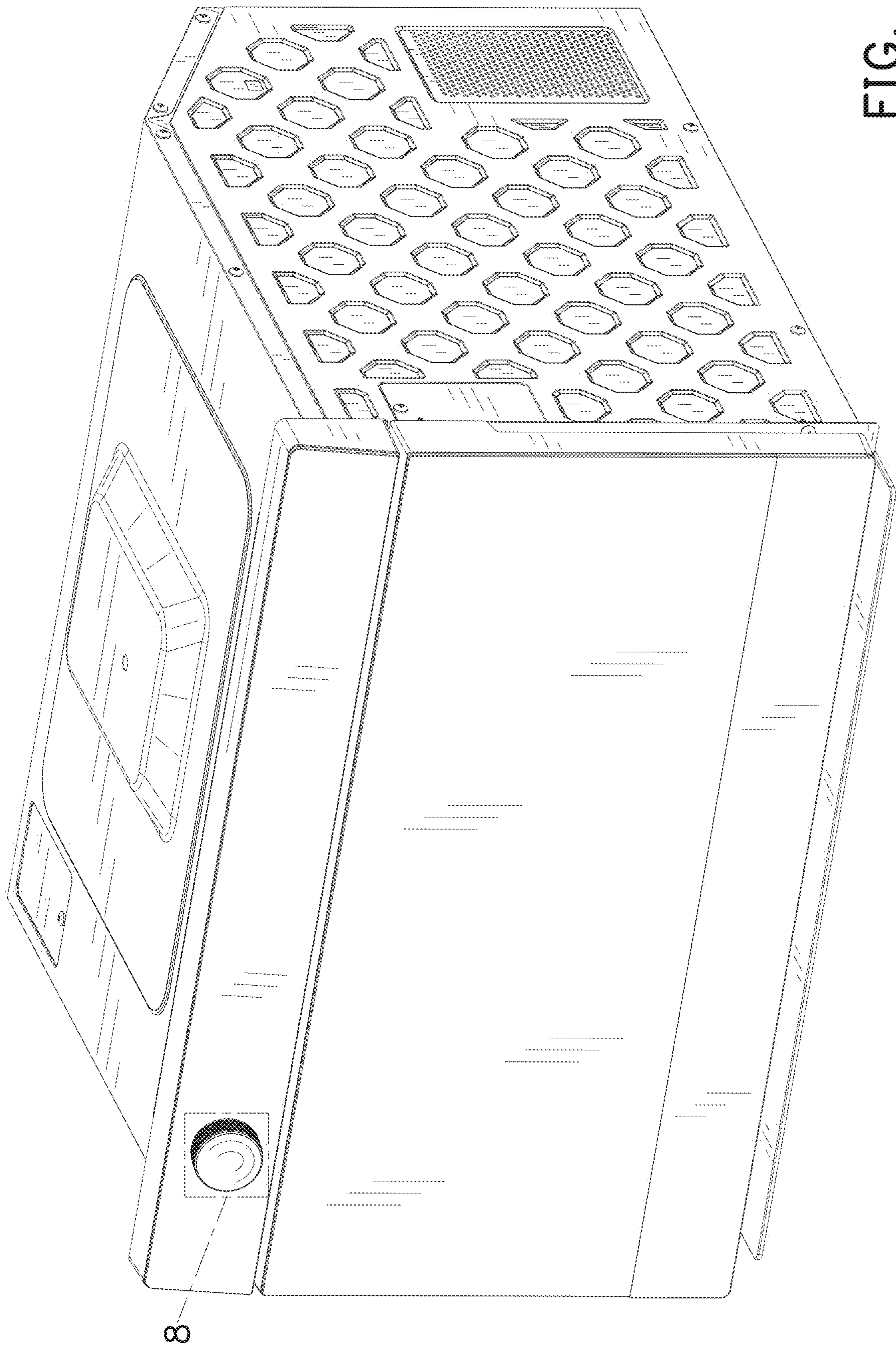


FIG. 1

8

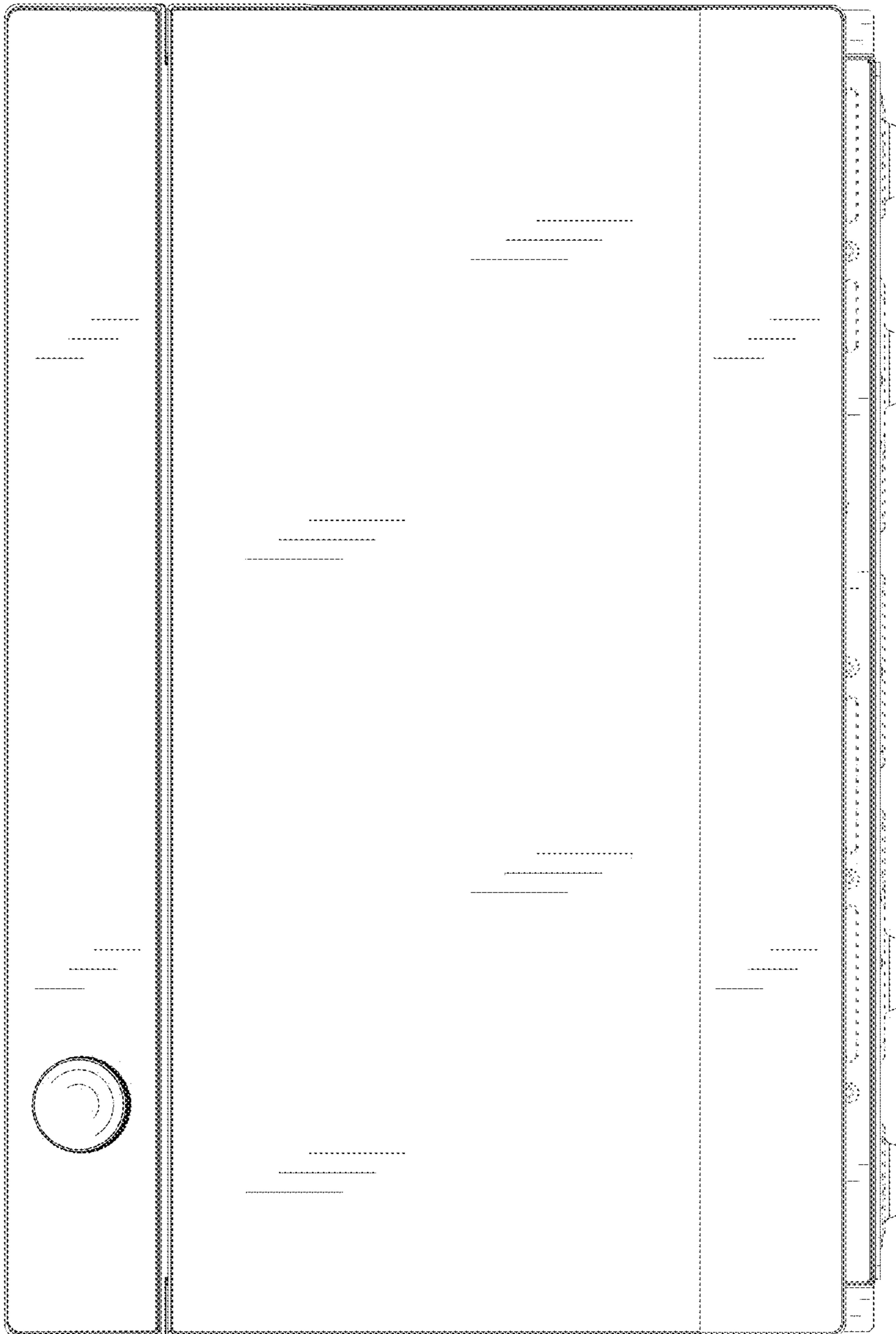


FIG. 2

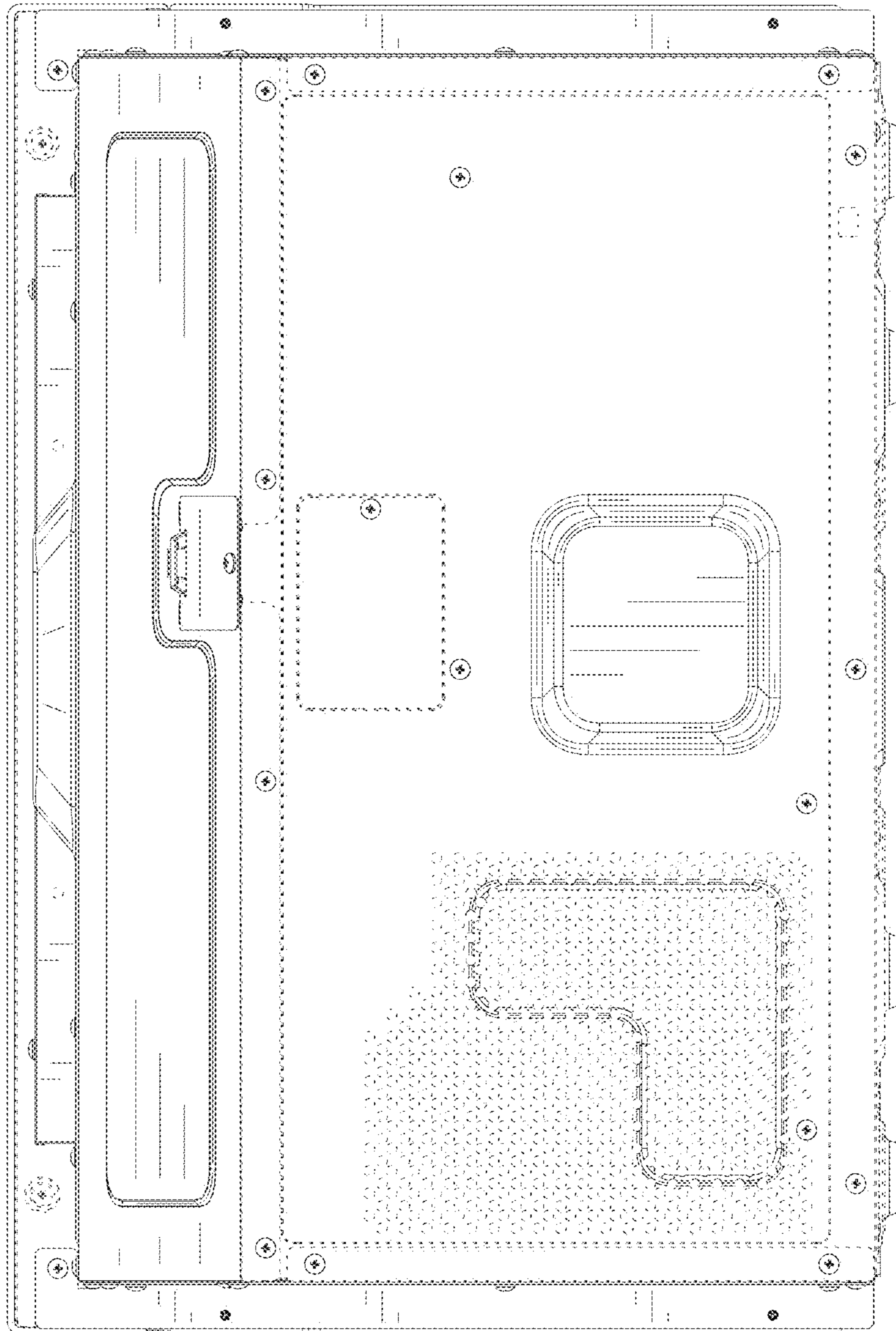


FIG. 3

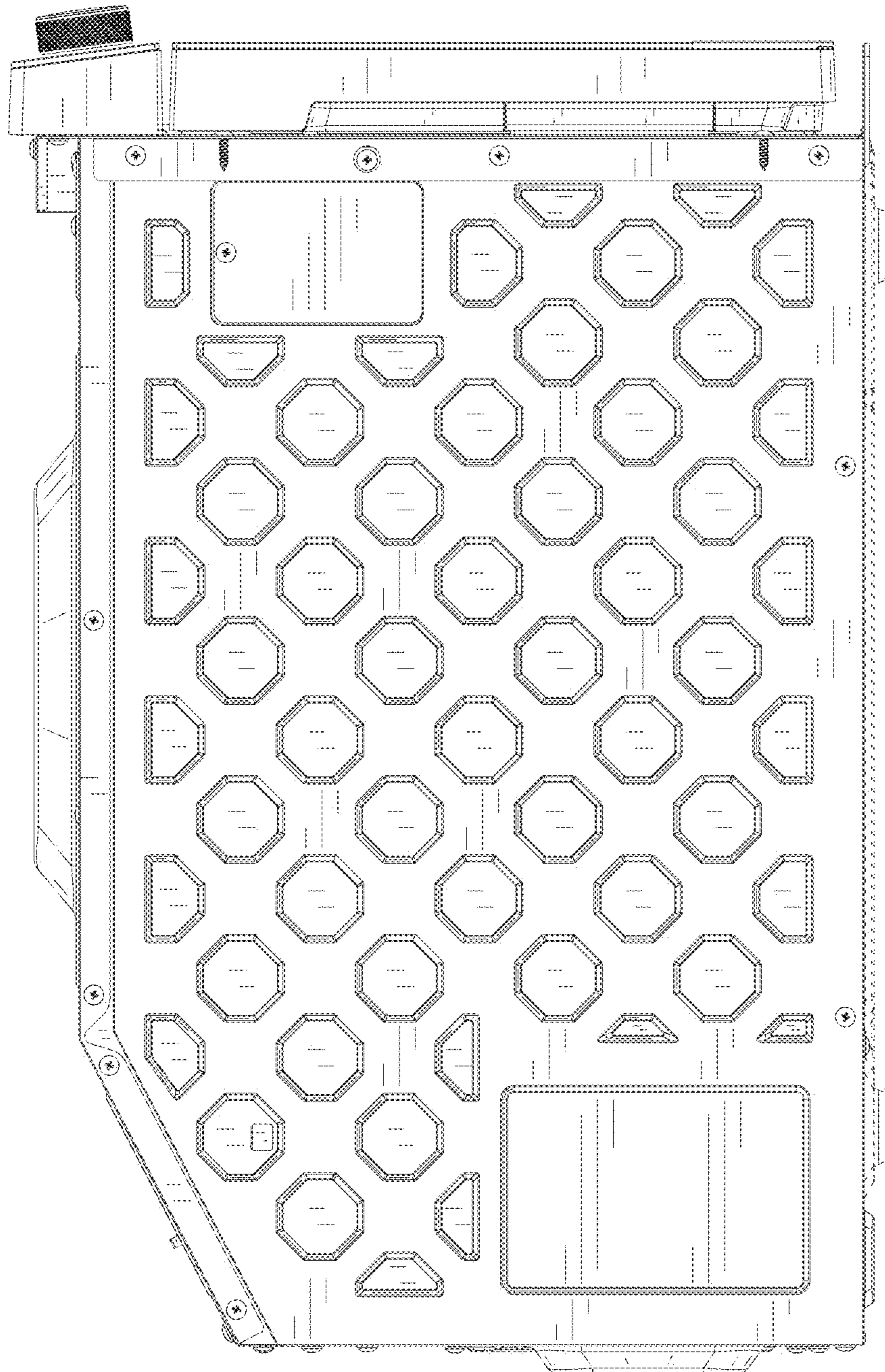


FIG. 4

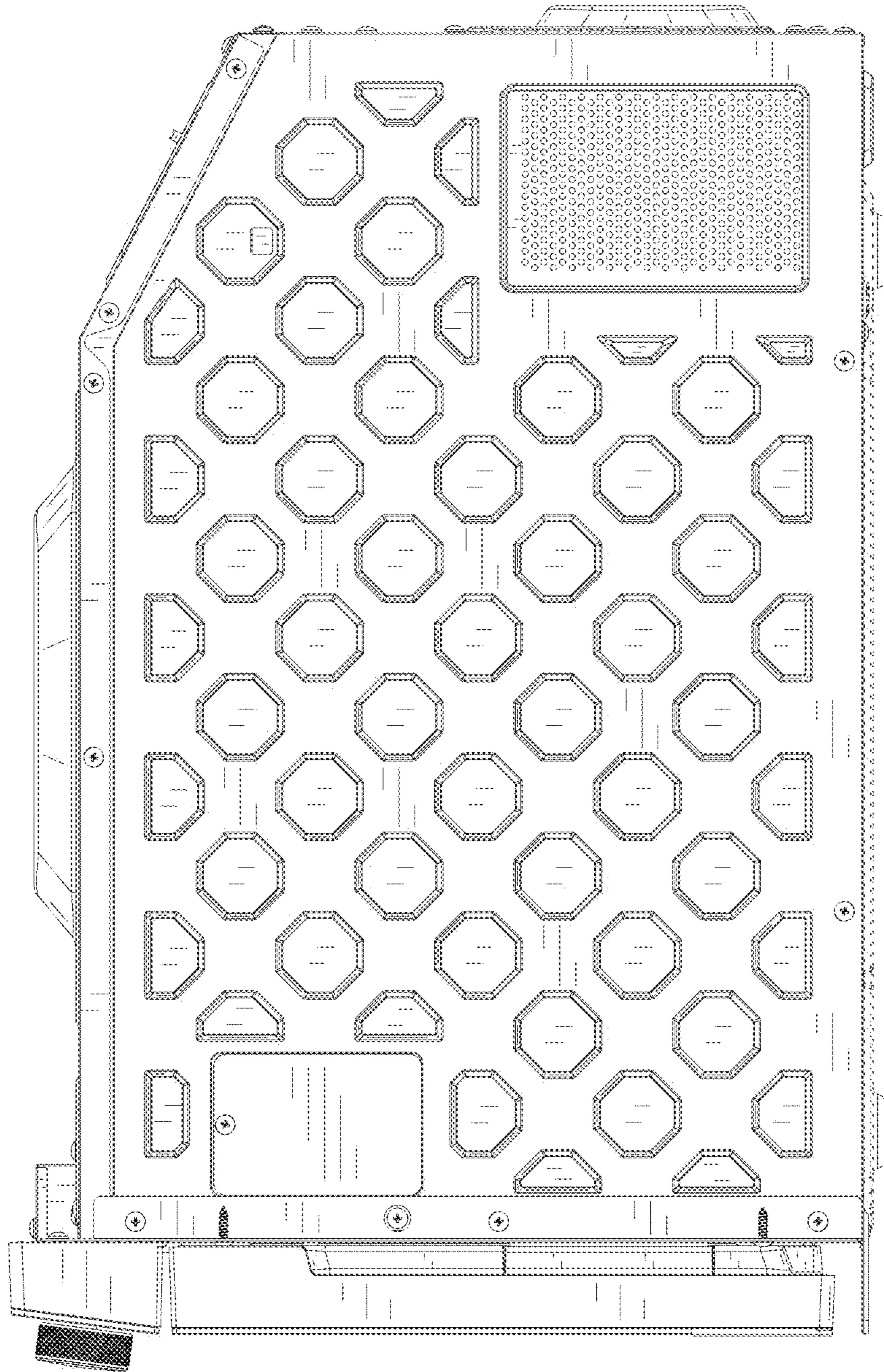


FIG. 5

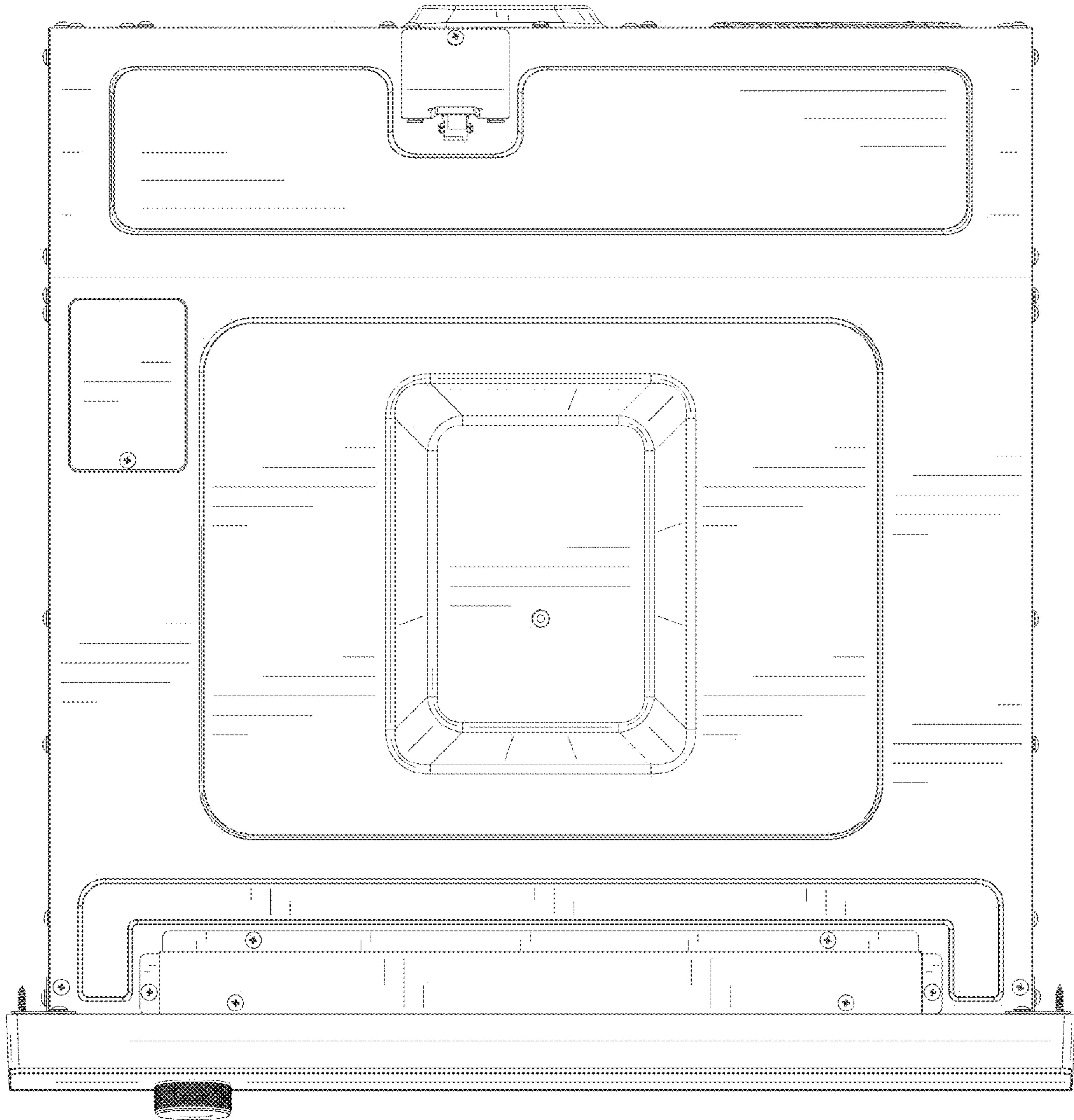


FIG. 6

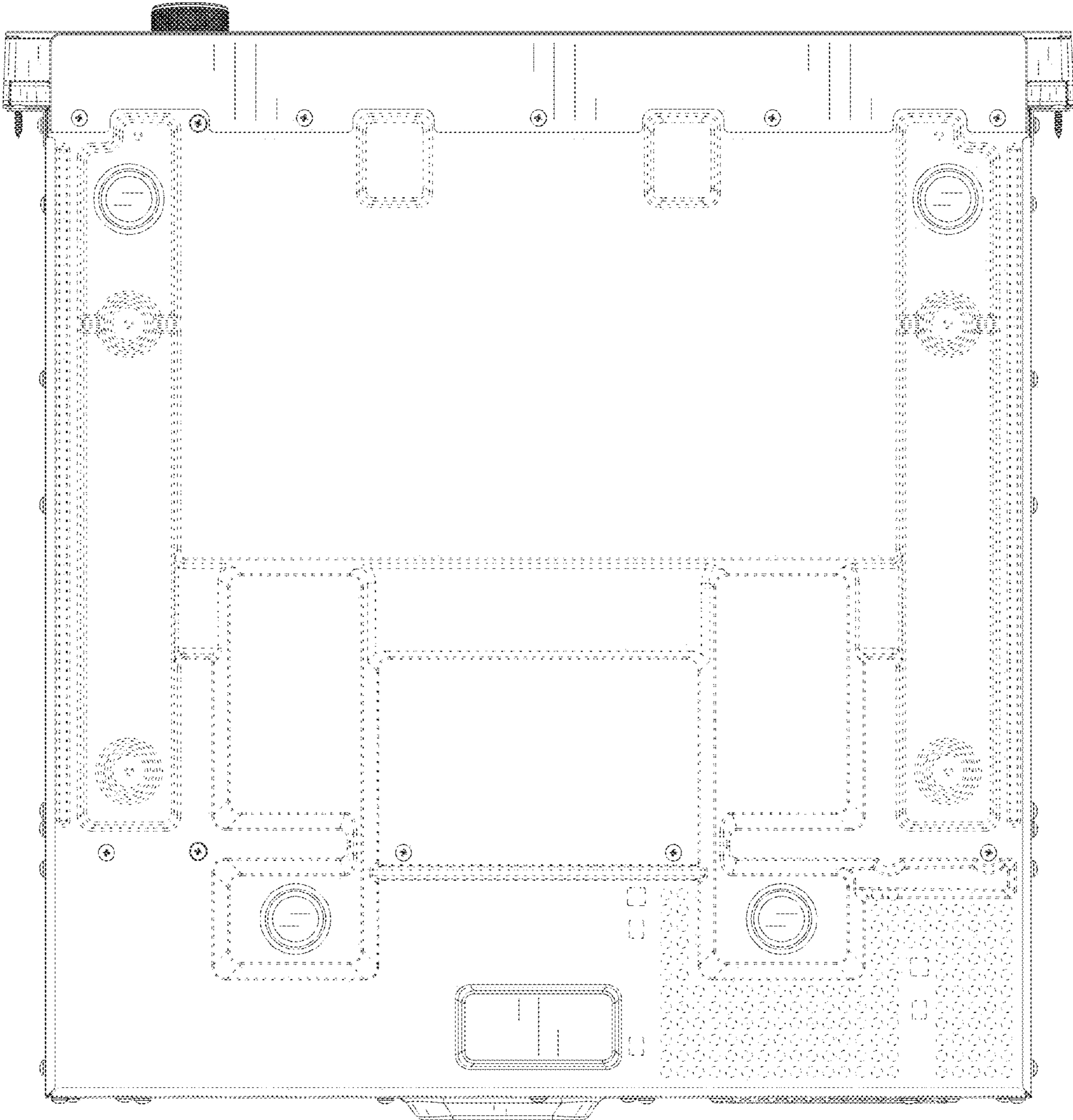


FIG. 7



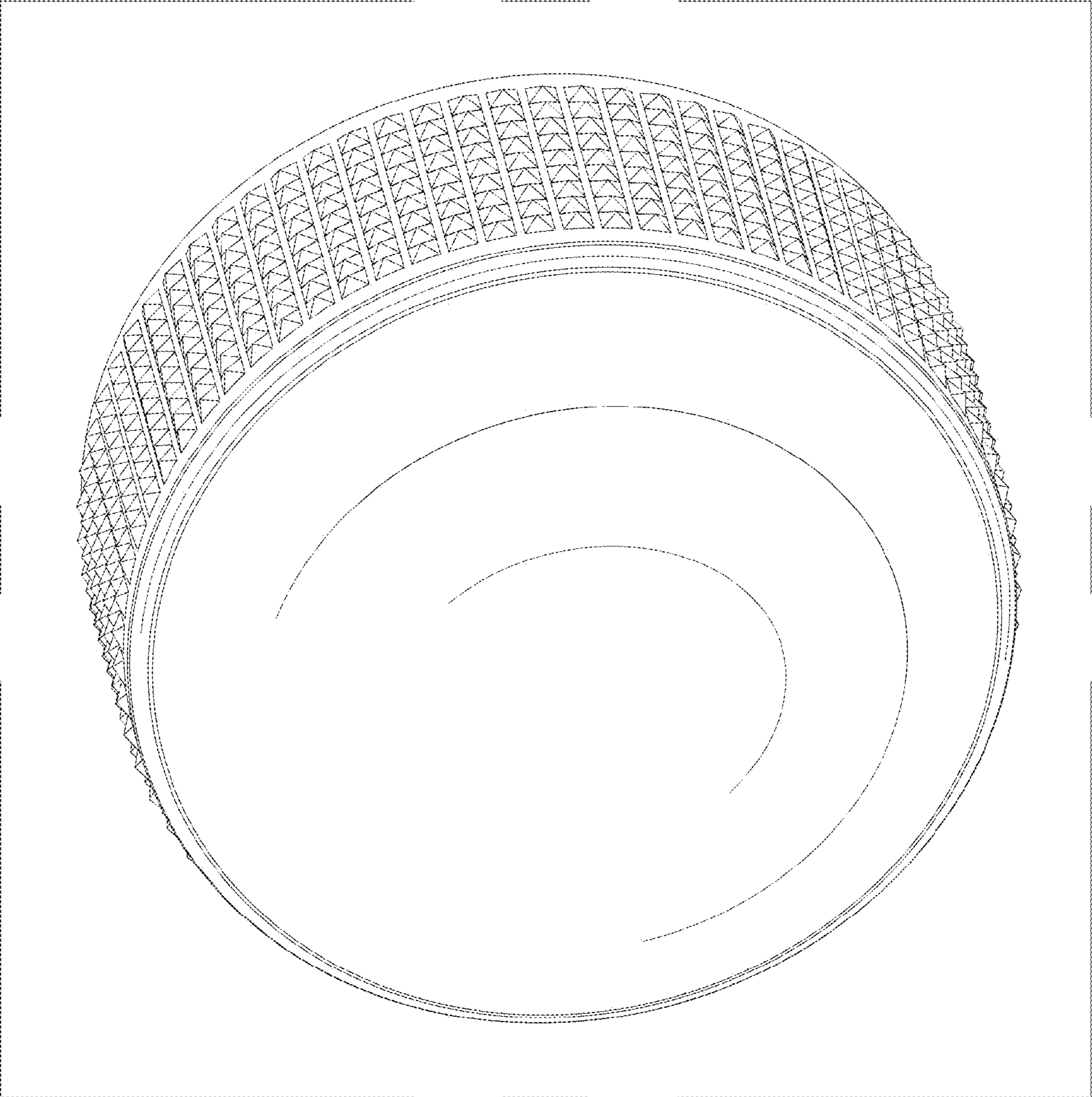


FIG. 8