



US00D988775S

(12) **United States Design Patent**  
**Liu et al.**

(10) **Patent No.:** **US D988,775 S**  
(45) **Date of Patent:** **\*\* Jun. 13, 2023**

(54) **BREAD MAKER**

FOREIGN PATENT DOCUMENTS

(71) Applicant: **Jiangmen Kangbaishi Electrical Appliances Co., Ltd., Jiangmen (CN)**

EM 008479232-0001 \* 6/2021  
EM 008482921-0001 \* 6/2021

(72) Inventors: **Feng Liu, Jiangmen (CN); Jundong Li, Jiangmen (CN)**

OTHER PUBLICATIONS

(73) Assignee: **Jiangmen Kangbaishi Electrical Appliances Co., Ltd., Jiangmen (CN)**

Dash Everyday Stainless Steel Bread Maker, posted Nov. 16, 2020 [online], [retrieved Nov. 9, 2022]. Retrieved from internet, <https://www.amazon.com/Everyday-Stainless-Programmable-Automatic-Dispenser/dp/B08NN9FGK6> (Year: 2020).\*

(\*\*) Term: **15 Years**

Sencor Bread Maker, posted date unknown [online], [retrieved Nov. 10, 2022]. Retrieved from internet, <https://www.sencor.com/bread-maker/sbr-2000ss>.\*

(21) Appl. No.: **29/781,331**

(22) Filed: **Apr. 29, 2021**

*Primary Examiner* — Nicole C Shiflet

*Assistant Examiner* — Yen Le Southwood

(30) **Foreign Application Priority Data**

(74) *Attorney, Agent, or Firm* — Westbridge IP LLC

Nov. 30, 2020 (CN) ..... 202030731129.6

(51) **LOC (14) Cl.** ..... **07-02**

(57) **CLAIM**

(52) **U.S. Cl.**  
USPC ..... **D7/350.2**

The ornamental design for a bread maker, as shown and described.

(58) **Field of Classification Search**  
USPC ..... D7/323, 328, 331–341, 346–349, D7/350.1–350.4, 351–368, 388, 389, 391, D7/393–396, 396.1, 400, 402–412, 450, D7/504, 601, 611, 624, 625, 690, 692, D7/732; D30/120; D21/312, 362, 523, D21/524, 525, 301–309, 387, 476–489, D21/699; D22/113; D14/368, 188, 193  
CPC ..... A47J 27/002; A47J 27/04; A47J 27/043; A47J 27/10; A47J 27/12; A47J 29/00; A47J 29/02; A47J 29/06; A47J 33/00; A47J 36/00; A47J 36/20; A47J 36/22; A47J

**DESCRIPTION**

FIG. 1 is a top, front and right side perspective view of a bread maker showing our new design;  
FIG. 2 is a bottom, rear and left side perspective view thereof;  
FIG. 3 is a front elevation view thereof;  
FIG. 4 is a rear elevation view thereof;  
FIG. 5 is a left side elevation view thereof;  
FIG. 6 is a right side elevation view thereof;  
FIG. 7 is a top plan view thereof;  
FIG. 8 is a bottom plan view thereof; and,  
FIG. 9 is an enlarged view of the selected portion in FIG. 1. The dashed broken lines in the drawings illustrate portions of the article that form no part of the claimed design and the long dash-short dash broken lines define the bounds of the enlarged view in FIGS. 1 and 9 and form no part of the claimed design.

(Continued)

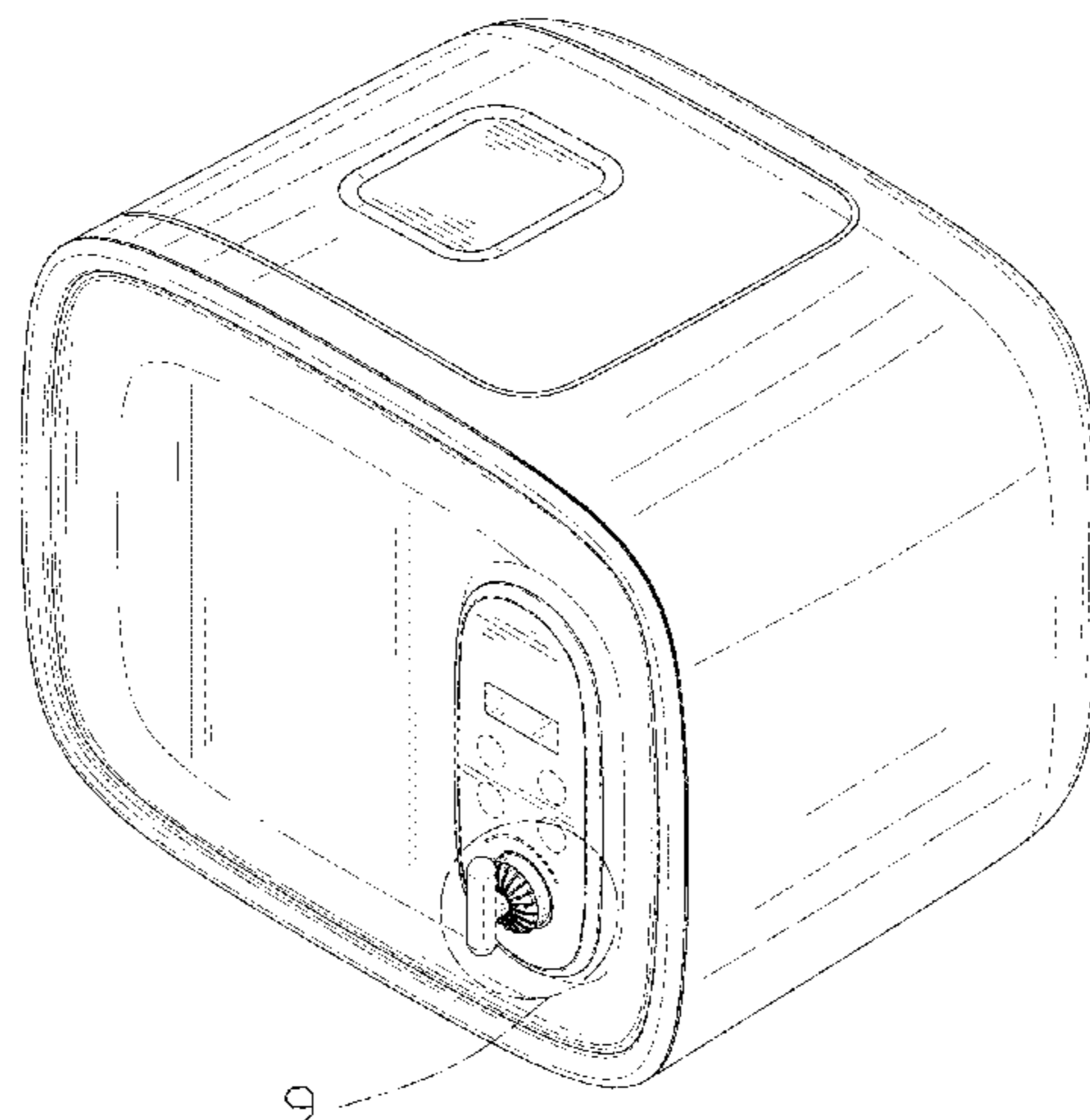
(56) **References Cited**

U.S. PATENT DOCUMENTS

5,801,362 A \* 9/1998 Pearlman ..... F24C 7/087  
219/400  
D409,437 S \* 5/1999 Nakano ..... D7/351

(Continued)

**1 Claim, 9 Drawing Sheets**



(58) **Field of Classification Search**

CPC .... 36/24; A47J 36/2405; A47J 36/2483; A47J  
36/26; A47J 37/00; A47J 37/015; A47J  
37/04; A47J 37/041; A47J 37/042; A47J  
37/043; A47J 37/06; A47J 37/061; A47J  
37/0623; A47J 37/0629; A47J 37/0647;  
A47J 37/067; A47J 37/0676; A47J  
37/0682; A47J 37/0688; A47J 37/0694;  
A47J 37/07; A47J 37/0704; A47J  
37/0718; A47J 37/0763; A47J 37/105;  
A47J 37/108; A47J 37/1204; A47J  
2037/0795; F24C 3/002; F24C 3/004;  
F24C 3/082; F24C 3/085; F24C 7/04;  
F24C 11/00; F24C 15/16; F24C 15/166;  
F24C 15/18; F24C 7/087

See application file for complete search history.

(56) **References Cited**

U.S. PATENT DOCUMENTS

D452,629	S	*	1/2002	Chouya	.....	D7/351
D738,671	S	*	9/2015	Ha	.....	D7/323
D881,155	S	*	4/2020	Yan	.....	D14/188
D884,665	S	*	5/2020	Zeng	.....	D14/193
2007/0262070	A1	*	11/2007	Lee	.....	F24C 15/16 219/404

\* cited by examiner

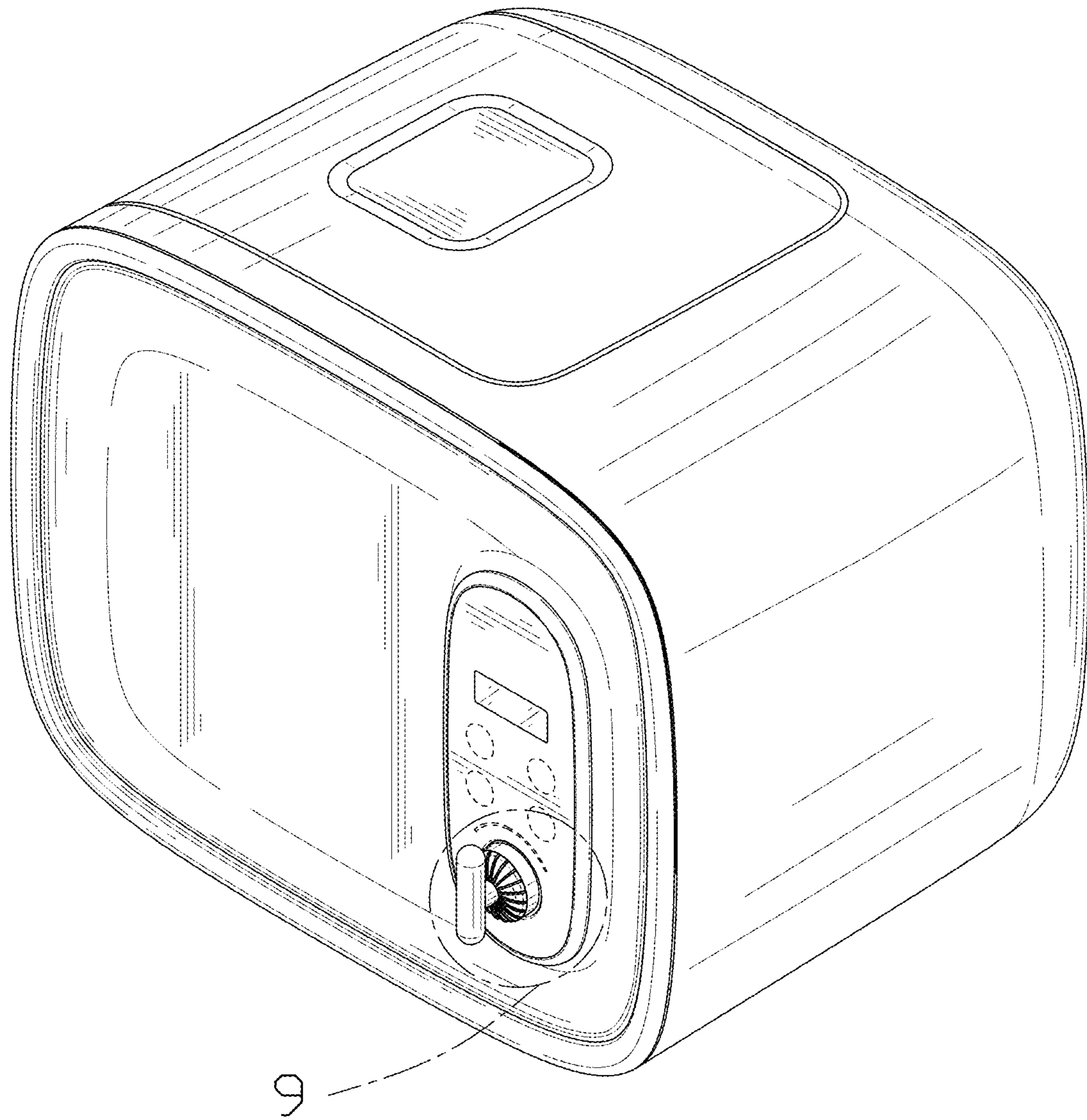


FIG. 1



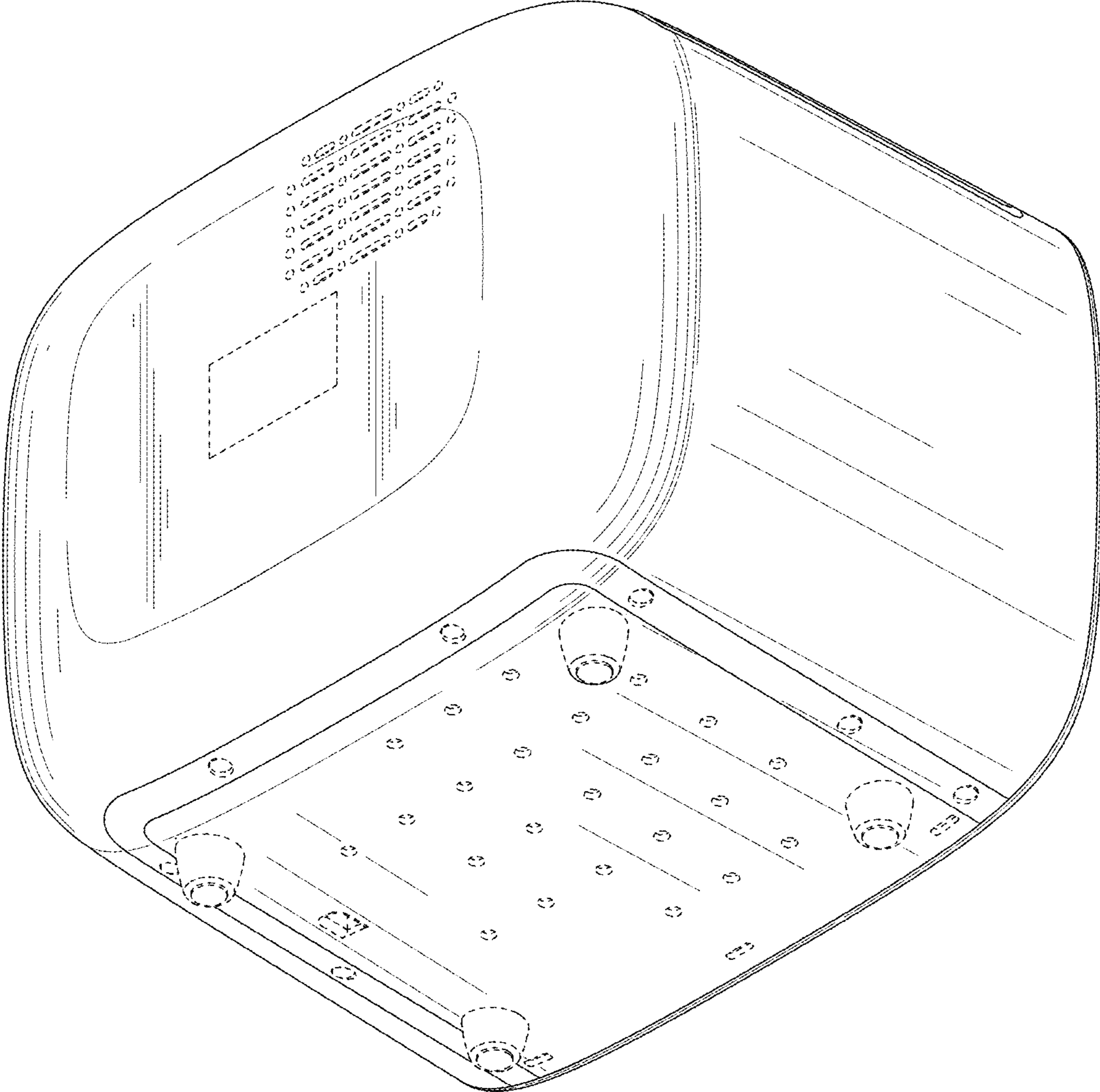


FIG. 2

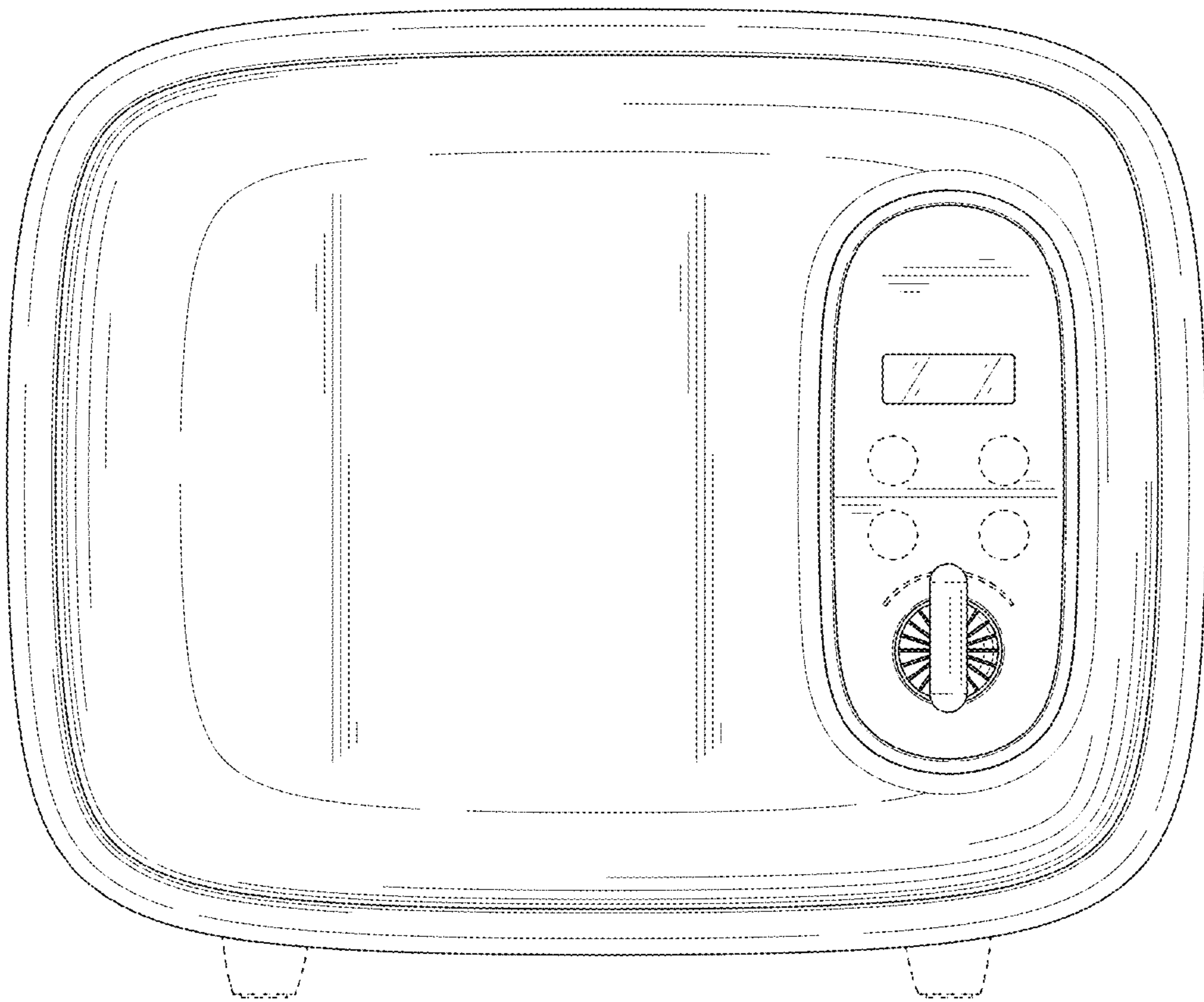


FIG. 3

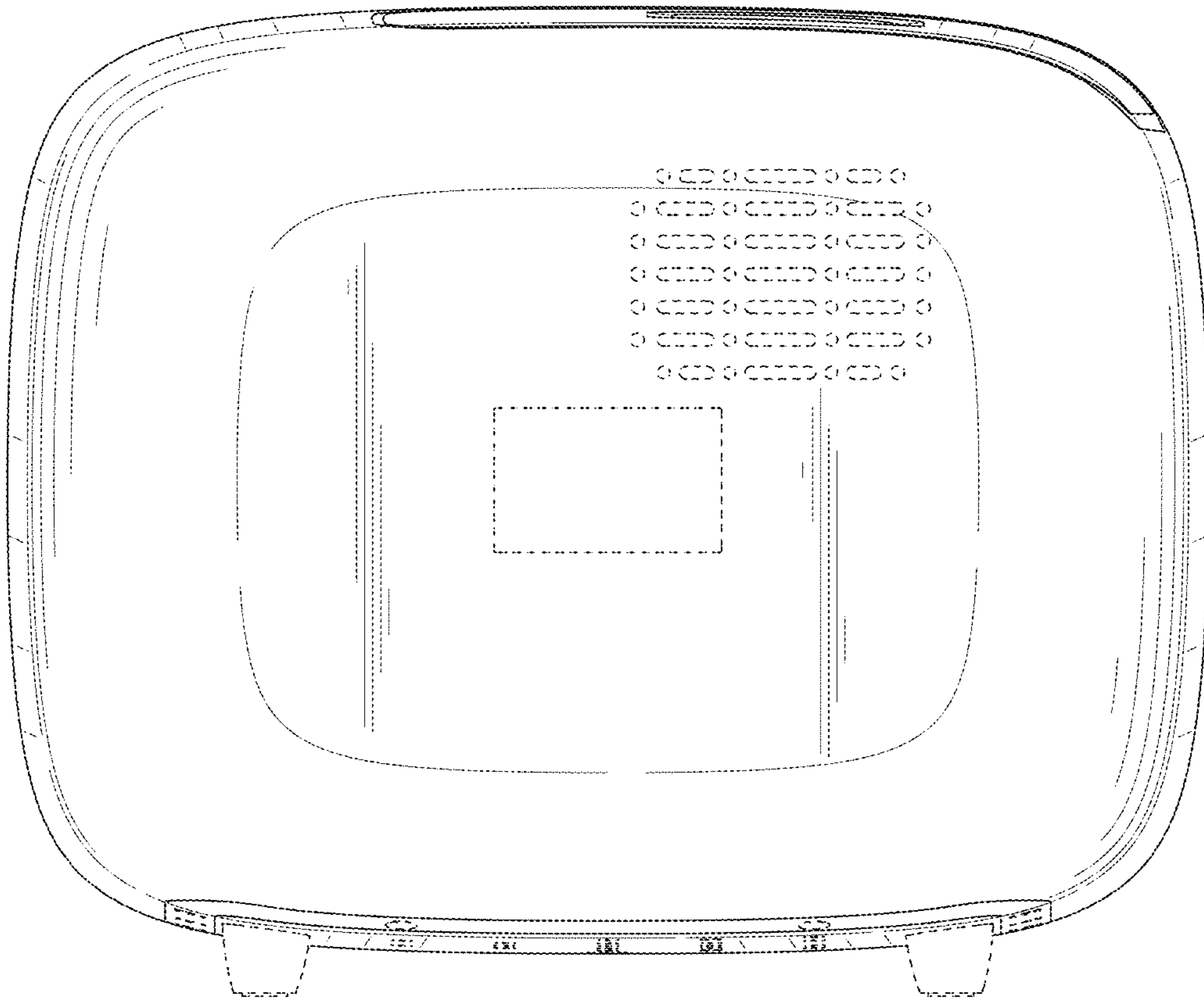


FIG. 4

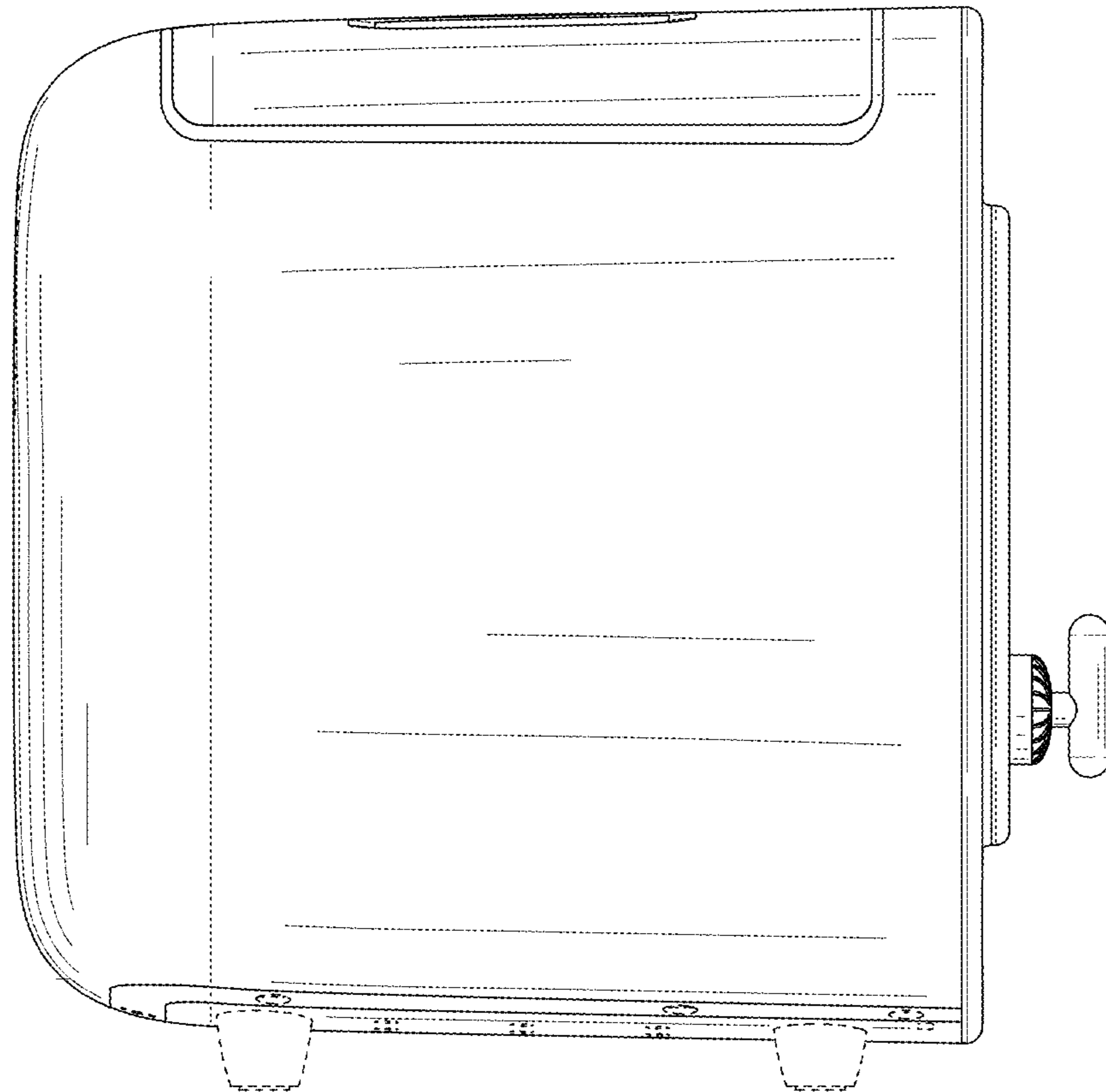


FIG. 5

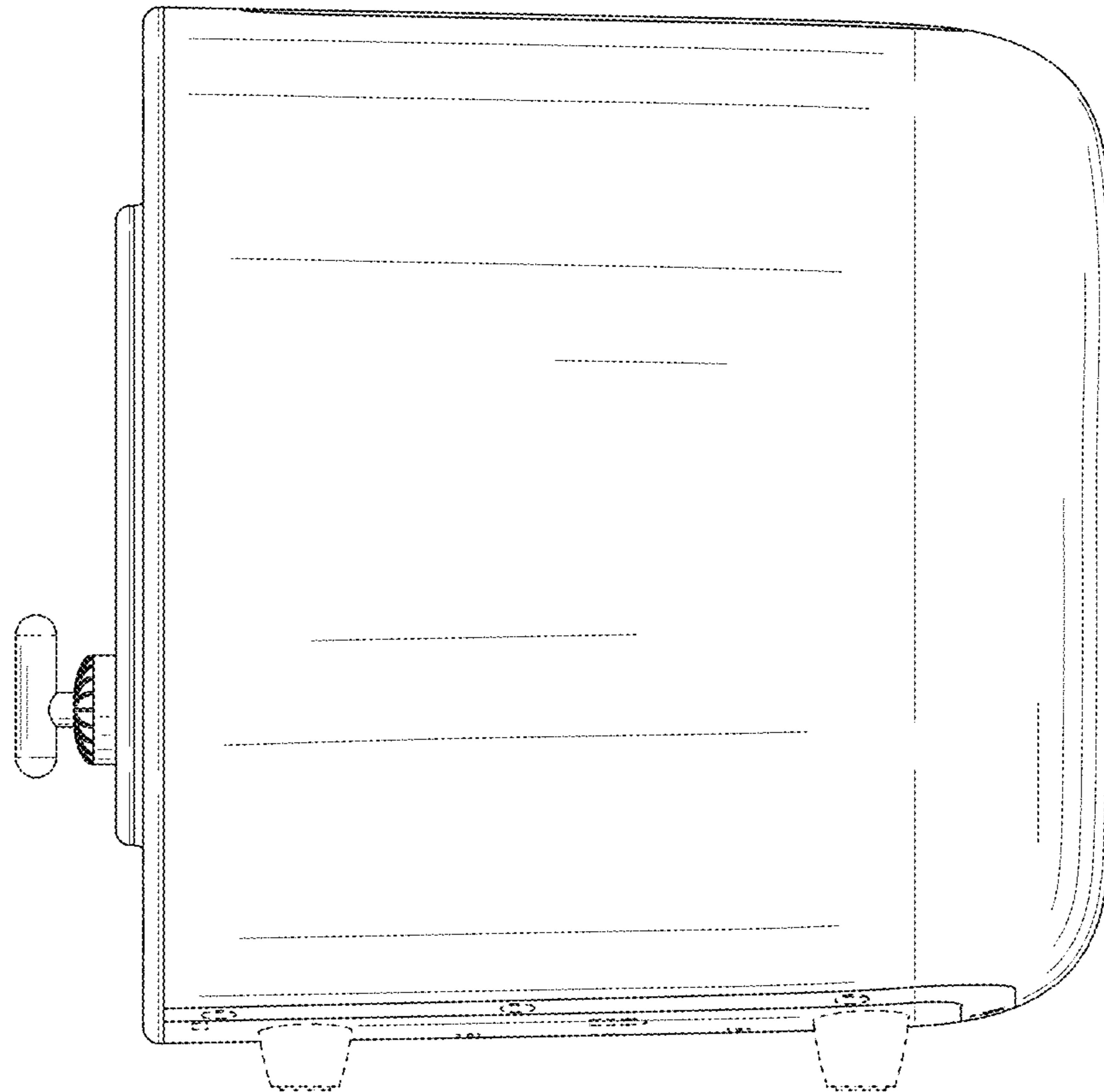


FIG. 6



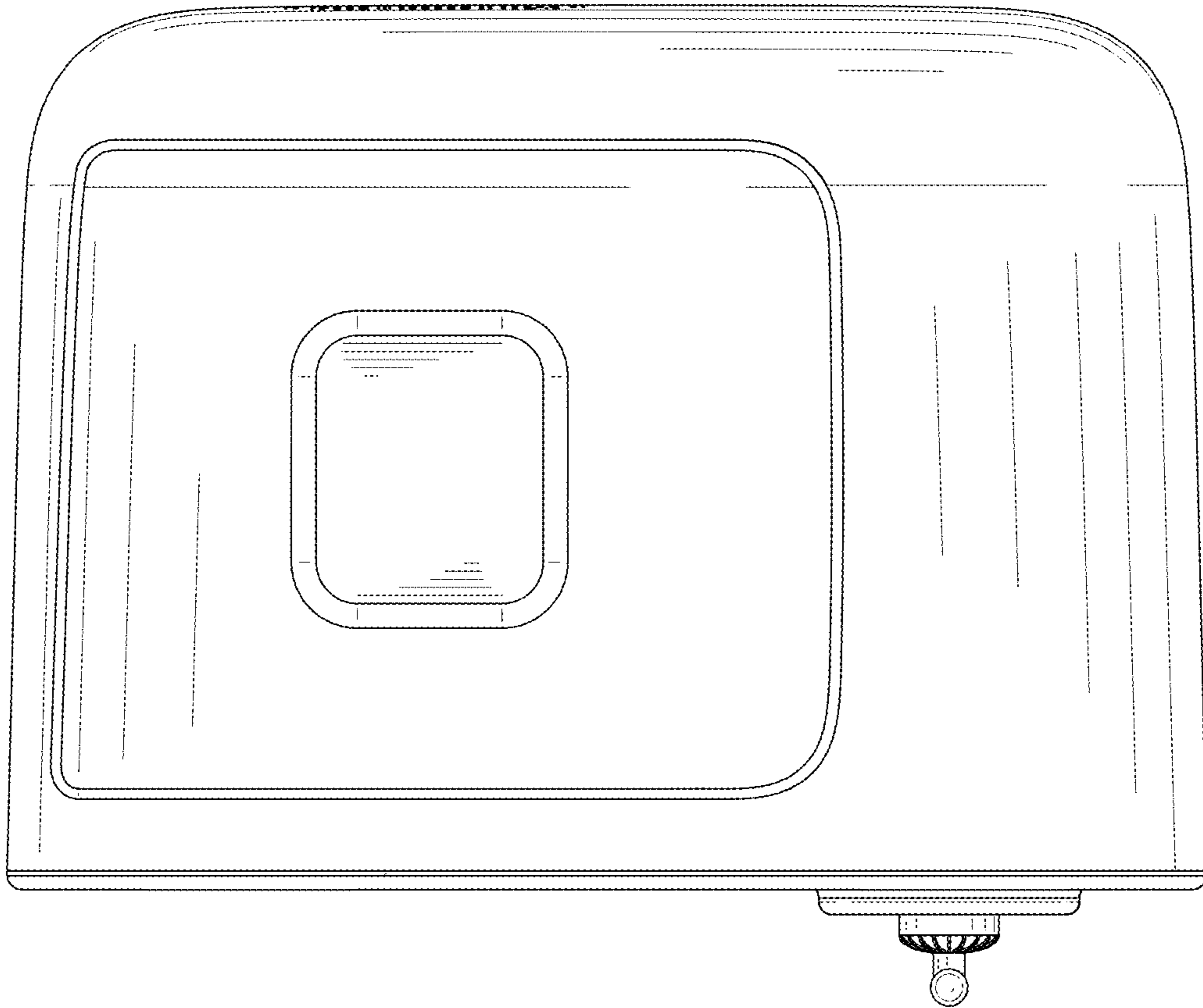


FIG. 7

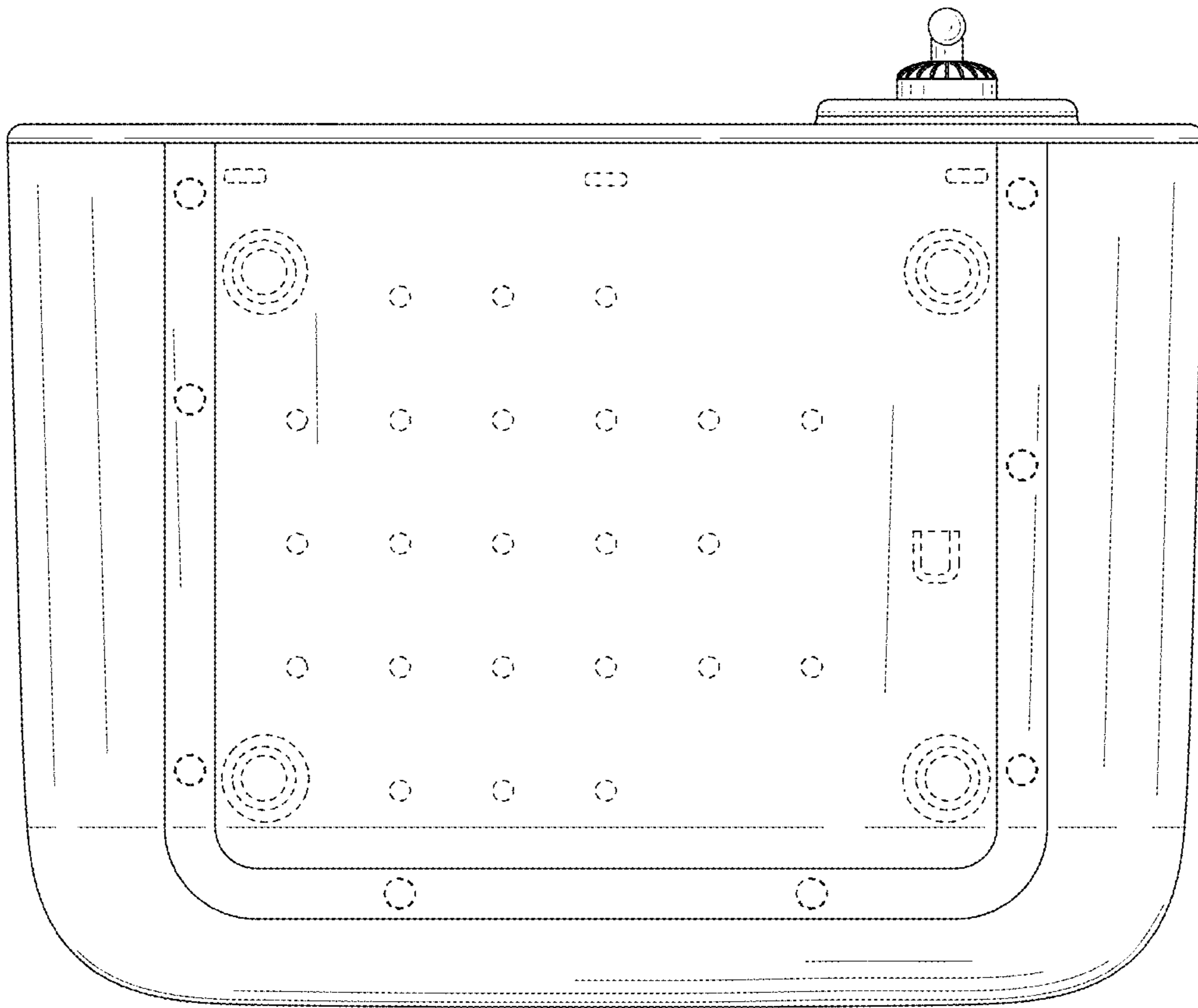


FIG. 8

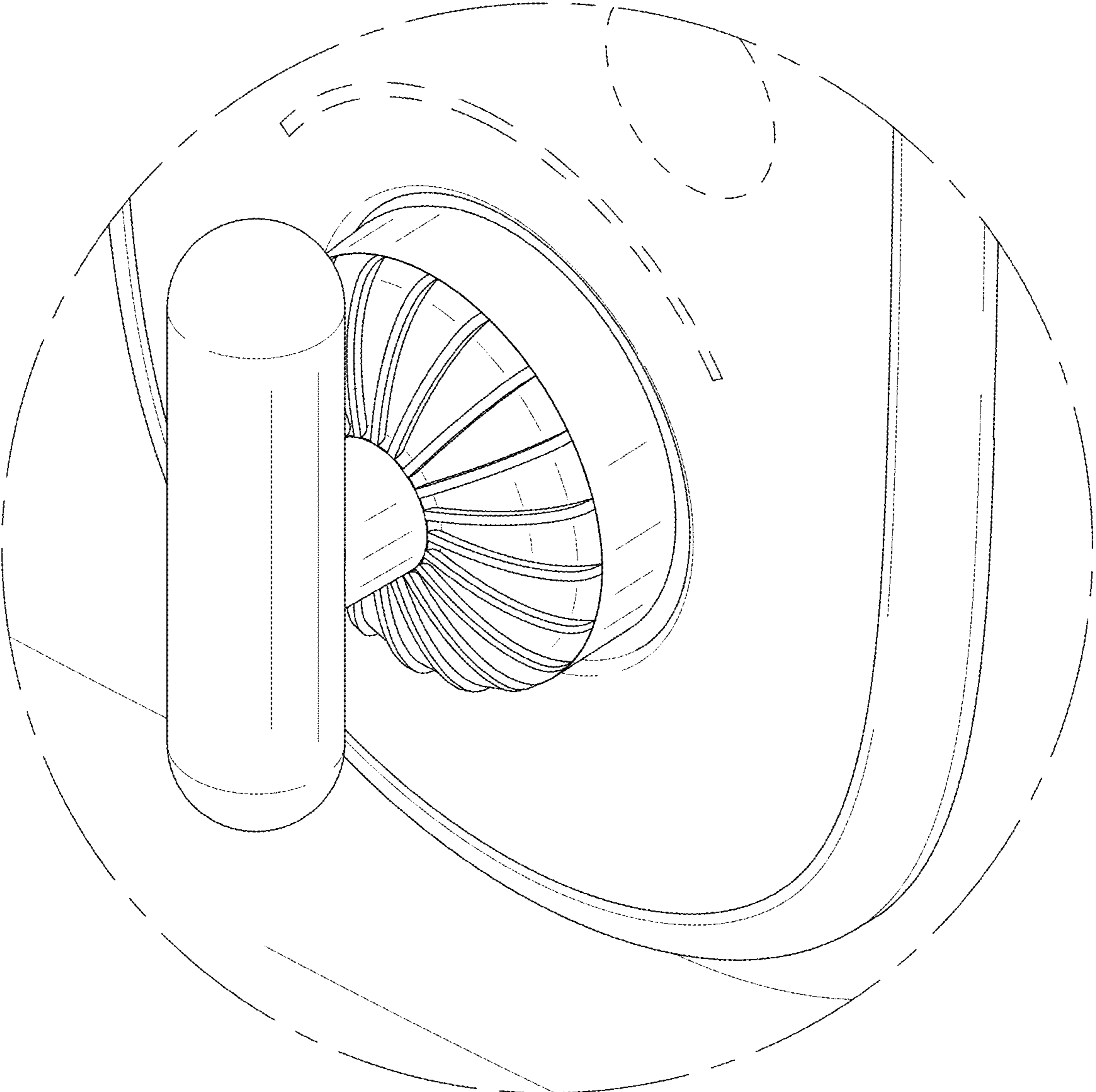


FIG. 9