



US00D988773S

(12) **United States Design Patent**  
**Liang**

(10) **Patent No.:** **US D988,773 S**  
(45) **Date of Patent:** **\*\* Jun. 13, 2023**

(54) **OVEN**  
(71) Applicant: **Jiaqi Liang**, Foshan (CN)  
(72) Inventor: **Jiaqi Liang**, Foshan (CN)  
(\*\*) Term: **15 Years**  
(21) Appl. No.: **29/881,022**  
(22) Filed: **Dec. 27, 2022**  
(51) **LOC (14) Cl.** ..... **07-02**  
(52) **U.S. Cl.**  
USPC ..... **D7/348**  
(58) **Field of Classification Search**  
USPC ..... D7/332, 334, 339, 347, 348, 368, 401.2,  
D7/402, 409, 501, 538, 543, 553.3, 553.4,  
D7/553.5, 553.6, 553.7, 553.8, 600.1,  
D7/600.2, 600.4, 602, 610, 629, 642, 643,  
D7/644, 645, 646, 698, 701, 703, 704,  
D7/709  
CPC .... A61B 50/36; A61B 50/362; A61M 1/0058;  
B65D 41/04; B65D 2251/023; B65D  
41/0485; B65D 41/3428  
See application file for complete search history.

2016/0381740 A1\* 12/2016 D'Andrea ..... H05B 6/6417  
219/685  
2018/0213973 A1\* 8/2018 Tapaninaho ..... A47J 37/01  
2022/0142403 A1\* 5/2022 Staun ..... A47J 37/0641

**FOREIGN PATENT DOCUMENTS**

GB 6192752 \* 2/2022  
IE 23259-0001 \* 6/2021

**OTHER PUBLICATIONS**

Ooni Koda 12 Gas Powered Pizza Oven, announced Apr. 15, 2019 [online], retrieved Mar. 22, 2023, retrieved from internet, <https://ooni.com/products/ooni-koda> (Year: 2019).\*  
Arrosto Gas Portable Pizza Oven, announced May 1, 2022 [online], retrieved Mar. 22, 2023, retrieved from internet, <https://www.barbequesgalore.com.au/p/arrosto-gas-portable-pizza-oven/PIZPORTGAS.html> (Year: 2022).\*

\* cited by examiner

*Primary Examiner* — Messina L Smith  
(74) *Attorney, Agent, or Firm* — Rumit Ranjit Kanakia

(57) **CLAIM**

The ornamental design for an oven, as shown and described.

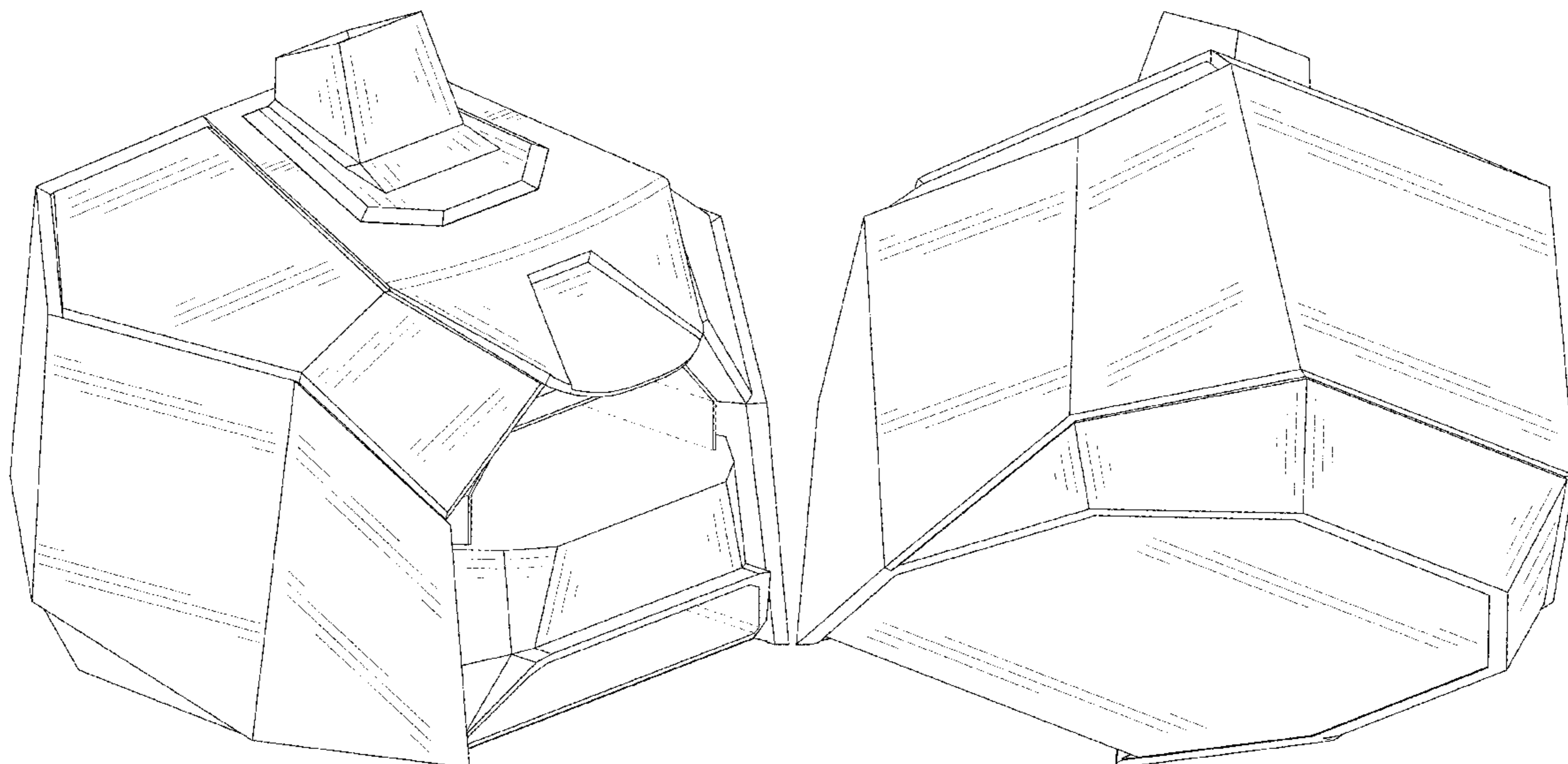
**DESCRIPTION**

FIG. 1 is a first perspective view of an oven showing my new design;  
FIG. 2 is a second perspective view thereof;  
FIG. 3 is a front view thereof;  
FIG. 4 is a back view thereof;  
FIG. 5 is a left side view thereof;  
FIG. 6 is a right side view thereof;  
FIG. 7 is a top view thereof; and,  
FIG. 8 is a bottom view thereof.  
The broken lines shown in the drawings depict portions of the oven that form no part of the claimed design.

**1 Claim, 8 Drawing Sheets**

(56) **References Cited**  
U.S. PATENT DOCUMENTS

D359,877 S \* 7/1995 Koziol ..... D7/332  
D415,388 S \* 10/1999 Wagner ..... D7/332  
D430,776 S \* 9/2000 Pai ..... D7/332  
D442,819 S \* 5/2001 Masters ..... D7/334  
D498,977 S \* 11/2004 Chung ..... D7/402  
D526,834 S \* 8/2006 Chung ..... D7/334  
D737,623 S 9/2015 Hu et al.  
D823,630 S \* 7/2018 Cadamuro ..... D7/328  
D931,030 S 9/2021 Shao  
D931,673 S 9/2021 Shao  
D964,086 S \* 9/2022 Zhou ..... D7/339  
D974,819 S \* 1/2023 Zhou ..... D7/350.1  
2002/0179587 A1\* 12/2002 Hui ..... A47J 37/0694  
219/453.11



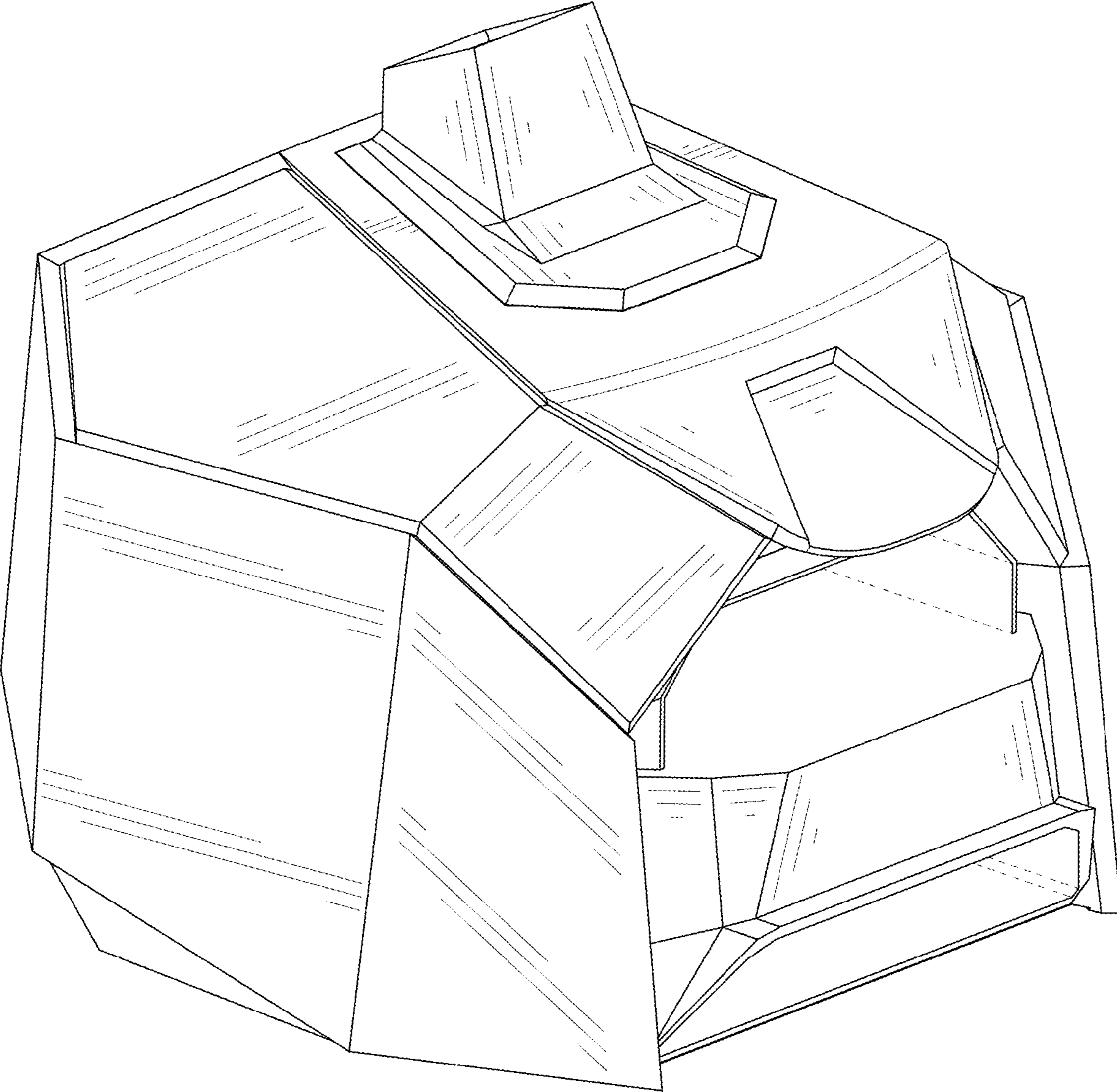


FIG. 1

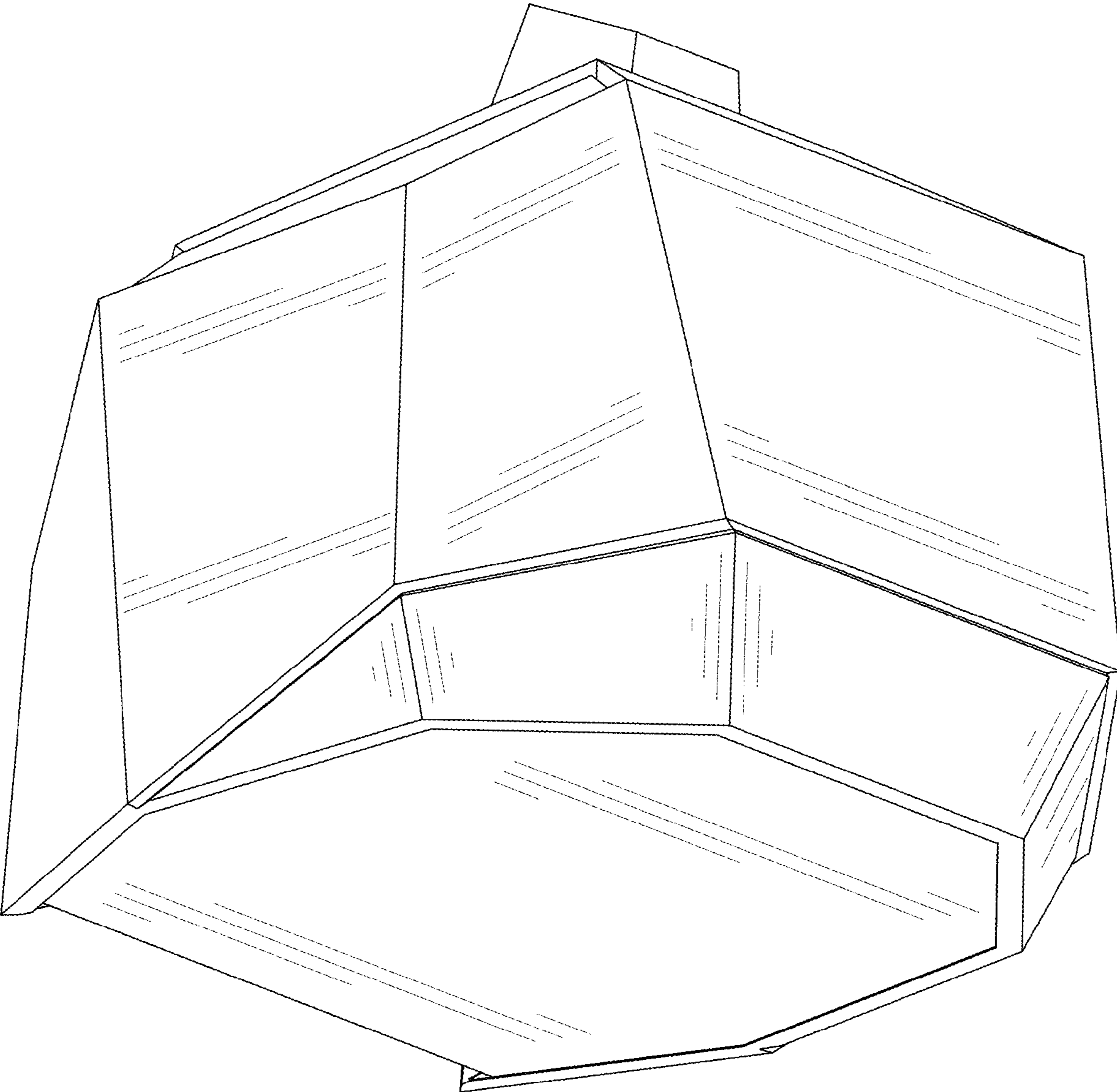


FIG. 2

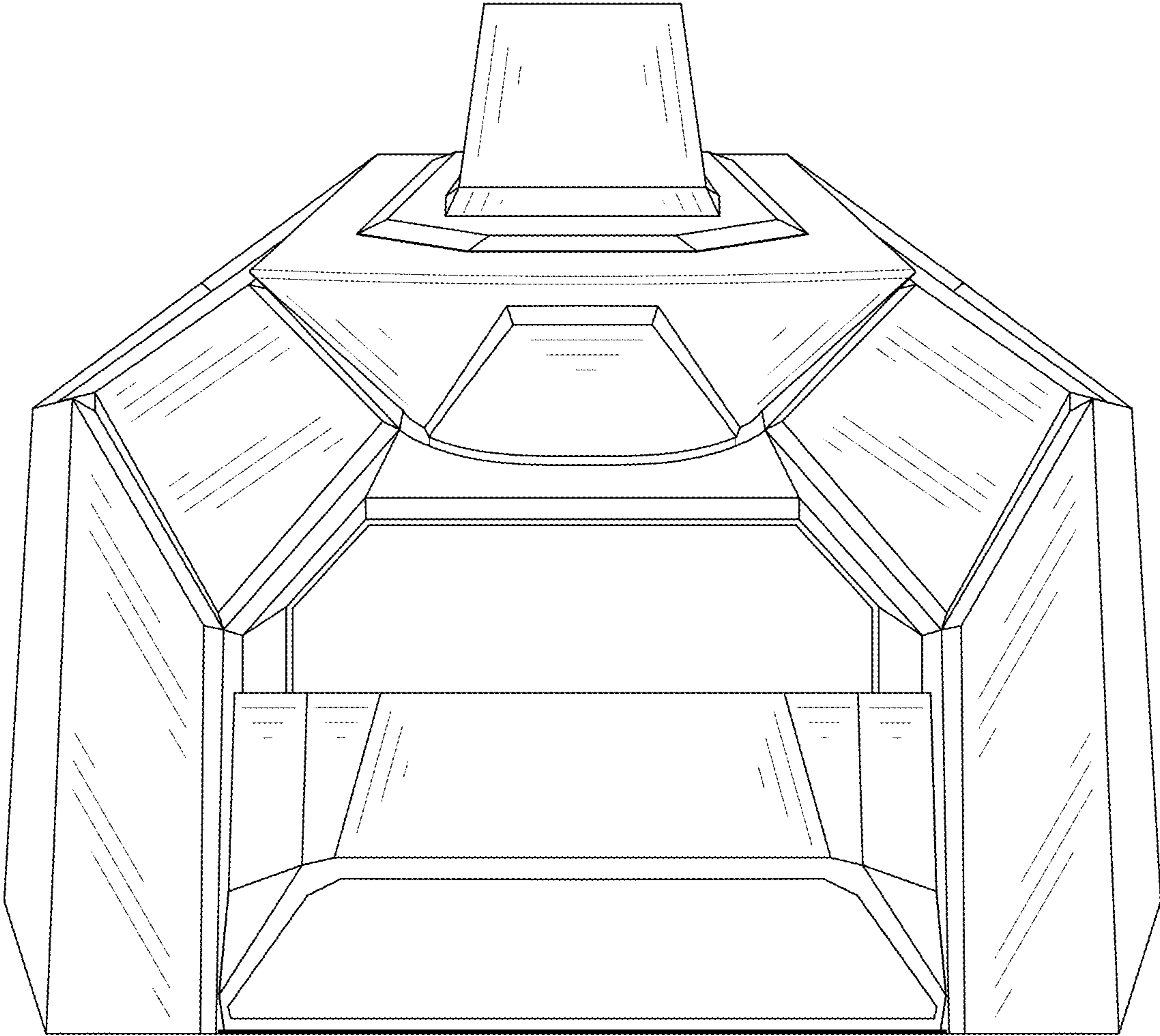


FIG. 3

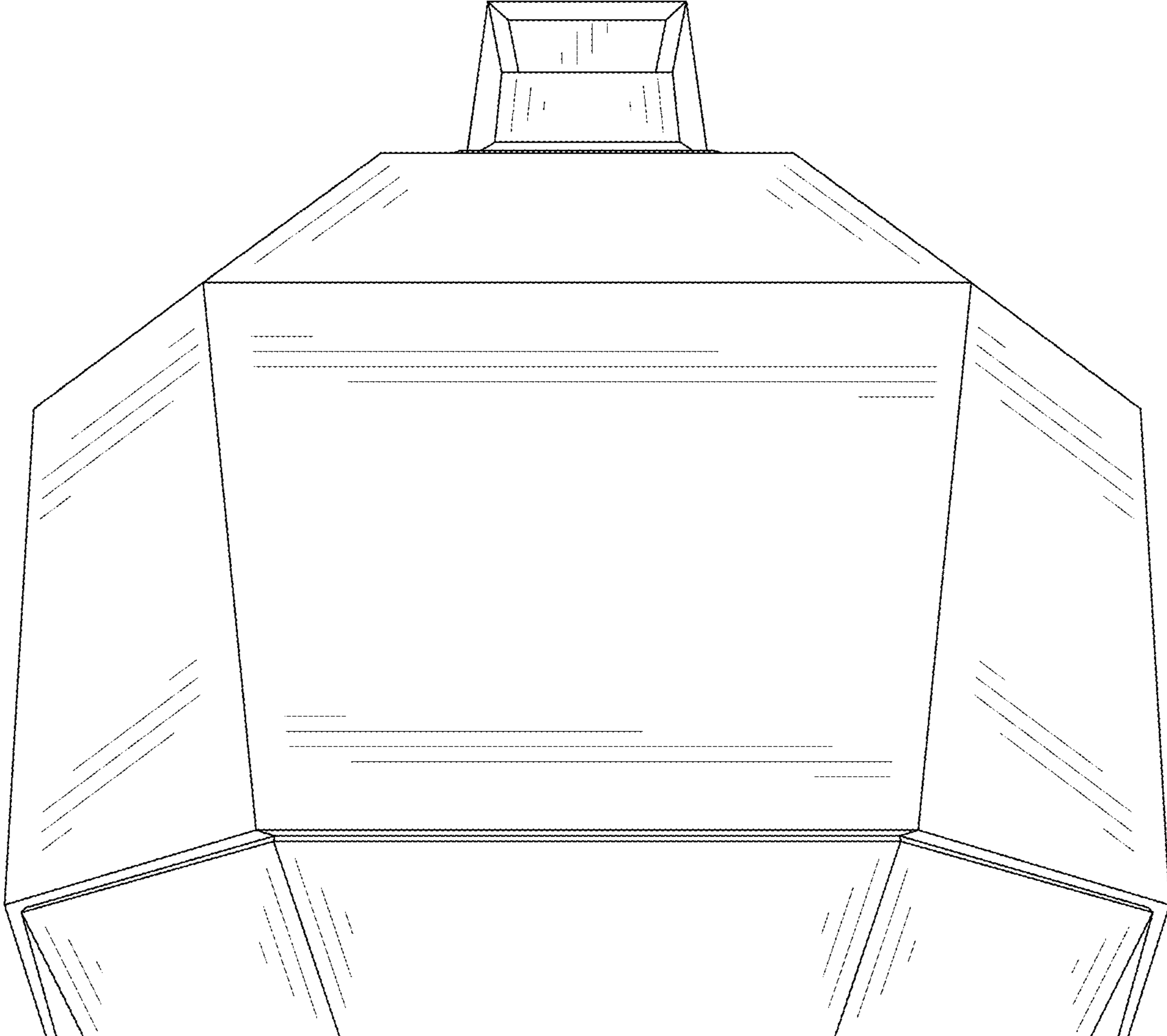


FIG. 4

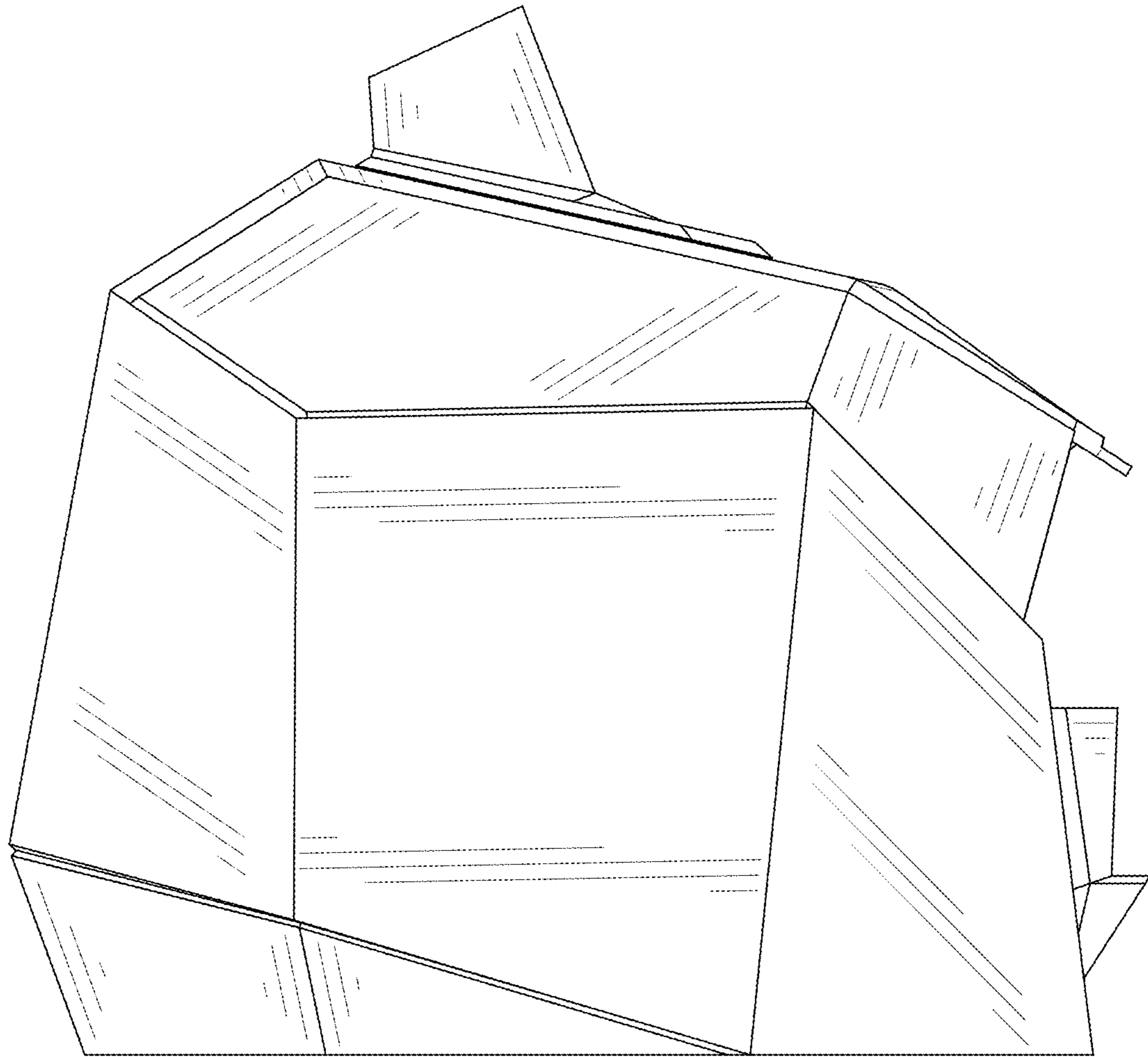


FIG. 5

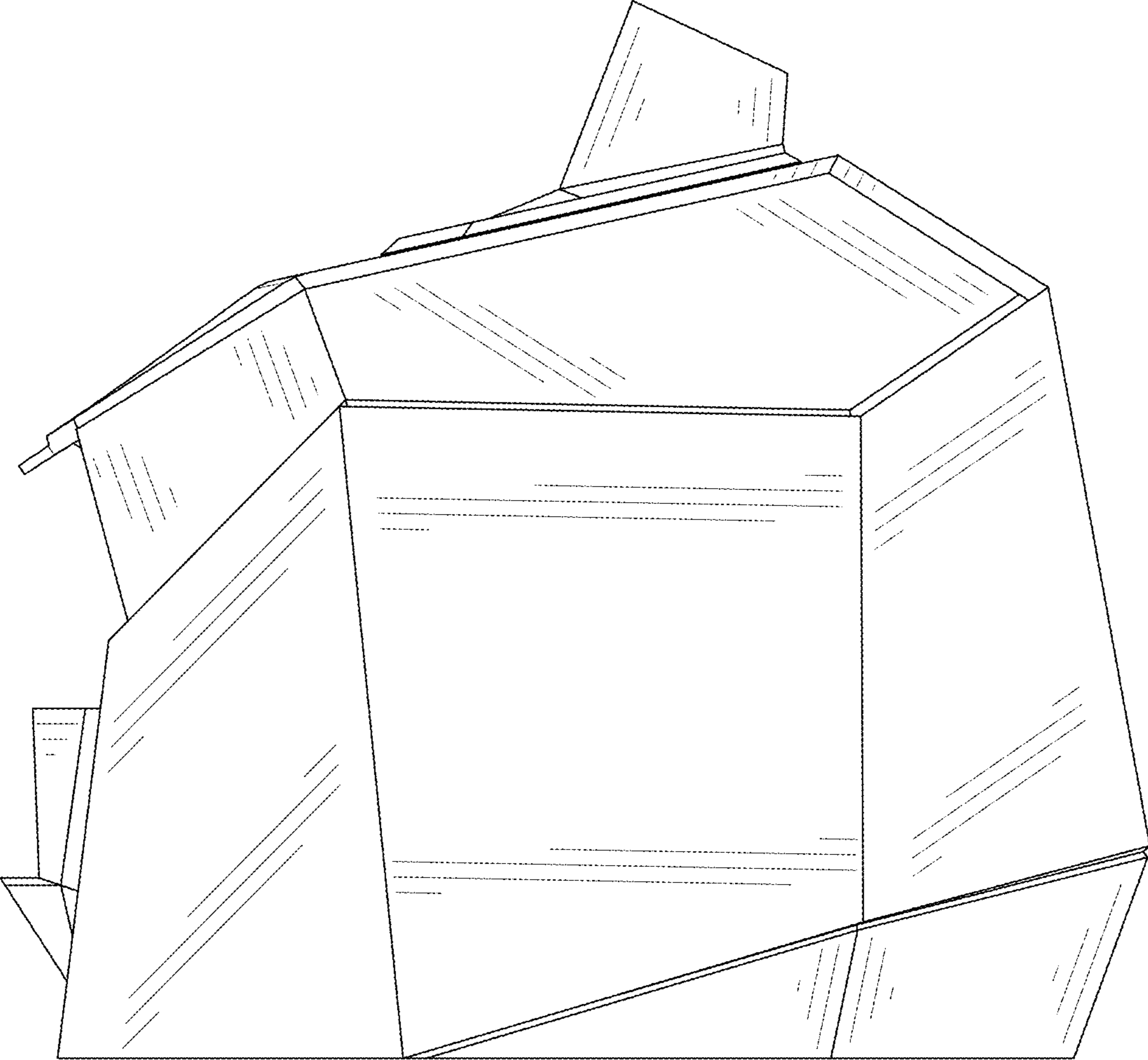


FIG. 6

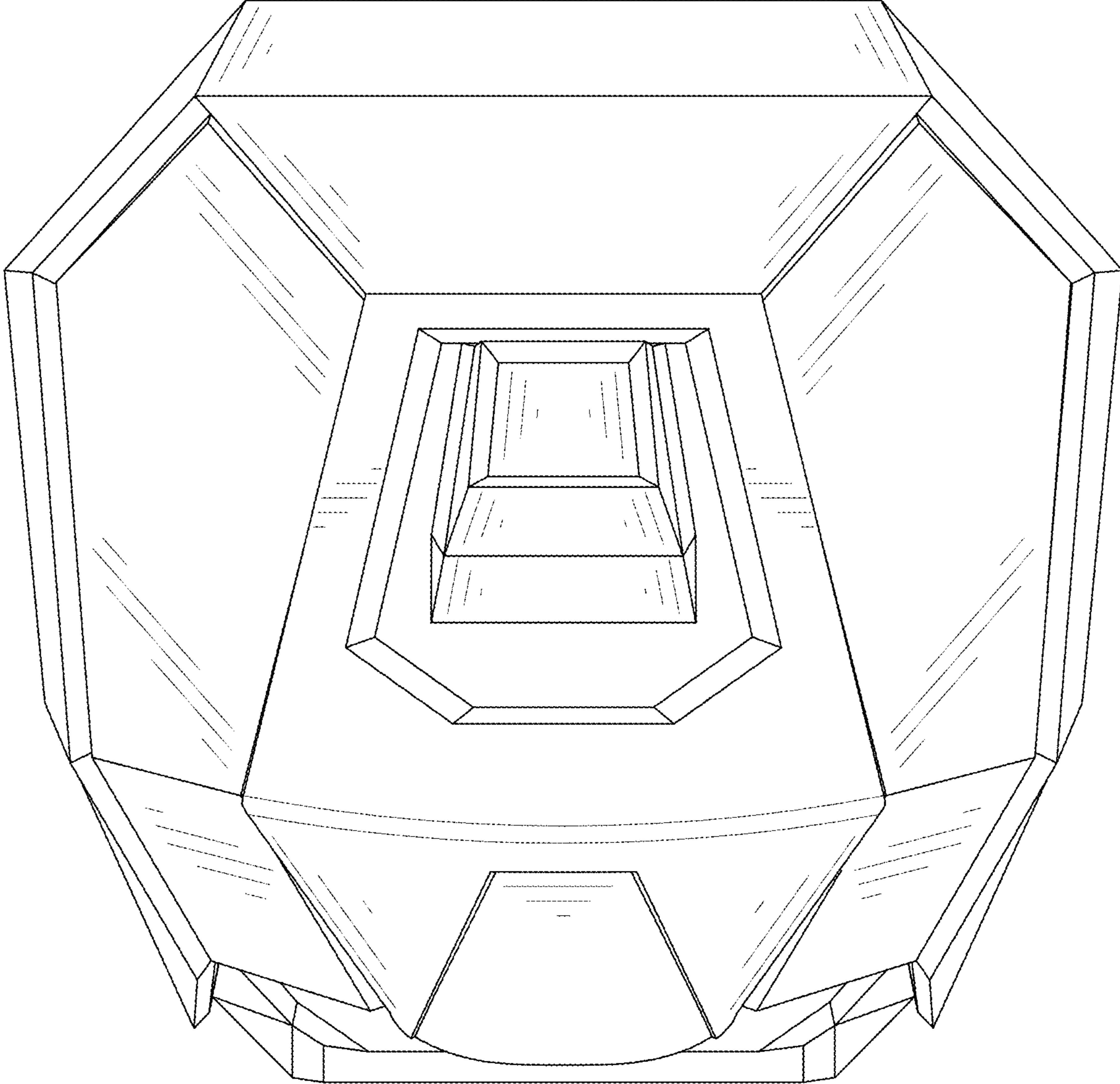


FIG. 7



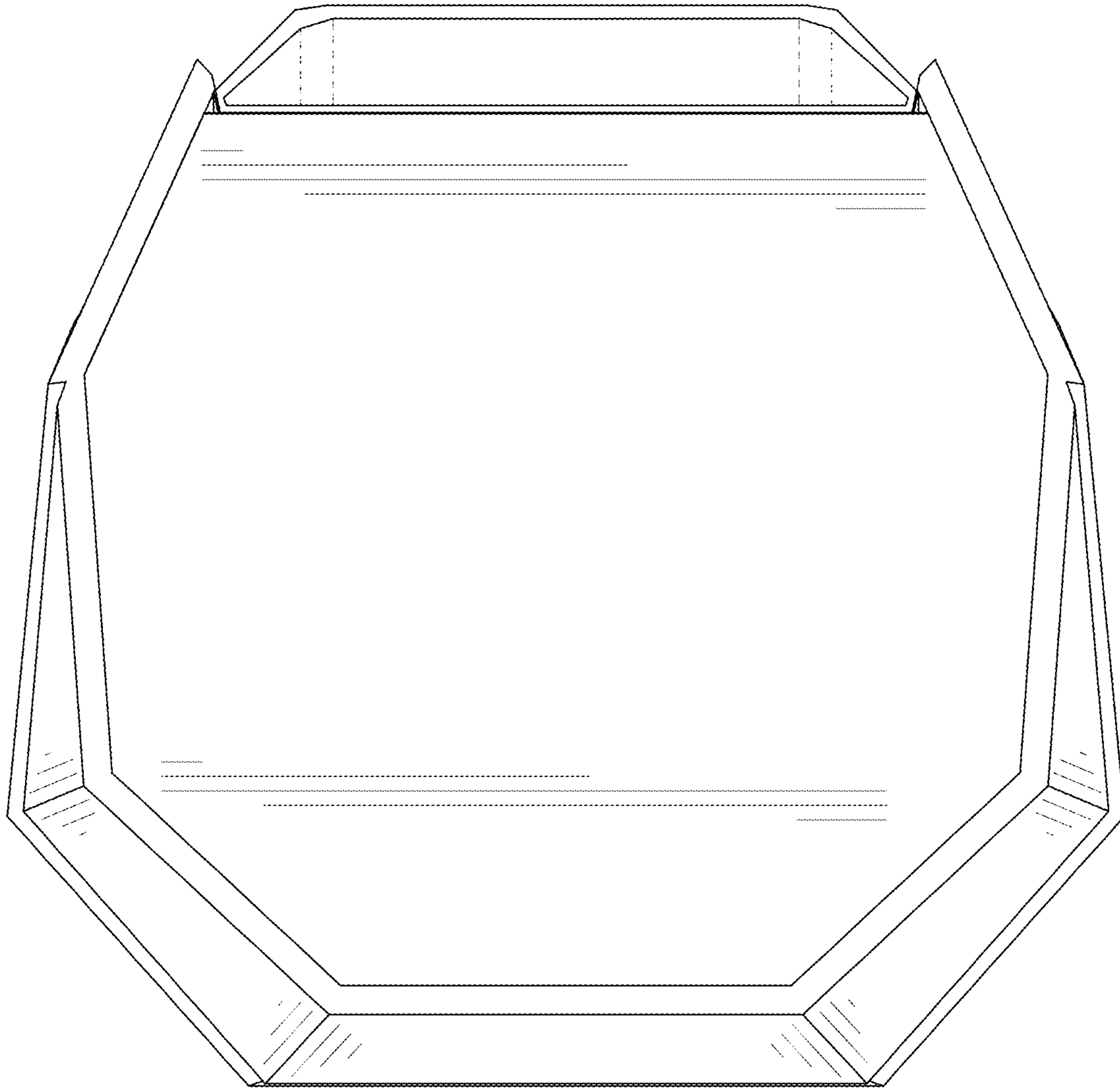


FIG. 8