



US00D988771S

(12) **United States Design Patent** (10) **Patent No.:** **US D988,771 S**  
**Rios** (45) **Date of Patent:** **\*\* \*Jun. 13, 2023**

(54) **TOASTER**  
(71) Applicant: **CONAIR LLC**, Stamford, CT (US)  
(72) Inventor: **Erick Rios**, New Haven, CT (US)  
(73) Assignee: **Conair LLC**, Stamford, CT (US)  
(\* ) Notice: This patent is subject to a terminal disclaimer.  
(\*\*) Term: **15 Years**  
(21) Appl. No.: **29/781,945**

8,239,784 B2 8/2012 Hotelling et al.  
D702,074 S 4/2014 De'Longhi et al.  
D724,885 S 3/2015 Kunz  
D746,624 S 1/2016 Sun  
D749,348 S \* 2/2016 Carlson ..... D7/330  
D765,456 S 9/2016 Lee et al.  
D777,501 S 1/2017 Lee et al.  
D796,890 S 9/2017 De'Longhi et al.  
D807,677 S \* 1/2018 Ho ..... D7/330  
D838,132 S 1/2019 Kowalewski et al.  
D859,856 S 9/2019 Josancy  
10,660,466 B2 5/2020 Yazvin et al.  
D886,505 S \* 6/2020 Thun ..... D7/330  
D927,239 S \* 8/2021 Brega ..... D7/330  
D927,915 S \* 8/2021 Brega ..... D7/330

(Continued)

(22) Filed: **May 3, 2021**  
(51) **LOC (14) Cl.** ..... **07-02**  
(52) **U.S. Cl.**  
USPC ..... **D7/330**  
(58) **Field of Classification Search**  
USPC ..... D7/323, 328-330, 390  
CPC ... A21B 2/00; A47J 37/00; A47J 37/06; A47J  
37/0611; A47J 37/08; A47J 37/0807;  
A47J 37/0814; A47J 37/0821; A47J  
37/0835; A47J 37/0842; A47J 37/085;  
A47J 37/0864; A47J 37/0878; A47J  
37/0885; A47J 37/0892; F24C 15/10;  
F24C 15/102

See application file for complete search history.

(56) **References Cited**  
U.S. PATENT DOCUMENTS

D193,599 S \* 9/1962 De Fano ..... D7/330  
3,866,525 A \* 2/1975 Oxel ..... A47J 37/0878  
99/357  
D359,876 S 7/1995 Osit  
D423,865 S 5/2000 Gaynor et al.  
D440,460 S 4/2001 Davis et al.  
D445,629 S 7/2001 Davis et al.  
D598,697 S 8/2009 De Pra'  
D628,429 S \* 12/2010 Ye ..... D7/330  
D644,473 S \* 9/2011 Pantaleo ..... D7/330

**OTHER PUBLICATIONS**

Cuisinart CPT-740 4-Slice Digital MemorySet Toaster. Date First Available on Amazon.com Oct. 30, 2020. [https://www.amazon.com/Cuisinart-CPT-740-4-Slice-Digital-MemorySet/dp/B08MBJPR1B/ref\(Year: 2020\).\\*](https://www.amazon.com/Cuisinart-CPT-740-4-Slice-Digital-MemorySet/dp/B08MBJPR1B/ref(Year: 2020).*)

*Primary Examiner* — Ricky Pham  
(74) *Attorney, Agent, or Firm* — Grogan, Tuccillo & Vanderleeden, LLP

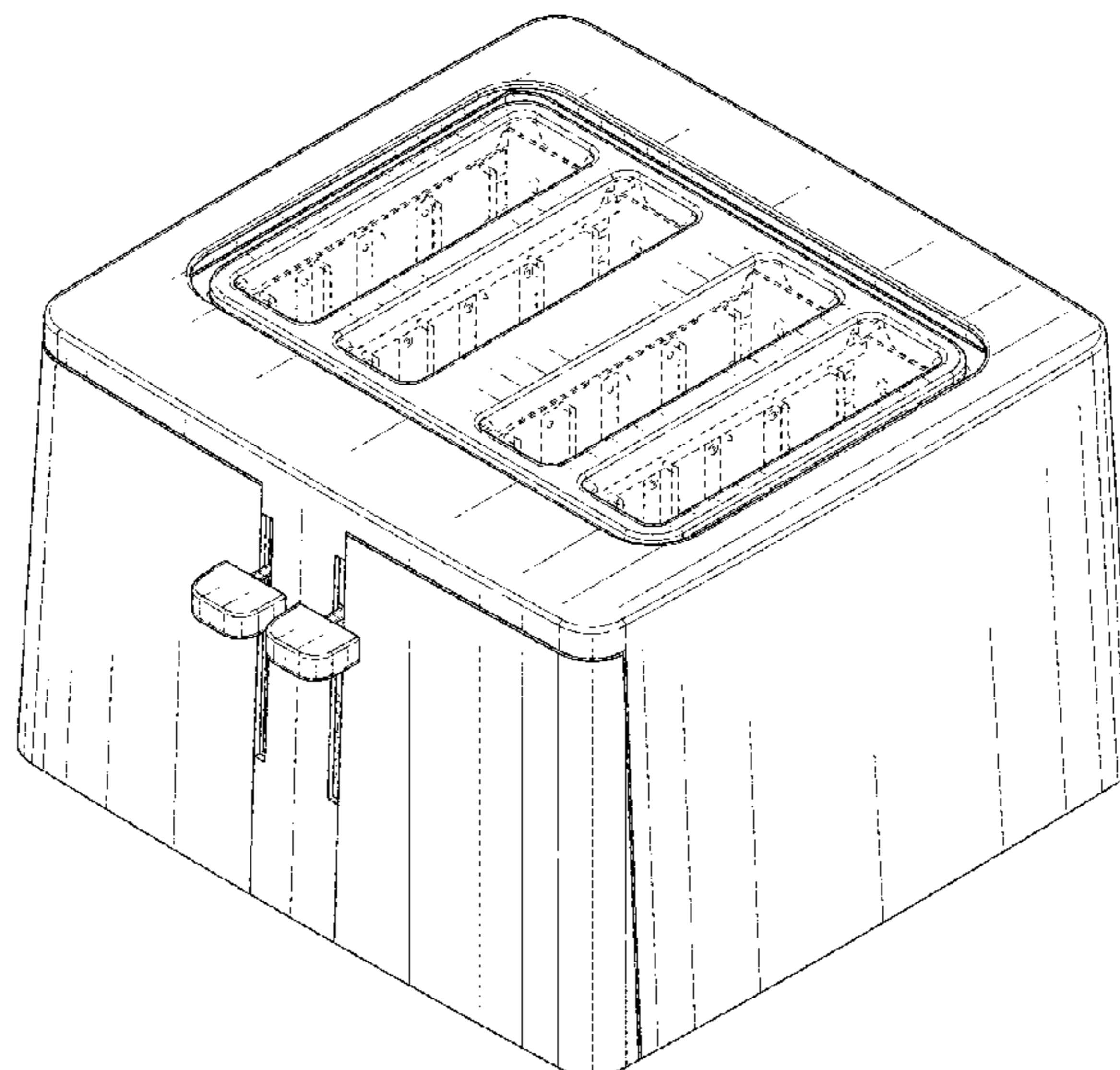
(57) **CLAIM**

The ornamental design for a toaster, as shown and described.

**DESCRIPTION**

FIG. 1 is a perspective view of a toaster showing a new design;  
FIG. 2 is a front elevational view thereof;  
FIG. 3 is a rear elevational view thereof;  
FIG. 4 is a left side elevational view thereof;  
FIG. 5 is right side elevational view thereof;  
FIG. 6 is a top plan view thereof; and,  
FIG. 7 is a bottom plan view thereof.  
The broken lines are for illustrative purposes only and form no part of the claimed design.

**1 Claim, 7 Drawing Sheets**



(56)

**References Cited**

U.S. PATENT DOCUMENTS

D929,168	S	*	8/2021	Lin	.....	D7/330
D932,821	S	*	10/2021	Wu	.....	D7/330
D944,582	S	*	3/2022	Qin	.....	D7/330
2015/0345068	A1		12/2015	Coffman et al.		
2018/0217709	A1		8/2018	Hotelling		

\* cited by examiner

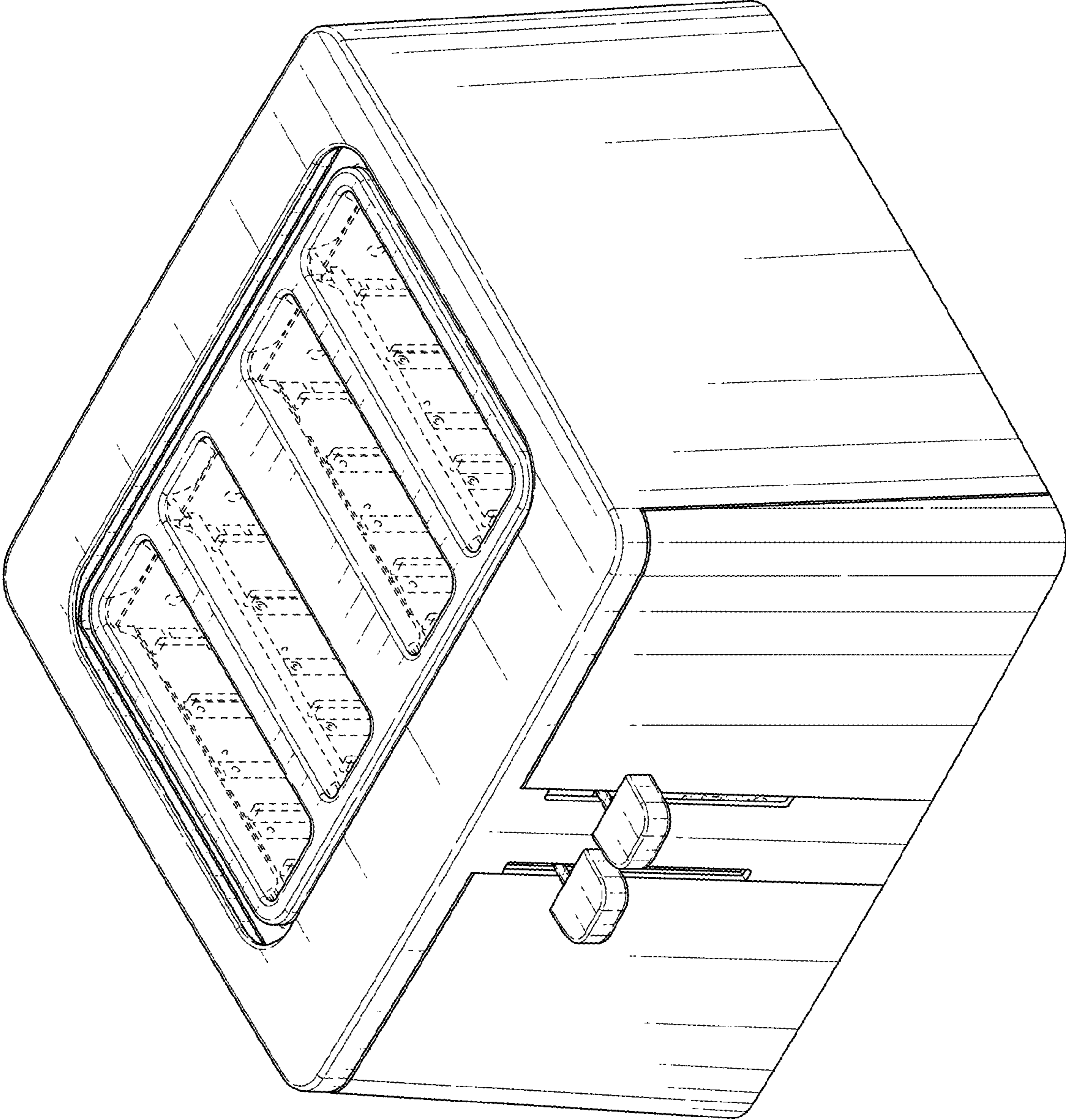


FIG. 1

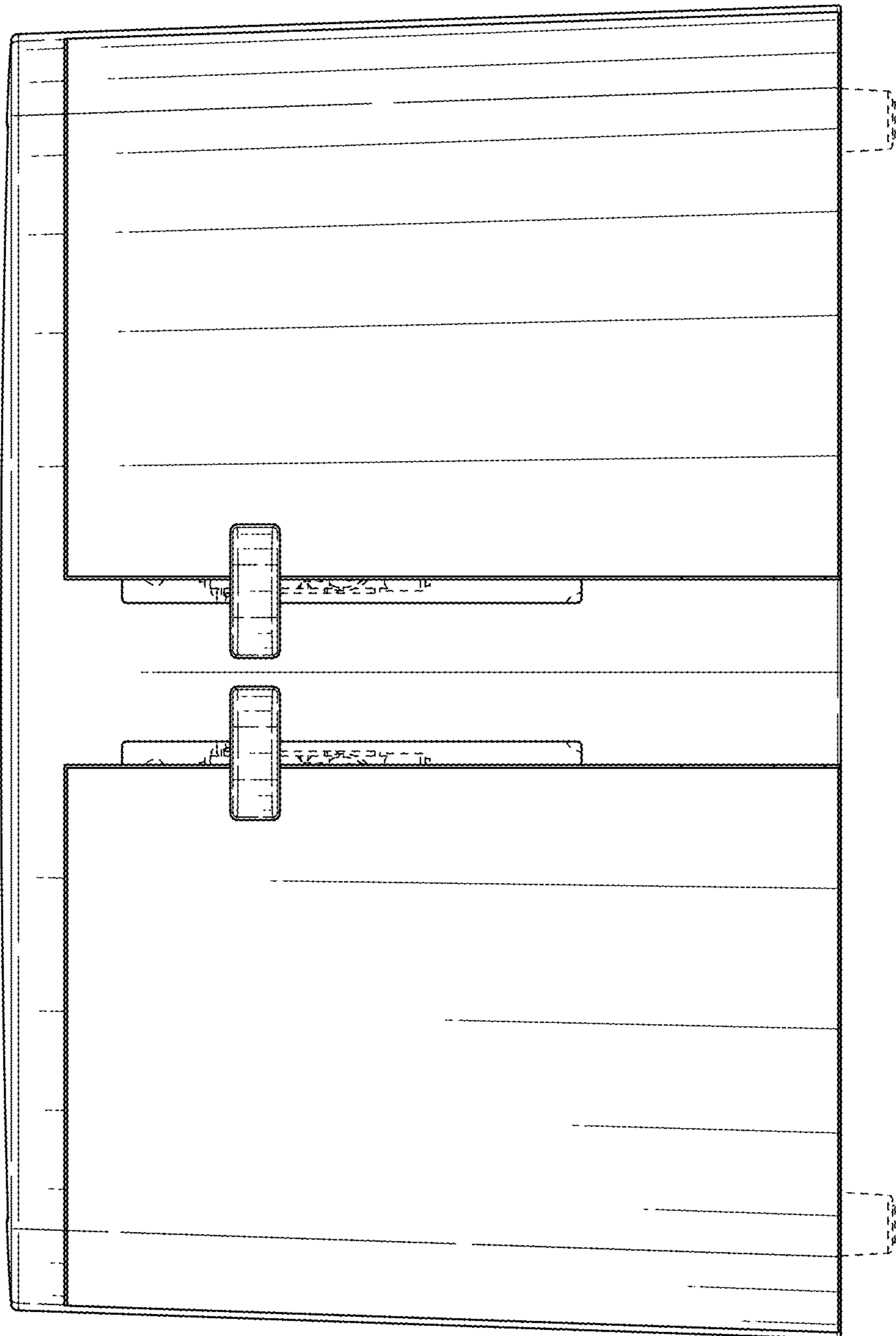


FIG. 2

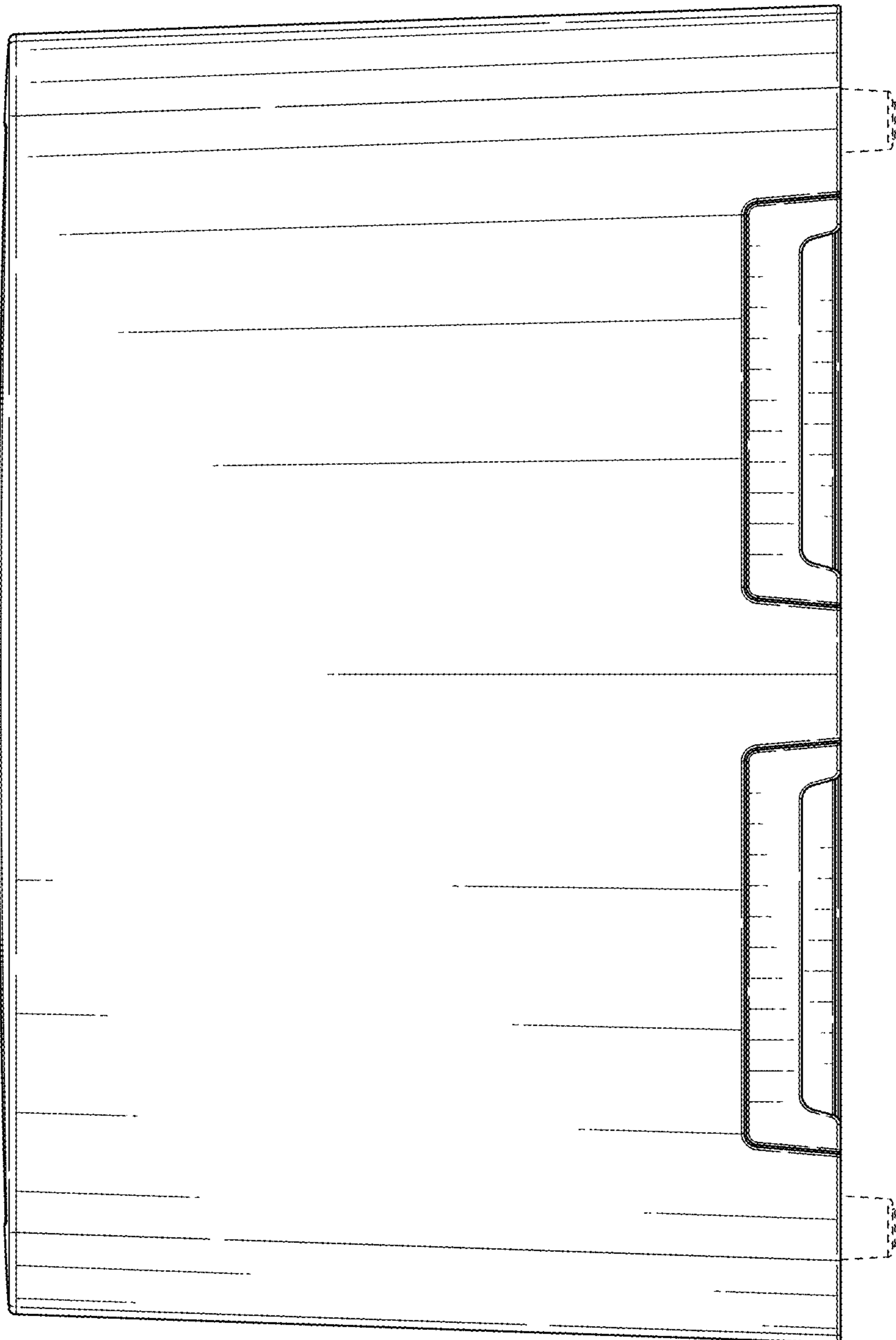


FIG. 3

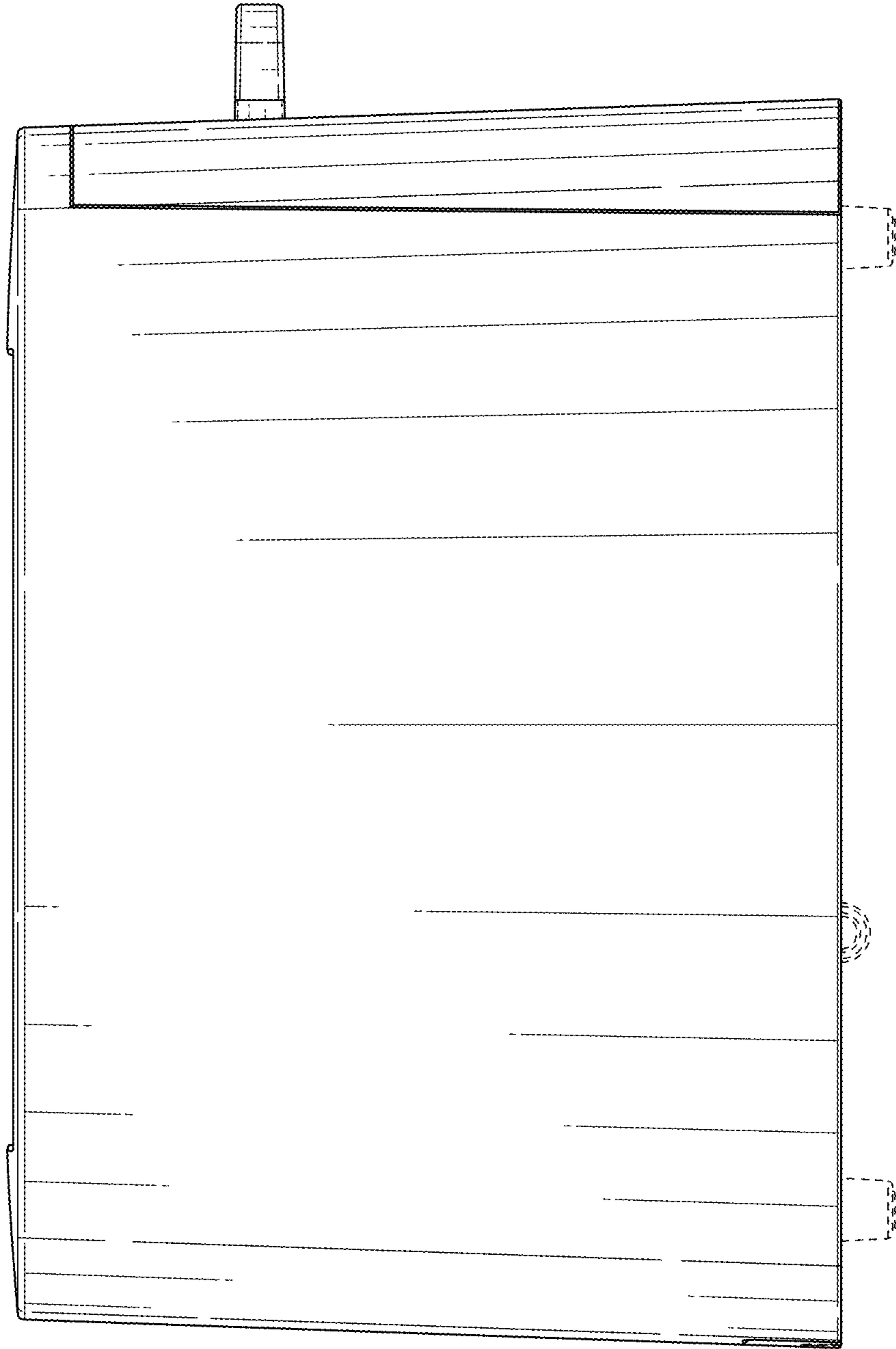


FIG. 4

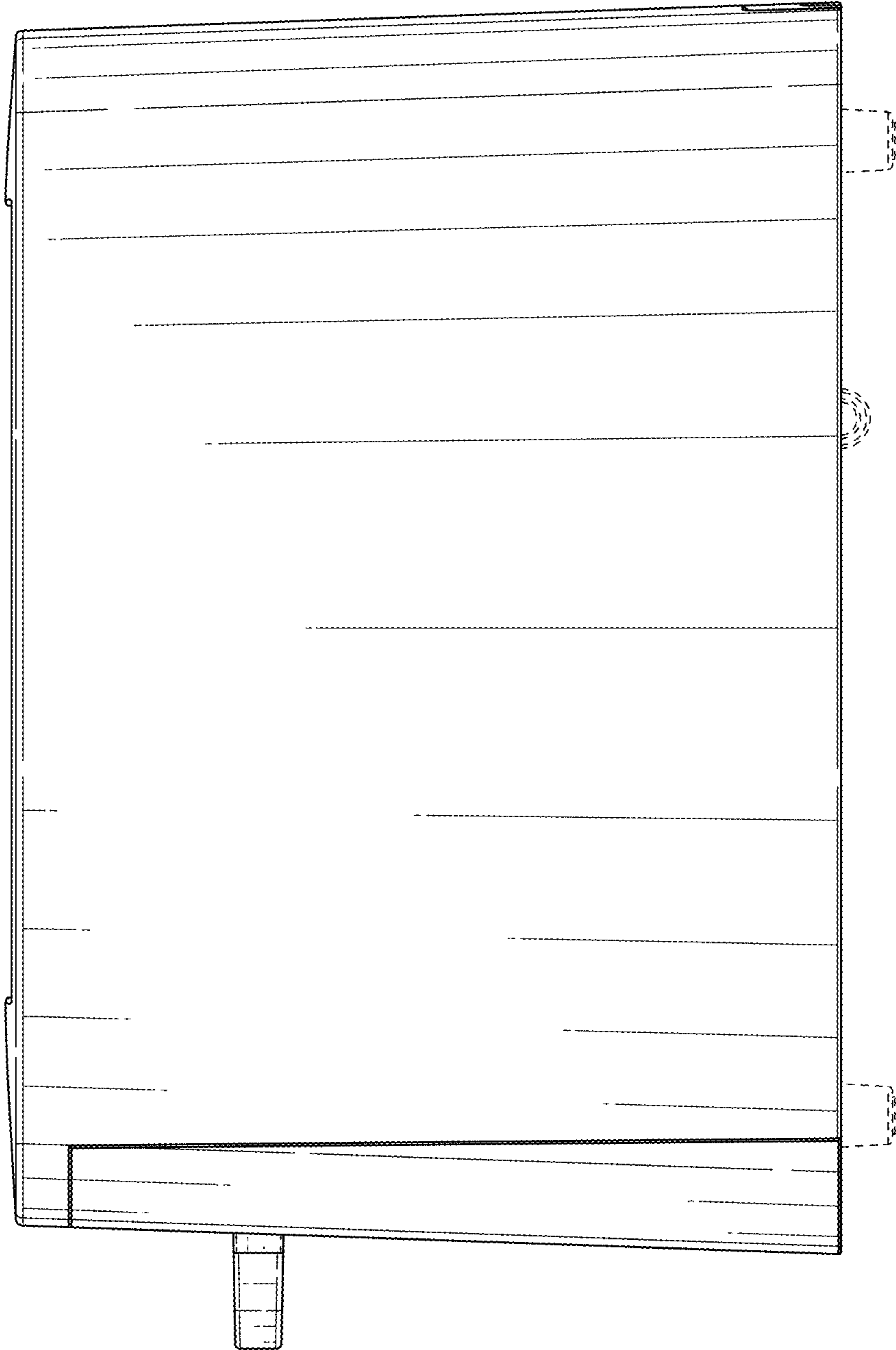


FIG. 5

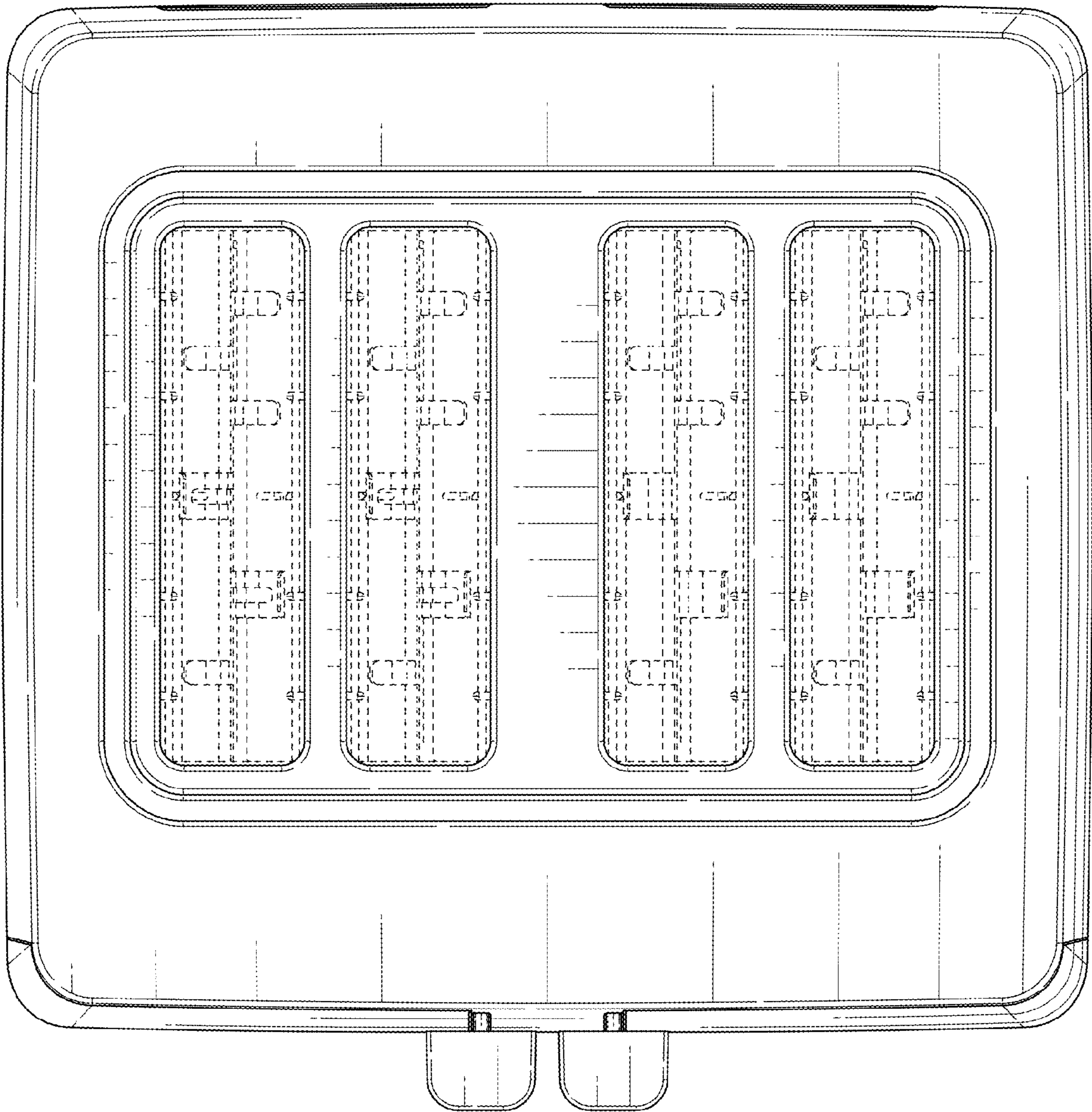


FIG. 6



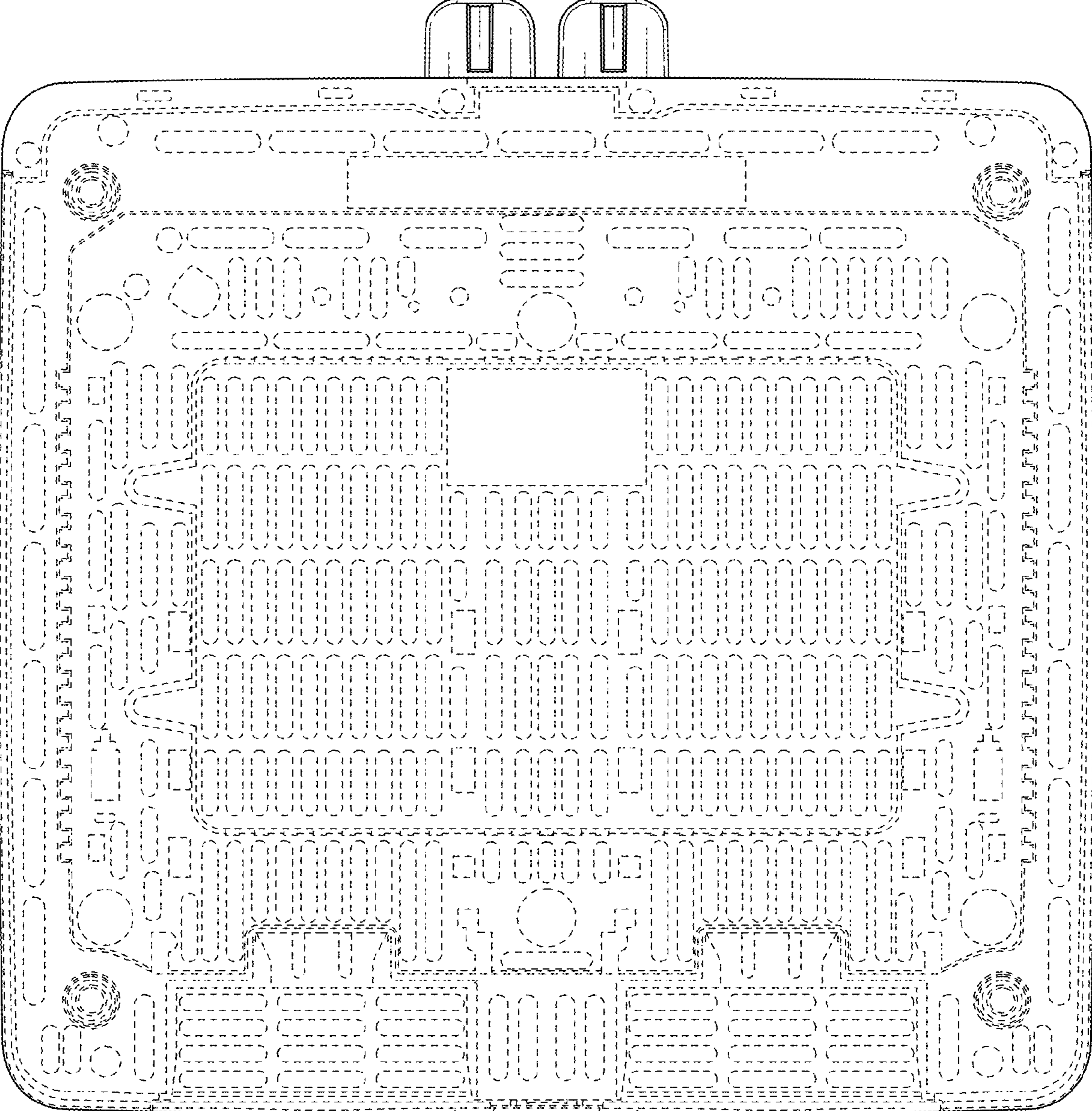


FIG. 7