



US00D988769S

(12) **United States Design Patent** (10) **Patent No.:** **US D988,769 S**
George et al. (45) **Date of Patent:** **** Jun. 13, 2023**

(54) **CARBONATOR**
(71) Applicant: **Trade Motion GmbH**, Buchholz in der Nordheide (DE)
(72) Inventors: **Jeff George**, Chicago, IL (US); **David Kendall**, Austin, TX (US)
(73) Assignee: **Trade Motion GmbH**, Buchholz in der Nordheide (DE)

D834,869 S * 12/2018 Ljungh D7/311
D843,765 S * 3/2019 Fedorak D7/311
D859,911 S * 9/2019 Steiner D7/384
D879,534 S * 3/2020 Donaghey D7/311
D899,840 S * 10/2020 Hellweg D7/397

FOREIGN PATENT DOCUMENTS

EM 006950416-0001 * 10/2019
EM 008503197-0001 * 4/2021

OTHER PUBLICATIONS

Hershman, Julie, "Aarke Carbonator II Review," Sep. 25, 2020, The Spruce Eats, www.thespruceeats.com/aarke-carbonator-ii-review-5077981 (Year: 2020).
"Wassersprudler," Accessed Mar. 4, 2023, True Kitchen, <https://true-kitchen.com/collections/wassersprudler/products/wassersprudler> (Year: 2023).*

* cited by examiner

Primary Examiner — Joseph Kukella
Assistant Examiner — Arva P Adams
(74) *Attorney, Agent, or Firm* — Smartpat PLC

(**) Term: **15 Years**
(21) Appl. No.: **29/772,973**
(22) Filed: **Mar. 5, 2021**
(30) **Foreign Application Priority Data**
Feb. 3, 2021 (EM) 008423958-0001
(51) **LOC (14) Cl.** **31-00**
(52) **U.S. Cl.**
USPC **D7/313**; D7/306; D7/311
(58) **Field of Classification Search**
USPC D7/300, 305, 306, 309–313, 397, 398
CPC A23L 2/54; A47J 31/00; A47J 31/0573;
A47J 31/18; A47J 31/407; A47J 31/46;
A47J 31/50; A47J 31/52; B67D 1/00;
B67D 1/0057; B67D 1/0071; B67D
1/0072; B67D 1/0406
See application file for complete search history.

(57) **CLAIM**

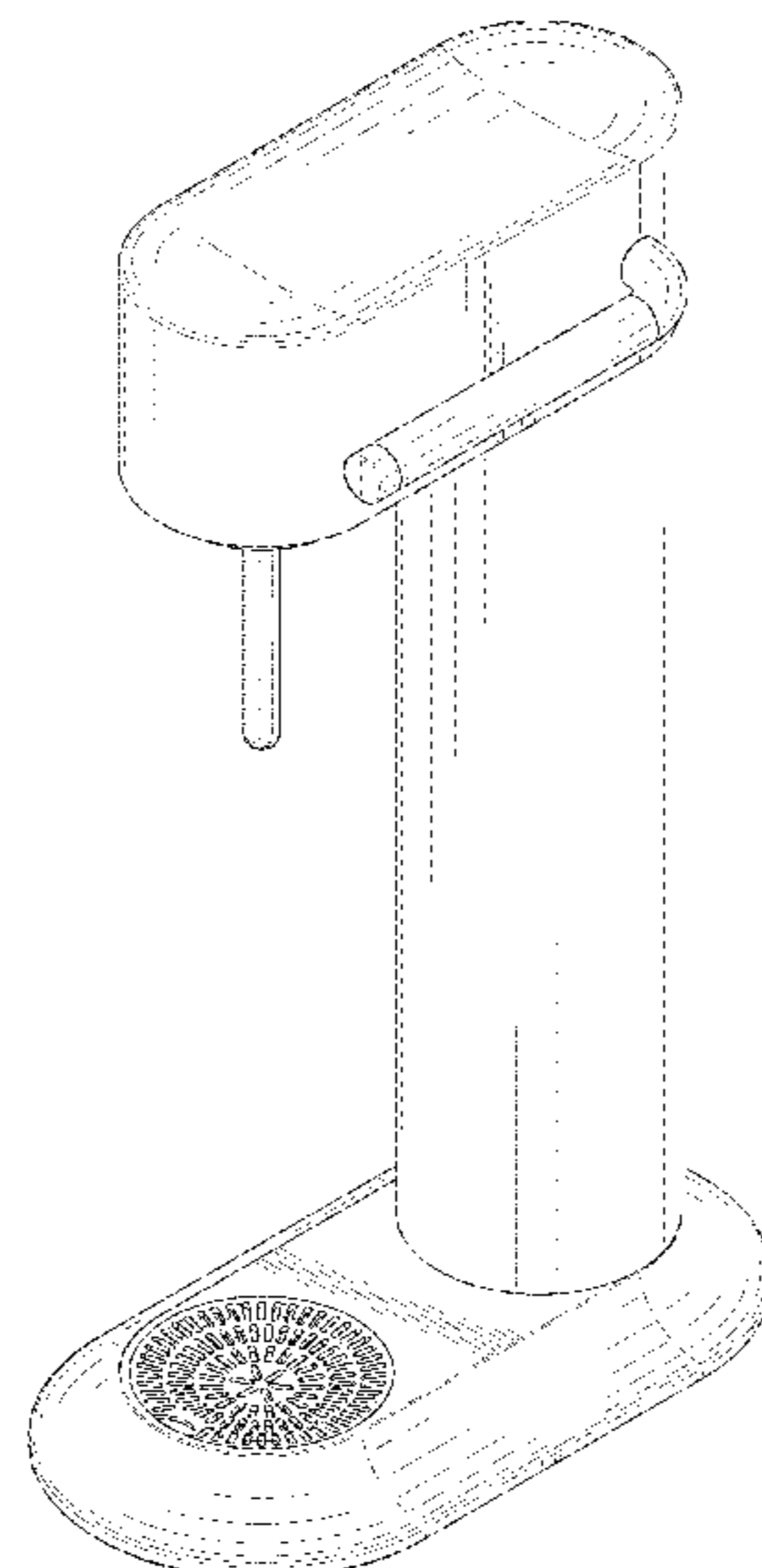
We claim the ornamental design for a carbonator, as shown and described.

DESCRIPTION

FIG. 1 is a top, front, left side perspective view of a carbonator showing our new design;
FIG. 2 is a bottom, rear, right side perspective view thereof;
FIG. 3 is a front view thereof;
FIG. 4 is a left side view thereof;
FIG. 5 is a rear view thereof;
FIG. 6 is a right side view thereof;
FIG. 7 is a top view thereof; and,
FIG. 8 is a bottom view thereof.

1 Claim, 7 Drawing Sheets

(56) **References Cited**
U.S. PATENT DOCUMENTS
D87,893 S * 10/1932 Stroud D7/379
D207,407 S * 4/1967 Rogenski D7/379
D229,897 S * 1/1974 Martin D7/309
D278,200 S * 4/1985 Dahlberg D23/209
D502,841 S * 3/2005 Santer D7/311
D535,851 S * 1/2007 Vavasseur D7/379
D584,916 S * 1/2009 Christou D7/376
D760,010 S * 6/2016 Hellweg D7/311



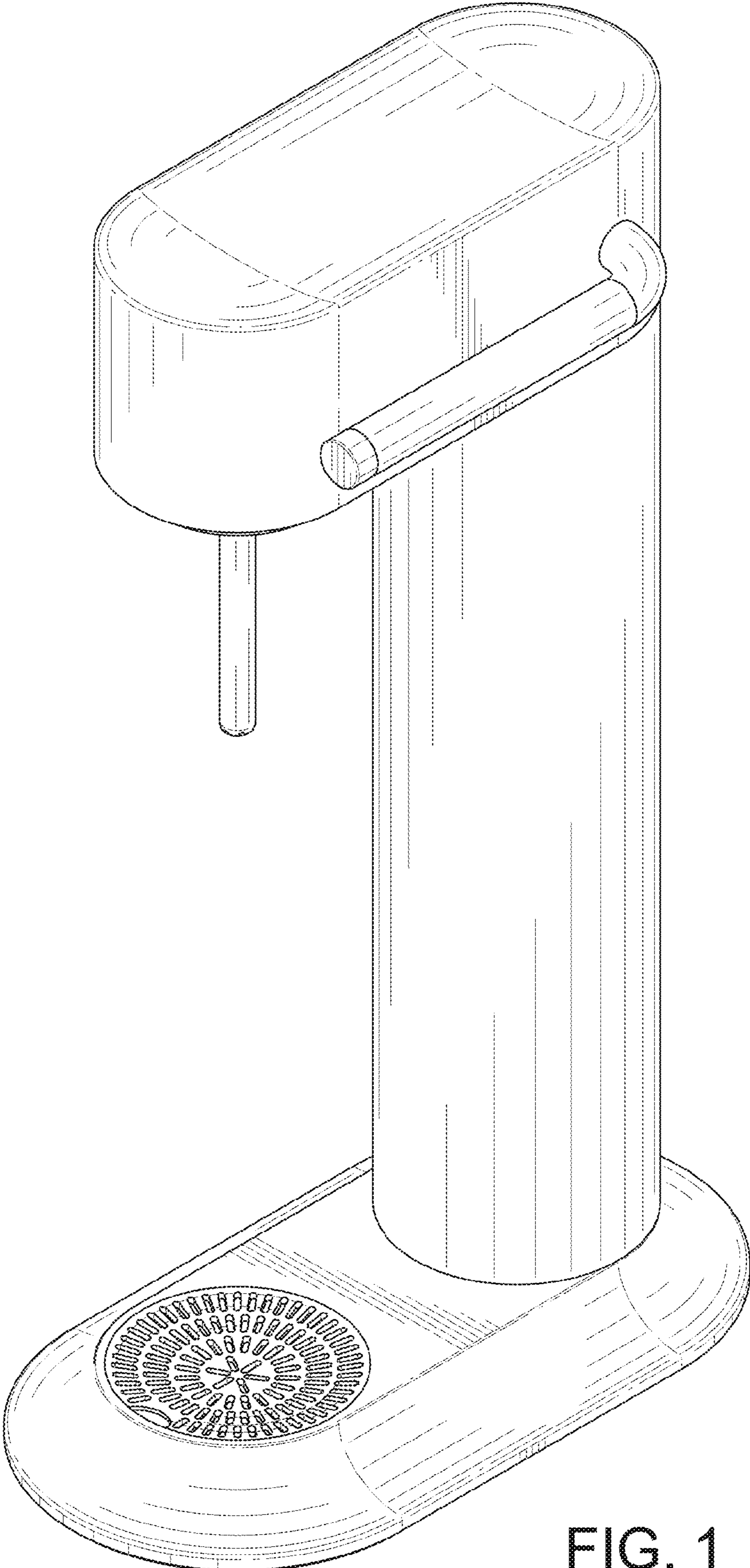


FIG. 1

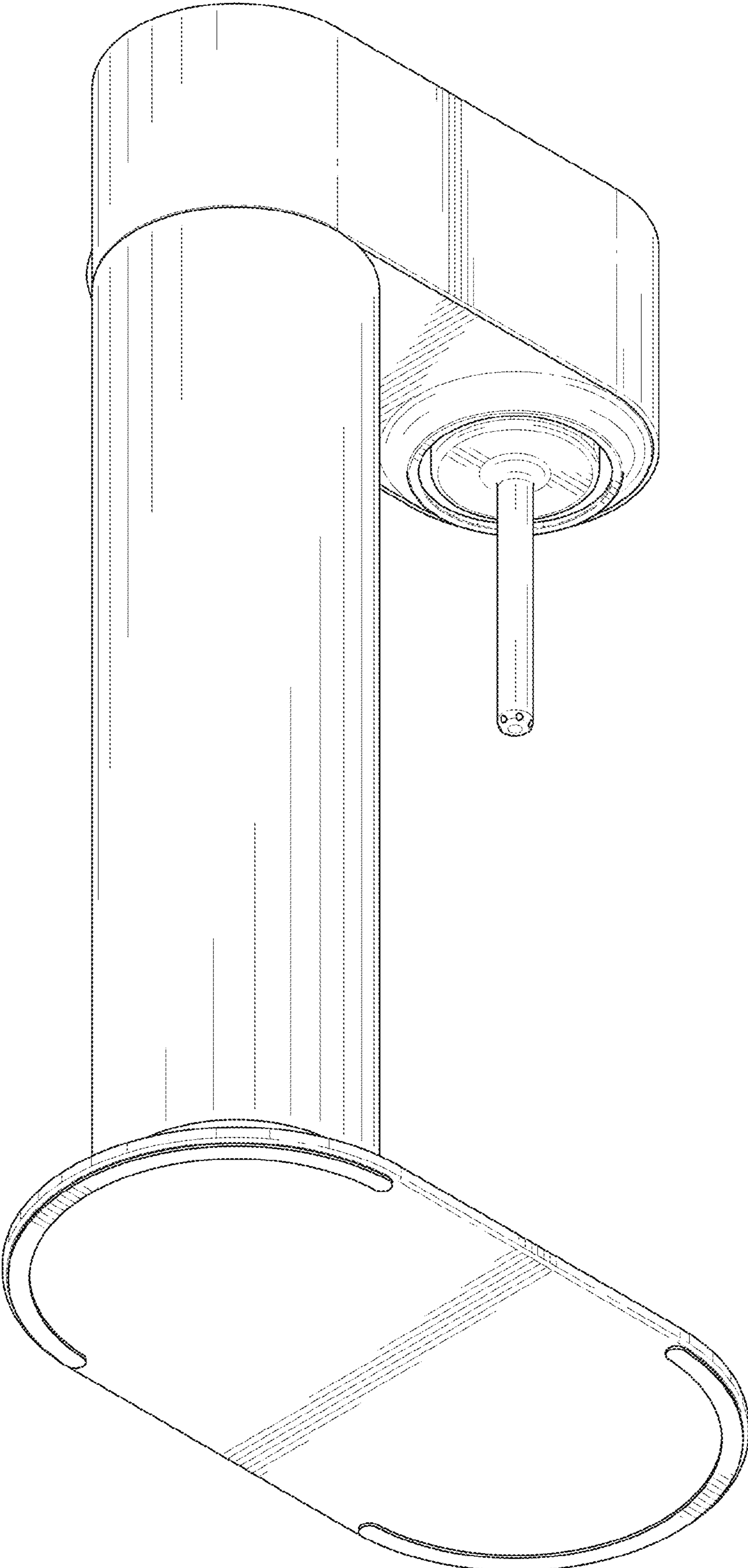


FIG. 2

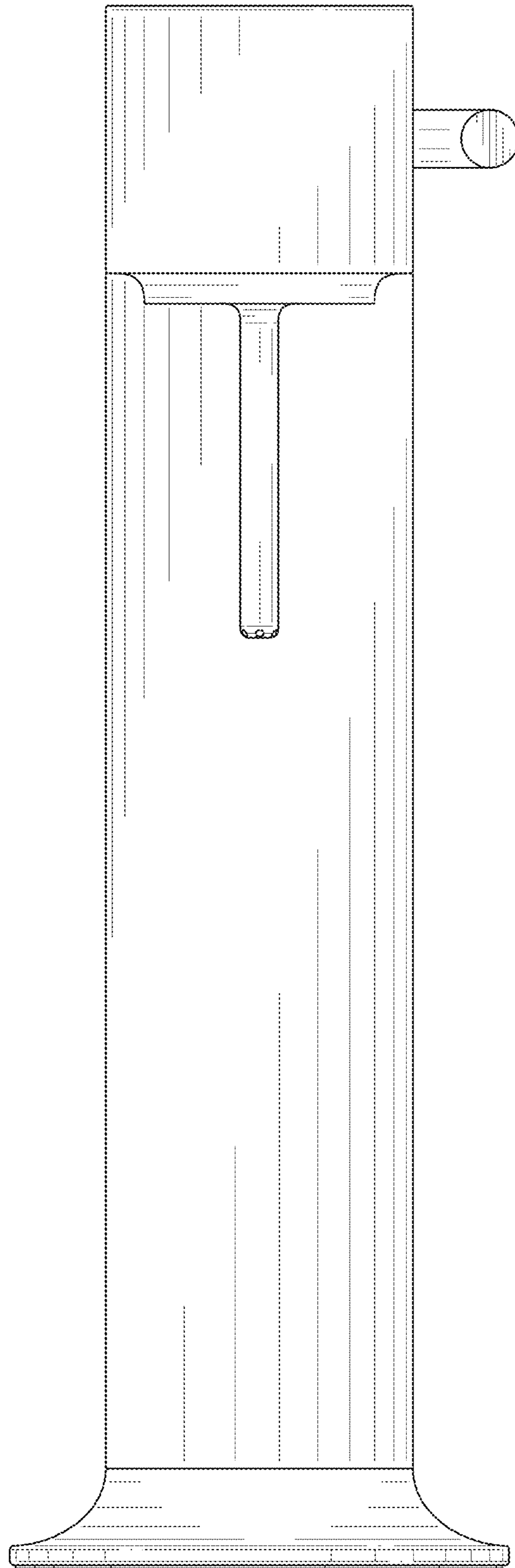


FIG. 3

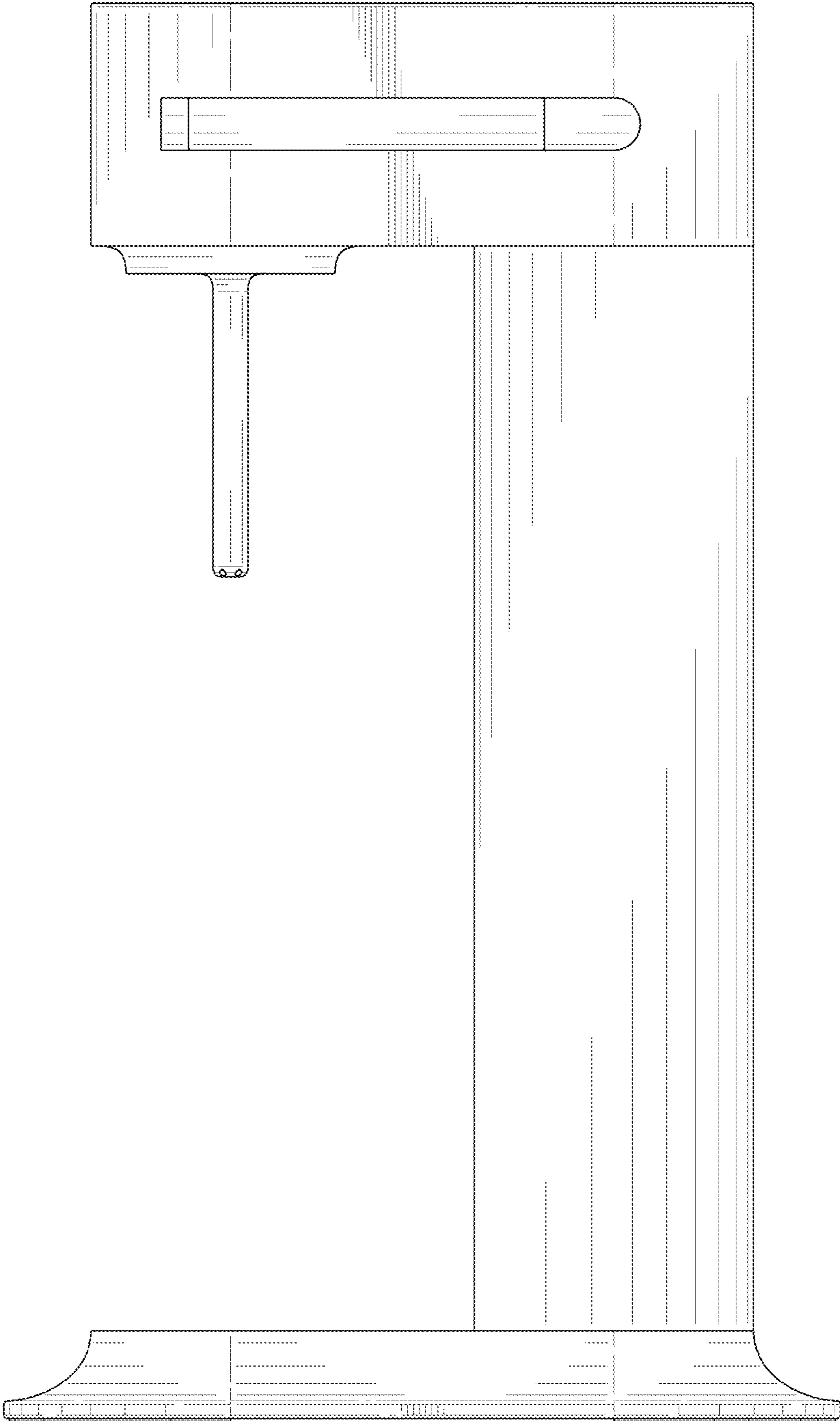


FIG. 4

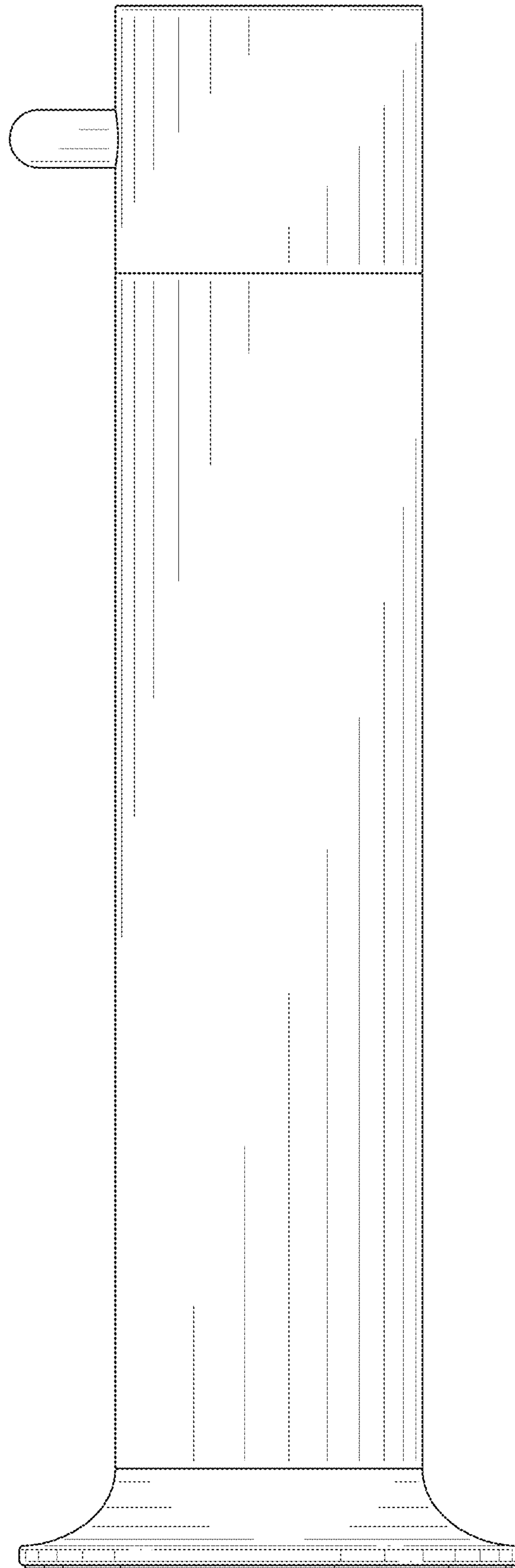


FIG. 5

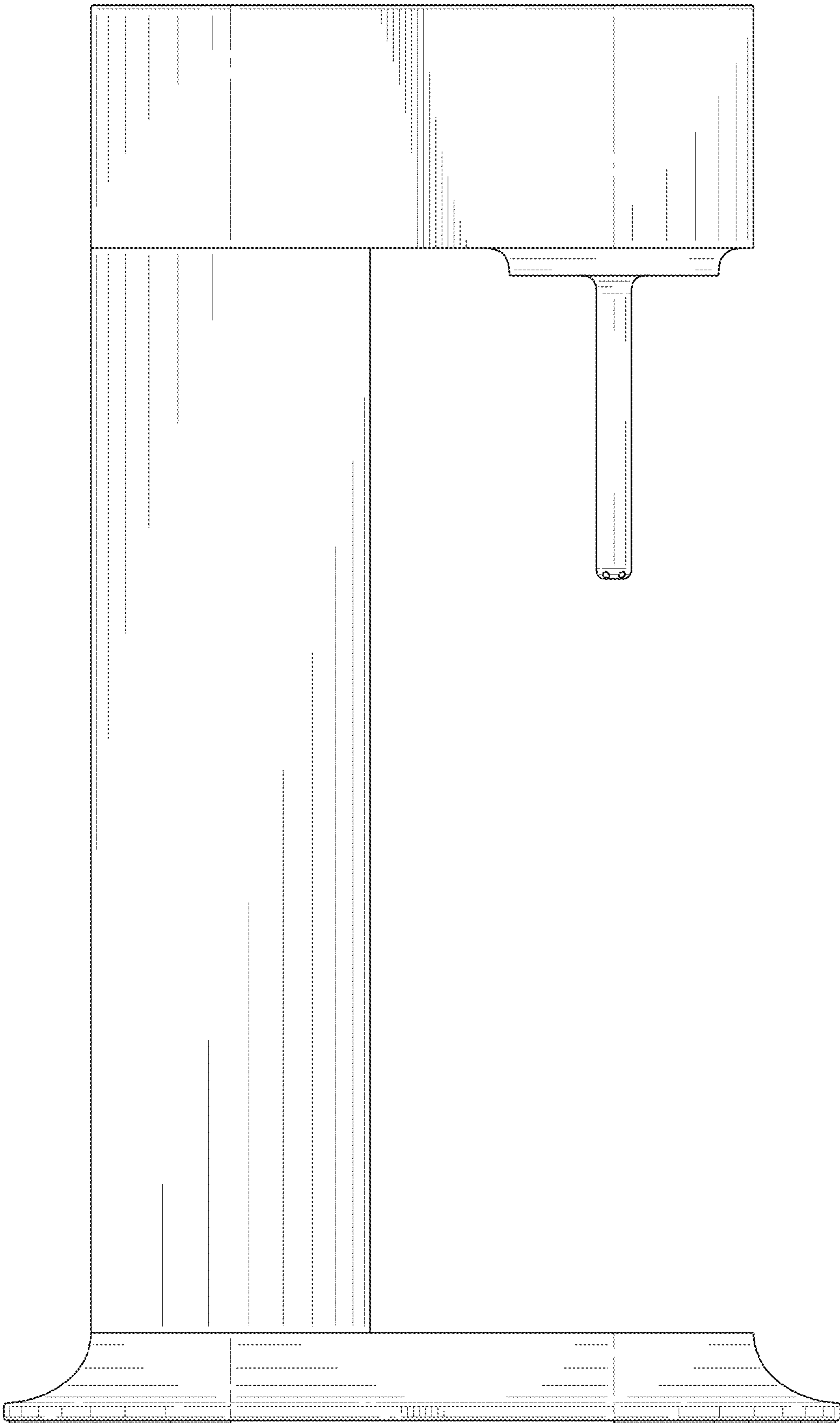


FIG. 6

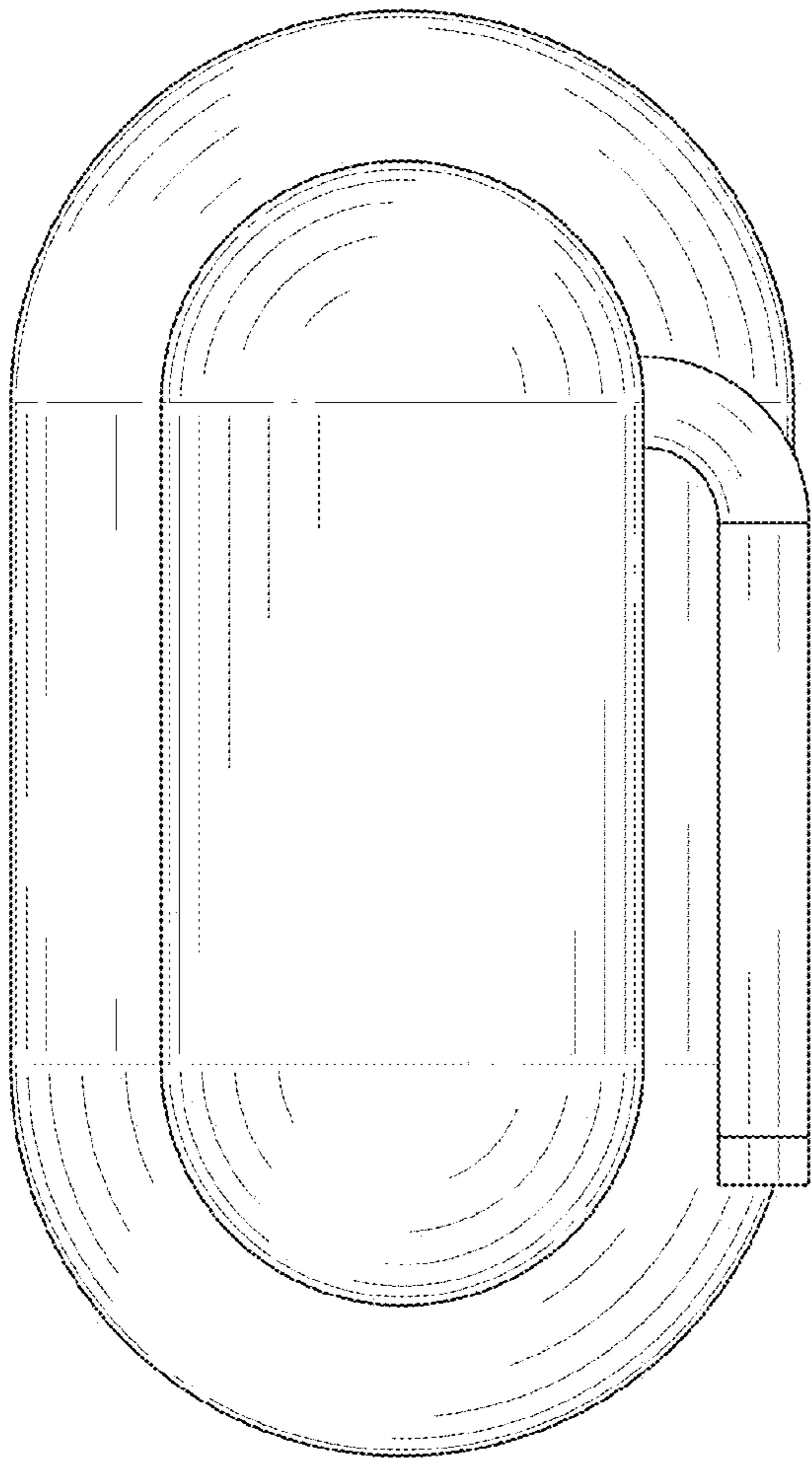


FIG. 7

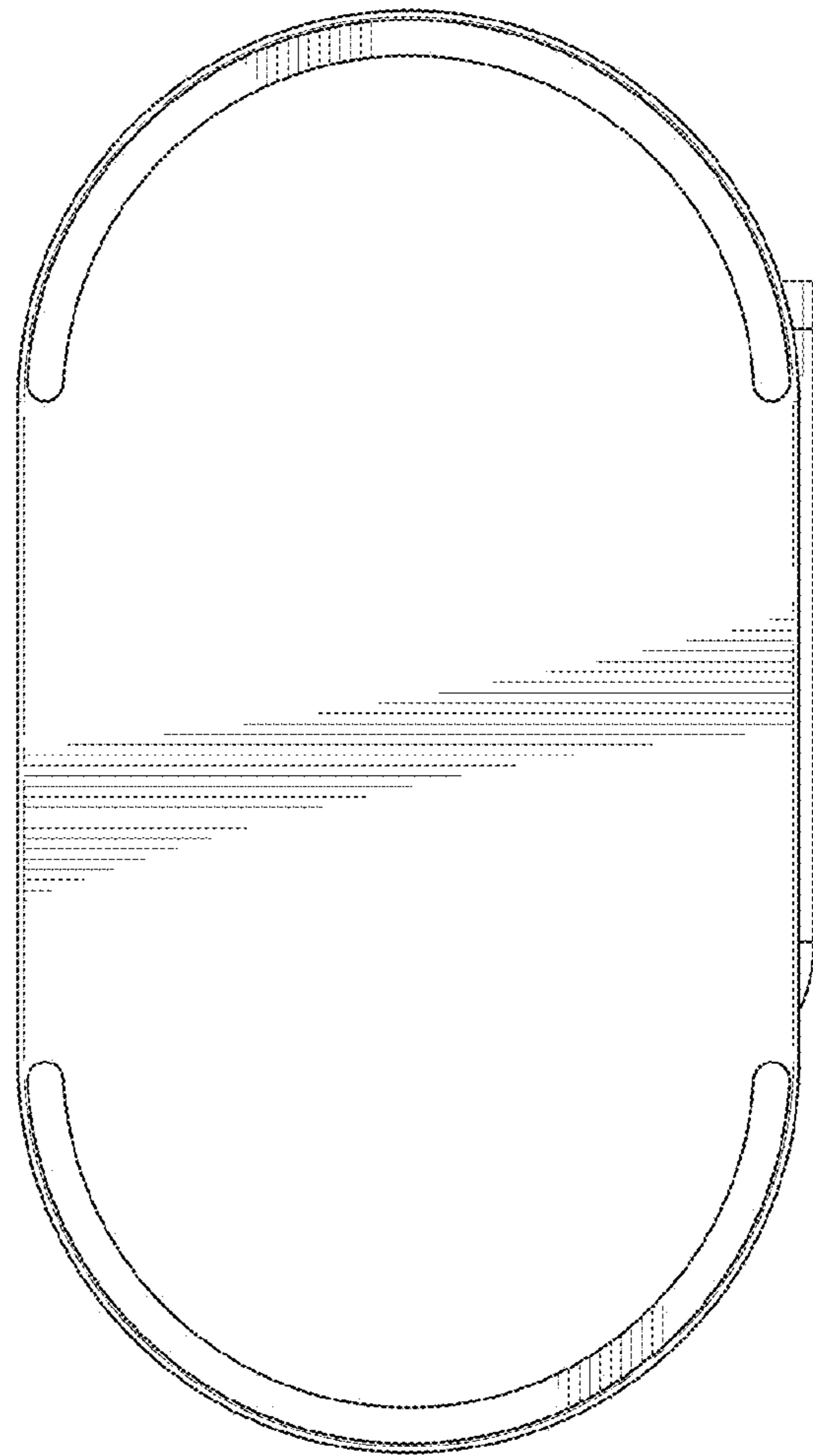


FIG. 8