



US00D988768S

(12) **United States Design Patent**
Laitila et al.

(10) **Patent No.:** **US D988,768 S**
(45) **Date of Patent:** **** Jun. 13, 2023**

- (54) **CHECKOUT COUNTER**
- (71) Applicant: **MTR HOLDINGS INC.**, Peterborough (CA)
- (72) Inventors: **Mika Laitila**, Peterborough (CA); **Toni Laitila**, Peterborough (CA); **Antero Laitila**, Peterborough (CA)
- (73) Assignee: **MTR HOLDINGS INC.**, Peterborough (CA)
- (**) Term: **15 Years**
- (21) Appl. No.: **29/744,042**
- (22) Filed: **Jul. 27, 2020**

- D183,026 S * 6/1958 Slikkers D6/698
- D183,447 S * 9/1958 Crawford D6/698
- 2,958,990 A * 11/1960 Kerker B65B 5/067
53/529
- D189,773 S * 2/1961 Larson D6/698
- D192,545 S * 4/1962 Schild D6/698
- D193,079 S * 6/1962 Hittinger D6/698
- D193,820 S * 10/1962 Hittinger D6/698

(Continued)

Primary Examiner — Catherine Ho
(74) *Attorney, Agent, or Firm* — Conneely PC; Joseph Conneely

(57) **CLAIM**

The ornamental design for a checkout counter, as shown and described.

DESCRIPTION

FIG. 1 is a front left side perspective view of a checkout counter according to the design;
 FIG. 2 is an enlarged front left side perspective fragmentary view of the upper end portion of the checkout counter shown in FIG. 1;
 FIG. 3 is a front right side perspective view of the checkout counter of FIG. 1;
 FIG. 4 is a rear right side perspective view thereof;
 FIG. 5 is a rear left side perspective view thereof;
 FIG. 6 is a left side view thereof;
 FIG. 7 is a right side view thereof;
 FIG. 8 is a rear view thereof;
 FIG. 9 is a front view thereof; and,
 FIG. 10 is a reduced top view thereof.

All broken line portions of the figure drawings are included to show portions of the article that form no part of the claimed design. The dot-dash broken lines in FIG. 1 encircling a portion of the claimed design that is illustrated in an enlarged view in FIG. 2 form no part of the claimed design. The dot-dash broken lines in FIG. 2 indicate the outermost limits of the enlarged area encircled in FIG. 1 and form no part of the claimed design.

Related U.S. Application Data

(62) Division of application No. 29/627,221, filed on Nov. 23, 2017, now Pat. No. Des. 891,163.

(51) **LOC (14) Cl.** **06-03**

(52) **U.S. Cl.**
USPC **D6/698**; D6/699

(58) **Field of Classification Search**
 USPC D6/698, 699, 699.1–699.4; D34/29
 CPC .. G06Q 20/0855; G06Q 20/085; G06Q 20/10;
 G06Q 20/102; G06Q 20/12; G06Q 20/14;
 G06Q 20/145; G06Q 20/20; G06Q
 20/201; G06Q 20/202; G06Q 20/208;
 G07G 5/00; G07G 1/00; G07G 1/10;
 G07G 1/12

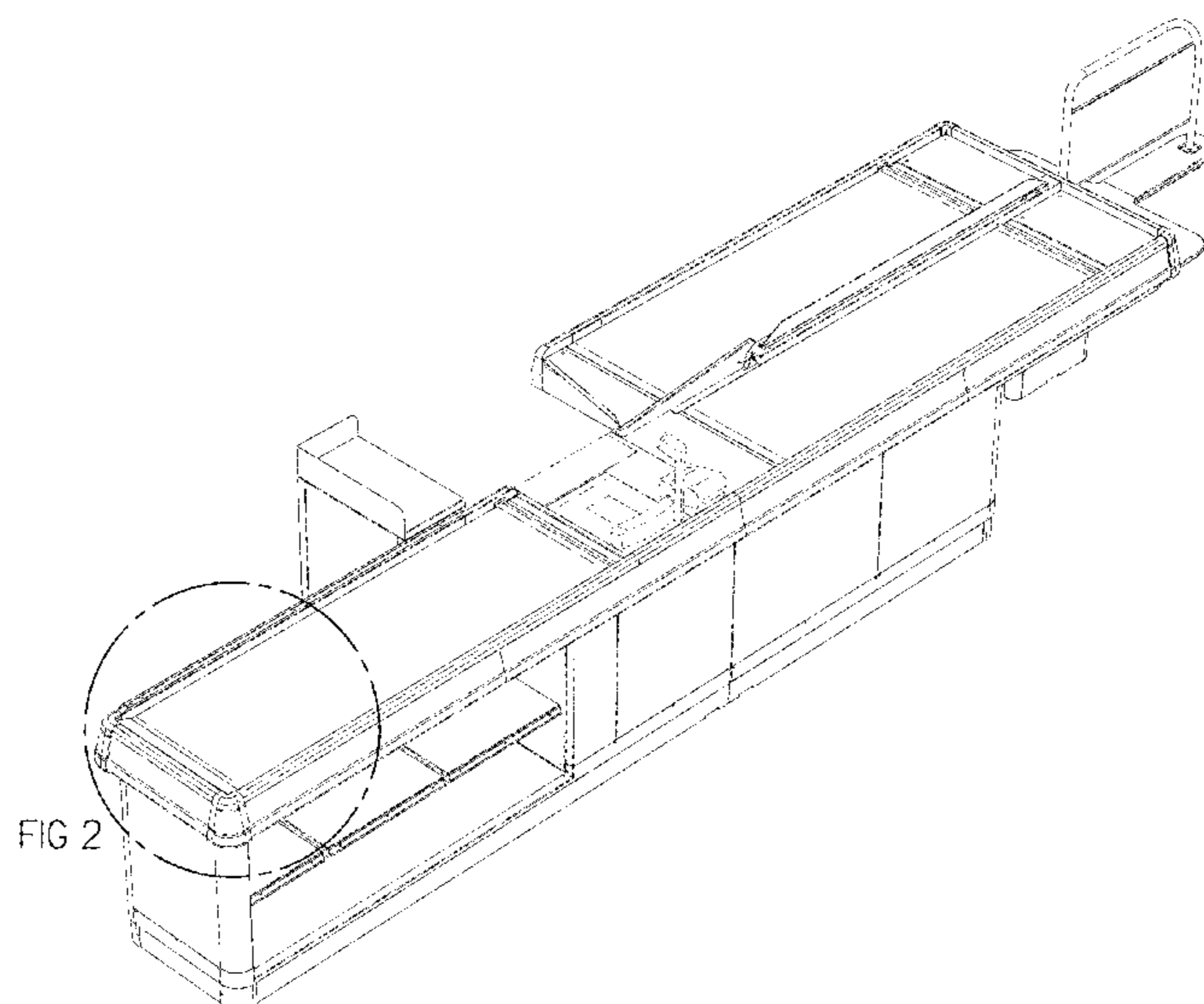
See application file for complete search history.

(56) **References Cited**

U.S. PATENT DOCUMENTS

- D167,773 S * 9/1952 Rubaloff D6/698
- 2,625,241 A 1/1953 Smith
- D171,915 S * 4/1954 Stapp D6/698
- 2,723,728 A * 11/1955 Crawford A47F 9/04
198/572

1 Claim, 10 Drawing Sheets



(56)

References Cited

U.S. PATENT DOCUMENTS

3,262,519 A 7/1966 Cohen
 D216,232 S * 12/1969 Stackhouse D6/698
 D221,362 S * 8/1971 Henderson D6/698
 3,678,660 A * 7/1972 Musser B65B 67/04
 53/391
 3,690,411 A * 9/1972 Werner Potrafke A47F 9/04
 186/68
 D241,996 S * 10/1976 Fenwick D6/698
 D241,997 S * 10/1976 Fenwick D6/698
 3,990,540 A * 11/1976 Aleshire A47F 9/04
 312/282
 D249,767 S * 10/1978 Duke D6/698
 4,265,336 A * 5/1981 Foster A47F 9/04
 198/632
 D261,710 S * 11/1981 Onstead D6/698
 D264,654 S 6/1982 Langen et al.
 D283,181 S 4/1986 McMillion
 D283,379 S 4/1986 Adams
 D289,113 S * 4/1987 Woolf D6/698
 4,909,356 A * 3/1990 Rimondi A47F 9/04
 53/134.1
 5,167,301 A 12/1992 Cappi et al.
 5,191,196 A * 3/1993 Mercede G06K 7/015
 235/475
 5,252,814 A 10/1993 Tooley
 5,358,094 A * 10/1994 Molinaro G09F 19/22
 40/524
 D396,573 S * 8/1998 Dewitt D6/698
 6,155,381 A 12/2000 White et al.

6,427,915 B1 * 8/2002 Wike, Jr. G07G 1/0045
 235/383
 6,533,073 B2 3/2003 Chernik, Jr. et al.
 6,715,677 B1 * 4/2004 Nugent, Jr. G07G 1/0054
 235/383
 D648,953 S * 11/2011 Kruse D6/699
 D686,011 S * 7/2013 Credle D6/699
 8,783,438 B2 * 7/2014 Phan B65G 47/766
 198/367
 D751,325 S * 3/2016 Catoe G06Q 20/20
 D6/699
 10,210,361 B1 * 2/2019 Catoe G07G 1/0018
 D891,163 S 7/2020 Laitila et al.
 2009/0090583 A1 * 4/2009 Bonner G06Q 30/06
 186/59
 2009/0141329 A1 * 6/2009 Kakino G06K 7/10831
 359/205.1
 2009/0194586 A1 * 8/2009 Sasaki G06Q 20/20
 235/383
 2011/0089234 A1 * 4/2011 Iida G07G 1/0054
 235/383
 2013/0208122 A1 * 8/2013 Iizaka H04N 7/18
 348/150
 2015/0063639 A1 * 3/2015 Kakino G06F 16/5854
 382/103
 2016/0203508 A1 * 7/2016 Sambe G06Q 30/0267
 705/14.41
 2017/0355531 A1 * 12/2017 Bacallao A47F 9/047
 2018/0025591 A1 * 1/2018 Takano G06Q 20/208
 705/23
 2021/0081919 A1 * 3/2021 Sakurai G06Q 20/208

* cited by examiner

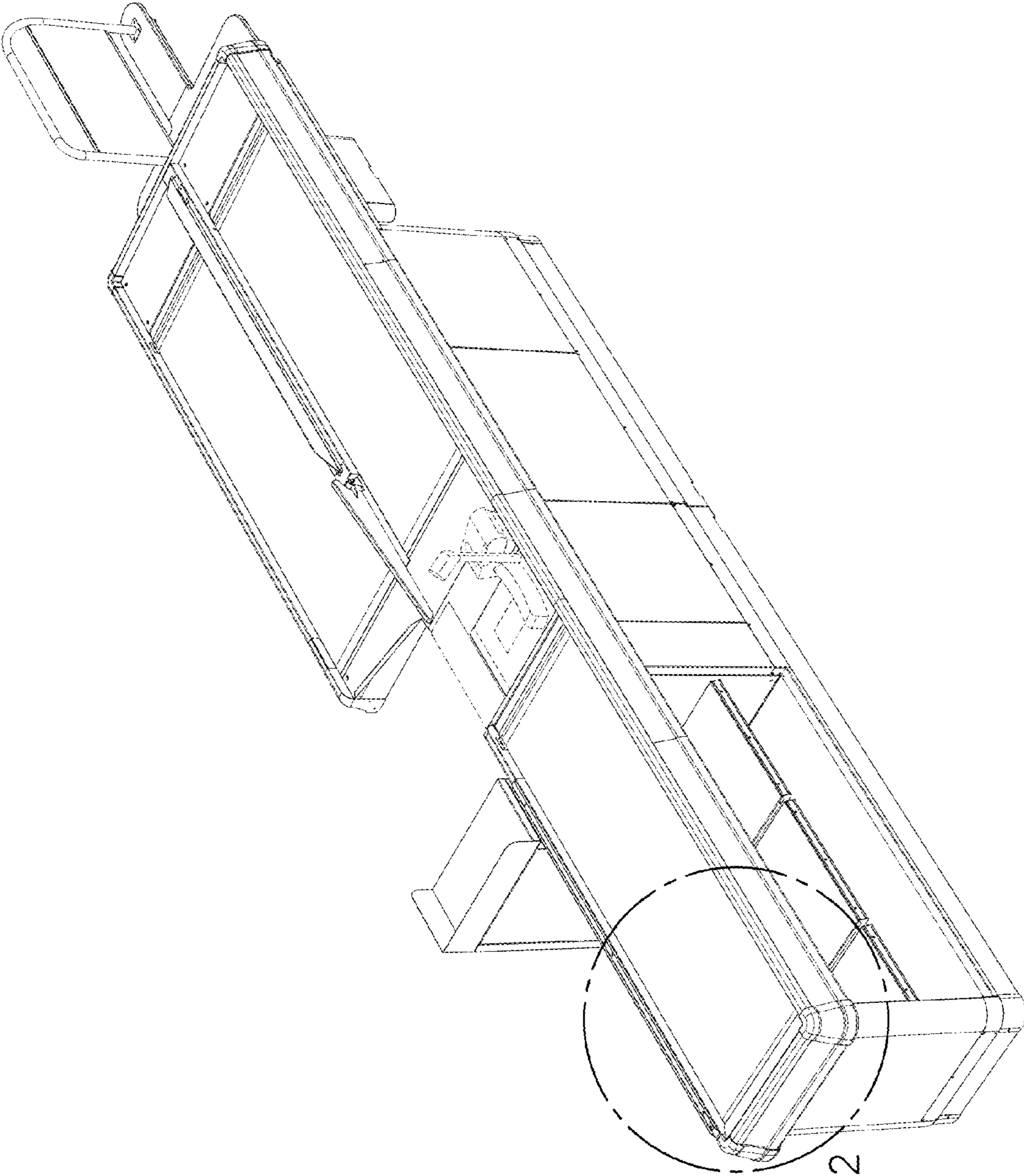


FIG 2

FIG. 1

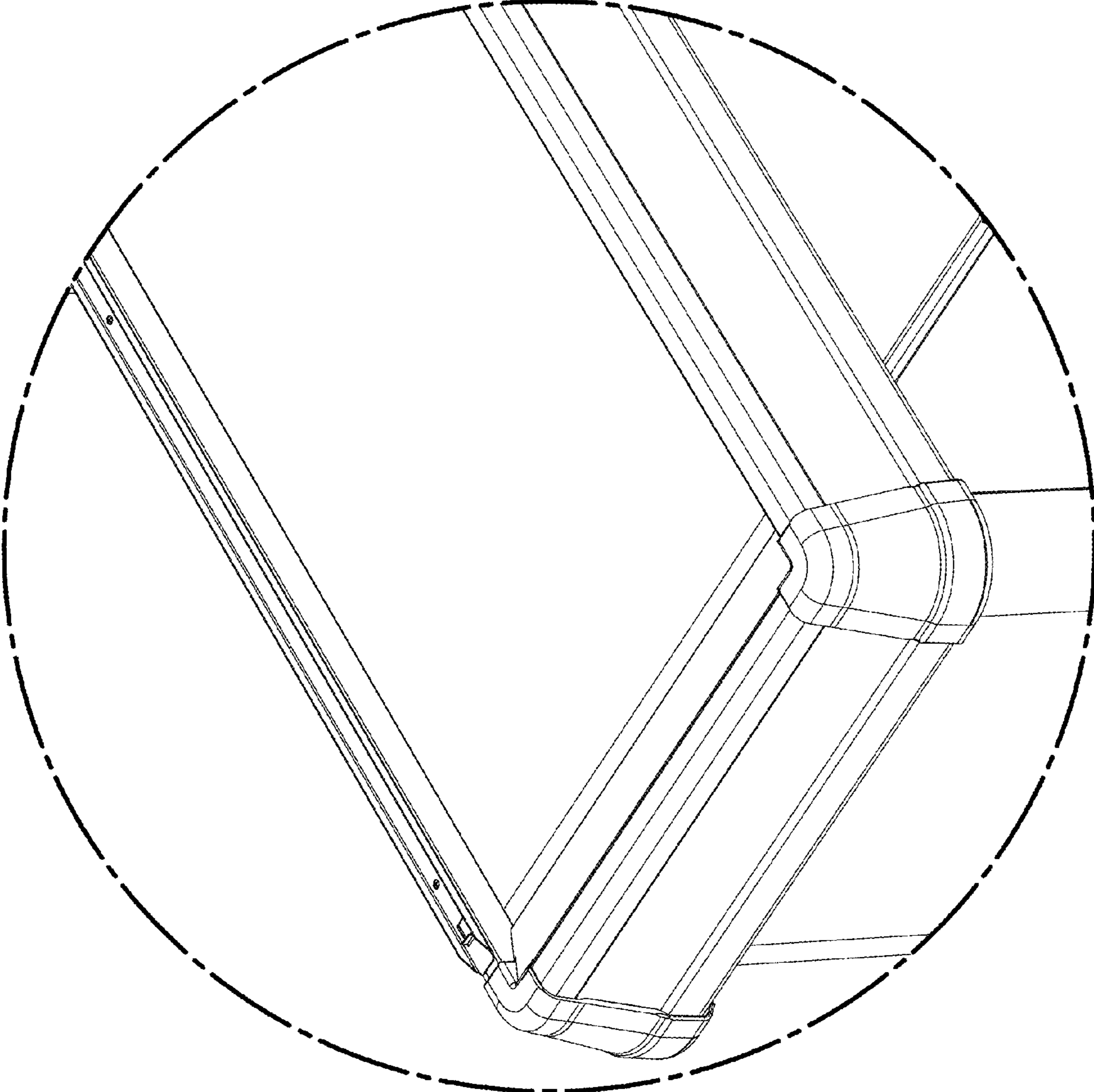


FIG. 2

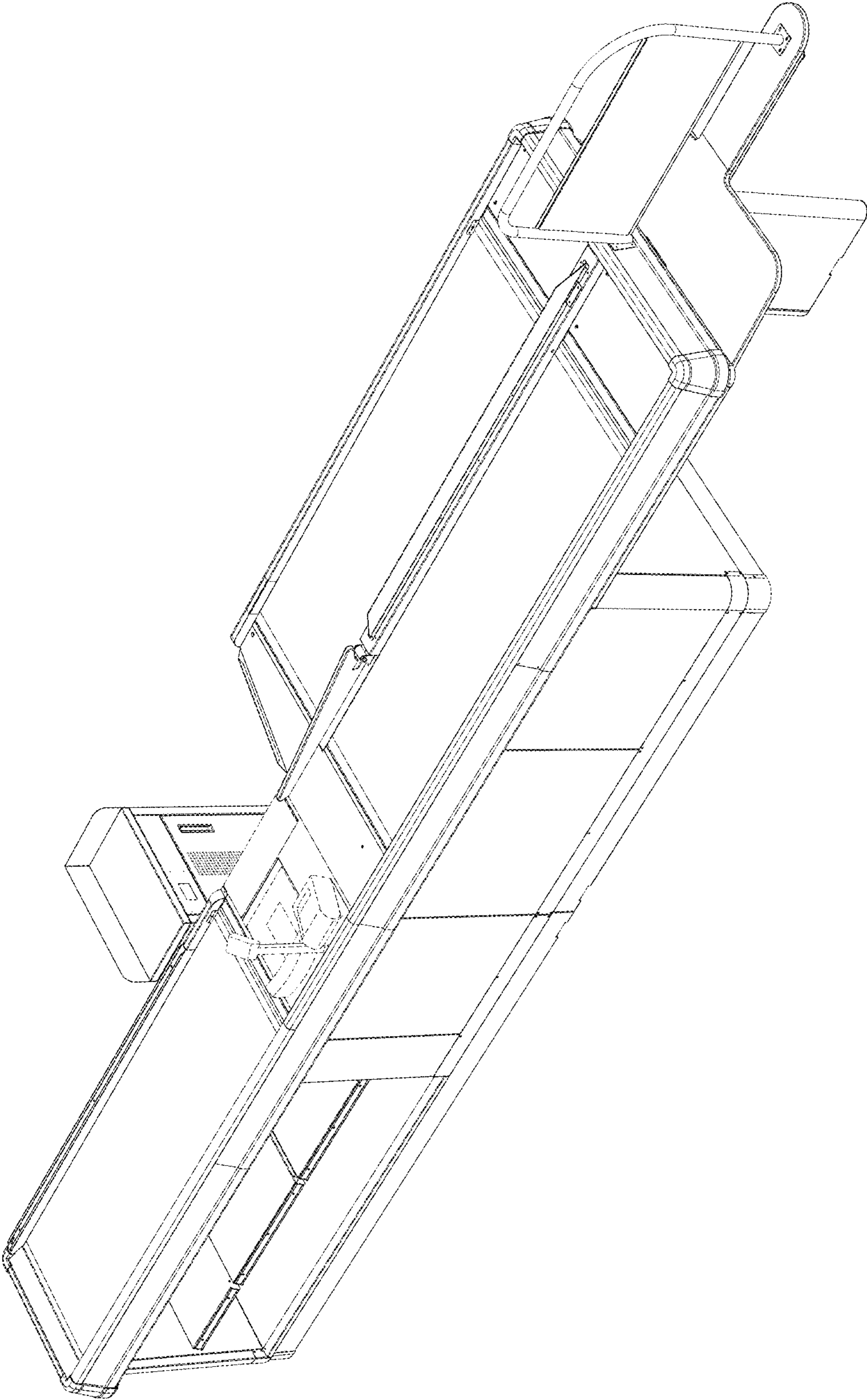


FIG. 3

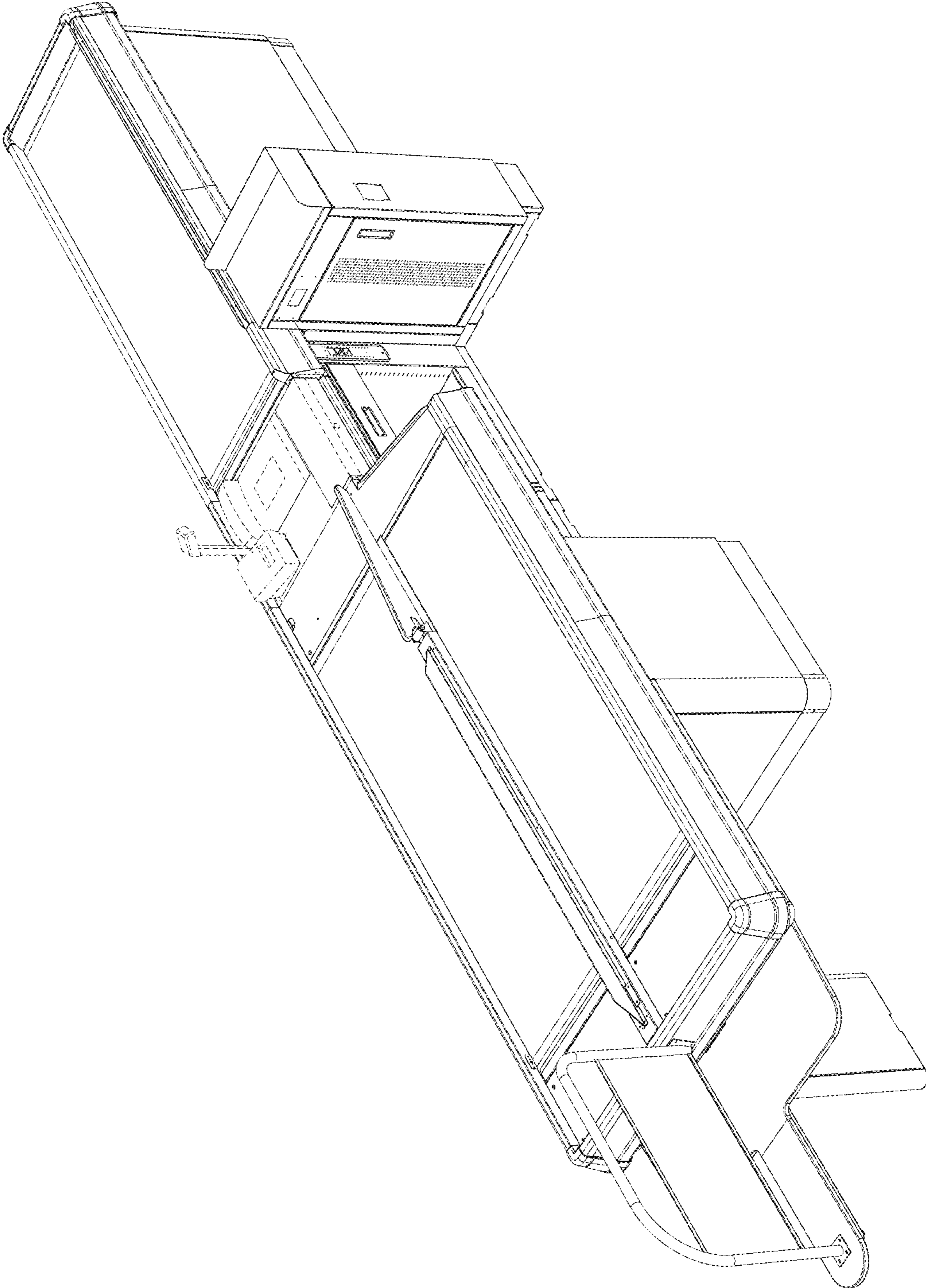


FIG. 4

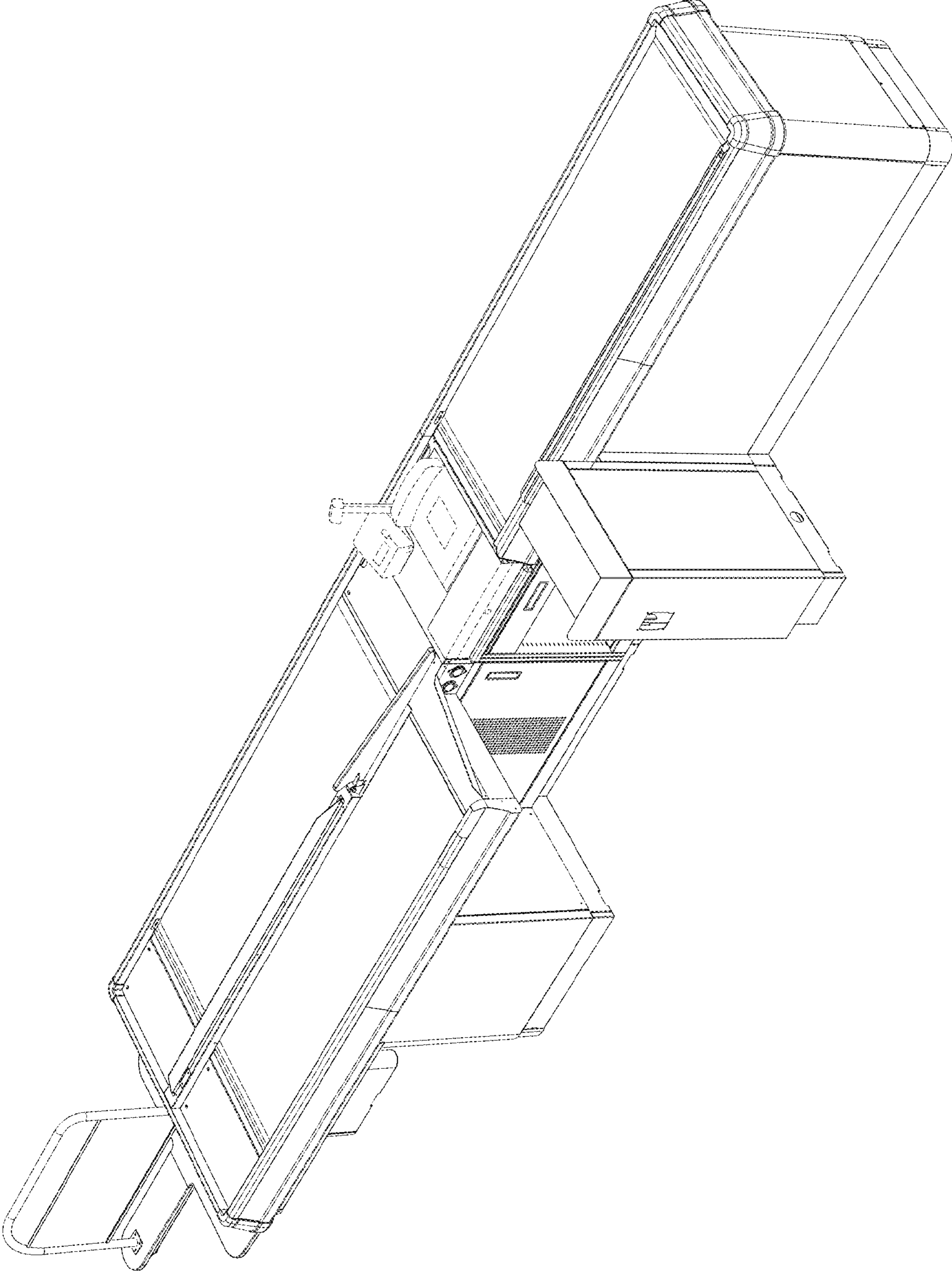


FIG. 5

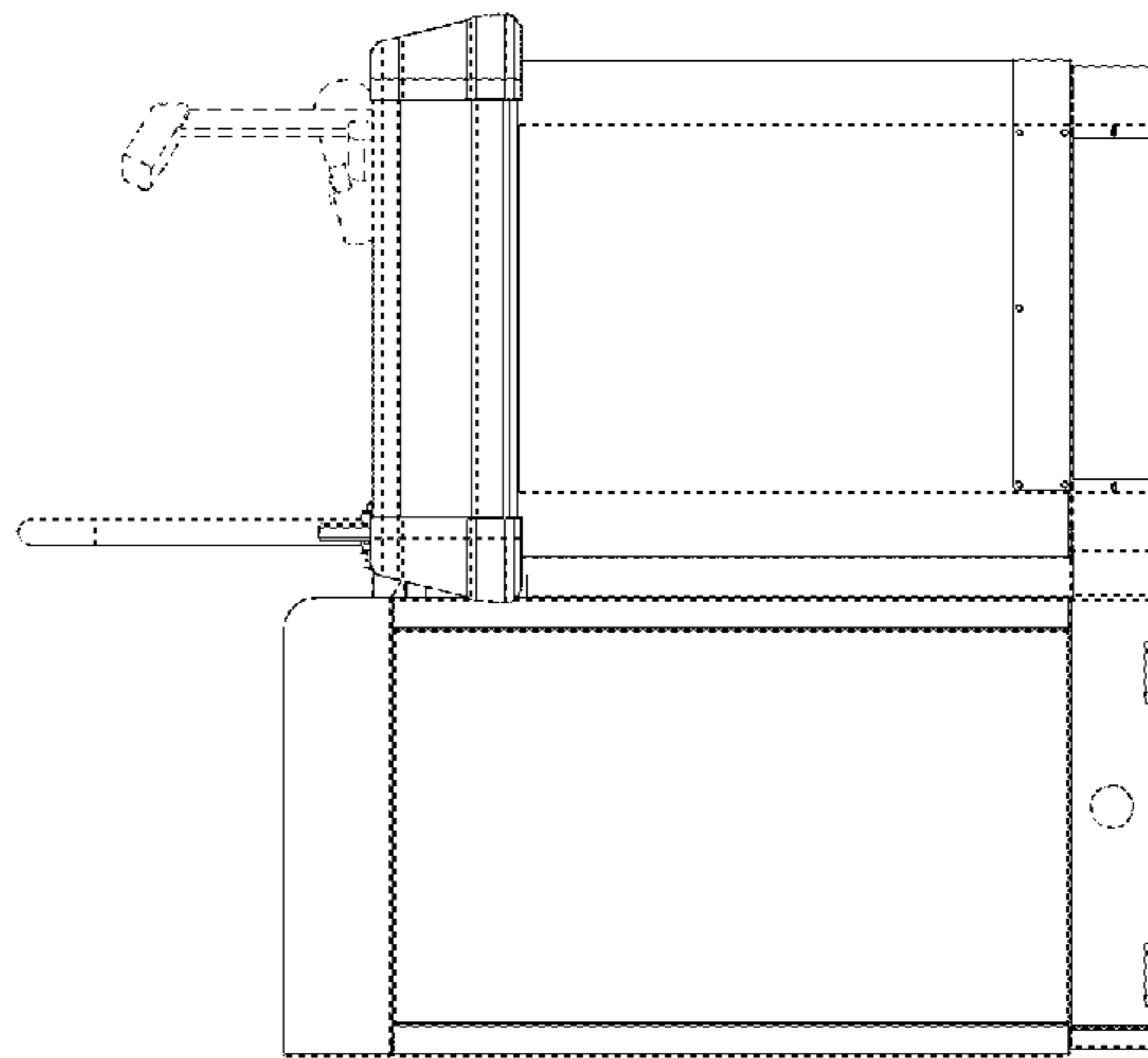


FIG. 6

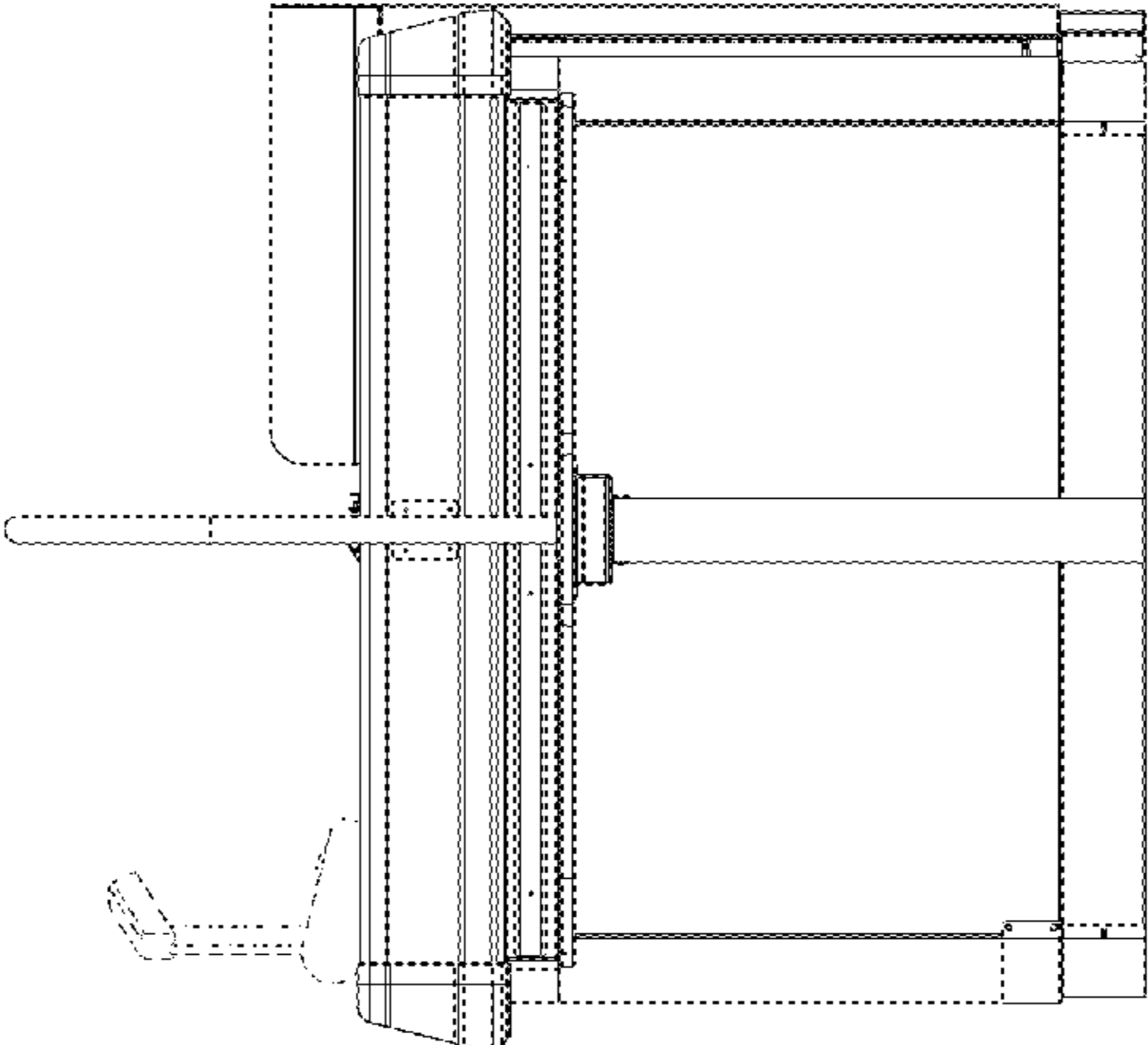


FIG. 7

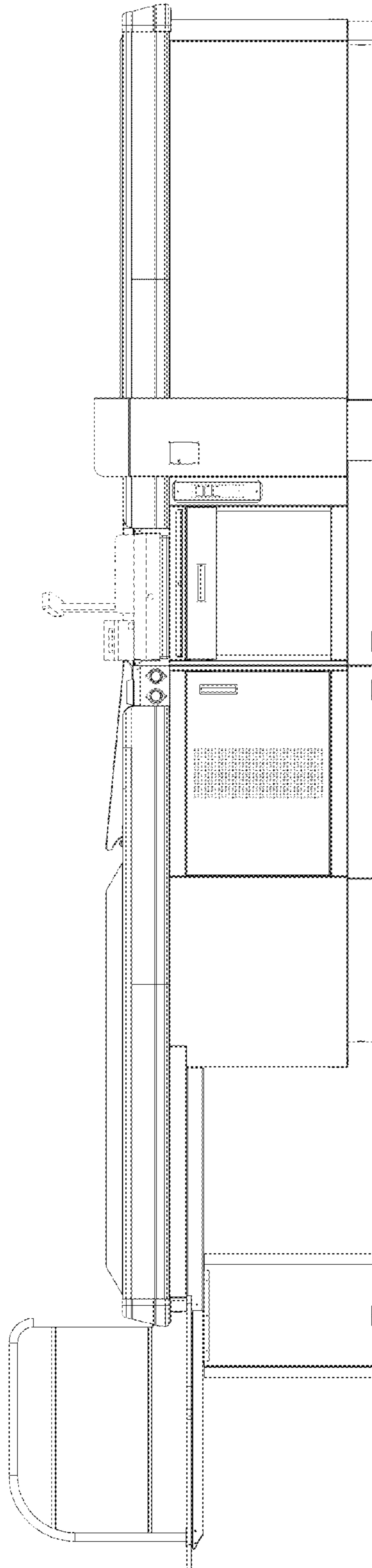


FIG. 8

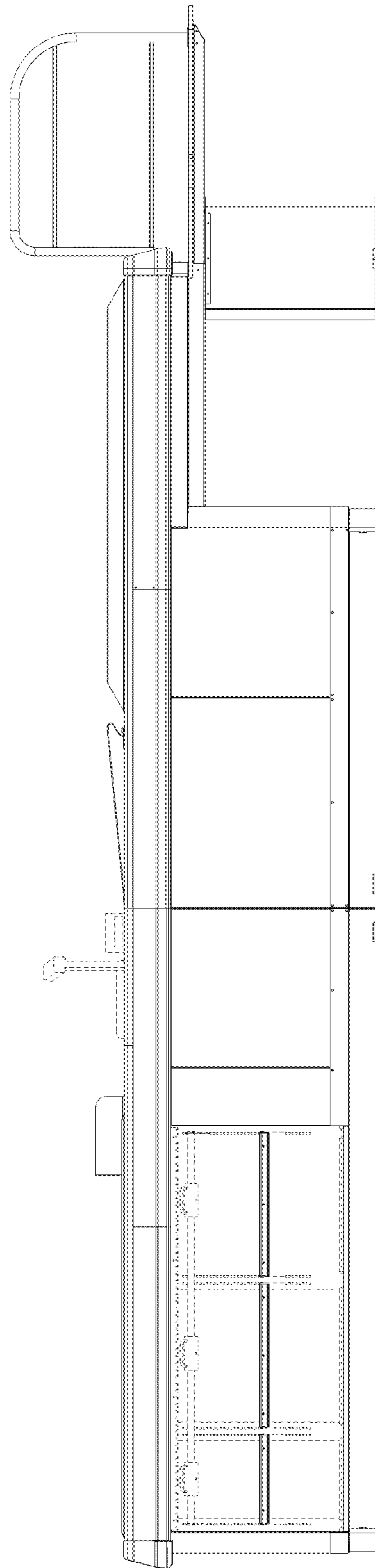


FIG. 9

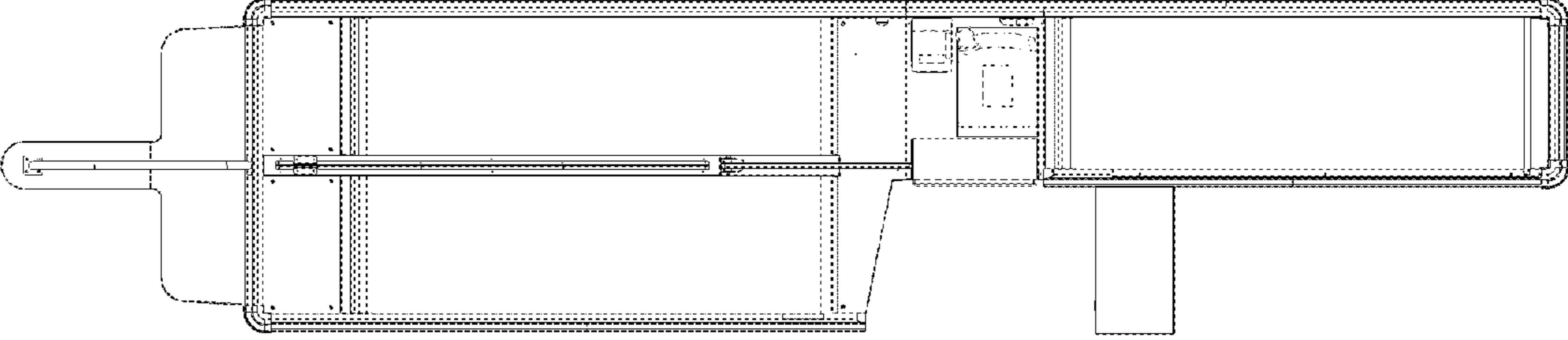


FIG.10