



US00D988767S

(12) **United States Design Patent** (10) **Patent No.:** **US D988,767 S**
Packer et al. (45) **Date of Patent:** **** Jun. 13, 2023**

(54) **TABLE**
(71) Applicant: **WALKER EDISON FURNITURE COMPANY LLC**, Salt Lake City, UT (US)

D165,707 S 1/1952 Buehler
2,594,262 A 4/1952 Howe
D177,159 S * 3/1956 Koert D6/671.1
D177,195 S 3/1956 Smith
D181,286 S 10/1957 Abe
(Continued)

(72) Inventors: **Richard Packer**, Kaysville, UT (US);
Tiffany Duhadway, Salt Lake City, UT (US)

FOREIGN PATENT DOCUMENTS

CN 305785212 5/2019

(73) Assignee: **Walker Edison Furniture Company LLC**, West Jordan, UT (US)

OTHER PUBLICATIONS

Rory Mid Century 1 Drawer Side Table by Walker Edison, first available: Unknown. Amazon.com [online], [site visited Mar. 8, 2022], Internet URL: <https://www.amazon.com/Walker-Edison-Century-Drawer-Caramel/dp/B08LF34JM7?th=1> (Year: 2022).*
(Continued)

(**) Term: **15 Years**

Primary Examiner — Mary Ann Calabrese
Assistant Examiner — Hillary Catherine Shepard
(74) *Attorney, Agent, or Firm* — Workman Nydegger

(21) Appl. No.: **29/743,595**

(22) Filed: **Jul. 22, 2020**

(51) **LOC (14) Cl.** **06-03**

(52) **U.S. Cl.**
USPC **D6/691.9**

(58) **Field of Classification Search**
USPC D6/657, 663, 668.1, 668.2, 671, 671.1,
D6/671.2, 705, 672, 685, 687, 688, 690,
D6/691, 691.9
CPC A47B 79/00; A47B 67/00; A47B 7/00;
A47B 17/00; A47B 17/006; A47B 65/00;
A47B 67/04

See application file for complete search history.

(57) **CLAIM**
The ornamental design for a table, as shown and described.

DESCRIPTION

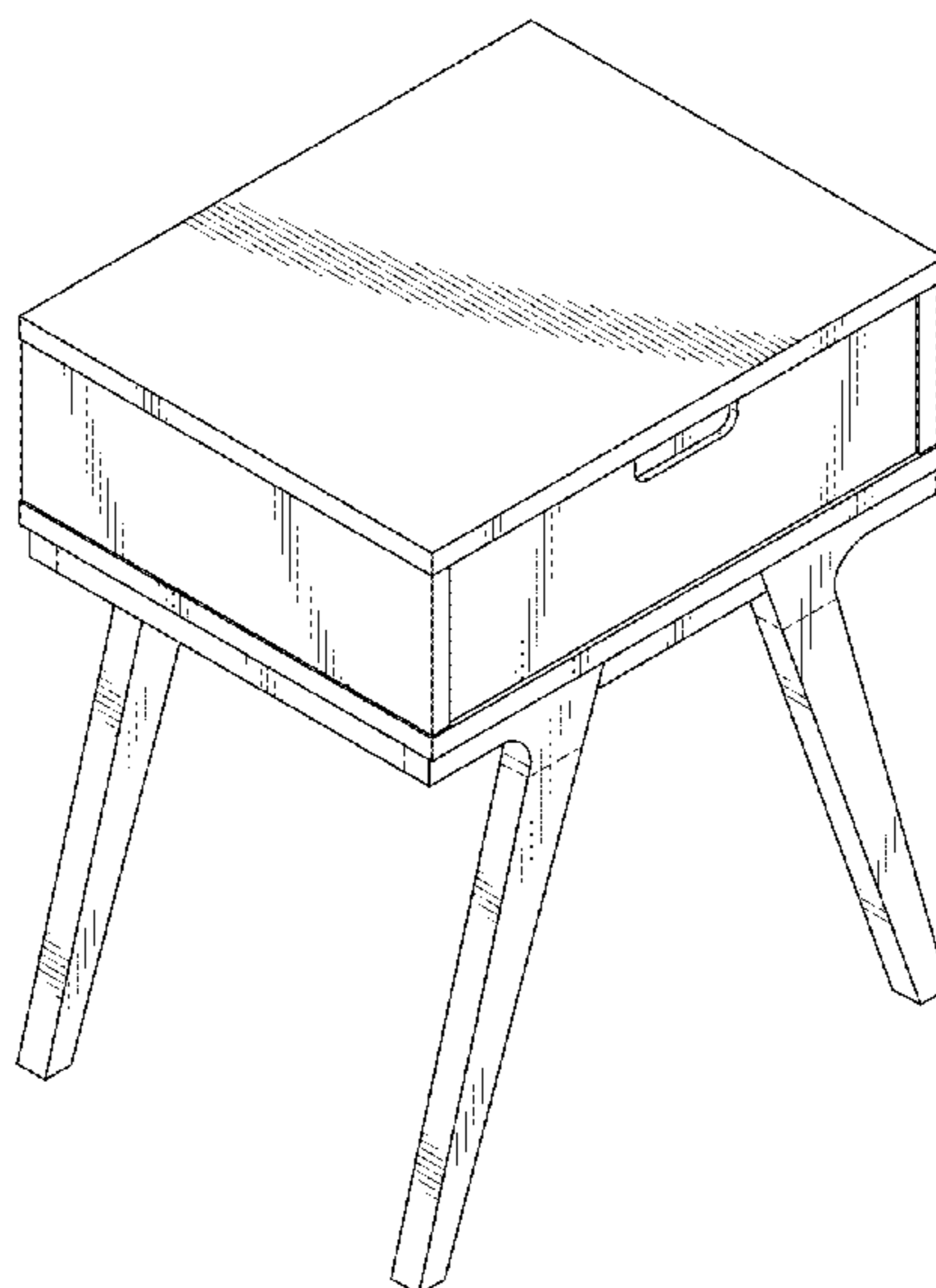
FIG. 1 is a front perspective view of a table showing the new design;
FIG. 2 is another front perspective view thereof;
FIG. 3 is a front elevation view thereof;
FIG. 4 is a back elevation view thereof;
FIG. 5 is a top plan view thereof;
FIG. 6 is a bottom plan view thereof;
FIG. 7 is a right elevation view thereof; and,
FIG. 8 is a left elevation view thereof.
The broken lines in the drawings are for the purpose of illustrating portions of the article that form no part of the claimed design.

(56) **References Cited**

U.S. PATENT DOCUMENTS

1,585,569 A 5/1926 Stine
1,608,924 A 11/1926 Brown
1,731,920 A 10/1929 Boettger
D104,153 S 4/1937 Wilson
2,154,125 A 4/1939 Dillon
D120,370 S * 5/1940 Bach D6/657
D141,290 S 5/1945 Meyerhoefer
D142,850 S 11/1945 Geffner
D154,440 S 7/1949 Taubert
D157,377 S 2/1950 Karp

1 Claim, 5 Drawing Sheets



US D988,767 S

(56)

References Cited

U.S. PATENT DOCUMENTS

<p>D187,232 S * 2/1960 Matyas D6/657 D188,196 S * 6/1960 Lubberts et al. D6/671.1 D194,573 S 2/1963 Ovendale D201,137 S 5/1965 Glover D209,404 S * 11/1967 Pearlman D6/686 D210,465 S 3/1968 Allen D214,898 S 8/1969 Turbeville et al. D220,443 S 4/1971 Beavers 3,588,211 A 6/1971 Ogden D228,106 S 8/1973 Klotz D234,735 S 4/1975 Podell D243,813 S 3/1977 Pratt 4,064,814 A 12/1977 Pokorny D261,712 S 11/1981 Ferdinand D271,260 S 11/1983 Turner D281,555 S 12/1985 Levy D288,880 S 3/1987 Favaretto D290,913 S * 7/1987 Righter D6/686 D293,181 S 12/1987 Solaro D325,833 S 5/1992 Saotome D329,551 S 9/1992 Lechman D334,856 S 4/1993 Sielaff D336,394 S 6/1993 Ball D343,311 S 1/1994 Ball D362,141 S 9/1995 Paus D362,769 S 10/1995 Paus D363,176 S * 10/1995 Berry, Jr. D6/691.2 5,483,901 A 1/1996 Tisbo D367,379 S 2/1996 Nicholson D376,711 S 12/1996 Harris D396,358 S 7/1998 Geier D406,708 S 3/1999 Hilton D436,467 S 1/2001 McGee D441,572 S 5/2001 Deiman D443,440 S 6/2001 Deimen D489,200 S 5/2004 Antonioni D503,298 S 3/2005 Juneau D503,553 S 4/2005 Messier D506,091 S 6/2005 Cioncada D509,683 S 9/2005 Mohundro D510,492 S 10/2005 Sakurai D512,586 S 12/2005 Cross D513,371 S * 1/2006 Juneau D6/671.1 D519,299 S * 4/2006 Boudreau D6/657 D520,779 S 5/2006 DeBlois D530,548 S 10/2006 McCurry D533,732 S * 12/2006 Juneau D6/671.1 D535,492 S * 1/2007 Domack D6/691.9 D545,597 S 7/2007 Aubriot D549,490 S * 8/2007 Brimacombe D6/663 D552,885 S 10/2007 Saotome D563,117 S 3/2008 Mayer D582,180 S 12/2008 Eustace D588,380 S 3/2009 Bucholz D588,831 S 3/2009 Mohundro D592,892 S 5/2009 Sexton D604,064 S 11/2009 Garbin D608,568 S 1/2010 Manz 7,640,869 B2 1/2010 Leng D614,889 S 5/2010 Van Duysen D618,010 S 6/2010 Sexton D618,016 S * 6/2010 Metcalf D6/691.8 D618,936 S 7/2010 Xu D624,336 S 9/2010 Schultz D626,767 S 11/2010 Lucci D640,075 S 6/2011 Petrick D655,946 S * 3/2012 Sexton D6/661 D655,951 S 3/2012 McCurry D662,335 S 6/2012 Schultz D668,884 S 10/2012 Olano D669,709 S 10/2012 Nakamura D671,339 S 11/2012 Nakamura D676,689 S 2/2013 Matsushita D688,075 S 8/2013 Lucci D695,557 S 12/2013 Carretta</p>	<p>D703,465 S 4/2014 Weatherly D716,588 S 11/2014 Hara D717,082 S 11/2014 Dworman D721,907 S * 2/2015 Boll-Wilson D6/691.9 D721,908 S * 2/2015 Hughes D6/691.9 D728,980 S 5/2015 Asner D742,142 S * 11/2015 Everson D6/675.1 D743,188 S 11/2015 Denby D743,192 S 11/2015 Davis D757,464 S 5/2016 Chiang D775,877 S 1/2017 Lin D777,474 S 1/2017 Behar D780,469 S 3/2017 Cohen D782,855 S 4/2017 Scagnellato D784,742 S 4/2017 Grossinger D784,744 S 4/2017 Burden D785,384 S 5/2017 Betti D799,866 S 10/2017 Pocci D802,345 S 11/2017 Hurford D805,817 S * 12/2017 Beckman D6/691.1 D807,671 S 1/2018 Caillouet D808,204 S 1/2018 Davis D808,207 S 1/2018 Davis D815,464 S * 4/2018 Caillouet D6/657 D815,465 S * 4/2018 Hannoosh D6/657 D815,466 S * 4/2018 Hannoosh D6/671.1 D815,467 S * 4/2018 Hannoosh D6/671.1 D817,036 S 5/2018 Palma D818,750 S * 5/2018 Hannoosh D6/686 D823,621 S 7/2018 Everson D824,703 S 8/2018 Yamamoto D826,608 S 8/2018 Pederson D829,013 S 9/2018 Velez D832,011 S 10/2018 Hughes 10,159,334 B1 12/2018 Wang D845,041 S * 4/2019 Davis D6/675 D848,767 S * 5/2019 Smrstick D6/657 D850,831 S 6/2019 Bieschke D850,832 S 6/2019 Bieschke D851,964 S 6/2019 Davis D853,161 S 7/2019 Parikh D859,038 S 9/2019 Davis D863,847 S 10/2019 Shemer D866,232 S 11/2019 Davis D867,033 S * 11/2019 Bellini D6/671 D868,515 S 12/2019 Velez D869,867 S 12/2019 Davis D870,493 S * 12/2019 Young D6/663 D871,111 S 12/2019 Parikh D874,856 S * 2/2020 Davis D6/691.2 10,568,415 B1 2/2020 Kuyath D877,543 S 3/2020 Davis D882,300 S 4/2020 Li D882,996 S 5/2020 Hale D886,499 S * 6/2020 Davis D6/691.8 D893,226 S 8/2020 Parikh D898,485 S 10/2020 Pederson D899,830 S 10/2020 Parikh D900,518 S 11/2020 Davis D904,799 S 12/2020 Li D906,020 S * 12/2020 Davis D6/657 D906,021 S * 12/2020 Davis D6/657 D907,417 S 1/2021 Crocker D908,400 S 1/2021 Wu D911,086 S 2/2021 Crocker D914,415 S 3/2021 Lim D915,799 S 4/2021 Davis D921,405 S 6/2021 Roser D924,612 S 7/2021 van Thiel D927,895 S 8/2021 Hu D929,159 S * 8/2021 Davis D6/671.1 D931,026 S 9/2021 Crocker D931,657 S 9/2021 He D932,819 S 10/2021 Parikh D935,234 S 11/2021 Zhou D935,810 S * 11/2021 Davis D6/671.1 D937,014 S 11/2021 Jackson 2010/0186640 A1 7/2010 Leng 2012/0204770 A1 8/2012 Grace</p>
----------------------------------------------------------------------------------------------------------------------------------------------------------------------------------------------------------------------------------------------------------------------------------------------------------------------------------------------------------------------------------------------------------------------------------------------------------------------------------------------------------------------------------------------------------------------------------------------------------------------------------------------------------------------------------------------------------------------------------------------------------------------------------------------------------------------------------------------------------------------------------------------------------------------------------------------------------------------------------------------------------------------------------------------------------------------------------------------------------------------------------------------------------------------------------------------------------------------------------------------------------------------------------------------------------------------------------------------------------------------------------------------------------------------------------------------------------------------------------------------------------------------------------------------------------------------------------------------------------------------------------------------------------------------------------------------------------------------------------------------------------------------------------------------------------------------------------------------------------------------------------------------------------------------------------------------------------------------------------------------------------------------------------------------------------------------------------------------------------------------------------------------------------------------------------------------------------------------------------------------------------------------------------------------------------------------------------------------------------------------------------------------------------------------------------------------------------------------------------------------------------------------------------------------------------------------------------------------------------------------------	------------------------------------------------------------------------------------------------------------------------------------------------------------------------------------------------------------------------------------------------------------------------------------------------------------------------------------------------------------------------------------------------------------------------------------------------------------------------------------------------------------------------------------------------------------------------------------------------------------------------------------------------------------------------------------------------------------------------------------------------------------------------------------------------------------------------------------------------------------------------------------------------------------------------------------------------------------------------------------------------------------------------------------------------------------------------------------------------------------------------------------------------------------------------------------------------------------------------------------------------------------------------------------------------------------------------------------------------------------------------------------------------------------------------------------------------------------------------------------------------------------------------------------------------------------------------------------------------------------------------------------------------------------------------------------------------------------------------------------------------------------------------------------------------------------------------------------------------------------------------------------------------------------------------------------------------------------------------------------------------------------------------------------------------------------------------------------------------------------------------------------------------------------------------------------------------------------------------------------------------------------------------------------------------------------------------------------------------------------------------------------------------------------------------------------------------------------------------------------------------------------------------------------------------------------------------------------------------------------------------------------------------------------------------------------------------------------------------------------------------------------------------------------------------------------------------

(56)

References Cited

OTHER PUBLICATIONS

amazon.com/JAXSUNNY-Storage-Cocktail-Farmhouse-Assembly/dp/B089ZTCXXG?ref_ast_sto_dp; found online on Sep. 27, 2021.
 U.S. Appl. No. 29/634,908, dated Mar. 15, 2019, Non-Final Office Action.
 U.S. Appl. No. 29/634,908, dated Aug. 6, 2019, Notice of Allowance.
 U.S. Appl. No. 29/634,915, dated Sep. 19, 2019, Notice of Allowance.
 U.S. Appl. No. 29/656,481, dated Dec. 12, 2019, Non-Final Office Action.
 U.S. Appl. No. 29/656,481, dated Mar. 18, 2020, Notice of Allowance.
 U.S. Appl. No. 29/699,080, dated Jan. 4, 2021, Office Action.
 U.S. Appl. No. 29/699,080, dated Apr. 21, 2021, Notice of Allowance.
 Rolando Outdoor Aluminum Dining Table by Christopher Knight, first available: Oct. 5, 2017. Amazon.com [online], [site visited Jun. 14, 2022], Internet URL: <https://www.amazon.com/Rosarito-Outdoor-Brown-Aluminum-Dining/dp/B07665GM3M> (Year: 2017).
 Adeline Collection Wood & Stainless Steel Dining Table by Tov Furniture Store, first available: Jul. 4, 2017. Amazon.com [online], [site visited Jun. 14, 2022], Internet URL: https://www.amazon.com/dp/B073Q2N8SS/ref=sbl_dp_furniture-kitchen-tables_B08RK37SJ3_0 (Year: 2017).
 Harrold Modern Farmhouse X Leg Dining Table by Walker Edison, first available: Dec. 29, 2020. Amazon.com [online], [site visited Jun. 14, 2022], Internet URL: <https://www.amazon.com/Walker-Edison-Harrold-Modern-Farmhouse/dp/B08RK37SJ3> (Year: 2020).
 Counter Height Drop Leaf Table by Home Accent Furnishings Store, first available: Jun. 8, 2020. Amazon.com [online], [site visited Jul. 1, 2022], Internet URL: <https://www.amazon.com/Counter-Height-Drop-Table-Storage/dp/B089VJXPTJ> (Year: 2020).
 Garcia Counter Height Drop Leaf Dining Table by Foundry Select, first available: May 30, 2020. Wayfair.com [online], [site visited Jul. 1, 2022], Internet URL: <https://www.wayfair.com/furniture/pdp/foundry-select-garcia-counter-height-drop-leaf-dining-table-w000527893.html?piid=938049055> (Year: 2020).
 Amerlife 3 Piece Living Room Table Set—Includes Coffee Table, End Table & Entry Table for Modern Farmhouse/Industrial Style—Rustic Oak; <https://www.amazon.com/dp/B09PH5J1QG>; retrieved on Jul. 19, 2022.
 Costway Tempered Glass Oval Side Coffee Table Shelf Chrome Base Living Room Clear; <https://www.target.com/p/costway-tempered-glass-oval-side-coffee-table-shelf-chrome-base-living-room-clear/-/A-83082741#Ink=sametab>; retrieved on Jul. 19, 2022.
 Marble Finish Coffee Table with Round Cross Brace Frame—Merrick Lane; <https://www.target.com/p/marble-finish-coffee-table-with-round-cross-brace-frame-merrick-lane/-/A-87204488?preselect=86700087#Ink=sametab>; Retrieved on Jul. 19, 2022.
 End Table with Round Cross Brace Frame—Merrick Lane; <https://www.target.com/p/end-table-with-round-cross-brace-frame-merrick-lane/-/A-86856266?preselect=86700531#Ink=sametab>; Retrieved on Jul. 19, 2022.
 Nadine Dining Table Chrome—Picket House Furnishings; <https://www.target.com/p/nadine-dining-table-chrome-picket-house-furnishings/-/A-79661908#Ink=sametab>; Retrieved on Jul. 19, 2022.
 Lynise 47.44" Console Table; <https://www.wayfair.com/furniture/pdp/17-stories-lynise-4744-console-table-w008380560.html?piid=1039905083>; Retrieved on Jul. 19, 2022.
 Best Choice Products 36in Faux Marble Modern Round Living Room Accent Coffee Table w/ Metal Frame; <https://www.target.com/p/best-choice-products-36in-faux-marble-modern-round-living-room-accent-coffee-table-w-metal-frame/-/A-82323444?preselect=82323443#Ink=sametab>; retrieved on Aug. 3, 2022.
 Best Choice Products 44in Modern Industrial Style Rectangular Wood Grain Top Coffee Table w/1.25in Top—Brown; <https://www.target.com/p/best-choice-products-44in-modern-industrial-style-rectangular-wood-grain-top-coffee-table-w-1-25in-top-brown/-/A-82323612#Ink=sametab>; retrieved on Aug. 3, 2022.

Winston Cocktail Table Rustic Cherry—Steve Silver; <https://www.target.com/p/winston-cocktail-table-rustic-cherry-steve-silver/-/A-49129154#Ink=sametab>; retrieved on Aug. 3, 2022.
 Coffee Table with Black X-Frame Base Round Coffee Table—Merrick Lane <https://www.target.com/p/coffee-table-with-black-x-frame-base-round-coffee-table-merrick-lane/-/A-86856249?preselect=86694630#Ink=sametab>; retrieved on Aug. 3, 2022.
 Costway 43.5" Rustic Coffee Table Farmhouse Cocktail Table w/ Storage Shelf; <https://www.target.com/p/costway-43-5-rustic-coffee-table-farmhouse-cocktail-table-w-storage-shelf/-/A-85035785#Ink=sametab>; retrieved on Aug. 3, 2022.
 U.S. Appl. No. 29/767,928, dated Jul. 8, 2022, Notice of Allowance.
 U.S. Appl. No. 29/818,157, dated Jun. 30, 2022, Office Action.
 U.S. Appl. No. 29/743,233, dated Jul. 15, 2022, Office Action.
 Metal and Glass Two Tier Desk by Silver Orchid, first available: Unknown. Overstock.com [online], [site visited Feb. 15, 2022], Internet URL: <https://www.overstock.com/Home-Garden/Silver-Orchid-48-inch-Metal-and-Glass-Two-Tier-Desk/32021906/product.html> (Year: 2022).
 Glass Desk by Three Posts, first available: Sep. 11, 2020. Wayfair.com [online], [site visited Feb. 15, 2022], Internet URL: <https://www.wayfair.com/furniture/pdp/three-posts-stivers-glass-desk-w003445169.html> (Year: 2020).
 Stoughton Glass Desk by Milan Home, first available: Jan. 7, 2021. Amazon.com [online], [site visited Feb. 15, 2022], Internet URL: https://www.amazon.com/Stoughton-Glass-Desk-Overall-Finished/dp/B08RXTZFCJ/ref=sr_1_198 (Year: 2021).
 Convenience Concepts Tucson 42 in. Black/Cherry Large Rectangle Wood Coffee Table with Shelf; <https://www.homedepot.com/p/Convenience-Concepts-Tucson-42-in-Black-Cherry-Large-Rectangle-Wood-Coffee-Table-with-Shelf-161842/302768747>; found on Apr. 12, 2022; retrieved Jun. 2, 2022.
 Wrenshall 4 Legs Coffee Table with Storage by Breakwater Bay; <https://www.wayfair.com/furniture/pdp/breakwater-bay-wrenshall-4-legs-coffee-table-with-storage-w000297227.html?piid=206567667#0ntlalza15u-3> found on Apr. 12, 2022; retrieved Jun. 2, 2022.
 Hampton Pure White End Table; <https://www.homedepot.com/p/International-Concepts-Hampton-Pure-White-End-Table-OT08-70E/301841597> found on Apr. 12, 2022; retrieved Jun. 2, 2022.
 Gannett 22' Tall End Table; <https://www.wayfair.com/furniture/pdp/august-grove-gannett-end-table-with-storage-w004698268.html?piid=975687093%2C975687088>; retrieved on Apr. 26, 2022.
 EDYO Living Coffee Table Industrial Metal Legs with Storage Shelf for Living Room, Modern Farmhouse Coffee Table (Grey/Espresso); https://www.amazon.com/EDYO-LIVING-Industrial-Farmhouse-Expresso/dp/B09B6N32BT/ref=sr_1_13?keywords=Coffee+Table+Farmhouse&qid=1636678977&sr=8-13; retrieved on Apr. 26, 2022.
 Harton 48.03' Console Table; <https://www.wayfair.com/furniture/pdp/gracie-oaks-lucca-console-table-w002092952.html>; retrieved on Apr. 26, 2022.
 Rossitano 25" Tall Solid Wood End Table; <https://www.wayfair.com/furniture/pdp/gracie-oaks-rossitano-end-table-hlds6279.html>; retrieved on Apr. 26, 2022.
 Persephone TV Stand for TVs up to 55"; <https://www.wayfair.com/furniture/pdp/sand-stable-persephone-tv-stand-for-tvs-up-to-55-w003215231.html> found on Apr. 12, 2022; retrieved Jun. 2, 2022.
 O&K Furniture Rustic Rectangular Coffee Table with Open Bottom Shelf, Industrial Cocktail Table for Living Room, Gray-Brown, 1-Pcs; <https://www.amazon.ae/Furniture-Rectangular-Industrial-Cocktail-Gray-Brown/dp/B076SLXY8C> found on Apr. 12, 2022; retrieved Jun. 2, 2022.
 O&K Furniture Industrial Rectangular Cocktail Coffee Table with Storage Shelf for Living Room, Gray Finish; <https://www.importitall.co.za/OK-Furniture-Industrial-Rectangular-Cocktail-Coffee-Table-with-Storage-Shelf-for-Living-Room-Gray-Finish-ap-B07838LTG9.html> found on Apr. 12, 2022 retrieved Jun. 2, 2022.
 O&K Furniture 24" Height Square End/Side Table/Night Stand with Open Bottom Shelf, Gray-Brown(1-Pcs); <https://us.amazon.com/Furniture-Height-Square-Bottom-Gray-Brown/dp/B076S8QTSL> found on Apr. 12, 2022; retrieved Jun. 2, 2022.

(56)

References Cited

OTHER PUBLICATIONS

O&K Furniture Industrial Square Side End Table with Lower Shelf for Living Room & Bedroom, Vintage Brown(1-Pcs); <https://us.amazon.com/Furniture-Industrial-Square-Bedroom-Vintage/dp/B078DXVD1X> found on Apr. 12, 2022; retrieved Jun. 2, 2022.

O&K Furniture Industrial Rustic 2-Tier Occasional Console Sofa Table for Living Room & Entryway, Brown Finish(1-Pcs); https://www.amazon.com/Furniture-Industrial-Occasional-Console-Entryway/dp/B0786FTJC4/ref=sr_1_5?m=A1ATSEO2Z9RH3P&marketplaceID=ATVPDKIKX0DER&qid=1555349664&s=merchant-items&sr=1-5 found on Apr. 12, 2022; retrieved Jun. 2, 2022.

O&K Furniture 2-Tier Industrial Sofa Table, Metal Hall Console Table with Storage Shelf for Living Room and Entryway, Gray Finish(1-Pcs); https://www.amazon.com/Furniture-Industrial-Console-Storage-Entryway/dp/B0786B11F1?ref=bl_dp_s_web_13673518011 found on Apr. 12, 2022; retrieved Jun. 2, 2022.

Vasagle TV Stand for up to 65-Inch Televisions, Media Console with Shelves, 3-Tier Storage, and X-Shape Steel Frame, 57.9×15.7×19.7, Rustic Brown; <https://www.amazon.com/VASAGLE-65-Inch-Farmhouse-Industrial-ULTV100B01/dp/B08PCM1VZG>; retrieved Jun. 23, 2022.

Farmhouse-style Rustic Brown & Black Side Table Nighstand; <https://www.songmics.com/farmhouse-side-table-nightstand-ulet277b01.html>; retrieved Jun. 23, 2022.

Industrial Brown 3-Layer Metal Frame Side Table; <https://www.songmics.com/industrial-brown-3-layer-metal-frame-side-table-ulet278b01v1.html>; retrieved Jun. 23, 2022.

X-Shape Coffee Table; <https://www.songmics.com/x-shape-coffee-table-ulct200b01v1.html>; retrieved Jun. 23, 2022.

Industrial Brown Sofa Table with Metal Frame; <https://www.songmics.com/industrial-brown-sofa-table-with-metal-frame-ulnt100b01.html>; retrieved Jun. 23, 2022.

U.S. Appl. No. 29/767,928, dated Mar. 9, 2022, Office Action.

FurnitureR Modern Coffee Table Occsional Living Room Table TV Stand Table with Storage Shelves (Beech); <https://www.amazon.com/FurnitureR-Modern-Occsional-Storage-Shelves/dp/B07LG7ZHZH> Retrieved on Sep. 19, 22.

U.S. Appl. No. 29/818,160, filed Dec. 7, 2021, Duhadway.

Panget Console Table—Ikea <https://www.ikea.com/us/en/p/panget-console-table-dark-gray-stained-60474166/> retrieved from the internet on Jan. 21, 2023.

Ava Sofa Table—Gat Creek <https://www.gatcreek.com/living/console-table/ava-sofa-table> retrieved from the internet on Jan. 21, 2023.

Woven Paths 48 Inch Country Style Console Table—Walmart, reviewed on May 18, 2020 <https://www.walmart.com/ip/Woven-Paths-48-Inch-Country-Style-Console-Table-Grey-Wash/688751869> retrieved from the internet on Jan. 11, 2023.

Cadhla Coffee Table—Wayfair <https://www.wayfair.com/furniture/pdp/august-grove-cadhla-coffee-table-with-storage-w003335556.html?piid=1659659175> retrieved from the internet on Jan. 23, 2023.

Savannah End Table—Overstock <https://www.overstock.com/Home-Garden/Savannah-End-Table-Ivory-with-Natural-Wood-Top/18517026/product.html?option=31057707> retrieved from the internet on Jan. 23, 2023.

Mannor Park Country Single Drawer Side Table—Hayneedle <https://www.hayneedle.com/product/manorparkcountrysingledrawersidetable.cfm?source=plaid&tid=WAL833> retrieved from the internet on Jan. 23, 2023.

Square Country Coffee Table, by Walker Edison—Best Buy <https://www.bestbuy.com/site/walker-edison-30-square-country-coffee-table-rustic-oak/6416903.p?skuId=6416903> retrieved from the internet on Jan. 23, 2023.

Modern Country Square Coffee Table—Amazon, reviewed on Apr. 27, 2020 <https://www.amazon.com/Walker-Edison-Country-Ottoman-Storage/dp/B08DK7965N> retrieved from the internet on Jan. 23, 2023.

Lavish Home, Brown Farmhouse 70-inch TV Stand—3-Tier Open Back Entertainment Center; <https://www.amazon.com/Lavish-Home-Brown-Farmhouse-70-inch/dp/B09WZ6BNNP>; retrieved on Feb. 7, 2023.

U.S. Appl. No. 29/743,233, dated Nov. 21, 2022, Notice of Allowance.

U.S. Appl. No. 29/818,157, dated Jan. 23, 2023, Notice of Allowance.

U.S. Appl. No. 29/796,669, dated Jan. 26, 2023, Office Action.

U.S. Appl. No. 29/797,125, dated Jan. 27, 2023, Office Action.

* cited by examiner

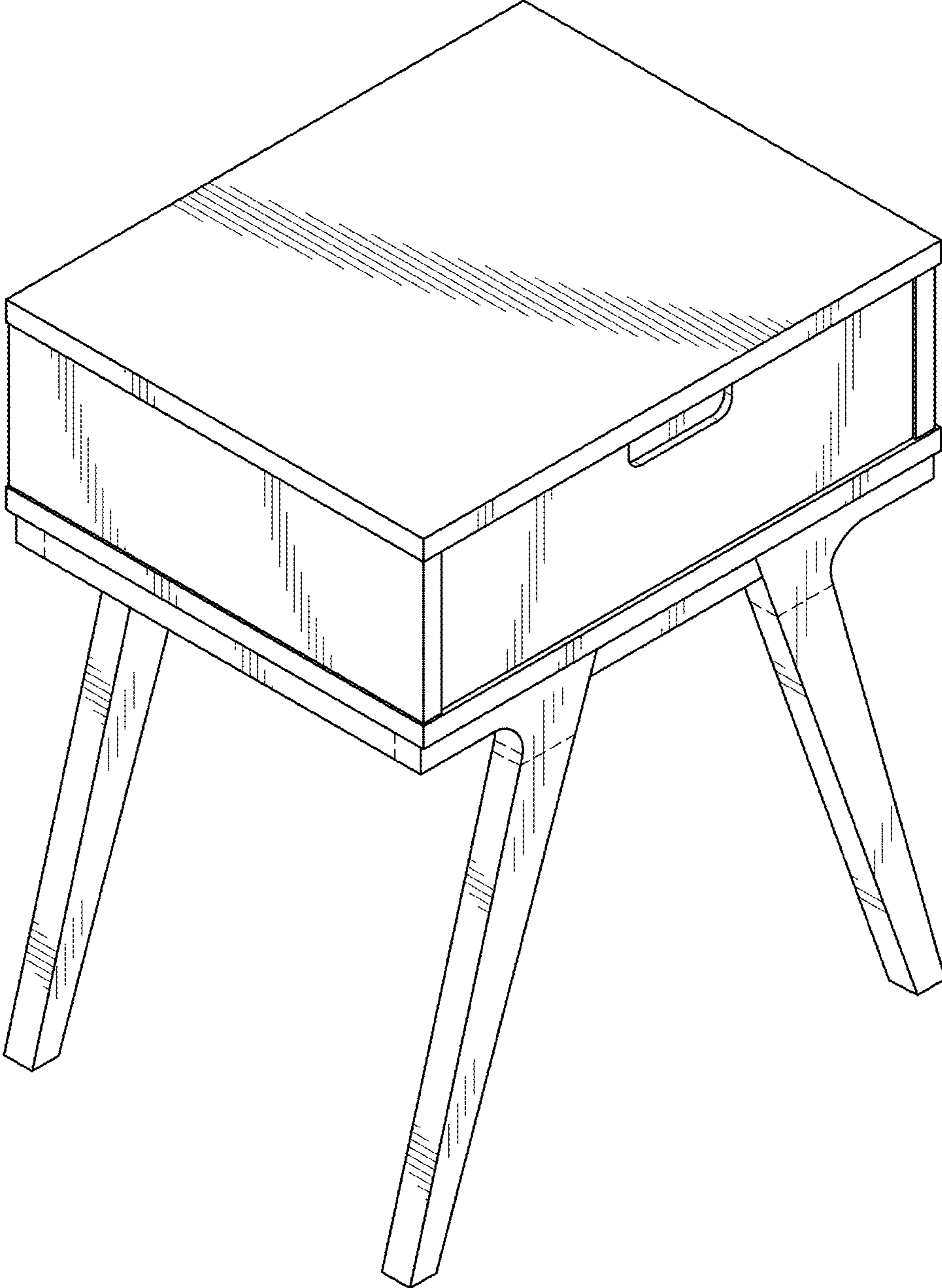


FIG. 1

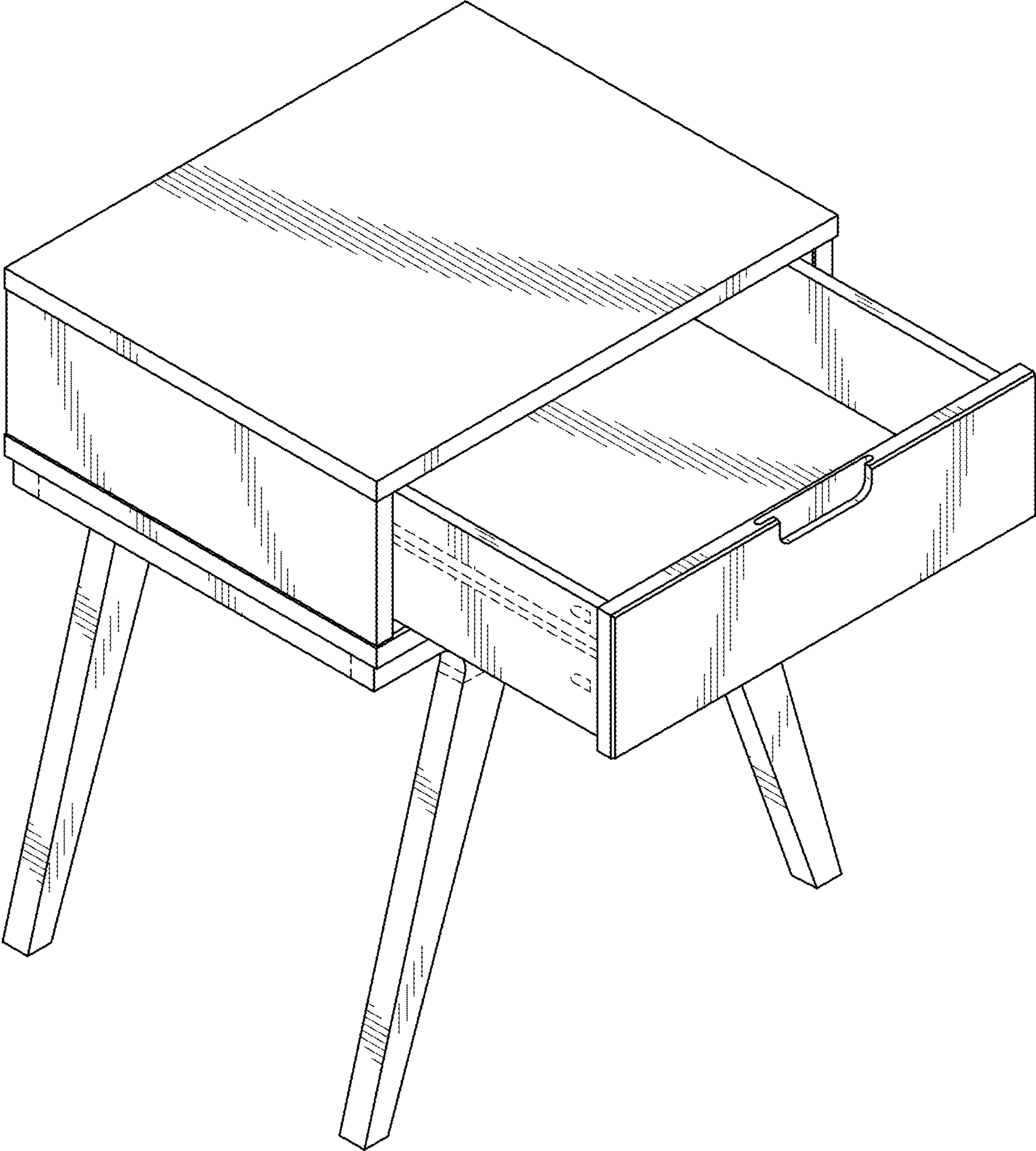


FIG. 2

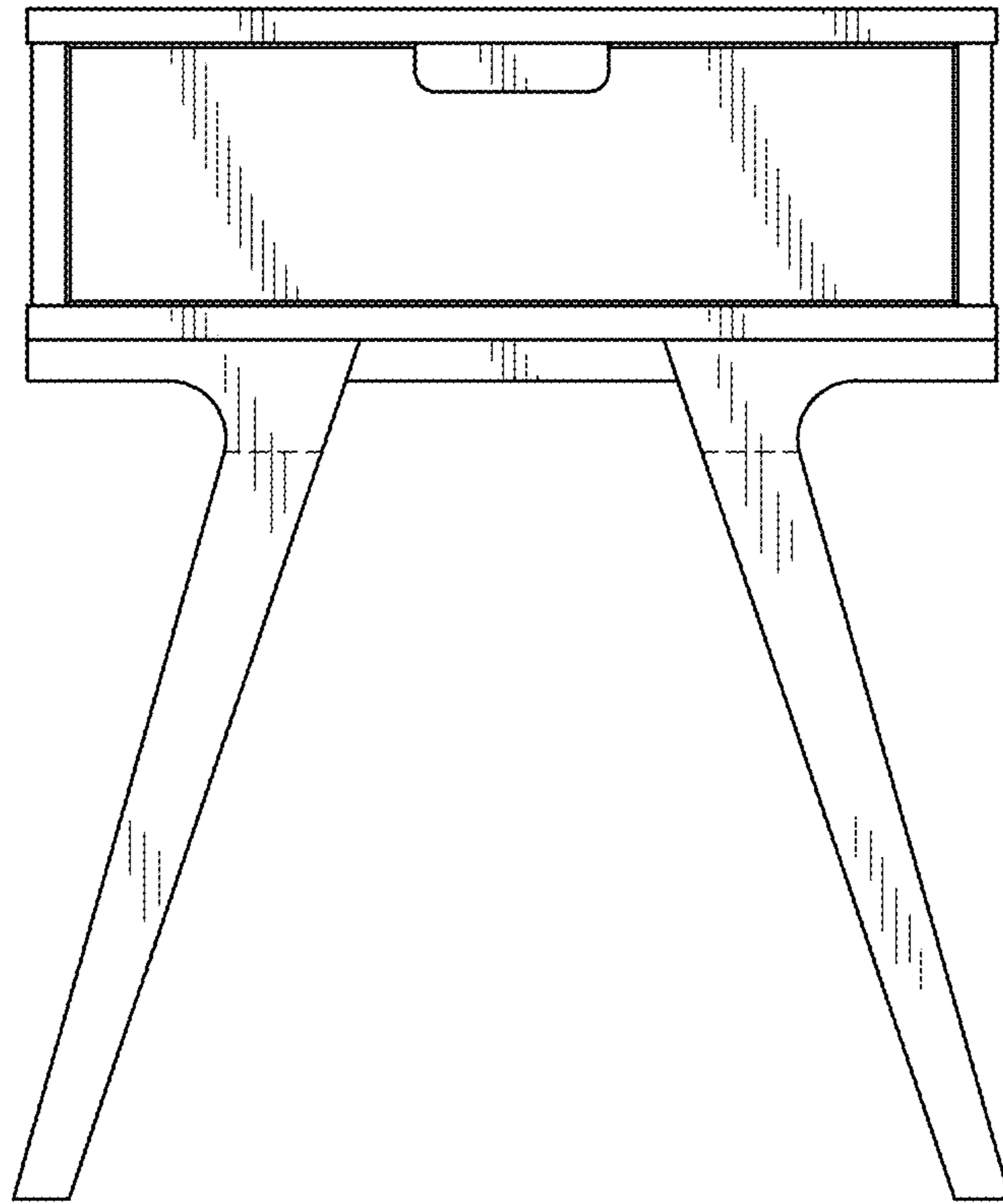


FIG. 3

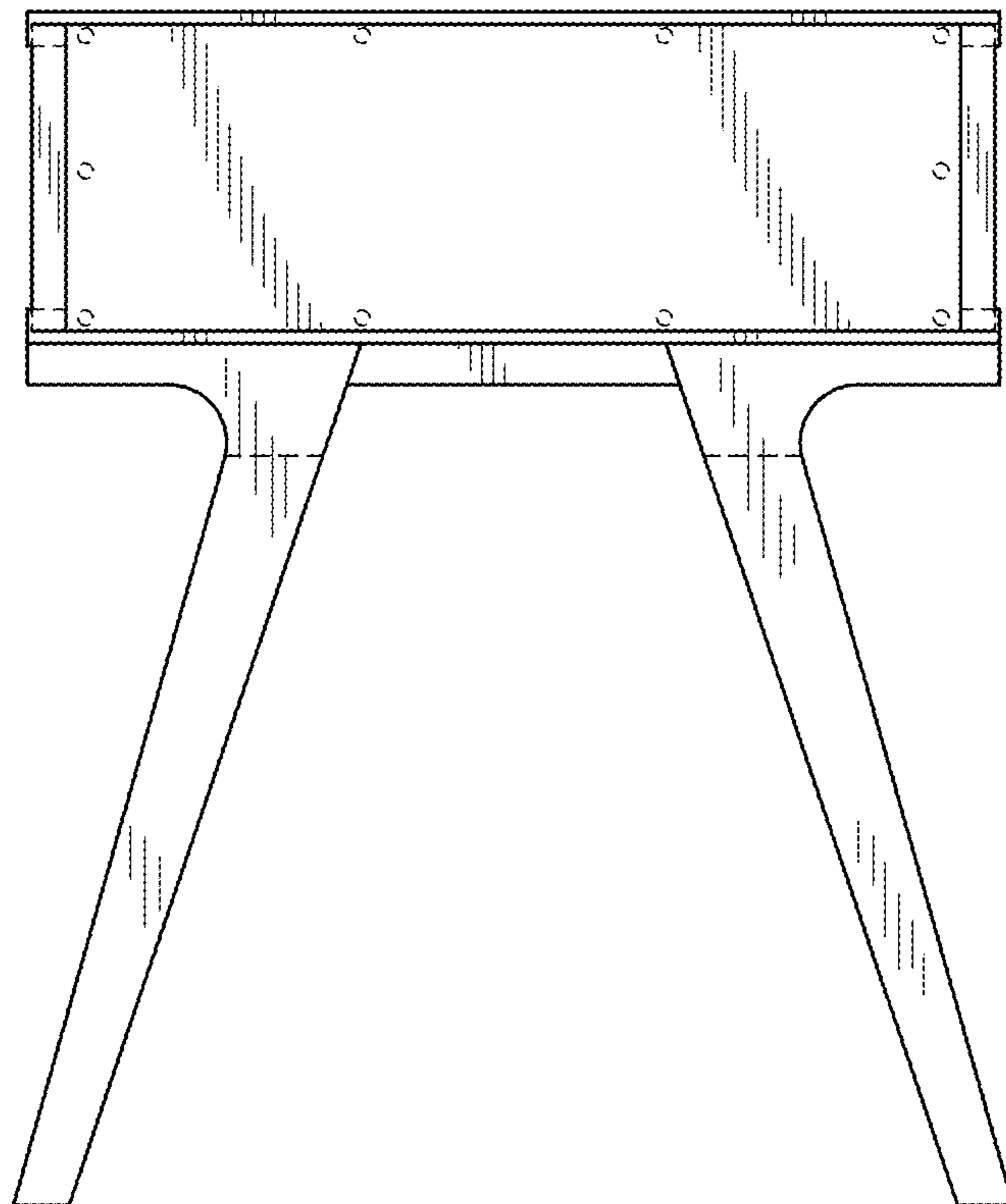


FIG. 4

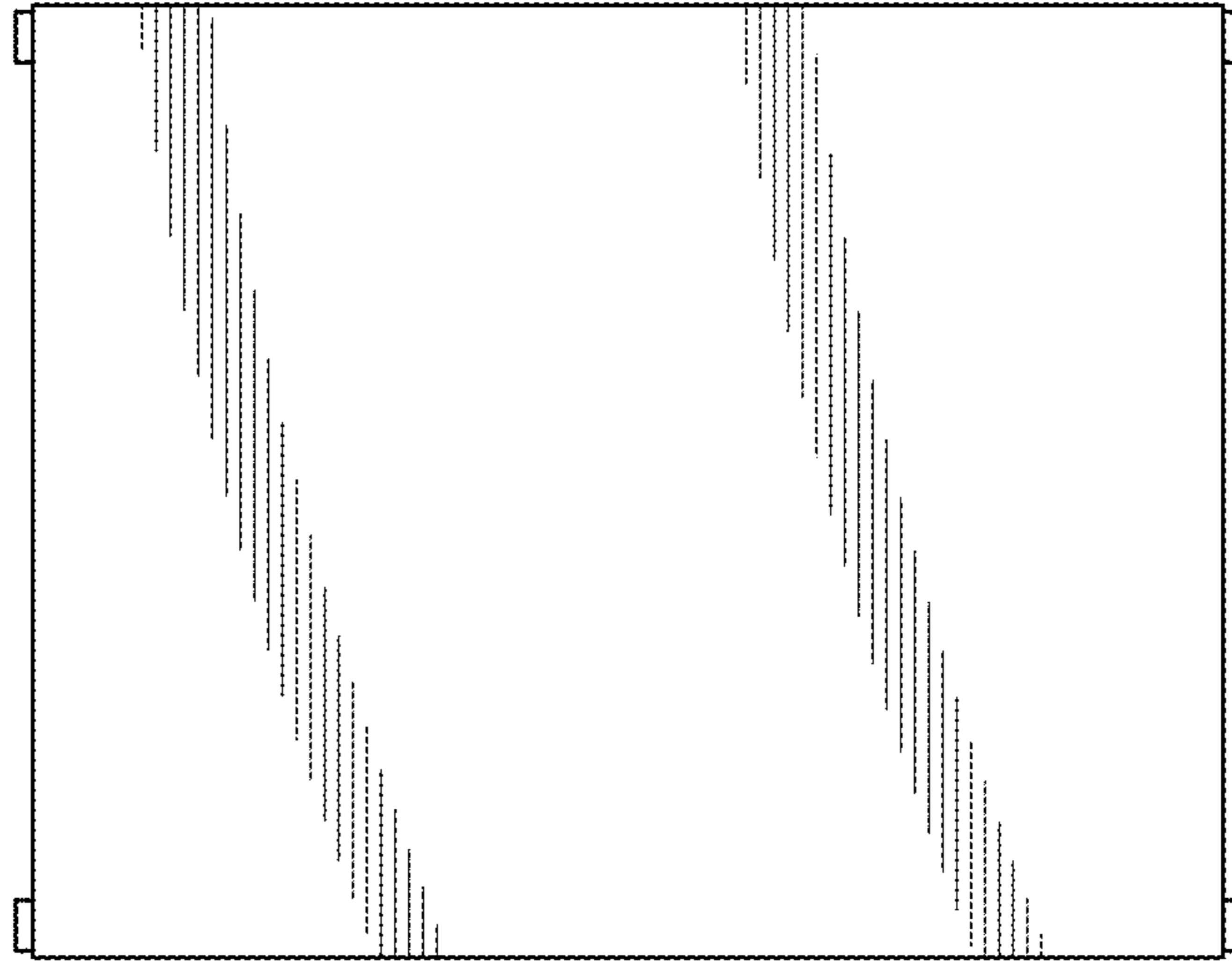


FIG. 5

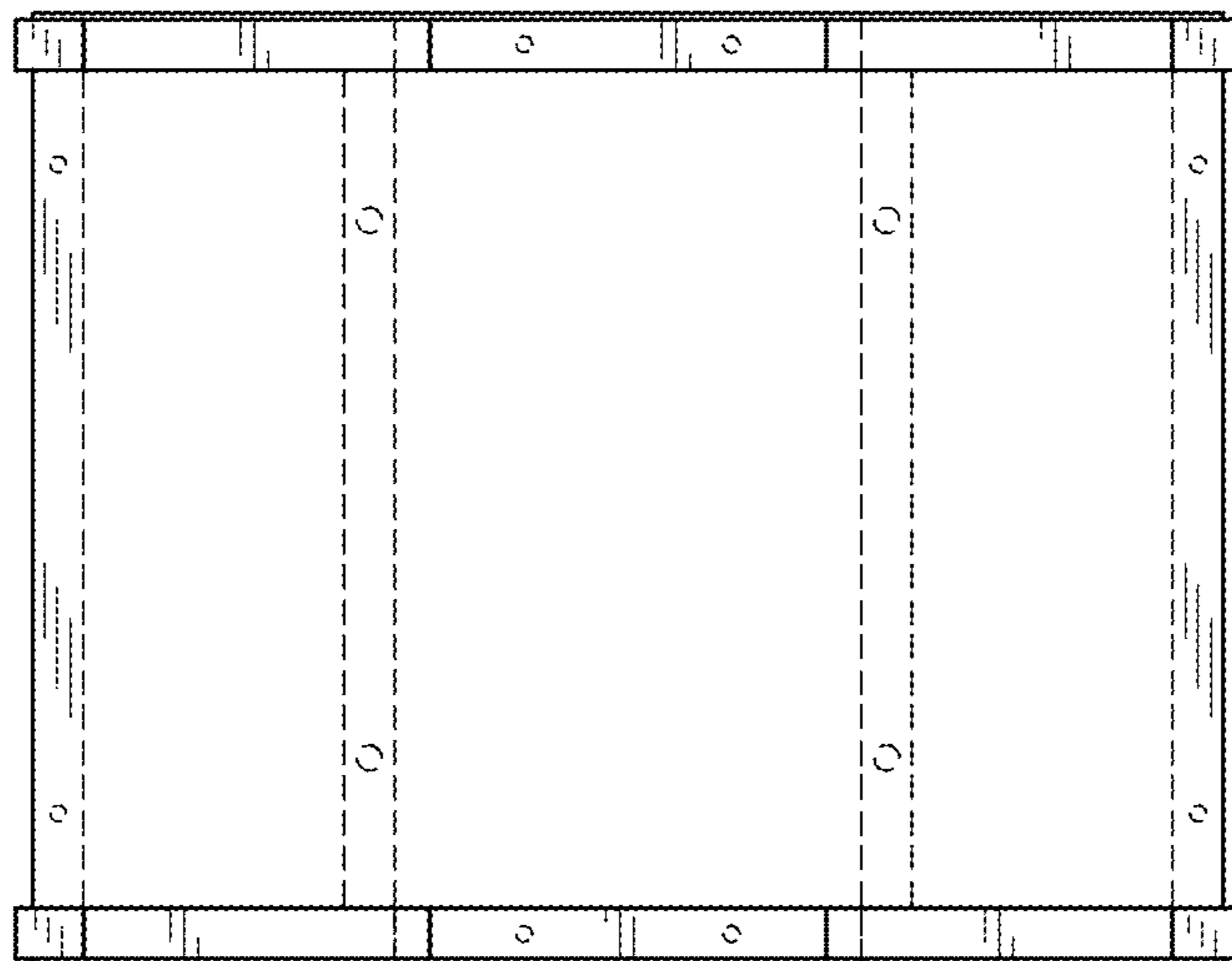


FIG. 6

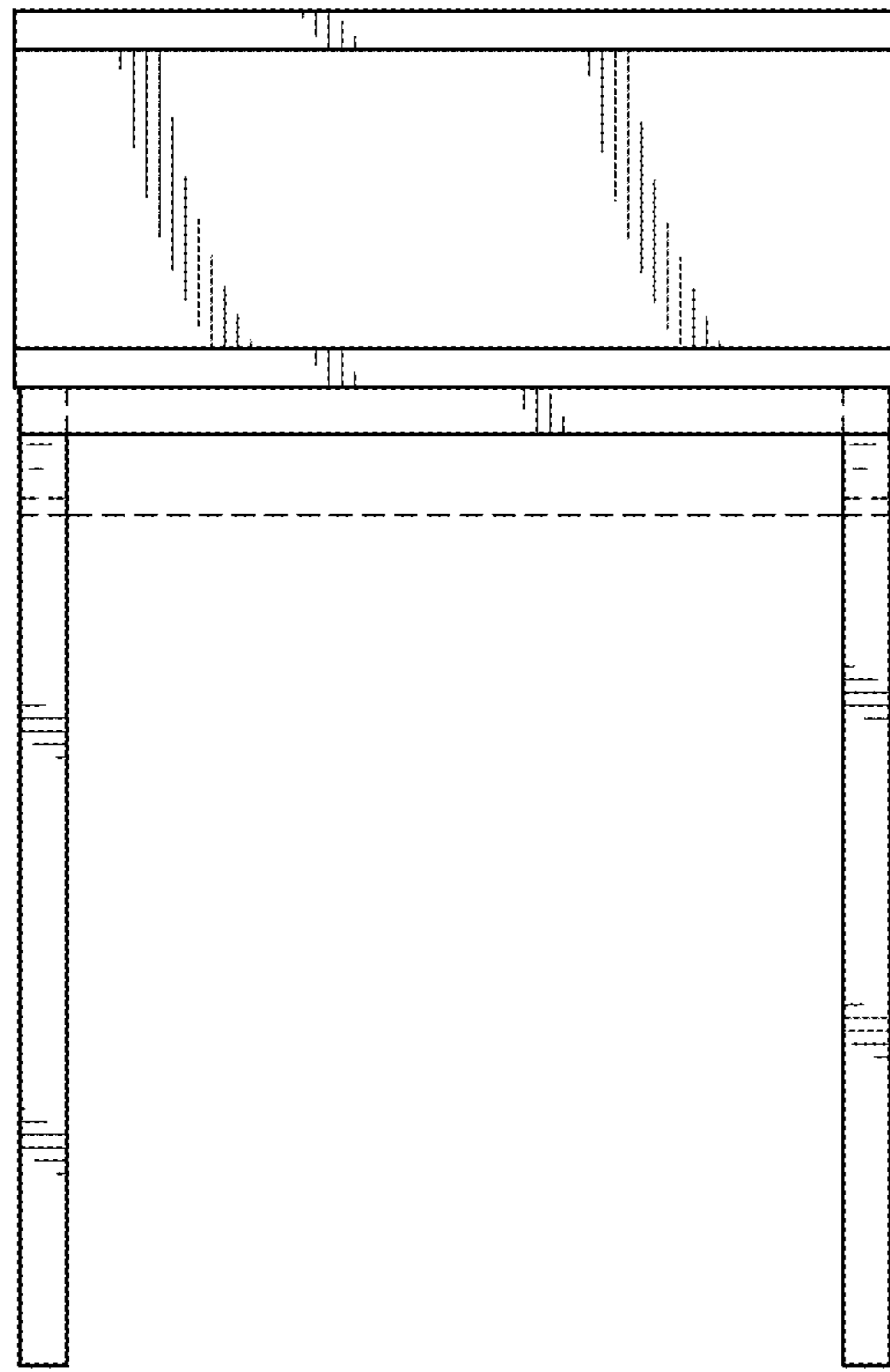


FIG. 7

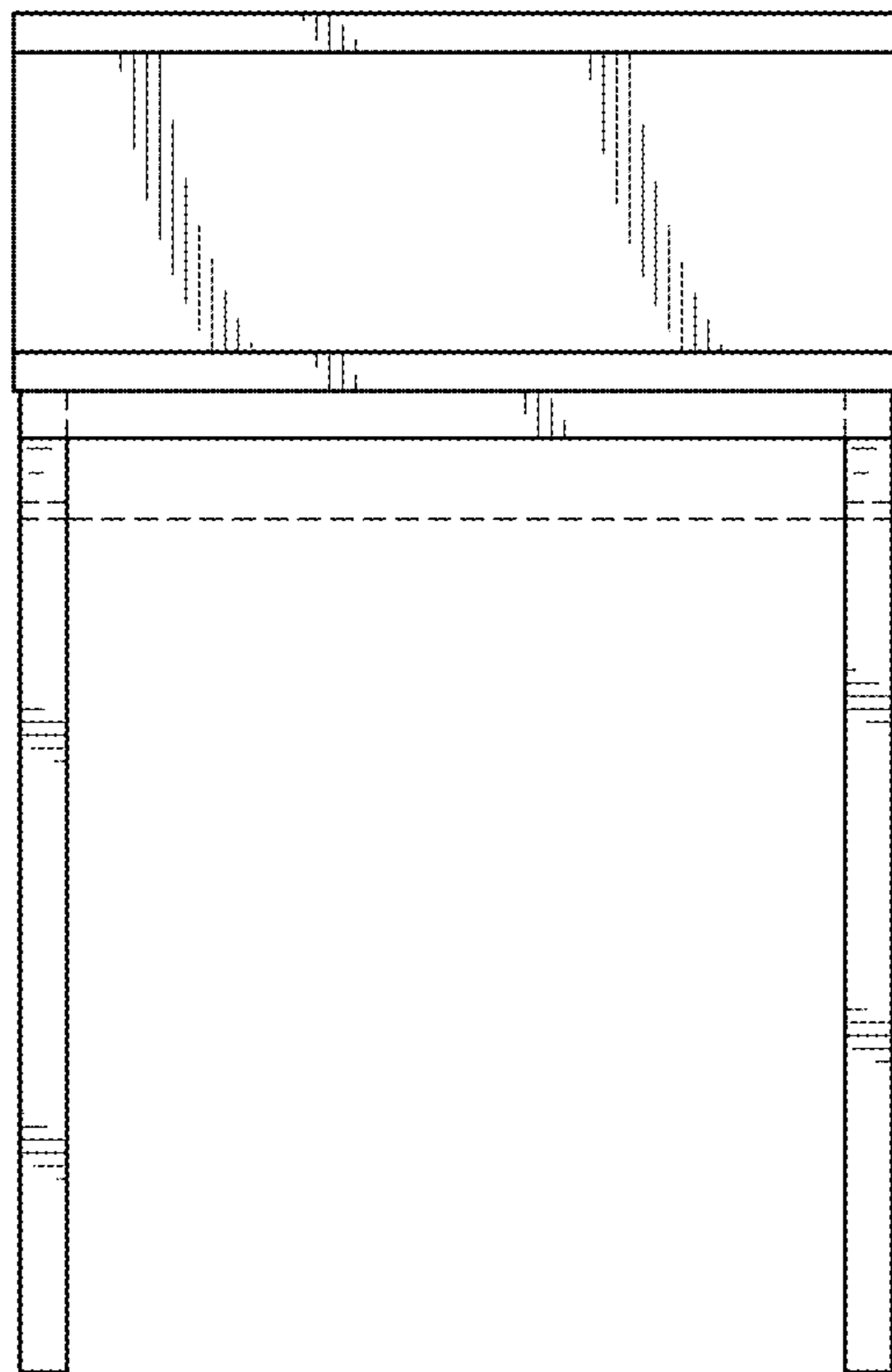


FIG. 8